



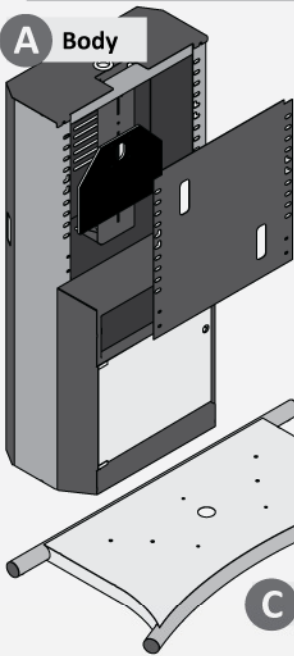
Easy Setup Guide



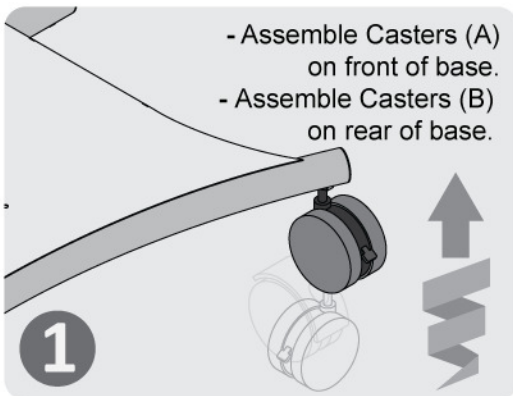
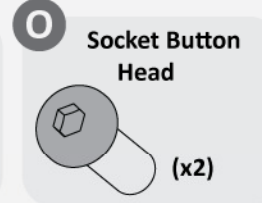
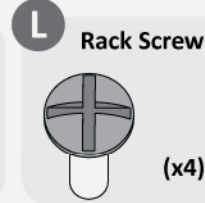
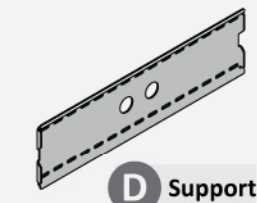
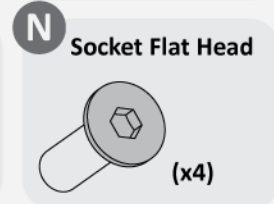
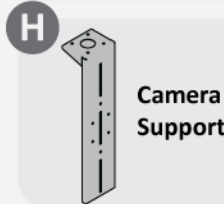
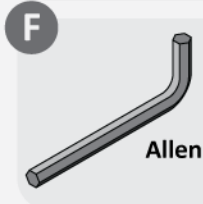
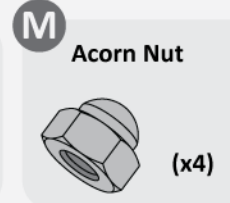
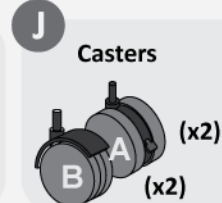
205 Westwood Ave, Long Branch, NJ 07740
Phone: 866-94 BOARDS (26273) / (732)-222-1511
Fax: (732)-222-7088 | E-mail: sales@touchboards.com

RPS 1000

Items Included

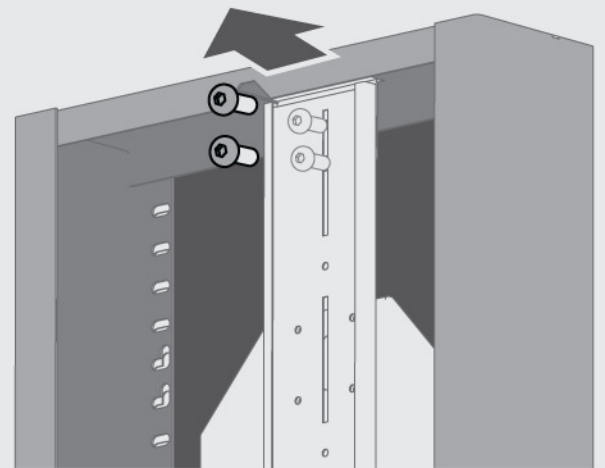


B Hanger

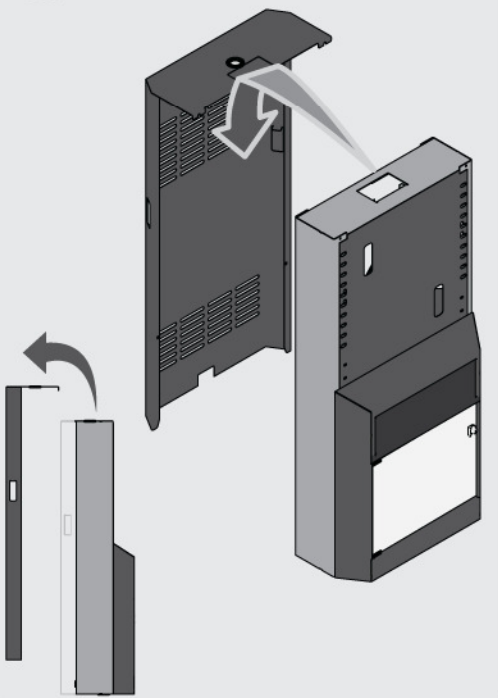


3

Unscrew the two Socket Button Head screws in rear of body.

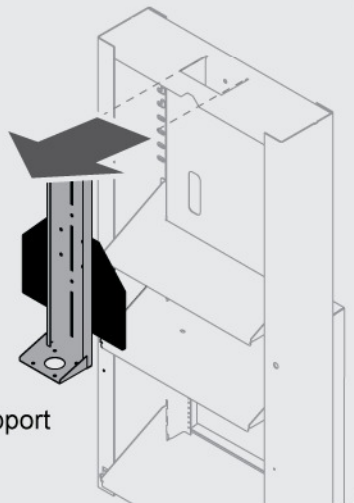


2 Lift off rear panel.



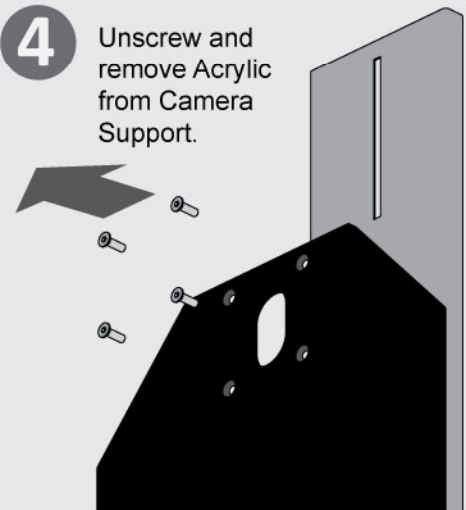
3.1

Take out Camera support and Acrylic.



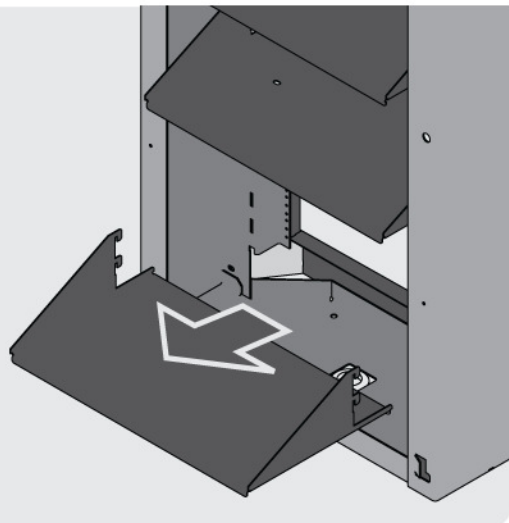
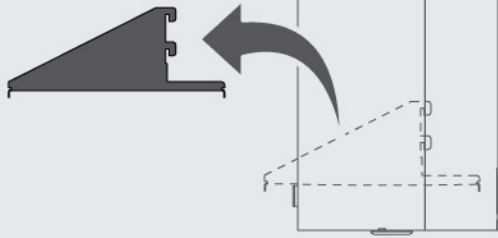
4

Unscrew and remove Acrylic from Camera Support.



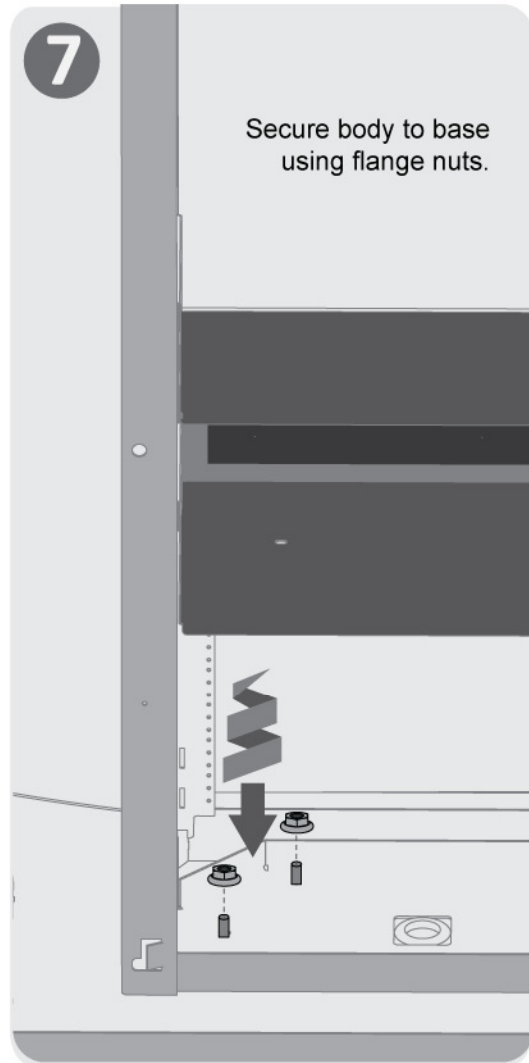
5

Remove shelf from bottom of body.



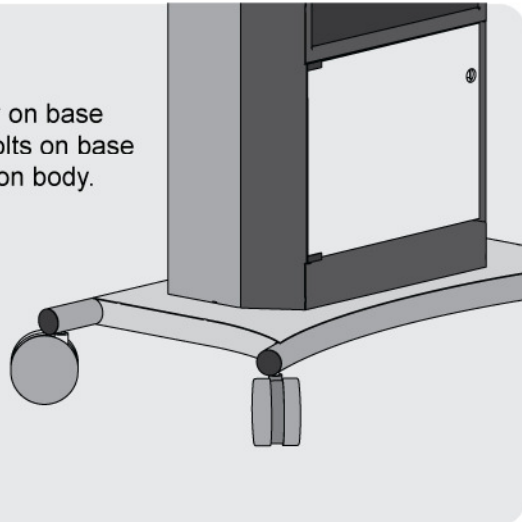
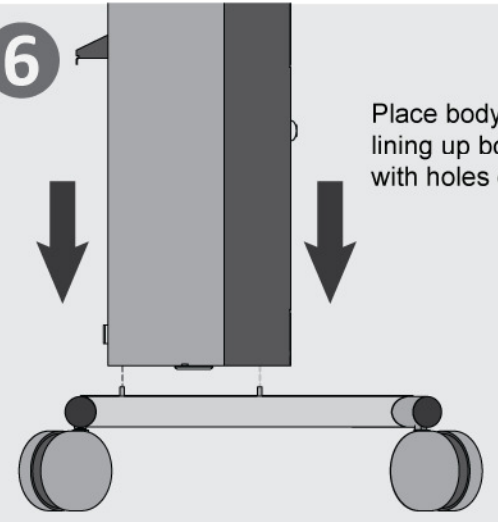
7

Secure body to base using flange nuts.



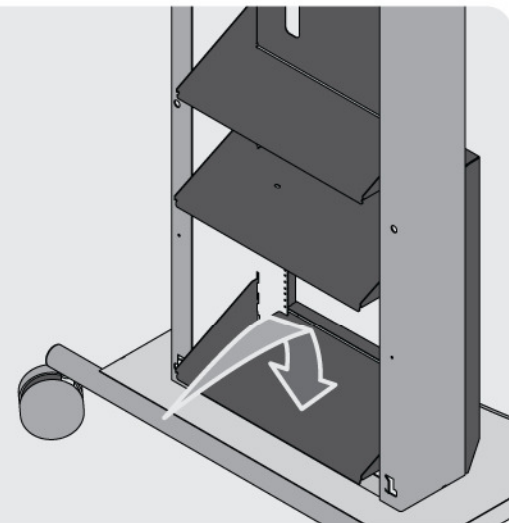
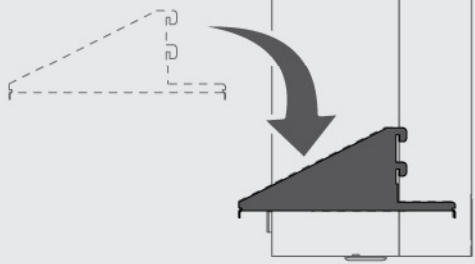
6

Place body on base lining up bolts on base with holes on body.



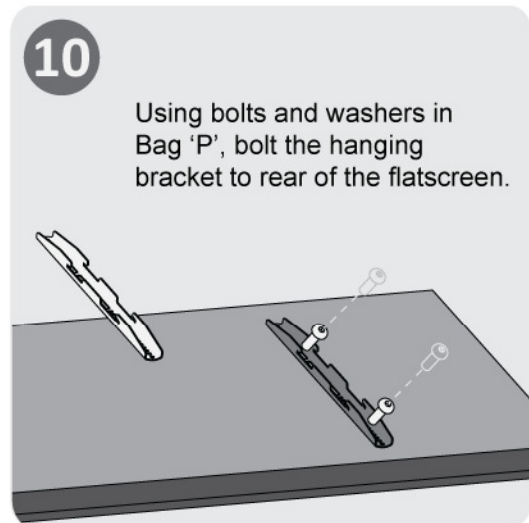
8

Replace shelf in bottom of body.



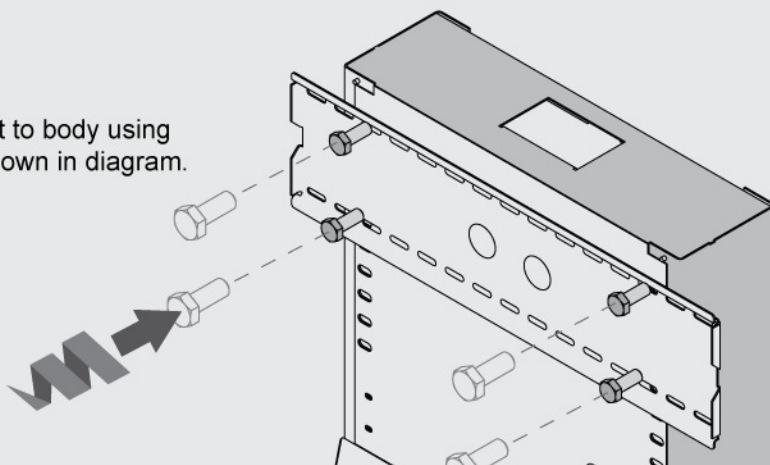
10

Using bolts and washers in Bag 'P', bolt the hanging bracket to rear of the flatscreen.



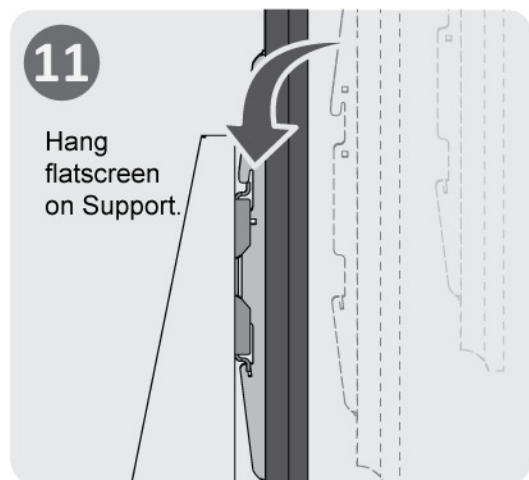
9

Secure Support to body using four bolts as shown in diagram.



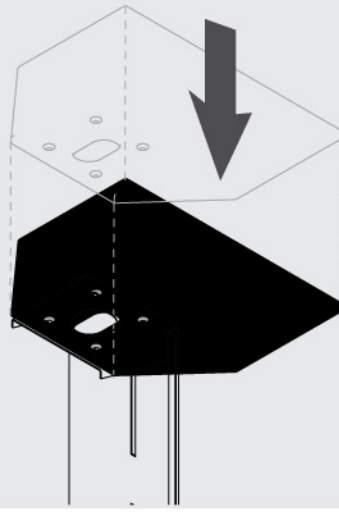
11

Hang flatscreen on Support.



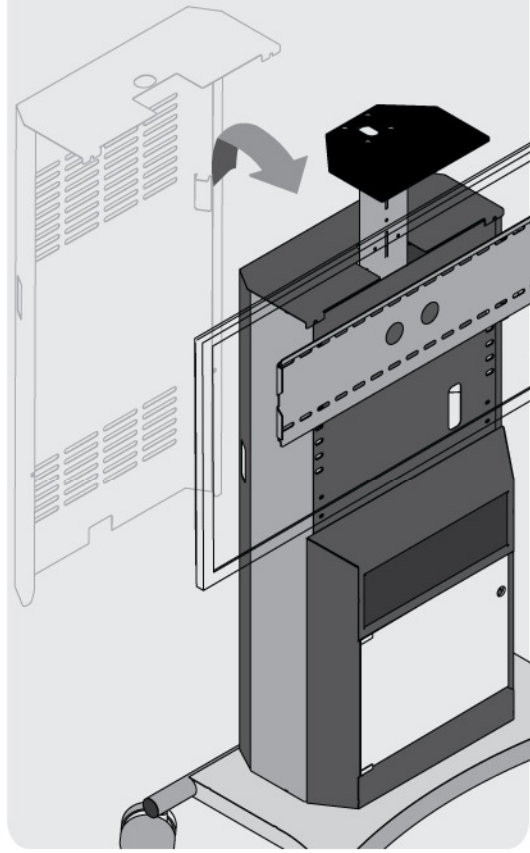
12

Place acrylic on camera bracket.



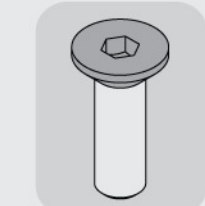
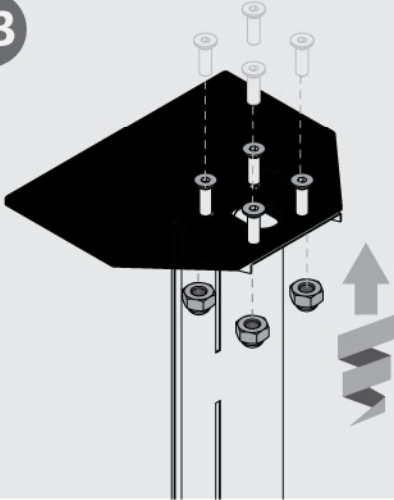
16

Replace rear panel onto to body.



13

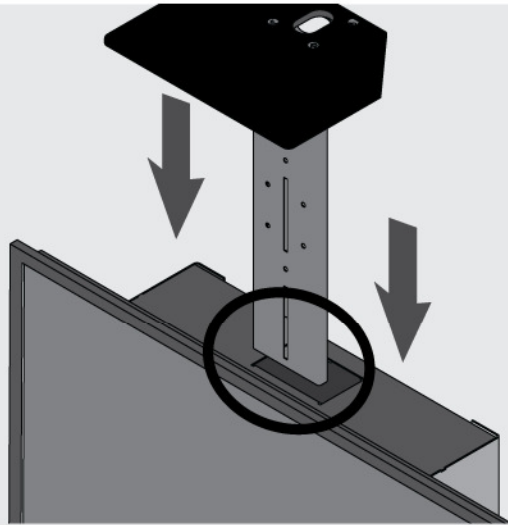
Secure acrylic platform using socket flat head bolts and acorn nuts.



Socket Flat Head

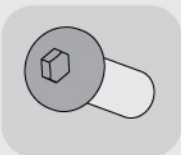
14

Slide Camera Platform into hole on top of body.

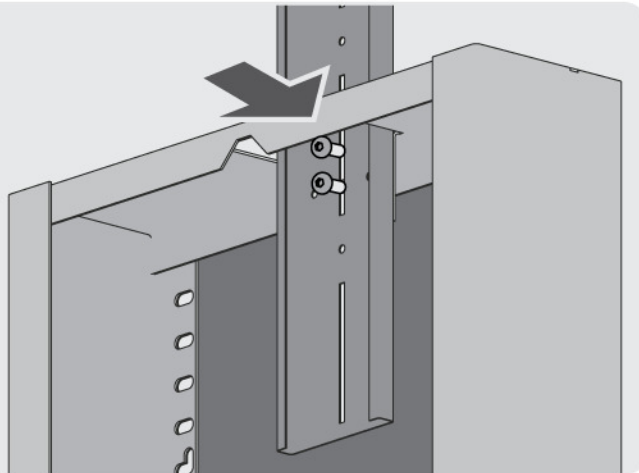


15

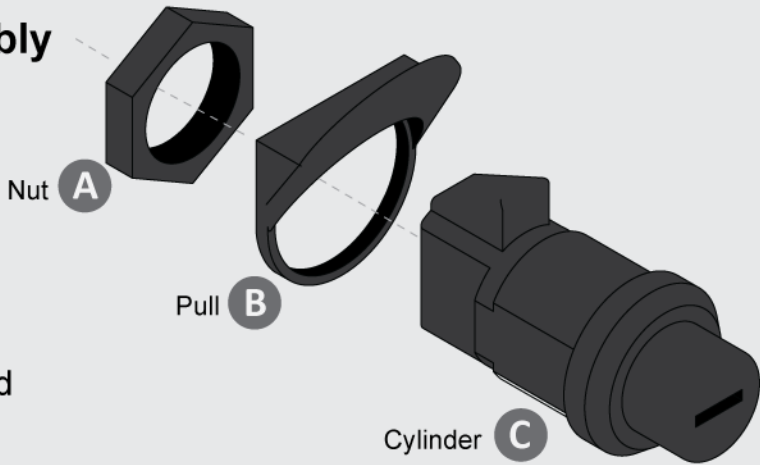
Secure Camera Platform at desired height using two Socket Button Head bolts.



Socket Button Head



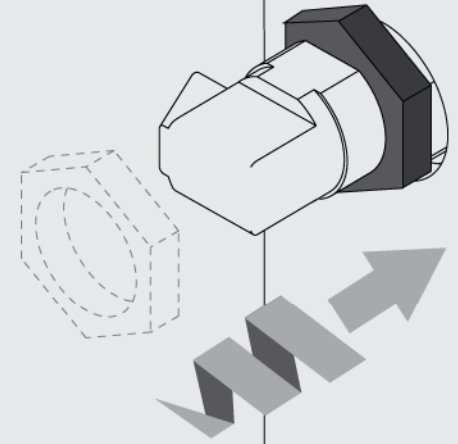
Lock Assembly



Items Included

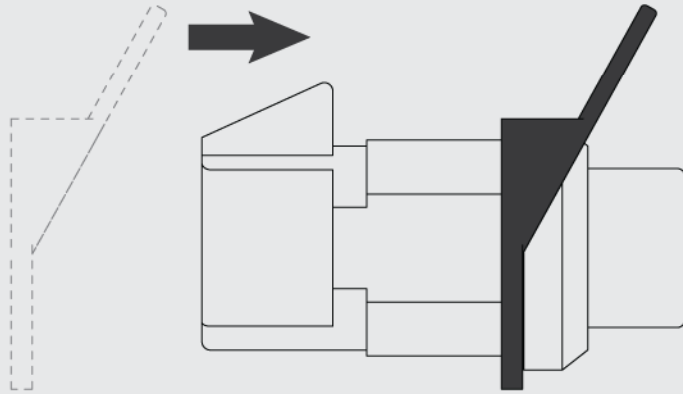
3

Twist Nut onto Cylinder as shown in diagram. Ensure that it is placed in the correct position as shown in diagram.



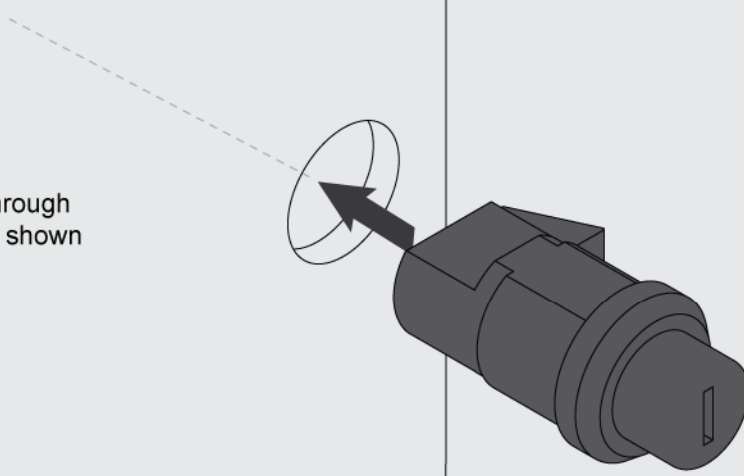
1

Slide Pull over Cylinder. The flange of the pull must be as shown in diagram.



2

Slide cylinder through hole in glass as shown in diagram.



Touchboards

205 Westwood Ave, Long Branch, NJ 07740
Phone: 866-94 BOARDS (26273) / (732)-222-1511
Fax: (732)-222-7088 | E-mail: sales@touchboards.com

AVTEQ

RPS 1000