

1

FRONT

B

F

Attach casters (F) to base (B).
 Note: Casters with brakes should be assembled on front.

2

A

B

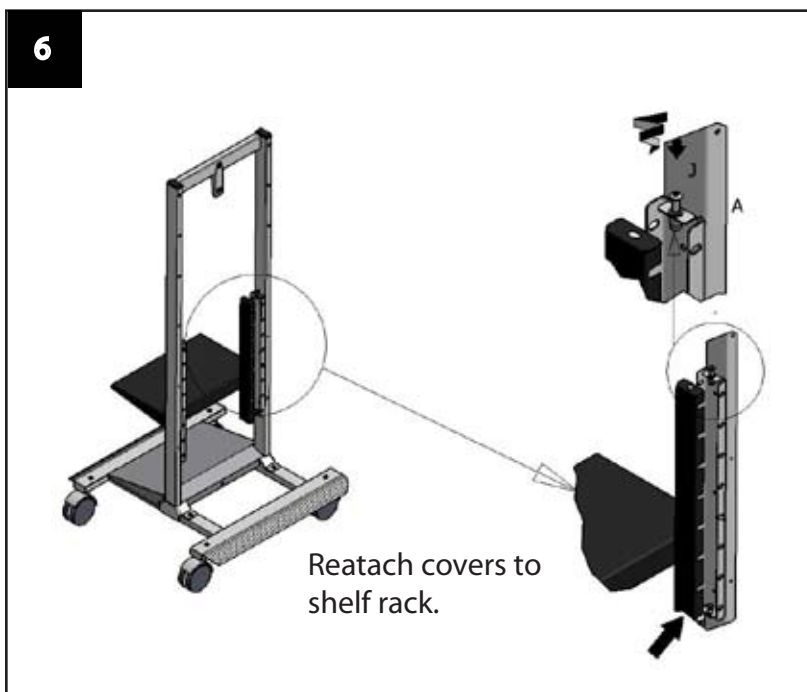
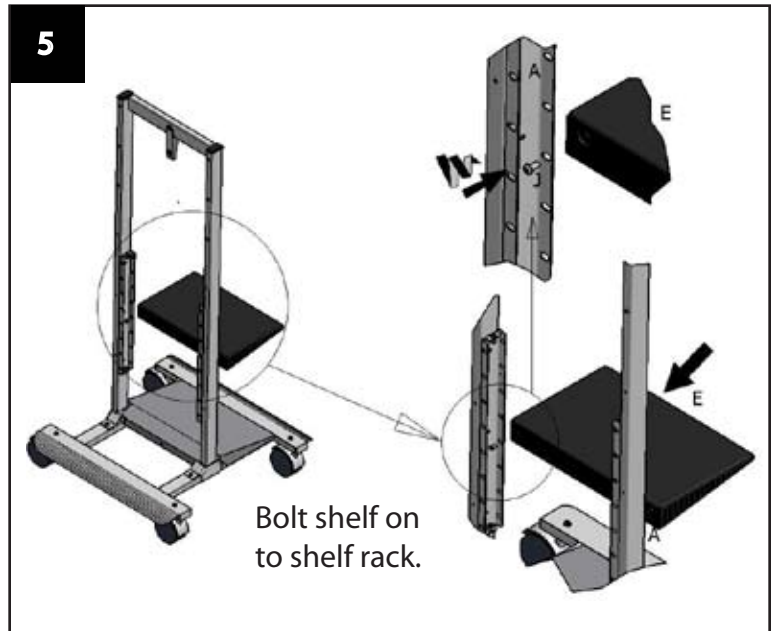
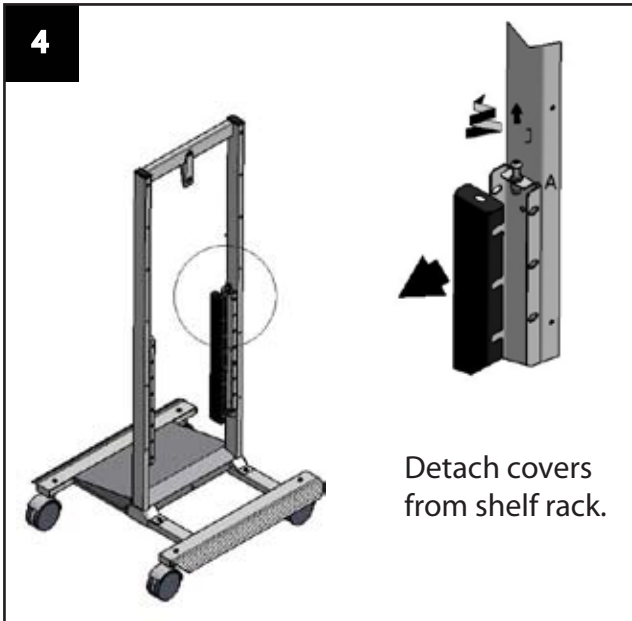
Attach base (B) to body (A).

3

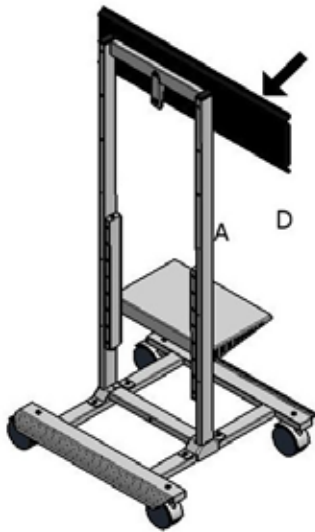
A

C

Insert and attach panel (C) to body (A).



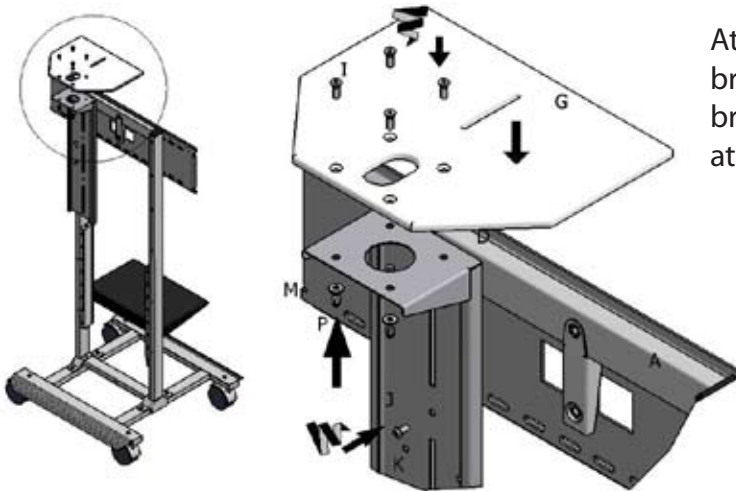
7



Attach screen support (D) to body (A).

NOTE: See instructions inside screen support box to mount flat screen on cart. Please secure the flat screen to the cart at desired height before moving on to step 8.

8



Attach acrylic (G) to bracket (K). Then attach bracket (K) to body (A) at desired height.