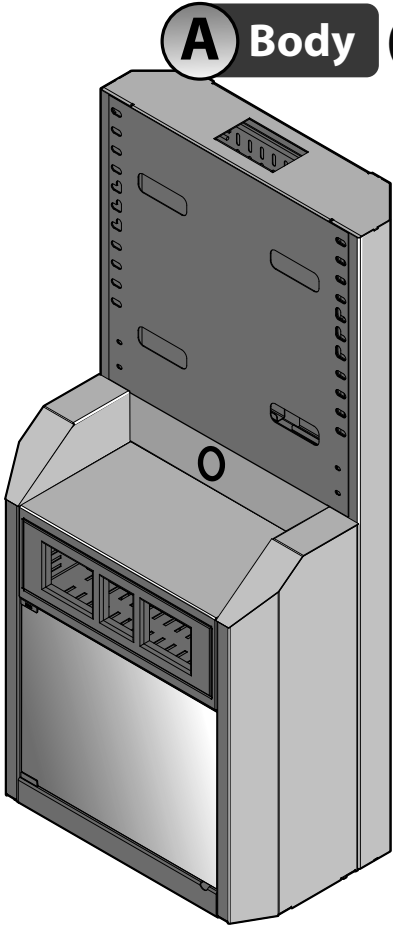


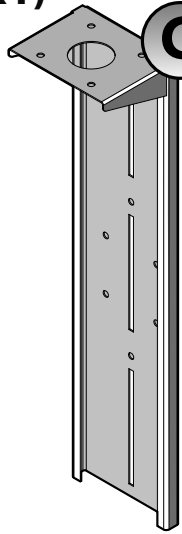
# RPS800

# Items Included

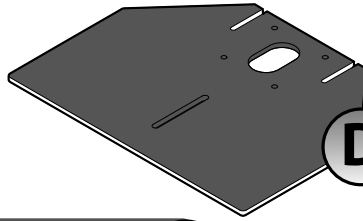
**A** Body (x1)



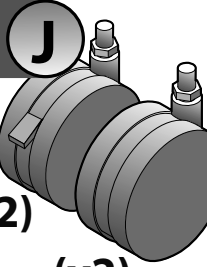
**C** Camera Support (x1)



**D** Acrylic Platform (x1)



Caster Braker

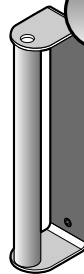


(x2)

(x2)

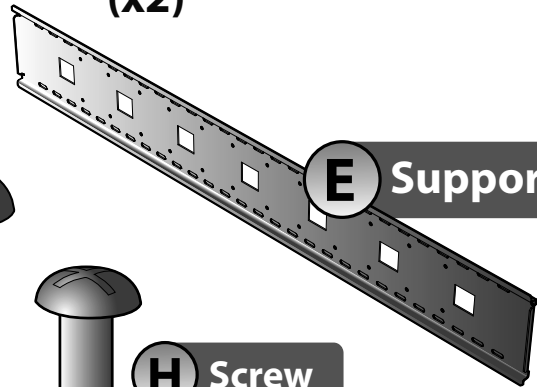
**I** Caster

**F** Handle (x2)

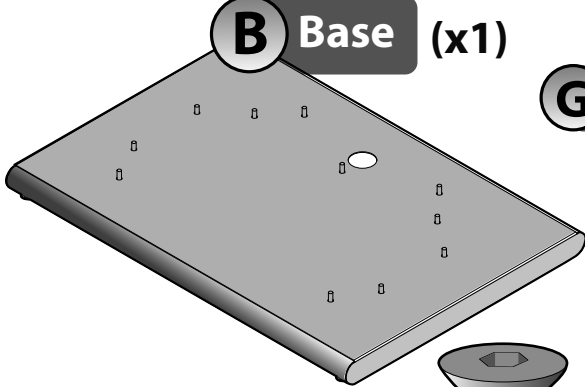


(x2)

**E** Support (x1)



**B** Base (x1)

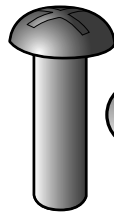


**G** Screw

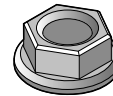


5/16x1 1/4" (x4)

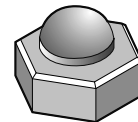
**H** Screw



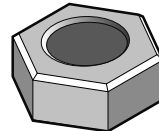
1/4x3/4 (x2)



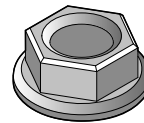
**K** Flange Nut 1/4" (x4)



**L** Acorn Nut 1/4" (x4)

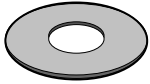


**M** Regular Nut 5/16" (x4)



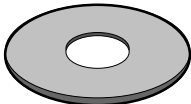
**N** Flange Nut 5/16" (x11)

**P** Washer



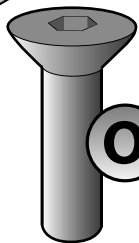
3/4" (x8)

**Q** Washer



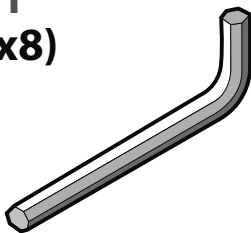
1" (x8)

**O** Socket Flat Head

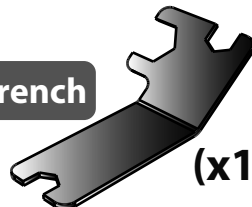


1/4"x3/4" (x4)

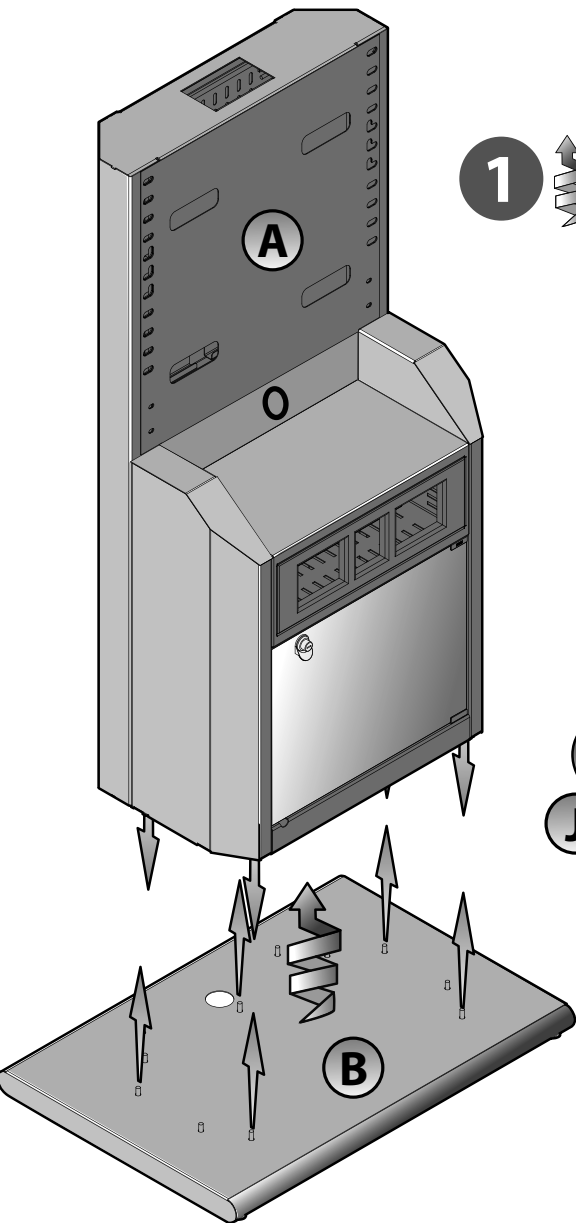
**R** Allen (x1)



**S** Multi Wrench

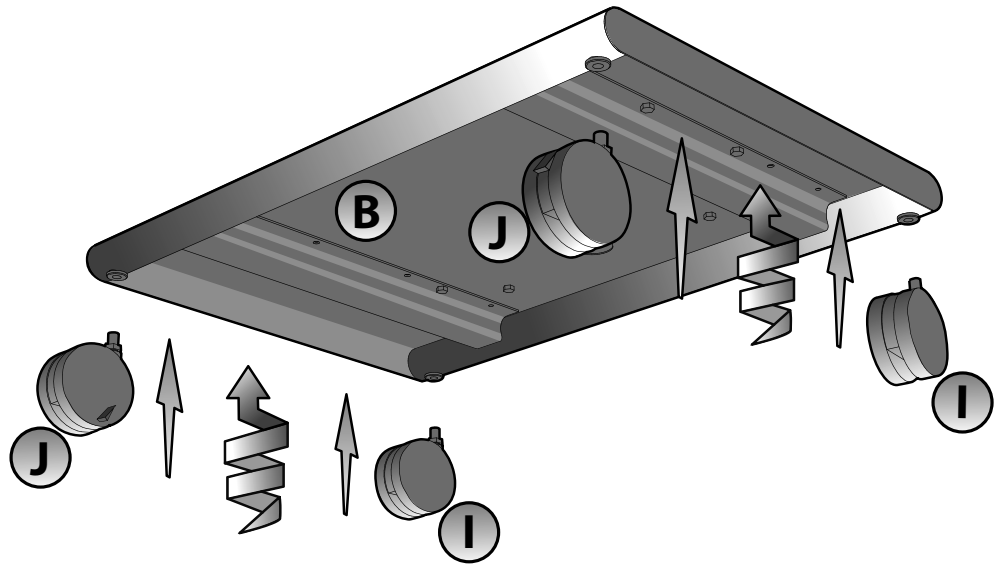
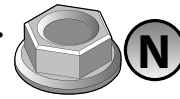


(x1)



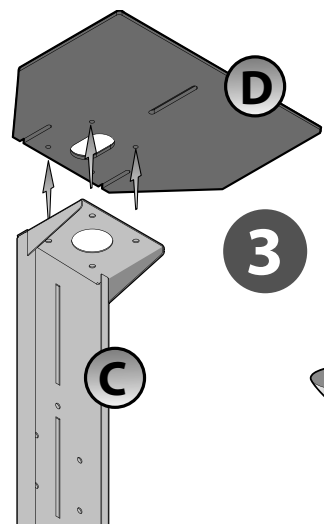
**1**

Place body(A) on base lining up bolts on base with holes on body(A), then secure the joint using flange nuts.



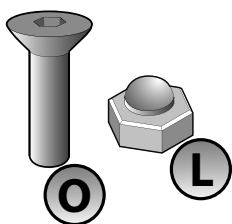
**2**

Assemble Casters (I, J) to base (B). Two in front with brake and two in the back without brake.

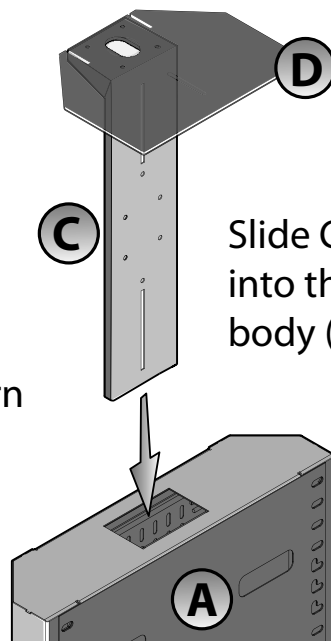


**3**

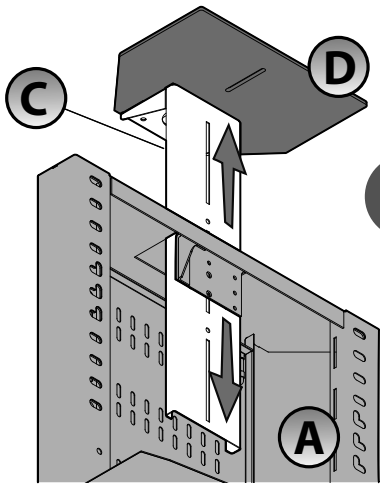
Assemble Acrylic Platform (D) to Camera Support (C) using 4 sockets flat head (O) and 4 acorn nuts (L)



**4**



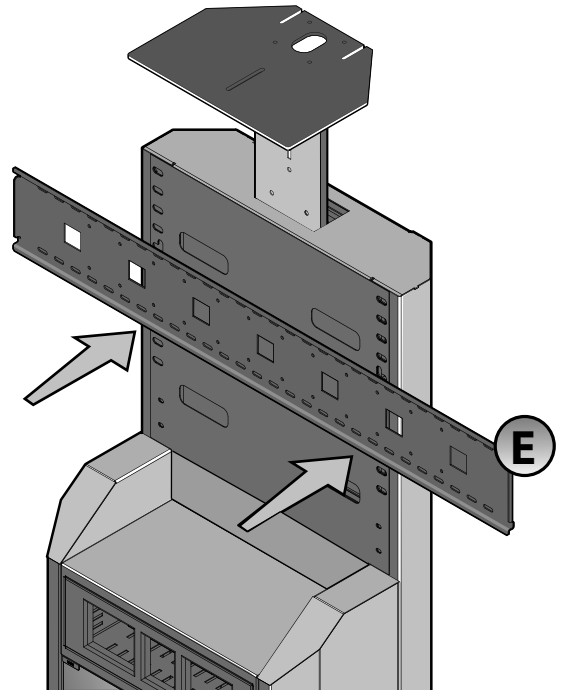
Slide Camera Support (C) into the hole on top of body (A)



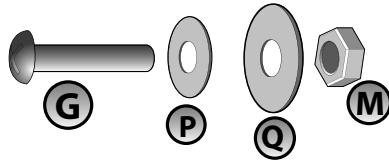
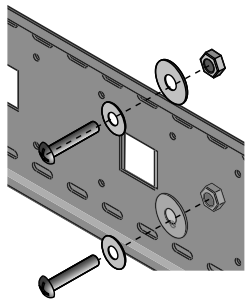
**5** Adjust Camera Support (C) height according to the size of your TV and then secure the position using two 1/4"x3/4" screws



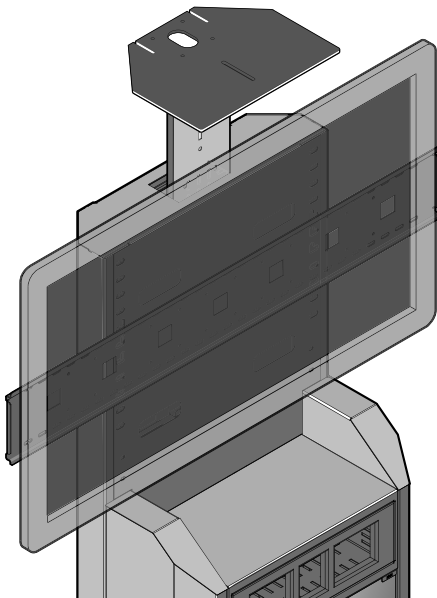
**6**



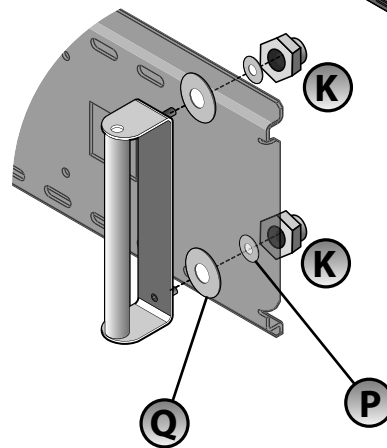
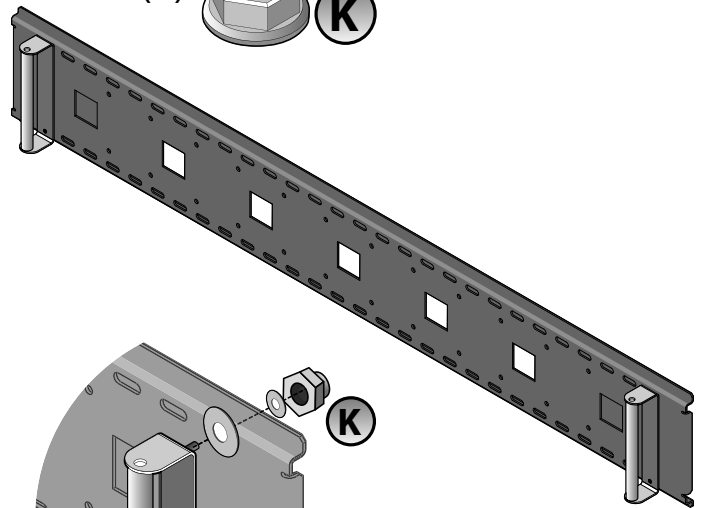
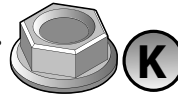
Refer to wall mount instructions.



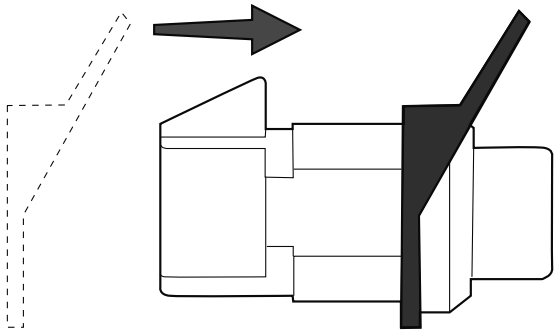
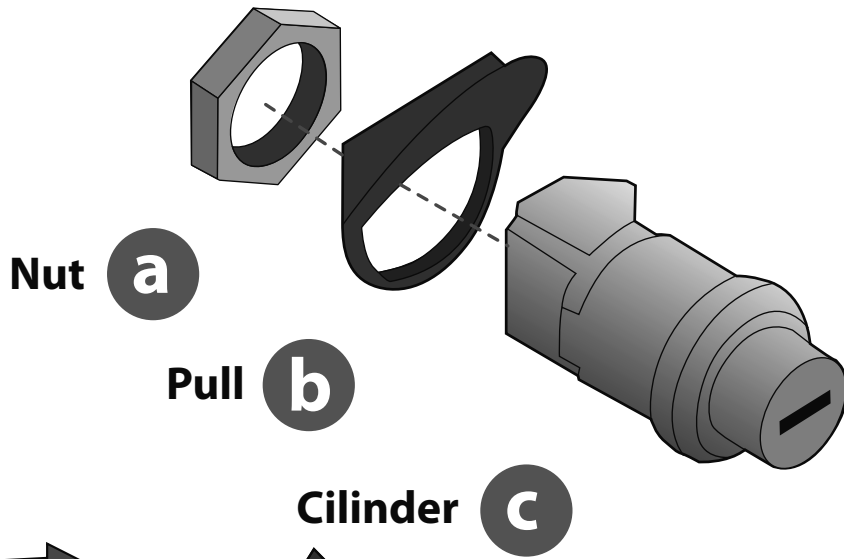
**8** Hang the TV to the Support (E)



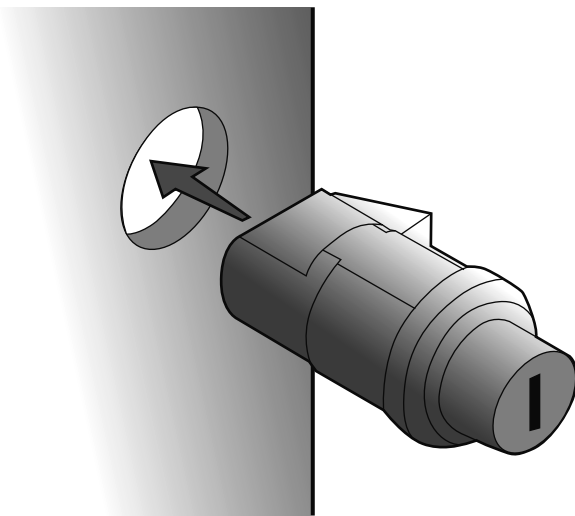
**9** Assemble the handles (F) to the support (E) using the screws on the handle and 4 flange nut (K).



# Lock Assembly



- 1** Slide Pull over Cylinder. The Flange must be as shown in the diagram



- 2** Slide Cylinder through hole in glass as shown in diagram

- 3** Twist Nut onto Cylinder as shown in diagram. Ensure that it's placed in the correct position as shown in diagram.

