

AVTEQ

Easy Setup Guide

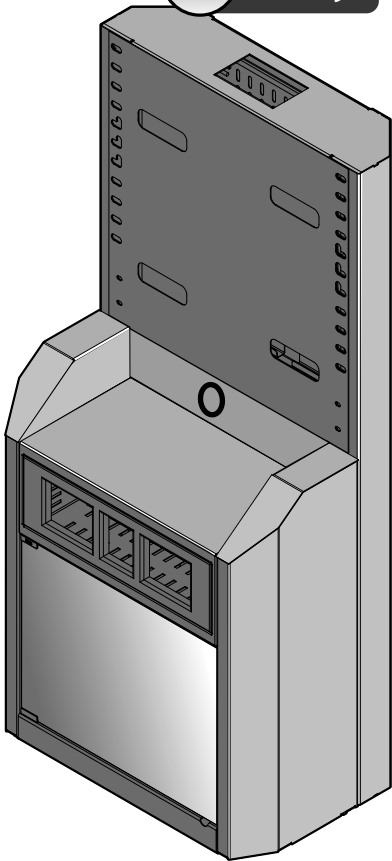
Touchboards

205 Westwood Ave, Long Branch, NJ 07740
Phone: 866-94 BOARDS (26273) / (732)-222-1511
Fax: (732)-222-7088 | E-mail: sales@touchboards.com

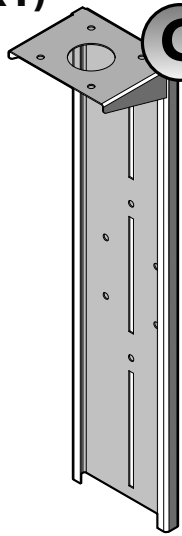
RPS800

Items Included

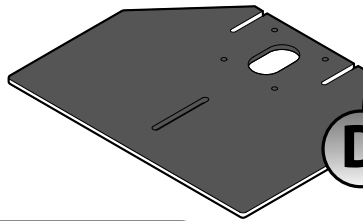
A Body (x1)



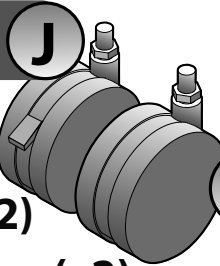
C Camera Support (x1)



D Acrylic Platform (x1)



Caster Braker

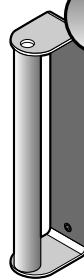


(x2)

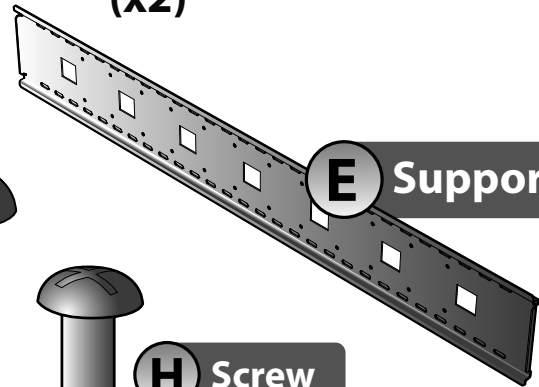
(x2)

I Caster

F Handle (x2)

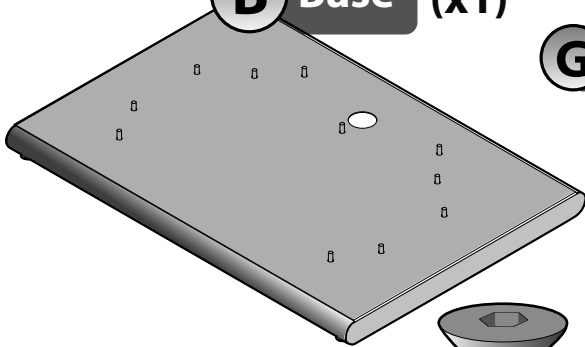


(x2)



E Support (x1)

B Base (x1)

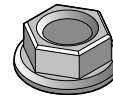


G Screw

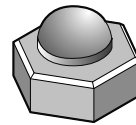
5/16x1 1/4" (x4)

H Screw

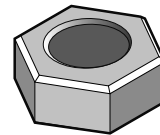
1/4x3/4 (x2)



K Flange Nut 1/4" (x4)

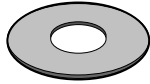


L Acorn Nut 1/4" (x4)



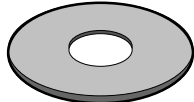
M Regular Nut 5/16" (x4)

P Washer



3/4" (x8)

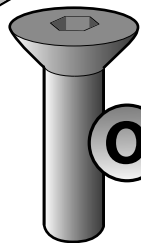
Q Washer



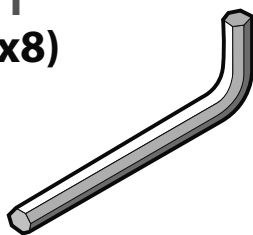
1" (x8)

O Socket Flat Head

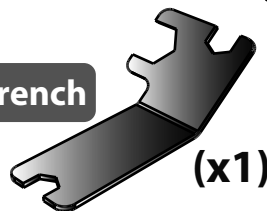
1/4"x3/4" (x4)



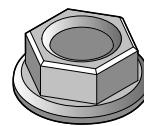
R Allen (x1)



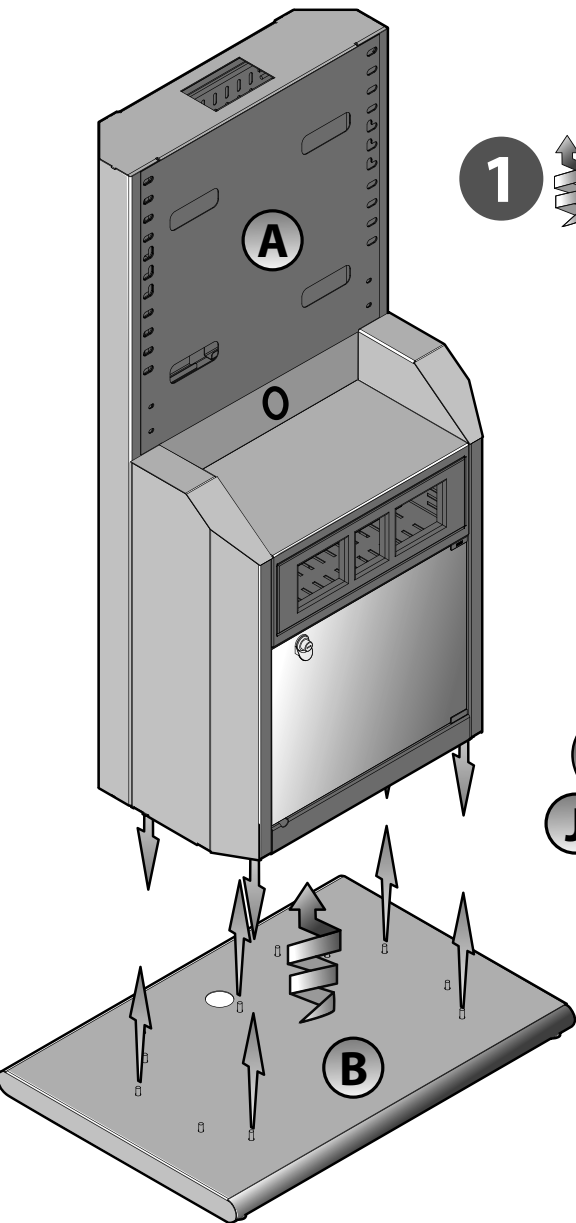
S Multi Wrench



(x1)

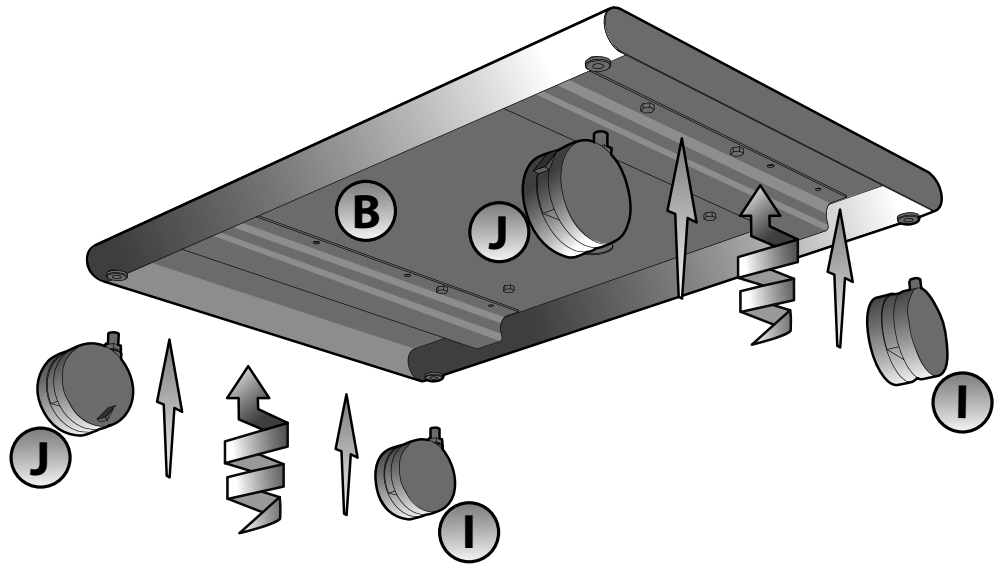
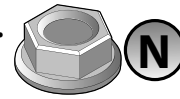


N Flange Nut 5/16" (x11)



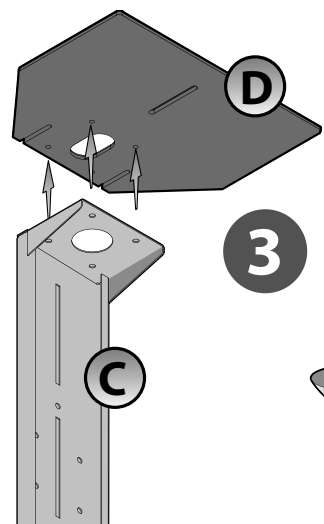
1

Place body(A) on base lining up bolts on base with holes on body(A), then secure the joint using flange nuts.



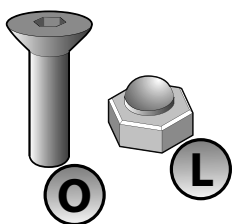
2

Assemble Casters (I, J) to base (B). Two in front with brake and two in the back without brake.



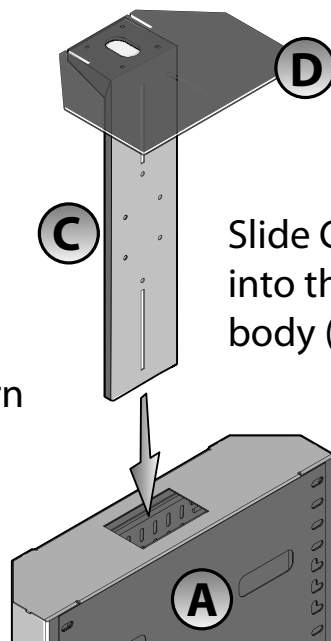
3

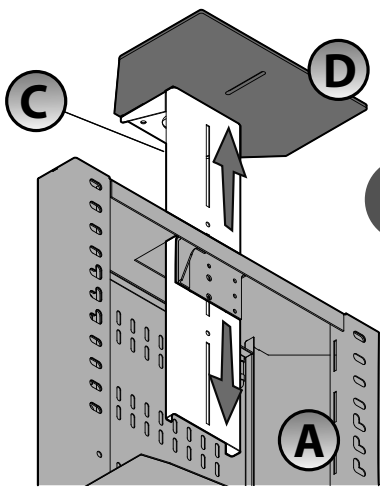
Assemble Acrylic Platform (D) to Camera Support (C) using 4 sockets flat head (O) and 4 acorn nuts (L)



4

Slide Camera Support (C) into the hole on top of body (A)

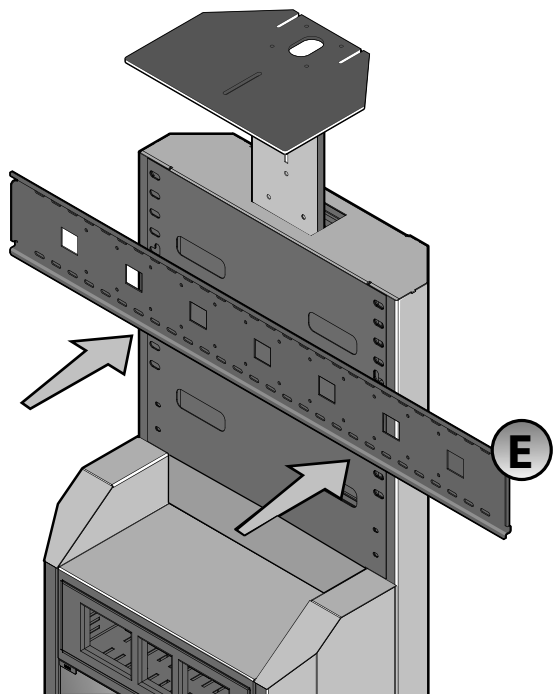




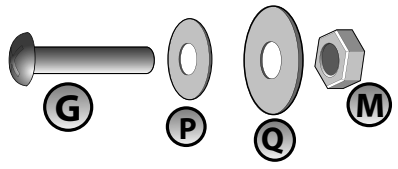
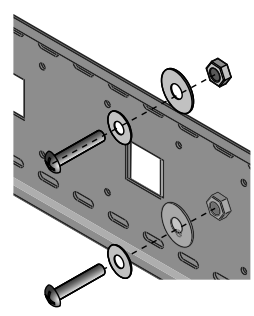
5 Adjust Camera Support (C) height according to the size of your TV and then secure the position using two 1/4"x3/4" screws



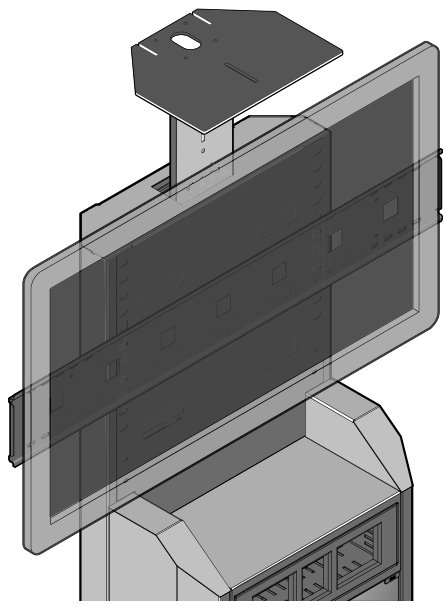
6



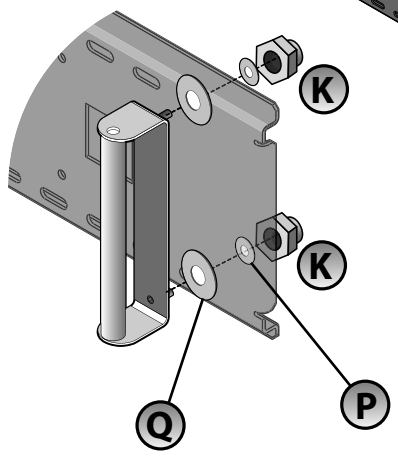
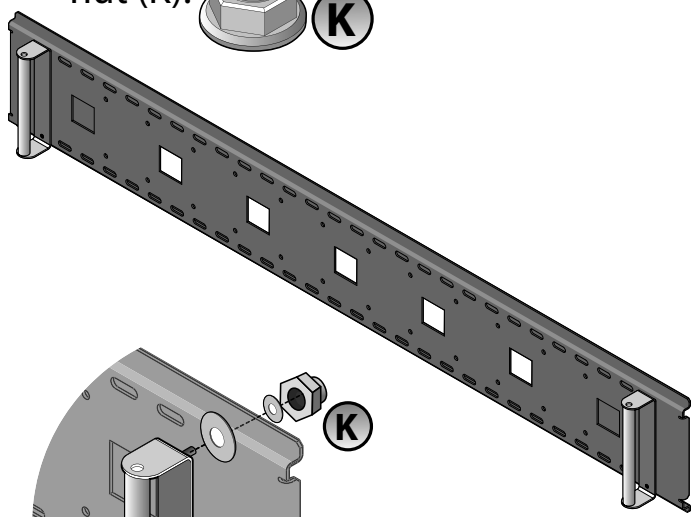
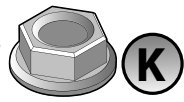
Refer to wall mount instructions.



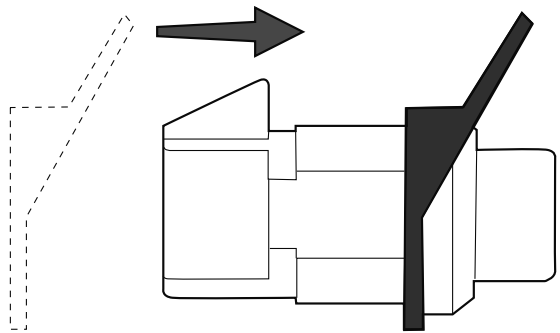
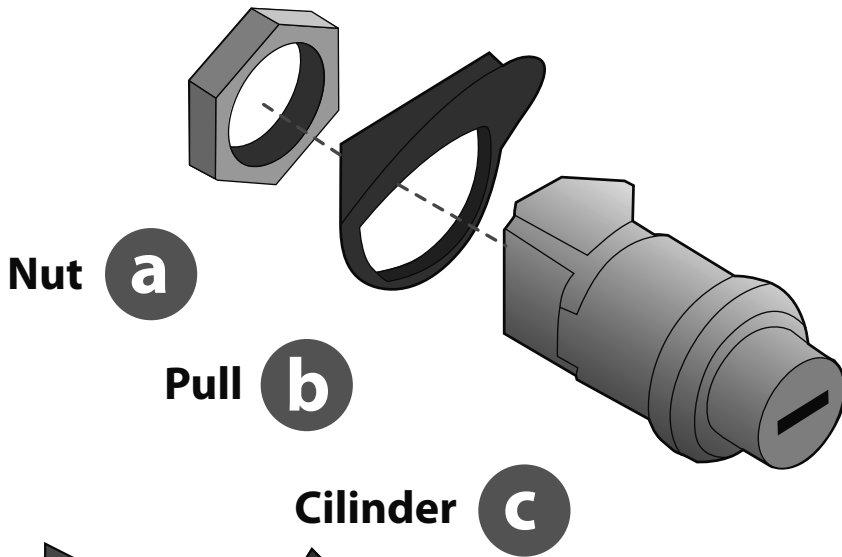
8 Hang the TV to the Support (E)



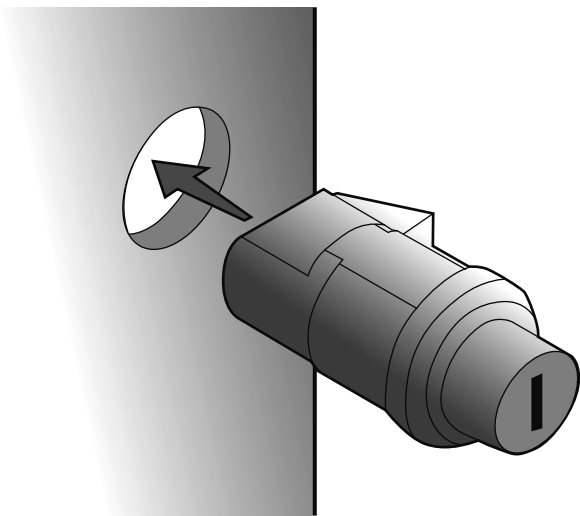
9 Assemble the handles (F) to the support (E) using the screws on the handle and 4 flange nut (K).



Lock Assembly

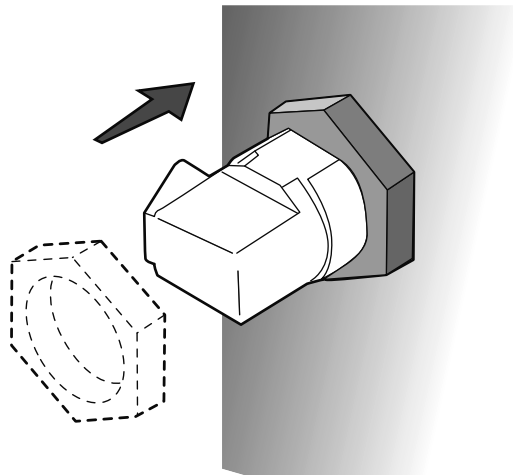


1 Slide Pull over Cylinder. The Flange must be as shown in the diagram



2 Slide Cylinder through hole in glass as shown in diagram

3 Twist Nut onto Cylinder as shown in diagram. Ensure that it's placed in the correct position as shown in diagram.



Touchboards

205 Westwood Ave, Long Branch, NJ 07740
Phone: 866-94 BOARDS (26273) / (732)-222-1511
Fax: (732)-222-7088 | E-mail: sales@touchboards.com