



A Message from the President

Congratulations on purchasing an Anchor Audio sound system, the choice of thousands of satisfied customers including the White House, prestigious universities, school districts nationwide, police and fire departments, and all branches of the U.S. military. Our products are made of the finest materials and built with pride in the U.S.

We've incorporated the latest technology into your sound system yet kept it simple to use. Just take a few minutes to review this manual to ensure the maximum enjoyment of your Anchor system. Or, you can view a demonstration video complete with a trouble shooting section at www.anchoraudio.com.

Feel free to call our friendly customer support staff at 1-800-ANCHOR1 Monday thru Friday between 7:00am and 5:00pm Pacific Standard Time with any questions. We love to hear from our customers.

Janet Jacobs, President
on behalf of all Anchor employees

CONTENTS

GETTING STARTED.....	1
ADMIRAL ASSEMBLY INSTRUCTIONS / INSTALL SOUND SYSTEM.....	2
ADMIRAL LECTERN TECHNICAL SPECIFICATIONS	3

GETTING STARTED

Please check your new unit carefully for any damage which may have occurred during shipment. Each Anchor product is carefully inspected at the factory and packed in specially designed boxes for safe transport.

Notify the freight carrier immediately of any damage to the shipping box or product. Repack the unit in the original box and wait for inspection by the carrier's claim agent. Notify your dealer of the pending freight claim.

NOTE: All damage claims must be made with freight carrier!

RETURNING SYSTEMS FOR SERVICE OR REPAIR

For service or repair, please contact the dealer you purchased your system from or Anchor Audio Customer Service at 800.262.4671 to obtain a RA (*Return Authorization*) number. You may also complete an online RA request form at www.anchoraudio.com. All shipments to Anchor Audio must include a RA number and must be shipped prepaid. C.O.D. shipments will be refused and returned at your expense.

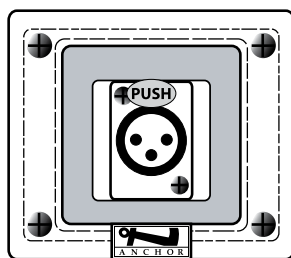
IMPORTANT: Save the shipping box & packing materials, they were specially designed to ship your unit!

WARRANTY REGISTRATION

Visit our website at www.anchoraudio.com and select "Warranty Registration." Complete the online form to activate the two-year limited warranty on your Admiral Lectern and two-year limited warranty for the microphones.



TWO YEAR WARRANTY



GOOSENECK SHOCK MOUNT JACK

ADMIRAL LECTERN PARTS LIST

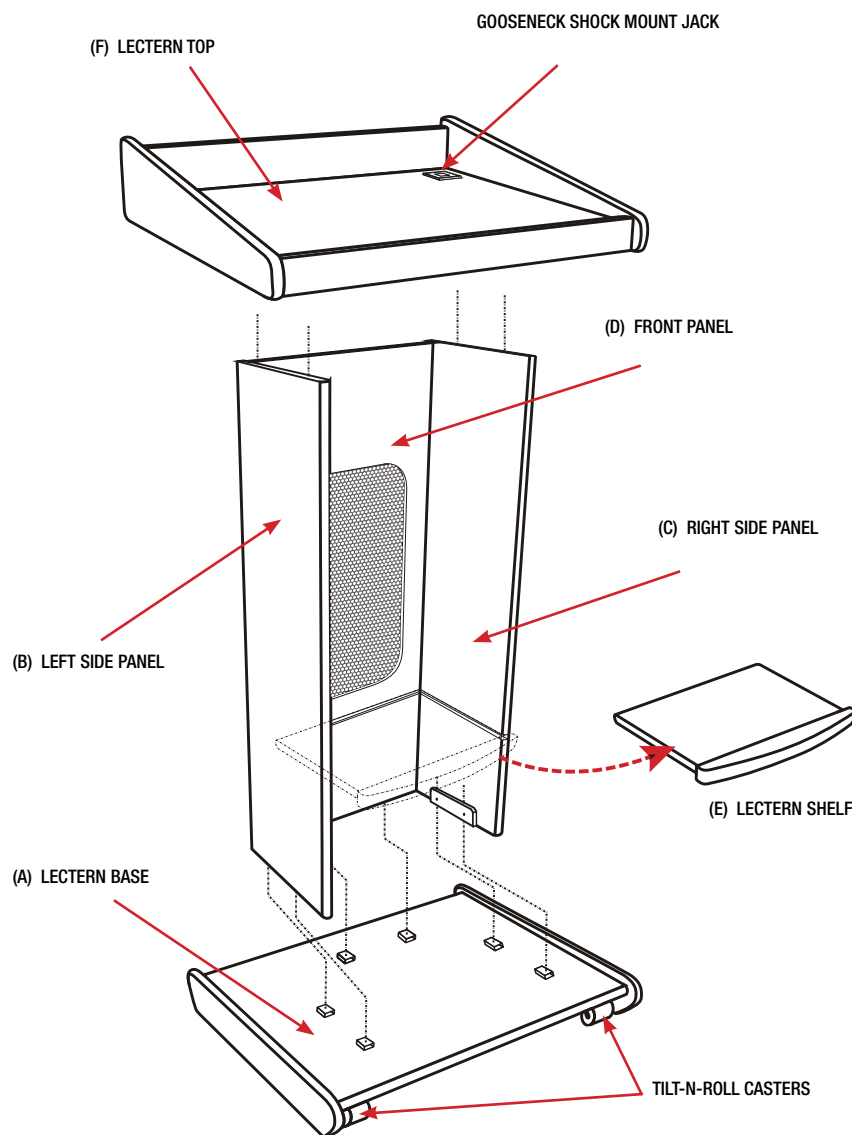
- (A) Base 1 ea.
- (B) Left Side Panel 1 ea.
- (C) Right Side Panel 1 ea.
- (D) Front Panel 1 ea.
- (E) Shelf 1 ea.
- (F) Top 1 ea.
- (G) Screws 13 ea.

ASSEMBLY INSTRUCTIONS

You will need a phillips-head screwdriver to complete assembly.

1. Place BASE (A) on level ground with wheel side down
2. Attach left (B) & right (C) SIDE PANELS to BASE using two screws each
3. Fit FRONT PANEL (D) into place and screw into BASE
4. Insert SHELF (E) as shown and secure with screw
5. Position TOP (F) and attach from below with six screws
6. Plug gooseneck microphone firmly into JACK on TOP

IMPORTANT: Do not over tighten screws.



ADMIRAL PORTABLE LECTERN FL-7500

INSTALL A PORTABLE SOUND SYSTEM

The Admiral Lectern is designed to house a portable sound system like the Anchor Audio Liberty Platinum and Explorer Pro. You must assemble the lectern before installing a sound system.

INSTALL A SOUND SYSTEM

After you assemble the lectern and position it on a flat surface:

1. Place sound system inside cabinet on shelf as shown
2. Connect lectern microphone cable to sound system

See your sound system manual for instructions on its operation.



CAUTION: Remove sound system before moving lectern!



NEED MORE HELP? Admiral Lectern Setup & Operation Videos!
Visit Our Website: www.anchoraudio.com



Scan for Admiral
Technical Specs



Scan for Admiral
Brochure



Scan for Admiral
Website



Scan for How to
Videos & Articles

ADMIRAL TECHNICAL SPECIFICATIONS

FL-7500 Assembled Dimensions

Total (HWD)	46" x 25" x 20" (117 x 64 x 51 cm)
Table Top (WD)	24" x 21.5" (61 x 55 cm)
Console Opening (HWD)	22" x 14.25" x 15" (66 x 36.2 x 38.1 cm)
Weight	68 lbs / 31 Kg

FL-7500 Shipping Dimensions

Total (HWD)	16.5" x 39" x 24" (42 x 99 x 61 cm)
Weight	73 lbs / 33.2 Kg

LM-618 Microphone

Element Type	Electret condenser
Mic Output (Post Fader)	Lo-Z, transformer balanced, XLR
Phantom Power Voltage	9-52 volts DC



(Specifications Subject to Change Without Notice)

Touchboards 1-866-942-6273

205 Westwood Ave, Long Branch, NJ 07740