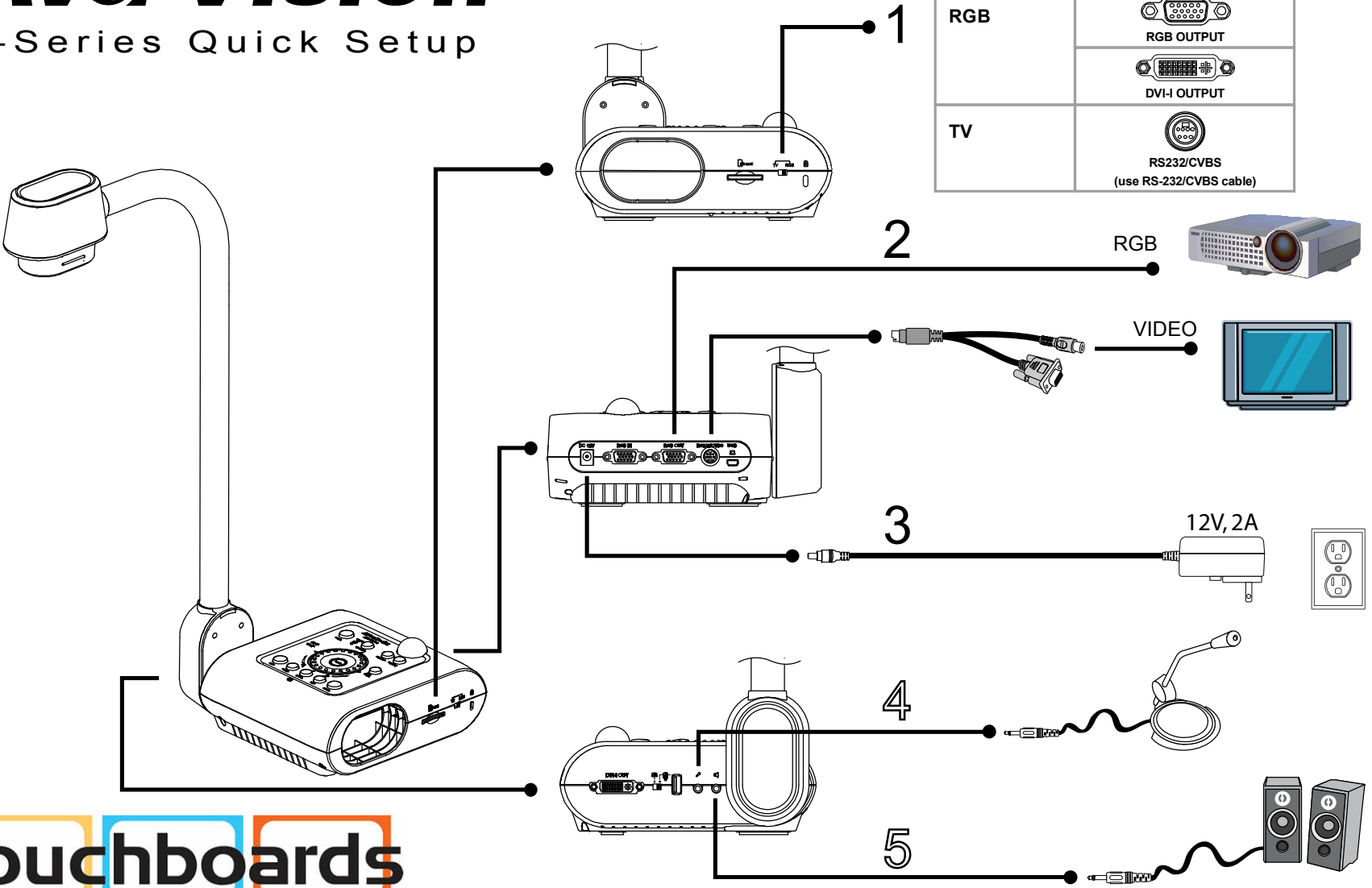


AVerTM Vision

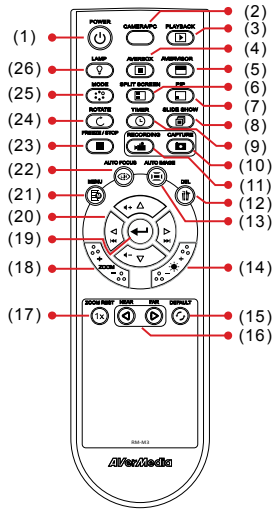
F-Series Quick Setup



205 Westwood Ave, Long Branch, NJ 07740
Phone: 866-94 BOARDS (26273) / (732)-222-1511
Fax: (732)-222-7088 | E-mail: sales@touchboards.com

Remote Control

The remote control requires two (2) “AAA” size batteries (supplied), make sure batteries are installed properly before use.



Name	Function
(1) POWER	Turn the unit on/standby.
(2) CAMERA / PC	Switch between Camera and computer mode. - Camera mode displays the video signal from the built-in camera. - PC mode displays the video signal from the RGB INPUT port of F50.
(3) PLAYBACK	View the captured picture/video from the memory in 16-thumbnail images.
(4) AVERBOX	Call the AVerBox submenu. AVerBox overlays a box frame on the presentation screen. You can adjust the box size and move it around. In the AVerBox submenu, the following options are available. ON/OFF – select to run/cancel the AVerBox. Press to move to the next selection. Shade – set the opacity level of the area outside the box. The shaded area will completely turns black when it is set to level 100. Press to move to the next selection. Color – select the AVerBox frame color. Press to move to the next selection. OK – press for the setting to take effect. If you select ON, the frame will appear and blink, use the , , , & buttons to adjust the frame size and press to set the desired size; and OFF will close the submenu. To turn off AVerBox, press again.
(5) AVERVISOR	Call the AVerVisor submenu. AVerVisor covers part of the presentation screen and allow presenter to reveal the material as desire. In the AVerVisor submenu, the following options are available. ON/OFF – select to run/cancel the AVerVisor. Press to move to the next selection. Shade – set the opacity level of the covered area. The shaded area will completely turns black when it is set to level 100. Press to move to the next selection. OK – press for the setting to take effect. If you select ON, upper part of the presentation screen is slightly exposed. Use the , , , & buttons to reveal more of the covered area; and OFF will close the submenu. To turn off AVerVisor, press again.

Name	Function
(6) SPLIT SCREEN	Divide the screen into two. One side displays the live image from the built-in camera and the other side displays 8-thumbnail size picture/video from the memory.
(7) PIP	Show a thumbnail size captured picture/video from the memory at the corner of the screen in Camera mode.
(8) SLIDE SHOW	Start/Stop automatically showing the captured picture/video one-by-one.
(9) TIMER	Call the Timer submenu. Select to Start/Pause/Stop the timer countdown and set the timer duration.
(10) CAPTURE	Capture still image in Camera mode. In continuous capture mode, press this button again to stop.
(11) RECORDING	Start/Stop audio & video recording. Video recording can only be saved either in a SD memory card or a USB flash drive.
(12) DEL	Delete the selected picture/video in Playback mode.
(13) AUTO IMAGE	Automatically adjust and set the white balance and exposure setting.
(14) BRIGHTNESS	Adjust the brightness.
(15) DEFAULT	Reset at factory default setting.
(16) NEAR / FAR	Adjust the focus manually.
(17) ZOOM RESET	Reset zoom level to 100%.
(18) ZOOM +/-	- Increase/decrease the image magnification in camera and picture playback mode. - Use to easily page up and page down 16-thumbnail picture preview.
(19)	- Make a selection in Playback mode and OSD menu. - Play/Pause video playback.
(20) , , , &	- Pan the image when image is above 10X zoom in live mode or in playback captured image mode. - Move the selection in Playback mode and in OSD menu. - Use & to increase and decrease the video playback volume. - Use & to play the video backward and forward. - Move the AVerBox frame and AVerVisor screen cover.
(21) MENU	Open and exit the OSD menu.
(22) AUTO FOCUS	Adjust the focus automatically.
(23) FREEZE / STOP	- Freeze live images. - Stop video playback.
(24) ROTATE	Rotate the image by 90° in Camera mode and Playback mode.
(25) MODE	Select from 6 type of modes: Sharp - adjust the contrast along the edges making text appear more visible. Graphics - adjust the gradient of image. Motion - increase frame rate. Sufficient lighting is required when using this mode. Microscope - automatically adjust optical zoom for microscopic viewing. Macro - set to view when object is only 5 – 20 cm away from the camera. Infinite - set to view when subject is at least 55cm away from the camera.
(26) LAMP	Turn the overhead light on/off.



205 Westwood Ave, Long Branch, NJ 07740
Phone: 866-94 BOARDS (26273) / (732)-222-1511
Fax: (732)-222-7088 | E-mail: sales@touchboards.com