

# DIGITAL PROJECTOR | MW814ST

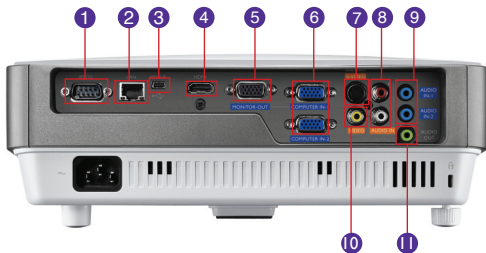


## Features

- Native WXGA (1280x800) Resolution
- 2500 ANSI Lumens; 4000:1 Contrast Ratio
- 0.49 Ultra Short Throw Ratio
- LAN Control; 10W Speaker; HDMI 1.3
- 3D Ready; Long Lamp Life



## Input and Output Terminals



- ① RS232 (DB-9pin)
- ② LAN (RJ45)
- ③ USB (Type Mini B)
- ④ HDMI V1.3
- ⑤ Monitor Out (D-sub 15pin)
- ⑥ Computer In 1 & 2 (D-sub 15pin)
- ⑦ S-Video In (Mini DIN 4pin)
- ⑧ Audio In L&R (RCA)
- ⑨ Audio In 1 & 2 (Mini Jack)
- ⑩ Composite Video In (RCA)
- ⑪ Audio Out (Mini Jack)

## Specifications

Projection System	DLP
Native Resolution	WXGA(1280 x 800)
Brightness	2500AL
Contrast Ratio	4000:1
Display Color	1.07 Billion Colors
Lens	F=2.59, f=6.95mm
Aspect Ratio	Native 16:10 (5 aspect ratio selectable)
Throw Ratio	0.49 (95" @ 3.28 ft)
Image Size Diagonal	80"~300"
Zoom Ratio	Fixed
Lamp Type	UHP220W
Lamp Life (Normal/Eco Mode)	4500/6000hr
Keystone Adjustment	Manual Vertical +/- 30 degrees
Projection Offset	110%
Resolution Support	VGA(640 x 480) to UXGA(1600 x 1200)
Horizontal Frequency	31K~102KHz
Vertical Scan Rate	23~120Hz
Compatibility	HDTV Compatibility: 480i, 480p, 576i, 576p, 720p, 1080i, 1080p Video Compatibility: NTSC, PAL, SECAM
Interface	Computer In (D-sub 15pin) x 2 (shared with component) Monitor Out (D-sub 15pin) x 1 Composite Video In (RCA) x 1 S-Video In (Mini DIN 4pin) x 1 HDMI V1.3 x 1 Audio In (Mini Jack) x 2 Audio L/R in (RCA) x 2 Audio Out (Mini Jack) x 1 Speaker 10W x 1 LAN (RJ45) x 1 (LAN Control) USB (Type Mini B) x 1 (for service) RS232 (DB-9pin) x 1
Dimensions (WxHxD)	11.3" x 4.5" x 9.16" (287 x 114.4 x 232.6 mm)
Weight	6 lbs (2.7 kg)
Power Supply	100 to 240 VAC, 50 to 60 Hz
Power Consumption	270W (Typical), Standby<1W
Audible Noise	32/26 dBA (Normal/Economic mode)
On-Screen Display Languages	English/ France/ Germany/ Italian/ Spanish/ Russian/ Traditional Chinese/ Simplified Chinese/ Japanese/ Korean/ Swedish/ Dutch/ Turkish/ Czech/ Portuguese/ Thai/ Polish/ Hungarian/ Croatian/ Romanian/ Norwegian/ Danish/ Bulgaria/ Finnish/ Indonesian/ Greek/ Hindi/ Arabic (28 Languages)
Picture Mode	Dynamic/Presentation/sRGB/Cinema/User 1/User 2
Accessories (Standard)	Remote Control w/ Battery, Power Cord, User Manual CD, Quick Start Guide, Warranty Card, VGA (D-sub 15 pin) Cable
Accessories (Optional)	Spare Lamp Kit P/N: 5J.J5205.001 Wall Mount (T/R 0.6) P/N: 5J.J4R10.001 3D Glasses P/N: 5J.J0T14.011 Universal Ceiling Mount P/N: 5J.J2K01.001 Carrying Case P/N: 4G.J2C15.001

\*Lamp life results will vary depending on environmental conditions and usage.

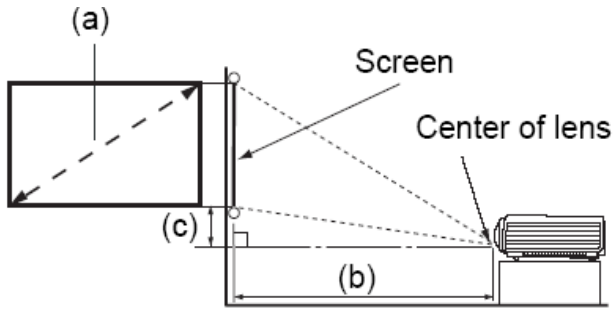
MW814ST 10-10-11-US



**Touchboards 1-866-942-6273**  
205 Westwood Ave, Long Branch, NJ 07740



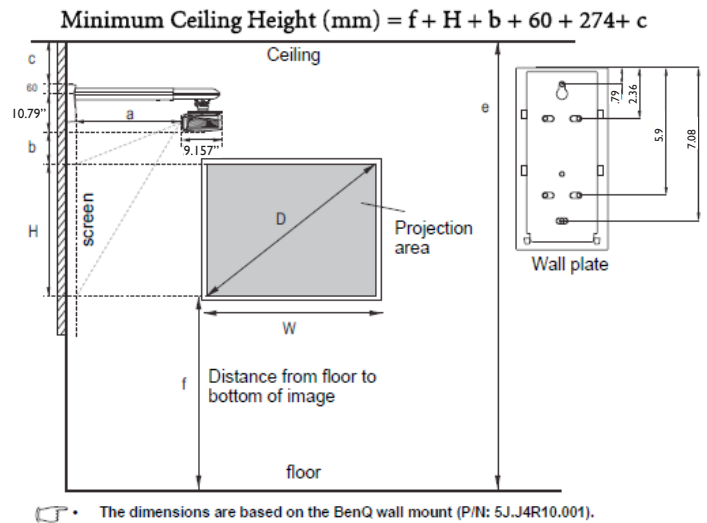
**Distance Chart**



(a) Screen size				Projected picture size		(b) Distance from screen (mm)	(c) Vertical offset (mm)
Diagonal	Height	Width	Height	Width			
Inches	mm	(mm)	(mm)	(mm)	(mm)		
80	2032	1077	1723	1077	1723	842	54
100	2540	1346	2154	1346	2154	1053	67
120	3048	1615	2585	1615	2585	1263	81
150	3810	2019	3231	2019	3231	1579	101
180	4572	2423	3877	2423	3877	1895	121
200	5080	2692	4308	2692	4308	2105	135
220	5588	2962	4739	2962	4739	2316	148
240	6096	3231	5169	3231	5169	2526	162
270	6858	3635	5816	3635	5816	2842	182
300	7620	4039	6462	4039	6462	3158	202

**Wall/Ceiling Mount Chart**

Computer Resolution: WXGA Image Resolution: WXGA	Diagram Reference	SMART Board 685	Promethean ActivBoard 387	Hitachi FX-TRIO-88W	Hitachi FX-DUO-88W
Image Diagonal (inches)	D	87	87	88	88
Image Height (mm)	H	1171	1171	1181	1181
Image Width (mm)	W	1874	1874	1887	1887
Distance from floor to bottom of image (mm)	f	900	900	900	900
Distance from screen surface to projector lens (mm)	a	916	916	926	926
Distance from top case to the top of image (mm)	b	6.8	6.8	7.5	7.5
Distance from top of wall mount to ceiling (mm)	c	50	50	50	50
Minimum Ceiling Height (mm)	e	2461.8	2461.8	2472.5	2472.5



**Dimensions**

