

# DIGITAL PROJECTOR | MX717



## Features

- Native XGA (1024 x 768) Resolution
- 4000 ANSI Lumens, 5300:1 Contrast Ratio
- 20W Speaker; Instant Restart
- LAN Control; HDMI x 1
- DLP 3D Ready; Auto Keystone



## Input and Output Terminals



- |                     |                          |
|---------------------|--------------------------|
| 1 LAN (RJ45)        | 6 Computer-1/ Computer-2 |
| 2 USB (Type Mini B) | 7 S-Video                |
| 3 RS-232 (DB-9pin)  | 8 Audio L/R In (RCA)     |
| 4 HDMI              | 9 Audio In/Out           |
| 5 Monitor Out       | 10 Video                 |
|                     | 11 12V Trigger           |

## Specifications

Projection System	DLP
Native Resolution	XGA(1024 x 768)
Brightness	4000 ANSI lumens
Contrast Ratio	5300 : 1
Display Color	1.07 Billion Colors
Lens	F=2.59-2.87, f=16.88-21.88
Aspect Ratio	Native 4:3 (5 aspect ratio selectable)
Throw Ratio	1.51-1.97 (65" @ 6.56 feet)
Image Size (Diagonal)	25"-300"
Zoom Ratio	1.3:1
Lamp Type	300W
Lamp(Nor/Eco Mode/SmartEco)*	2000/3000 hours
Keystone Adjustment	1D, Vertical +/- 40 degrees
Projection Offset	115%±5%
Resolution Support	VGA(640 x 480) to UXGA(1600 x 1200)
Horizontal Frequency	31K-102KHz
Vertical Scan Rate	23-120Hz
Compatibility	HDTV Compatibility: 480i, 480p, 576i, 576p, 720p, 1080i, 1080p Video Compatibility: NTSC, PAL, SECAM; 3D Compatibility: PC: 120Hz Frame Sequential 2D for resolutions up to WXGA; PC: 60Hz Frame Sequential 3D for resolutions up to WXGA; PC: 60Hz Top-bottom 3D for resolutions up to SXGA+; Video: 60Hz Frame Sequential 3D for resolutions up to 480i
Interface	Computer in (D-sub 15pin) x 2 (shared with D-sub 15pin) Monitor out (D-sub 15pin) x 1 HDMI (v1.3) x 1 Composite Video in (RCA) x 1 S-Video in (Mini DIN 4pin) x 1 Audio in (Mini Jack) x 1 Audio L/R in (RCA) x 1 Audio out (Mini Jack) x 1 Speaker 10W x 2 LAN (RJ45) x 1 USB (Type Mini B) x 1 RS232 (DB-9pin) x 1 IR Receiver x 2
Dimensions (WxHxD)	13.35" x 4.75" x 9.37"
Weight	8.27 lbs (3.8 kg)
Power Supply	AC 100 to 240 V, 50/60 Hz
Power Consumption	398W, Standby<0.5W
Audible Noise	35/30 dBA (Normal/Economic mode)
On-Screen Display Languages	English/ France/ Germany/ Italian/ Spanish/ Russian/ Traditional Chinese/ Simplified Chinese/ Japanese/ Korean/ Swedish/ Dutch/ Turkish/ Czech/ Portuguese/ Thai/ Polish/ Hungarian/ Croatian/ Romanian/ Norwegian/ Danish/ Bulgaria/ Finnish/ Indonesian/ Greek/ Hindi/ Arabic (28 Languages)
Picture Modes	Dynamic/Presentation/sRGB/Cinema/User 1/User 2
Accessories (Standard)	Remote Control w/ Battery, Power Cord, User Manual CD, Quick Start Guide, Warranty Card, VGA(D-sub 15pin) Cable, Carrying Bag
Accessories (Optional)	Ceiling Mount P/N: 5J.J2K01.001 Spare Lamp Kit P/N: 5J.J5X05.001 3D Glasses P/N: 5J.J0T14.011
Limited Warranty	3 Years Parts / Labor; 1-Year or 2000 hours of lamp life

\*Lamp life results will vary depending on environmental conditions and usage. Actual product's features and specifications are subject to change without notice. MX717 11-21-11-BQus



205 Westwood Ave, Long Branch, NJ 07740  
Phone: 866-94 BOARDS (26273) / (732)-222-1511  
Fax: (732)-222-7088 | E-mail: sales@touchboards.com



BenQ America Corp.  
15375 Barranca Parkway, Suite A-205, Irvine, CA 92618 • Tel: (949) 255-9500 • www.BenQ.us

BenQ is a registered trademark of BenQ Corp. DLP is a registered trademark of Texas Instruments. All rights reserved.  
Product names, logos, brands, and other trademarks featured or referred to in this materials are the property of their respective trademark holders.  
Specifications subject to change without notice.



Enjoyment Matters

# MX717 Digital Projector

## Distance Chart

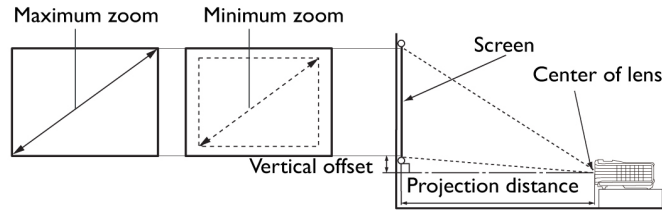
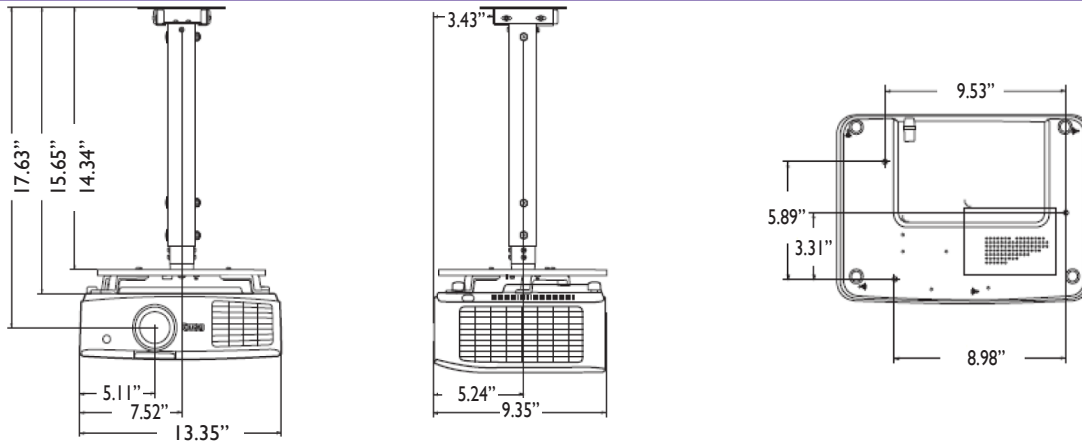


Table A1: The screen aspect ratio is 4:3 and the projected picture is 4:3

Screen size		Size of the projected image		Distance from screen (mm)			Vertical offset (mm)
Diagonal		H (mm)	W (mm)	Min length	Average	Max length	
Inch	mm			(max. zoom)		(min. zoom)	
40	1016	610	813	1231	1415	1600	46
50	1270	762	1016	1538	1769	2000	57
60	1524	914	1219	1846	2123	2400	69
70	1778	1067	1422	2154	2477	2800	80
80	2032	1219	1626	2462	2831	3200	91
90	2286	1372	1829	2769	3185	3600	103
100	2540	1524	2032	3077	3538	4000	114
120	3048	1829	2438	3692	4246	4800	137
150	3810	2286	3048	4615	5308	6000	171
200	5080	3048	4064	6154	7077	8000	229
250	6350	3810	5080	7692	8846	10000	286
300	7620	4572	6096	9231	10615	12000	343

## Ceiling Mount Chart



Inch

## Dimensions

