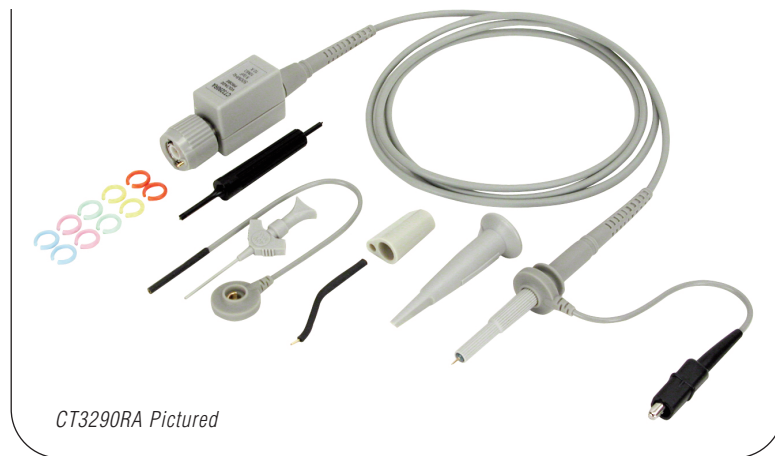


## 500 MHz 10x Passive Voltage Oscilloscope Probes

- **CT3290RA**
- **CT3290RA-PRO**



CT3290RA Pictured

### FEATURES:

- 500 MHz bandwidth (-3 dB)
- Readout Actuator (Sense Pin)
- Compact 3.5 mm body
- Industry compatible accessories
- Meets 300 V CAT II - IEC 61010-031

### BENEFITS:

- Quality replacement probe for high frequency oscilloscopes
- Cost effective
- Accessory compatibility to Tektronix Model P6139A probes

### THE COMPACT 3.5™ OSCILLOSCOPE PROBE DELIVERS HIGH-FREQUENCY PERFORMANCE IN A MINIATURE PACKAGE:

Cal Test's CT3290RA family of 10x Passive Voltage Probes deliver 500 MHz performance with compatibility to high-end scopes from Agilent®, Tektronix® and others.

For the users of Tektronix scopes featuring their P6139A probe ( Series TDS3000B, MSO/DPO4000 & DPO7000), the CT3290RA offers a 3-fold replacement advantage:

- Comparable performance
- Accessory interchangeability
- Economical price

These are high quality oscilloscope probes with matching performance throughout the specified bandwidth (Fig. 1). They feature a durable one-piece construction, highly flexible cable, BNC's with readout actuator (sense pins) and accessories fully interchangeable with Tektronix's P6139A probes. Two models are available, CT3290RA, featuring a complement of standard accessories matching the name brand probe's offering and CT3290RA-PRO, with a full compliment of accessories ready to meet most any interface requirement. Both probes are economically priced and backed by a two (2) year warranty.

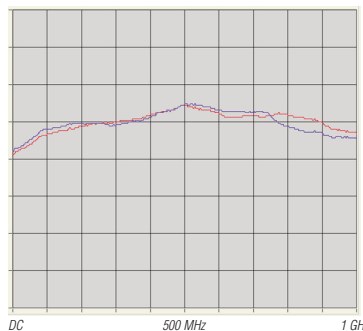


Fig. 1 - Response Curves: CT3290RA vs. P6139A (3.3 GHz SA w/tracking generator)

For additional product information, cross-reference, or individual accessories, visit our web site at [www.caltestelectronics.com](http://www.caltestelectronics.com).

### SPECIFICATIONS:

- Attenuation ratio - 10x (10:1)
- Bandwidth - DC to 500 MHz
- Rise time - 0.7 nS
- Compensation range - 8 to 18 pF
- Input resistance - 10 MΩ
- Input capacitance - 8 pF
- Max. input voltage - 600 V CAT I  
 300 V CAT II  
 (DC + Peak AC)  
 - Derated with frequency
- Working temperature - -10° to +55° C
- Cable length - 1.3 meters (51")
- RoHS - Compliant
- CE Listed

Specifications and appearance subject to change without notice  
 P329000 111008

1 - [www.caltestelectronics.com](http://www.caltestelectronics.com)

**ORDER INFORMATION:**

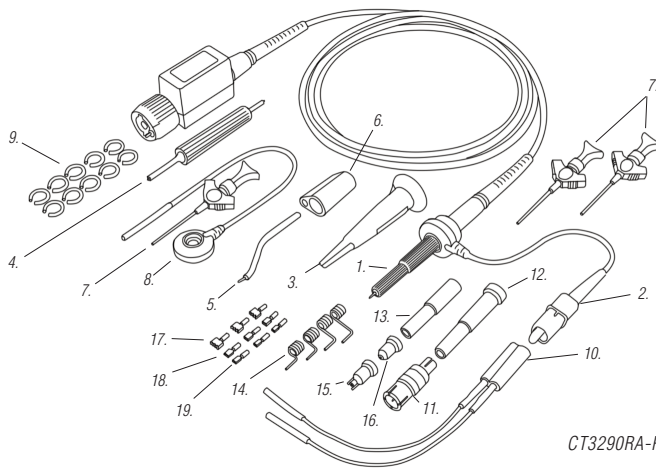
**CT3290RA**

500 MHz 10x Oscilloscope Probe Kit  
 Accessories Included: (see table below)

**CT3290RA-PRO**

500 MHz 10x Oscilloscope Probe Kit with Deluxe Accessory Offering  
 Accessories Included: (see table below)

**KIT CONTENTS:**



CT3290RA-PRO pictured

Item	Description	Model	CT3290RA	CT3290RA-PRO
1	Attenuator Tip Cover	CT3646-8	1	1
2	Slip-on GND Lead w/Alligator Clip	CT3645-12-8	1	1
3	Sprung Hook, Grey	CT3647-8	1	1
4	Deluxe Trimmer Tool	CT3648	1	1
5	Low Impedance Ground Tip	CT3649	1	1
6	Ground Collar	CT3650-8	1	1
7	SMT IC Test Clip, Grey	CT3659-8	1	3
8	Slip-on GND Lead w/0.6 mm Jack	CT3661-15-8	1	1
9	Identifier Rings (5 x 2 colors)	CT3662	1	1
10	Twin Lead Adapter, 3.5mm	CT3678 (1)	-	1
11	BNC Adapter, 3.5 mm	CT3655	-	1
12	Cover Shell (no Slip-on GND)	CT3672 (2)	-	1
13	Cover Shell (w/ Slip-on GND)	CT3652-8	-	1
14	Probe Tip GNDs (0.1, 0.2, 0.3 & 0.4")	CT3672 (3)	-	1
15	IC Tip Insulator	CT3654-8	-	1
16	Tip Insulator	CT3653-8	-	1
17	IC Lead Combs, 0.050" (Yellow)	CT3675 (4)	-	3
18	IC Lead Combs, 0.025" (Blue)	CT3676 (4)	-	3
19	IC Lead Combs, 0.5mm (Red)	CT3677 (4)	-	3

**CONTACT INFO:**

Toll Free: 888-256-2246 (US Only)  
 Phone: 714-221-9330  
 Fax: 714-921-9849  
 22820 Savi Ranch Pkwy  
 Yorba Linda, CA 92887-4610 USA  
 www.caltestelectronics.com

(1) Twin Lead Adapter CT3678 includes two SMT IC Test Clips.

(2) Cover Shell CT3672 includes two each of Probe Tip Grounds (0.1, 0.2, 0.3 & 0.4").

(3) Kit consists of two each of Probe Tip Grounds (0.1, 0.2, 0.3 & 0.4") plus Cover Shell (no Slip-on GND).

(4) Replacement part numbers consist of twelve each.

Copyright © 2008, Cal Test Electronics, Inc. All rights reserved. Information in this publication supersedes that in all previously published material. Trade names referenced are the service marks, trademarks or registered trademarks of their respective companies.

Specifications and appearance subject to change without notice  
 P329000 111008

2 - www.caltestelectronics.com

