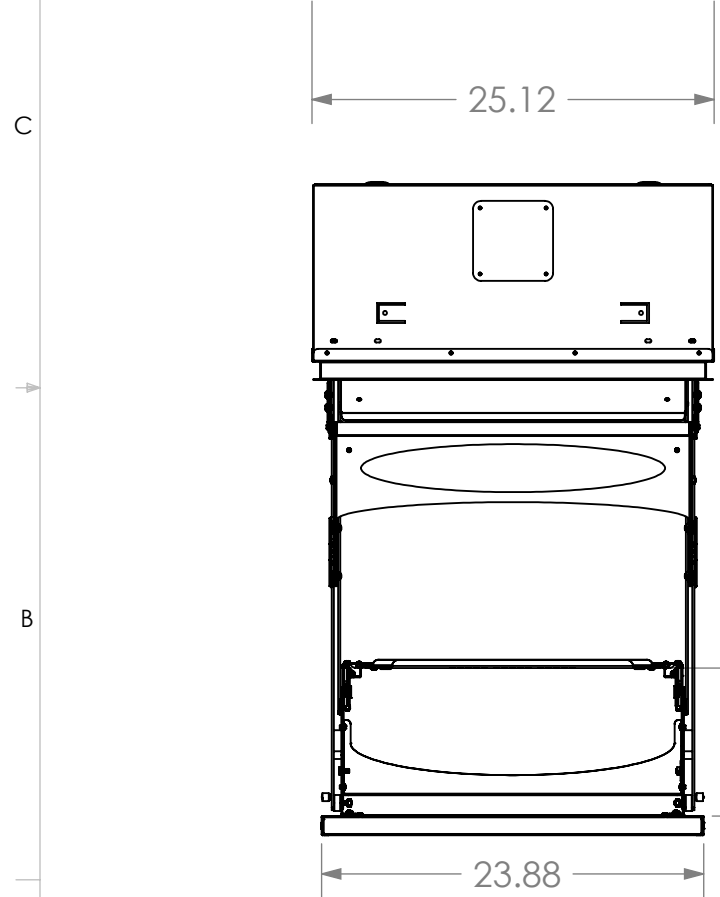
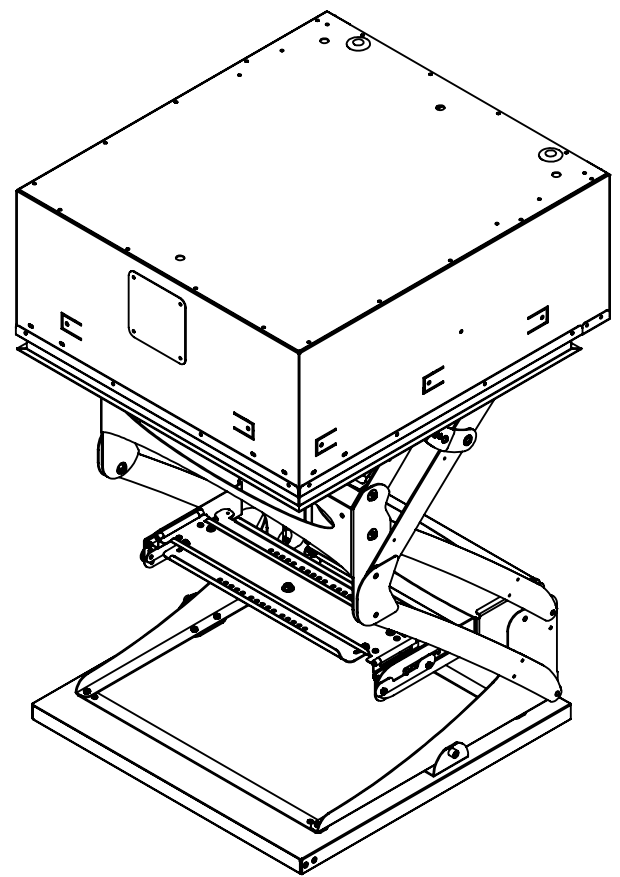
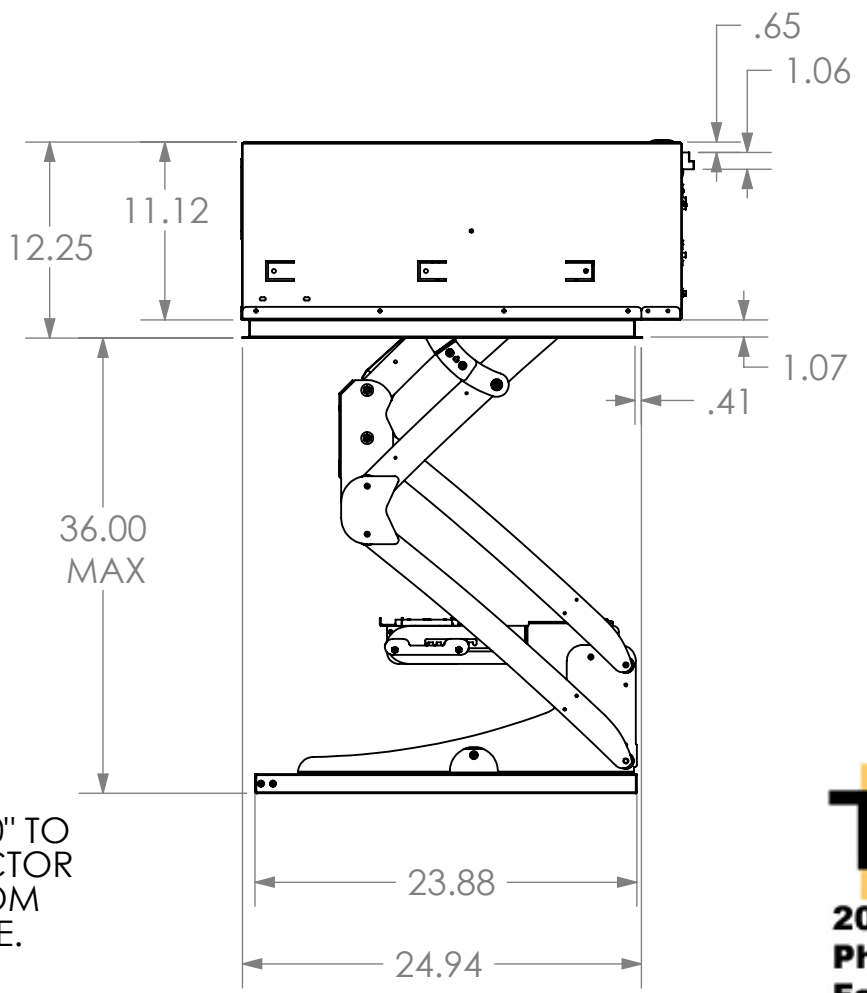


MAXIMUM AVAILABLE SPACE FOR PROJECTOR AND EQUIPMENT
HxWxD = 9.25 x 20.50 x 22.75



CURRENT 9.26
MAX 9.91"
MIN 7.78"

REMEMBER TO ADD .375" TO 1.00" TO THE MAX 9.91" OF YOUR PROJECTOR HEIGHT TO ALLOW FOR THE ROOM THE SLB BRACKET WILL CONSUME.



CHIEF MANUFACTURING INC.
MOUNT ORDER NUMBER IS SL-236 tech drawing update 10 22 07
PHONE: 1-800-582-6480

Touchboards
205 Westwood Ave, Long Branch, NJ 07740
Phone: 866-94 BOARDS (26273) / (732)-222-1511
Fax: (732)-222-7088 | E-mail: sales@touchboards.com

THE INFORMATION AND DESIGNS CONTAINED IN THIS DRAWING ARE CONFIDENTIAL AND THE PROPRIETARY PROPERTY OF CHIEF MFG., INC. NEITHER THIS DESIGN NOR ANY INFORMATION CONTAINED IN THIS DRAWING MAY BE REPRODUCED OR DISCLOSED TO OTHERS WITHOUT THE EXPRESS WRITTEN CONSENT OF CHIEF MFG., INC.

CHIEF MANUFACTURING, INC. <small>8401 EAGLE CREEK PKWY STE. 700, SAVAGE, MN 55378 1.800.582.6480 * FAX 1.877.894.6918</small>	
TITLE CUSTOMER PRINT SL-236 tech drawing update	
SIZE B	DWG. NO. SL-236 tech drawing update 10