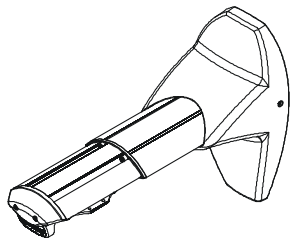
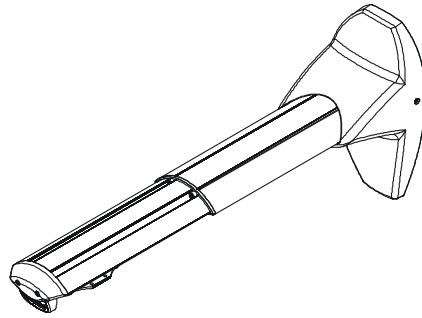
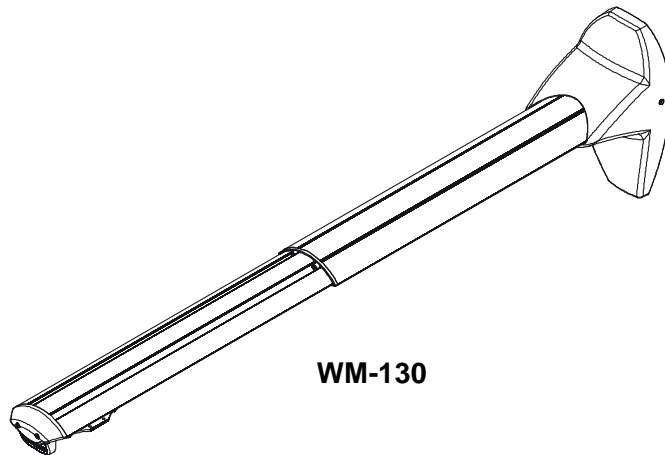

INSTALLATION INSTRUCTIONS



WM-110



WM-120



WM-130

Single Stud Short Throw Wall Mounts

Touchboards

205 Westwood Ave, Long Branch, NJ 07740

Phone: 866-94 BOARDS (26273) / (732)-222-1511

Fax: (732)-222-7088 | E-mail: sales@touchboards.com

CHIEF[®]

Our Mounts. Your Vision.

WM110-120-130

DISCLAIMER

Milestone AV Technologies and its affiliated corporations and subsidiaries (collectively "Milestone"), intend to make this manual accurate and complete. However, Milestone makes no claim that the information contained herein covers all details, conditions or variations, nor does it provide for every possible contingency in connection with the installation or use of this product. The information contained in this document is subject to change without notice or obligation of any kind. Milestone makes no representation of warranty, expressed or implied, regarding the information contained herein. Milestone assumes no responsibility for accuracy, completeness or sufficiency of the information contained in this document.

Chief® is a registered trademark of Milestone AV Technologies. All rights reserved.

! IMPORTANT WARNINGS AND CAUTIONS!

! WARNING: A WARNING alerts you to the possibility of serious injury or death if you do not follow the instructions.

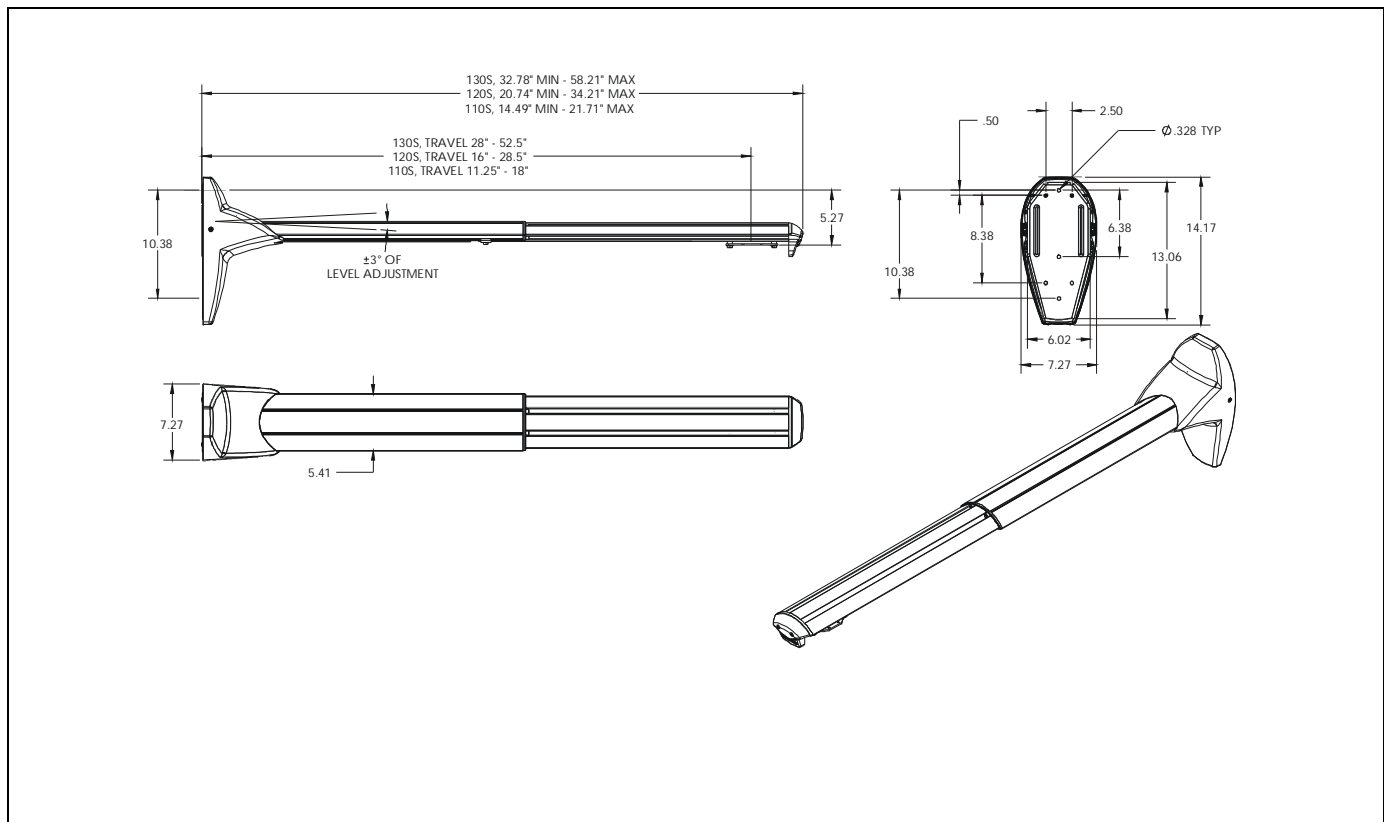
! CAUTION: A CAUTION alerts you to the possibility of damage or destruction of equipment if you do not follow the corresponding instructions.

! WARNING: Failure to read, thoroughly understand, and follow all instructions can result in serious personal injury, damage to equipment, or voiding of factory warranty! It is the installer's responsibility to make sure all components are properly assembled and installed using the instructions provided.



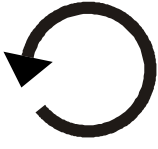


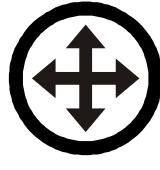






! WARNING: Failure to provide adequate structural strength for this component can result in serious personal injury or damage to equipment! It is the installer's responsibility to make sure the structure to which this component is attached can support five times the combined weight of all equipment. Reinforce the structure as required before installing the component. The wall to which the mount is being attached may have a maximum drywall thickness of 5/8" (1.6cm).

! WARNING: Exceeding the weight capacity can result in serious personal injury or damage to equipment! It is the installer's responsibility to make sure the combined weight of all components attached to the short throw projector mounts up to (and including) the projector does not exceed 50 lbs (22.68 kg) for the WM110 or the WM120 or 25 lbs (11.34 kg) for the WM130.

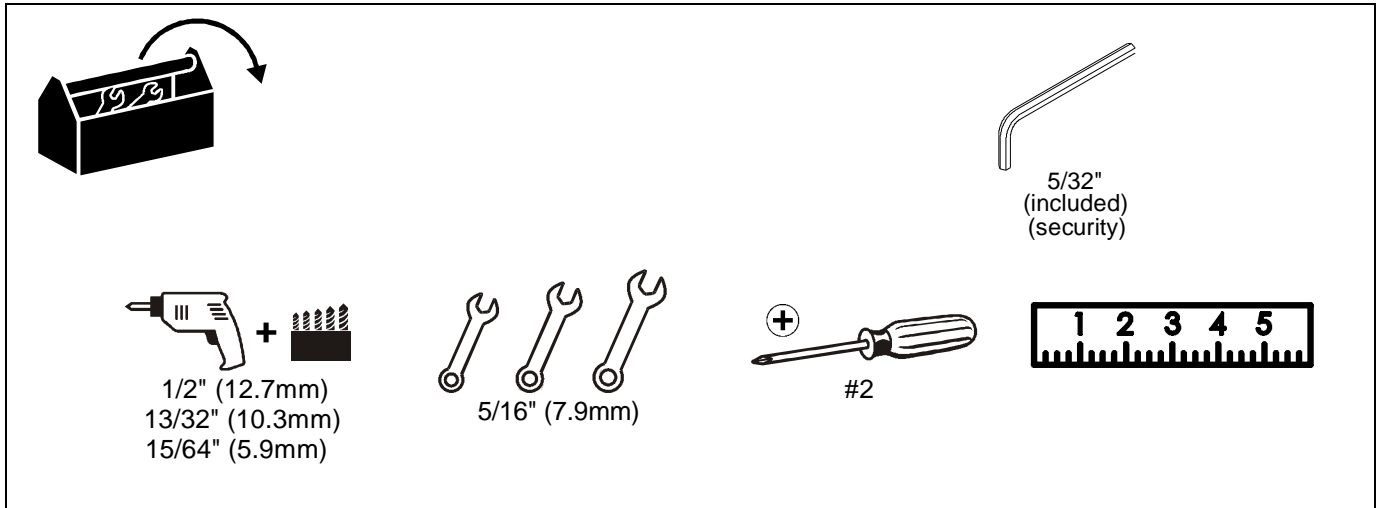
DIMENSIONS



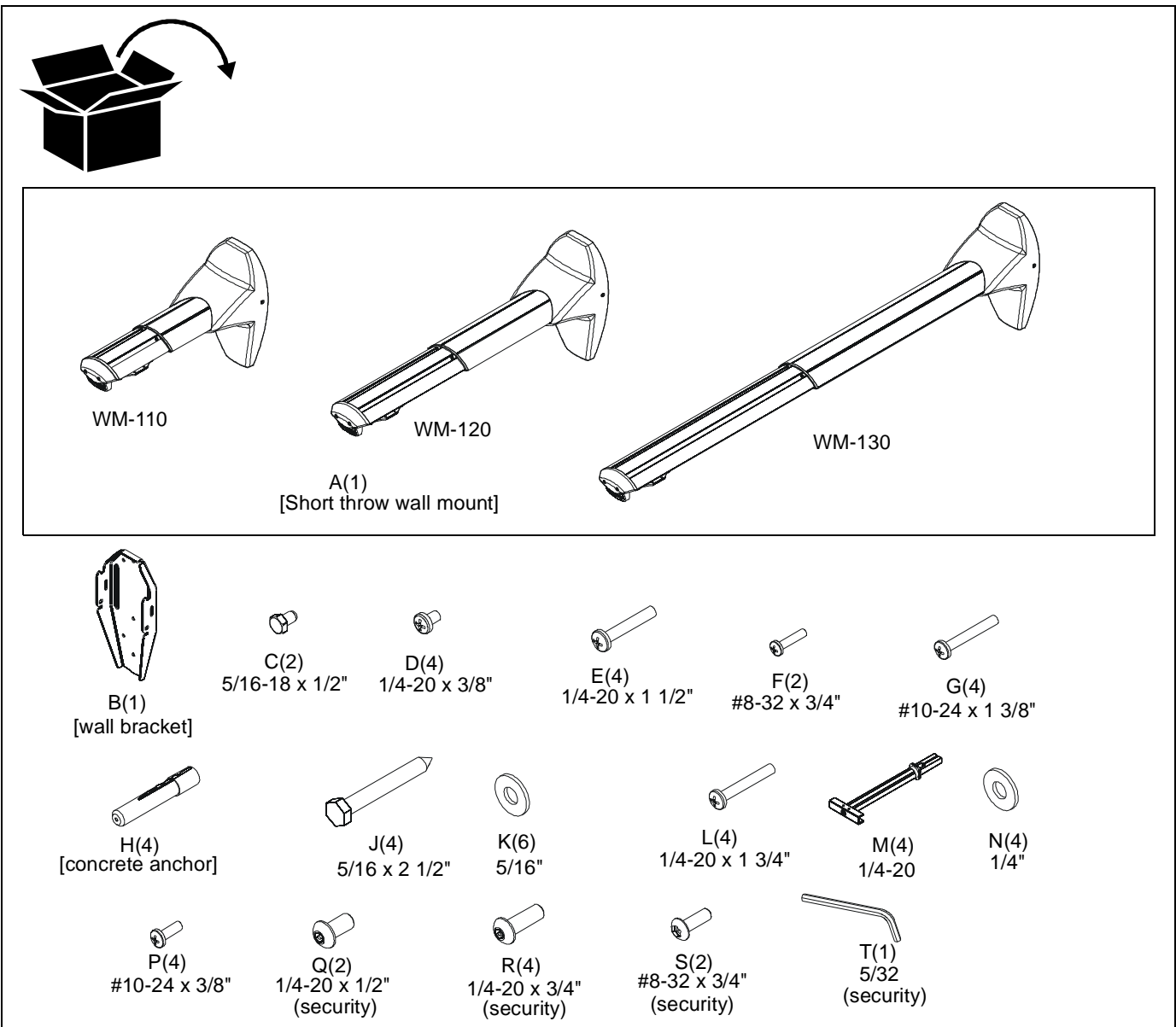
LEGEND

	<p>Tighten Fastener Apretar elemento de fijación Befestigungsteil festziehen Apertar fixador Serrare il fissaggio Bevestiging vastdraaien Serrez les fixations</p>		<p>Pencil Mark Marcar con lápiz Stiftmarkierung Marcar com lápis Segno a matita Potloodmerkteken Marquage au crayon</p>
	<p>Loosen Fastener Aflojar elemento de fijación Befestigungsteil lösen Desapertar fixador Allentare il fissaggio Bevestiging losdraaien Desserrez les fixations</p>		<p>Drill Hole Perforar Bohrloch Fazer furo Praticare un foro Gat boren Percez un trou</p>
	<p>Phillips Screwdriver Destornillador Phillips Kreuzschlitzschraubendreher Chave de fendas Phillips Cacciavite a stella Kruiskopschroevendraaier Tournevis à pointe cruciforme</p>		<p>Adjust Ajustar Einstellen Ajustar Regolare Afstellen Ajuster</p>
	<p>Open-Ended Wrench Llave de boca Gabelschlüssel Chave de bocas Chiave a punte aperte Steeksleutel Clé à fourche</p>		<p>Remove Quitar Entfernen Remover Rimuovere Verwijderen Retirez</p>
	<p>By Hand A mano Von Hand Com a mão A mano Met de hand À la main</p>		<p>Optional Opcional Optional Opcional Opzionale Optie En option</p>
	<p>Hex-Head Wrench Llave de cabeza hexagonal Sechskantschlüssel Chave de cabeça sextavada Chiave esagonale Zeskantsleutel Clé à tête hexagonale</p>		<p>Security Wrench Llave de seguridad Sicherheitsschlüssel Chave de segurança Chiave di sicurezza Veiligheidssleutel Clé de sécurité</p>

TOOLS REQUIRED FOR INSTALLATION



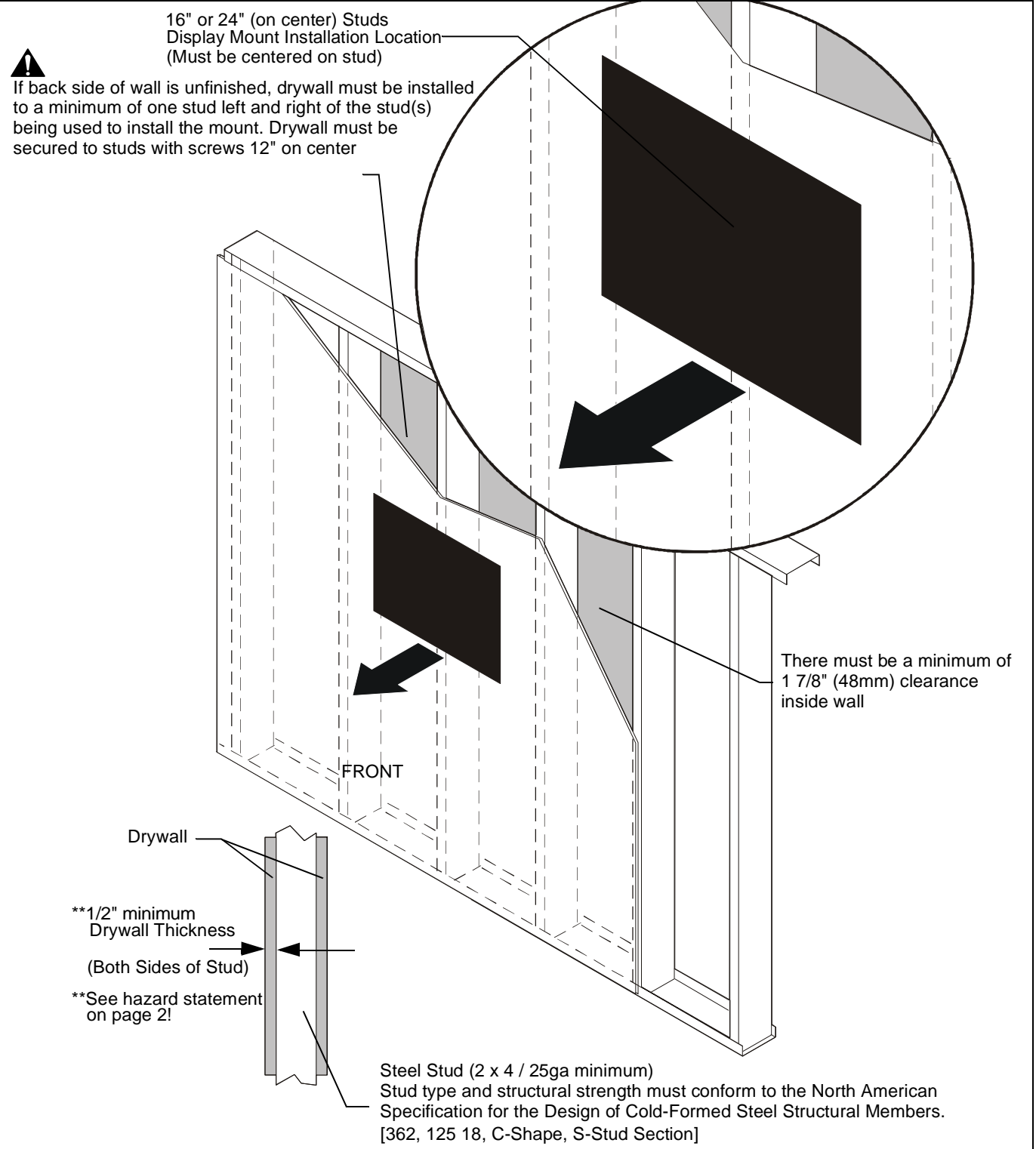
PARTS



Site Requirements



WARNING: IMPROPER INSTALLATION CAN LEAD TO EQUIPMENT FALLING CAUSING SERIOUS PERSONAL INJURY OR DAMAGE TO EQUIPMENT! The figure below identifies the minimum requirements for installation of display mounts onto a steel stud structure. If the structure or its components do not meet these requirements contact the mount manufacturer for specific instructions before attempting installation. It should also be noted that no other equipment should be mounted to the same stud.



Assembly And Installation

Mounting Wall Bracket

Concrete or Concrete Block

1. Determine mounting location on wall.
2. Using mounting bracket (B) as a template, mark four holes at the outer holes in bracket. (See Figure 1)
3. Drill four 13/32" holes at marked locations in wall. (See Figure 1)

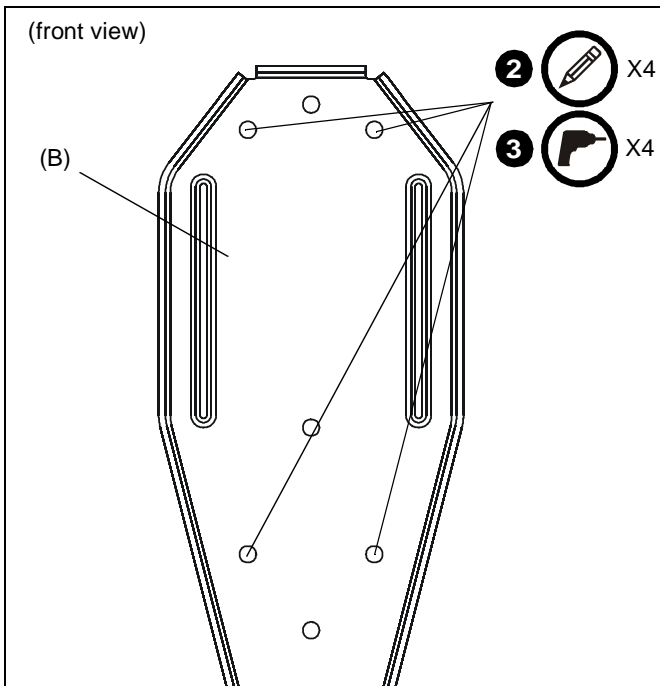


Figure 1

4. Install four concrete anchors (H) into drilled holes. (See Figure 2)
5. Install four 5/16 x 2 1/2" hex head lag screws (J) through four 5/16" washers (K), outer holes of mounting bracket (B) and into concrete anchors (H). (See Figure 2)

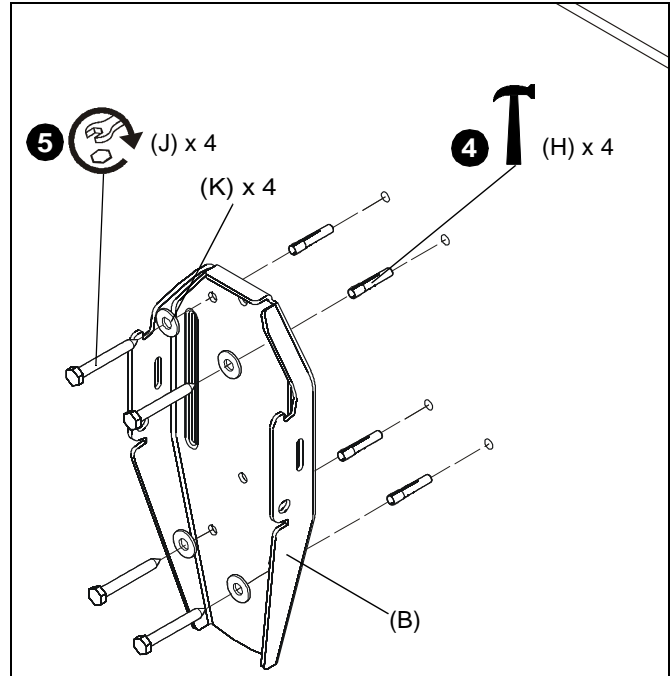


Figure 2

Wood Studs

IMPORTANT ! : The wall to which the mount is being attached may have a maximum drywall thickness of 5/8"!

1. Determine mounting location on wall. Use a stud finder to locate studs.
2. Draw a dotted line down the center of the stud to be used for mounting.
3. Line up inner three holes on mounting bracket (B) with center of stud at desired mounting location. (See Figure 3)
4. Using mounting bracket (B) as a template, mark three holes at the inner three holes in bracket. (See Figure 3)
5. Drill three 15/64" holes at marked locations in wall. (See Figure 3)

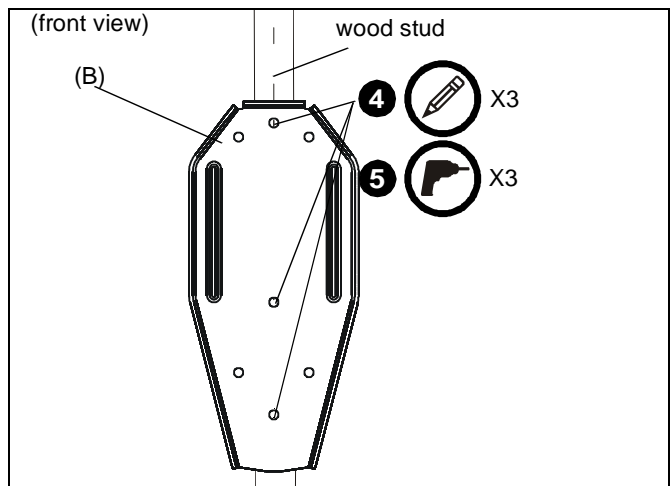


Figure 3

6. Install three 5/16 x 2 1/2" hex head lag screws (J) through three 5/16" washers (K), inner holes of mounting bracket and into drilled holes. (See Figure 4)

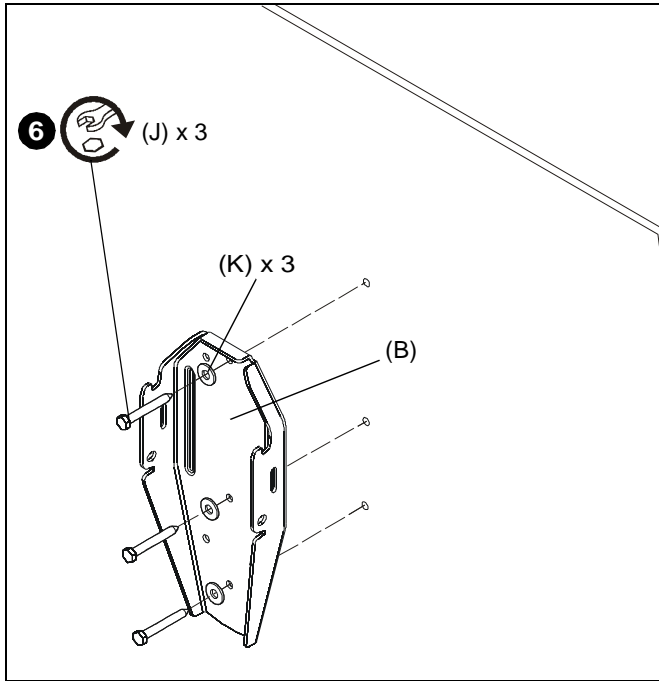


Figure 4

Steel Studs

IMPORTANT ! : See Site Requirements section before proceeding with Steel Studs installation to ensure installation site meets requirements! The drywall must have a minimum thickness of 1/2"!

1. Determine mounting location on wall. Use stud finder to locate steel studs.
2. Draw a dotted line down the center of the stud to be used for mounting.
3. Line up inner three holes on mounting bracket with center of stud at desired mounting location. (See Figure 5)
4. Using mounting bracket as a template, mark three holes at the inner three holes in bracket. (See Figure 5)
5. Drill three 1/2" holes at marked locations in wall. (See Figure 5)

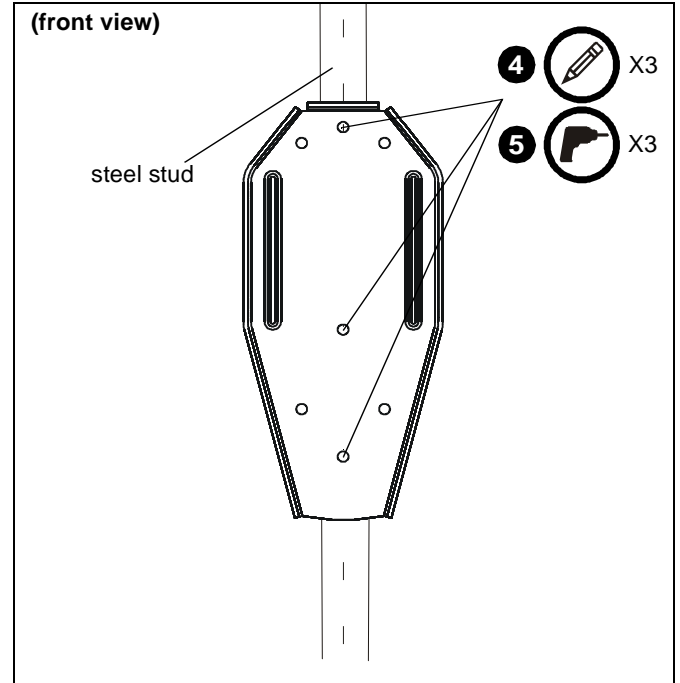


Figure 5

6. Hold metal channel on anchor (M) flat alongside plastic straps and slide channel through hole. (See Figure 6)

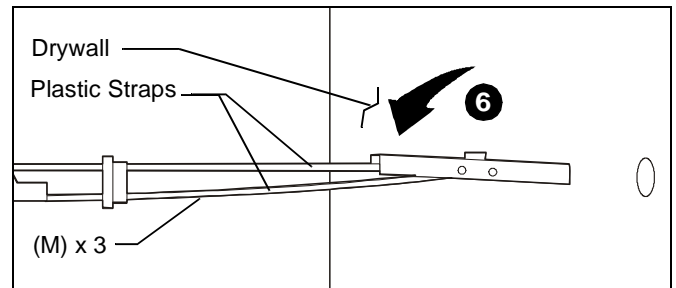


Figure 6

7. Holding plastic straps on anchor (M), pull anchor away from wall until channel rests flush behind wall making sure anchor channel is positioned vertically on stud. (See Figure 7)
8. Slide plastic cap on anchor (M) towards wall until flange of cap is flush with wall. (See Figure 7)

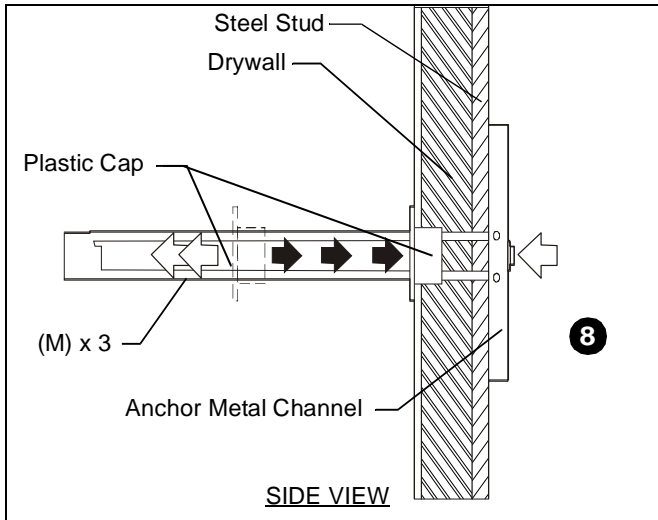


Figure 7

9. Snap off plastic straps on anchor at wall by pushing side to side, snapping off straps level with flange of plastic cap. (See Figure 8)
10. Repeat steps 7 through 9 for each mounting hole.

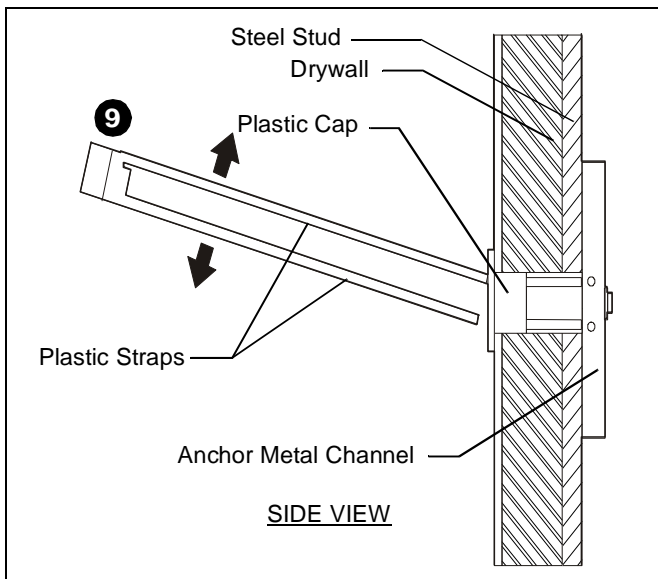


Figure 8

11. Place wall bracket over anchors and align mounting holes in display mount with holes in anchors. (See Figure 9)
12. Insert 1/4-20 x 1 3/4" Phillips pan head screws (L) through 1/4" washer (N), corresponding mounting hole on wall bracket and into anchor (M) and tighten until flush against mount. DO NOT overtighten! (See Figure 9)
13. Repeat steps 11 through 12 for remaining 2 mounting holes.

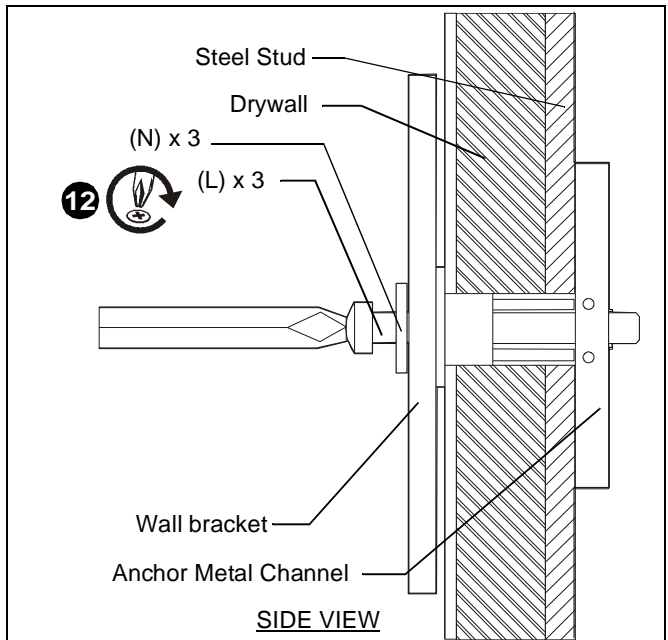


Figure 9

Installation to Wall Bracket

1. Lift short throw projector arm (A) up to mounting bracket (B) and hook top plate to upper notches on bracket. (See Figure 10)
2. Slide lower plate into lower hooks on bracket. (See Figure 10)

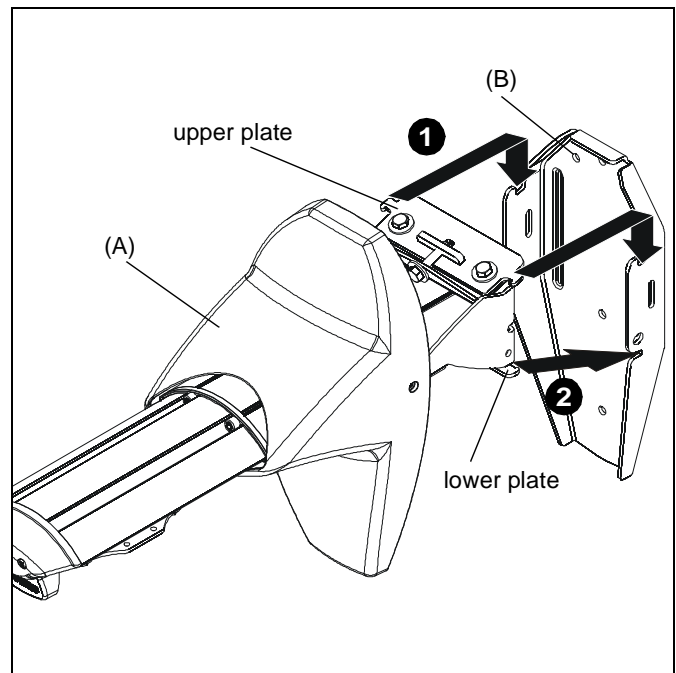


Figure 10

⚠ WARNING: IMPROPER INSTALLATION CAN LEAD TO EQUIPMENT FALLING CAUSING SERIOUS PERSONAL INJURY OR DAMAGE TO EQUIPMENT! Overtightening of mounting hardware can damage the steel studs. DO NOT overtighten mounting hardware!

3. Install two 5/16-18 x 1/2" hex head cap screws (C) through two 5/16" washers (K) and into holes on mounting bracket and projector mount. (See Figure 11)

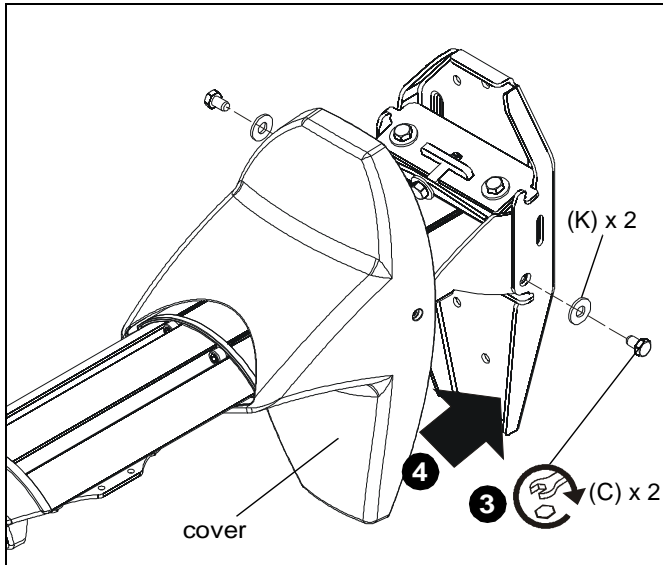


Figure 11

4. Slide outer cover of mount (A) back against mounting bracket. (See Figure 11)
5. Install two #8-32 x 3/4" Phillips pan machine screws (F) through holes on sides of outer cover. (See Figure 12)

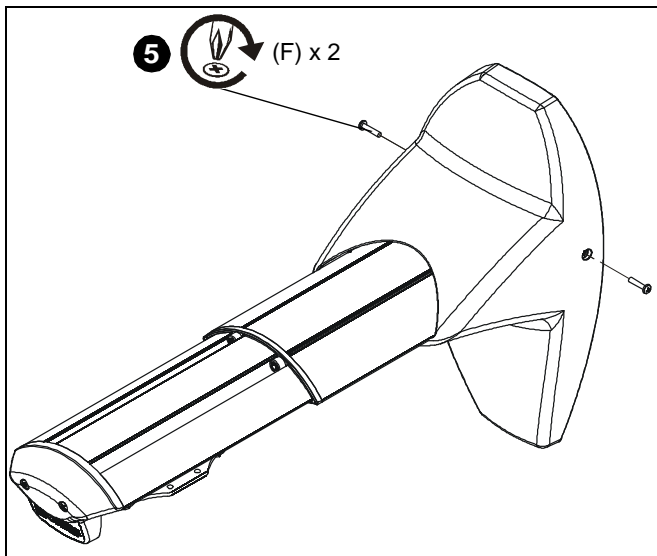


Figure 12

Projector Installation



WARNING: Exceeding the weight capacity can result in serious personal injury or damage to equipment! It is the installer's responsibility to make sure the combined weight of all components attached to the short throw projector mounts up to (and including) the projector does not exceed 50 lbs (22.68 kg) for the WM110 or the WM120 or 25 lbs (11.34 kg) for the WM130.

Refer to Figure 13 to determine hole configuration to use for each specific projector mount.

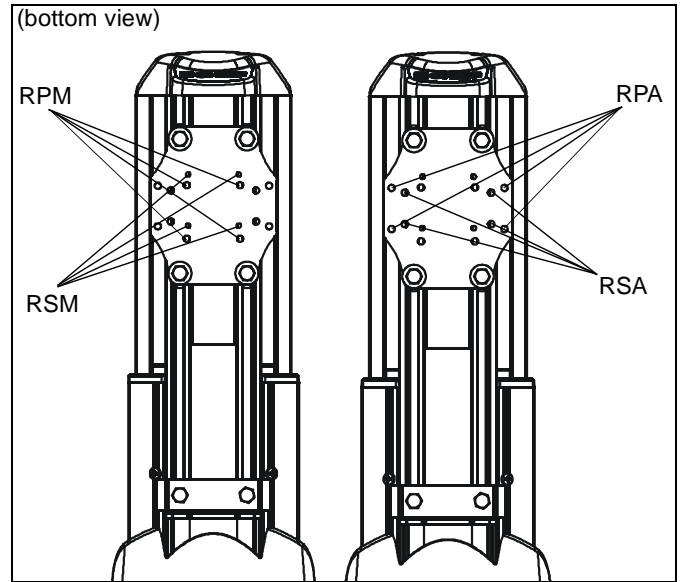


Figure 13

RPM Installation

1. Line up mounting holes on RPM mount with corresponding holes on projector mounting plate. (See Figure 13)
2. Install four 1/4-20 x 1 1/2" Phillips pan machine screws (E) through RPM holes and into projector mounting plate. (See Figure 14)

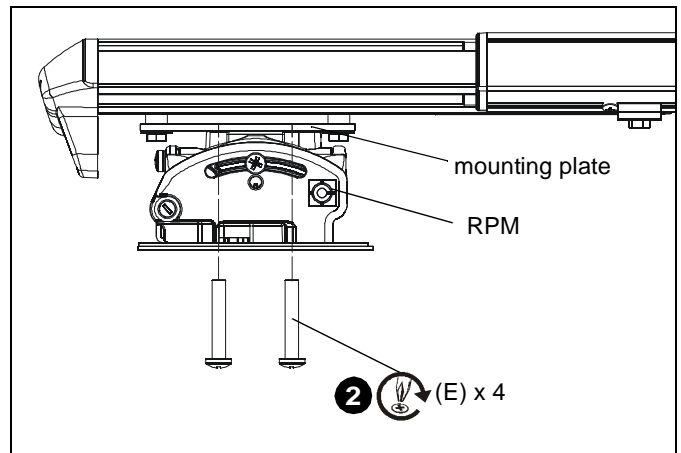


Figure 14

3. Install interface and projector to RPM according to RPM installation instructions.

RSM (not evaluated and tested by Underwriters Laboratories®) Installation

1. Line up mounting holes on RSM mount with corresponding holes on projector mounting plate. (See Figure 13)
2. Install four #10-24 x 1 3/8" Phillips pan machine screws (G) through RSM holes and into projector mounting plate. (See Figure 15)

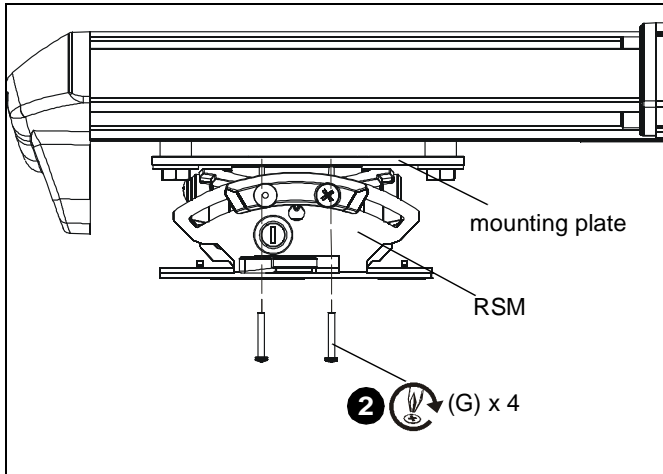


Figure 15

3. Install interface and projector to RSM according to RSM installation instructions.

RPA Installation

1. Line up mounting holes on RPA mount with corresponding holes on projector mounting plate. (See Figure 13)
2. Install four 1/4-20 x 3/8" Phillips pan machine screws (D) through RPA holes and into projector mounting plate. (See Figure 16)

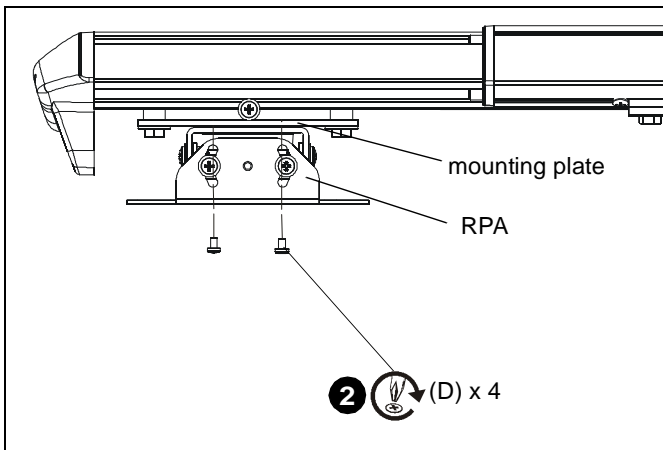


Figure 16

3. Install interface and projector to RPA according to RPA installation instructions.

RSA (not evaluated and tested by Underwriters Laboratories®) Installation

1. Line up mounting holes on RSA mount with corresponding holes on projector mounting plate. (See Figure 13)
2. Install four #10-24 x 3/8" Phillips pan machine screws (P) through RSA holes and into projector mounting plate. (See Figure 17)

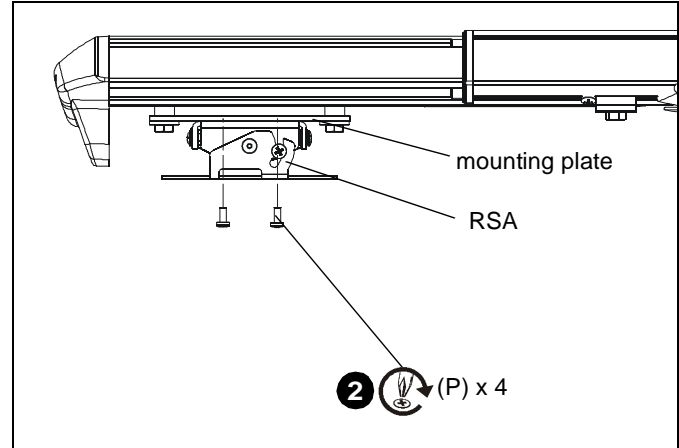


Figure 17

3. Install interface and projector to RSA according to RSA installation instructions.

Pitch Adjustment

1. Remove two #8-32 x 3/4" Phillips pan machine screws (F) to free outer cover from mounting bracket. (See Figure 18)

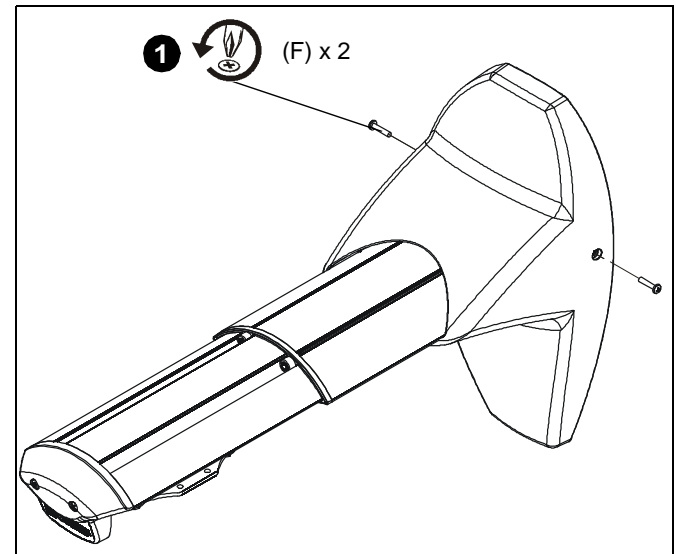


Figure 18

2. Slide outer cover of mount (A) away from mounting bracket to expose pitch adjustment screw. (See Figure 19)

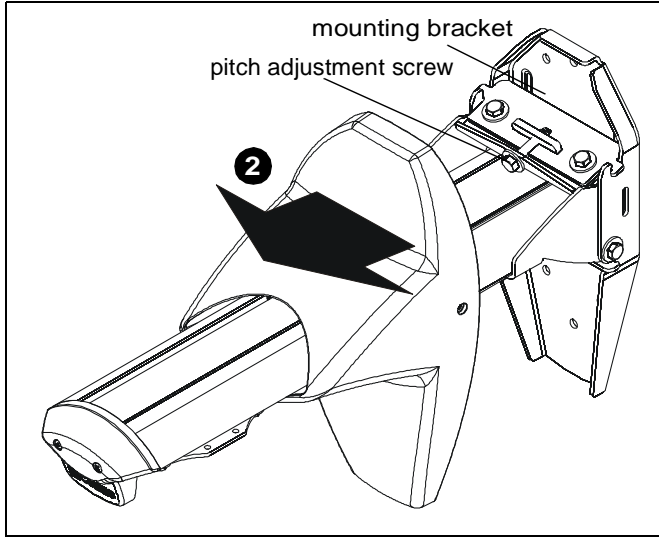


Figure 19

3. Loosen two 5/16-18 x 1/2" screws (C) on each side of mounting bracket. (See Figure 20)
4. Loosen two bolts on either side of pitch adjustment screw. (See Figure 20)
5. Adjust pitch adjustment screw until mount is at desired pitch level. Turn clockwise to raise mounting level or turn counterclockwise to lower mounting level. (See Figure 20)
6. Tighten two bolts on either side of pitch adjustment screw. (See Figure 20)
7. Tighten two 5/16-18 x 1/2" screws (C) on each side of mounting bracket. (See Figure 20)

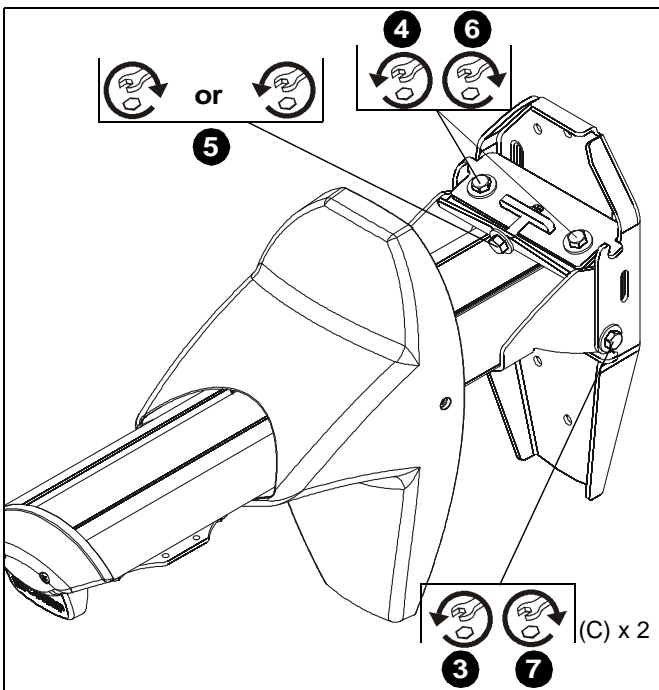


Figure 20

8. Slide outer cover of mount (A) back against mounting bracket.
9. Reinstall two #8-32 x 3/4" Phillips pan machine screws (F) through holes on sides of outer cover. (See Figure 21)

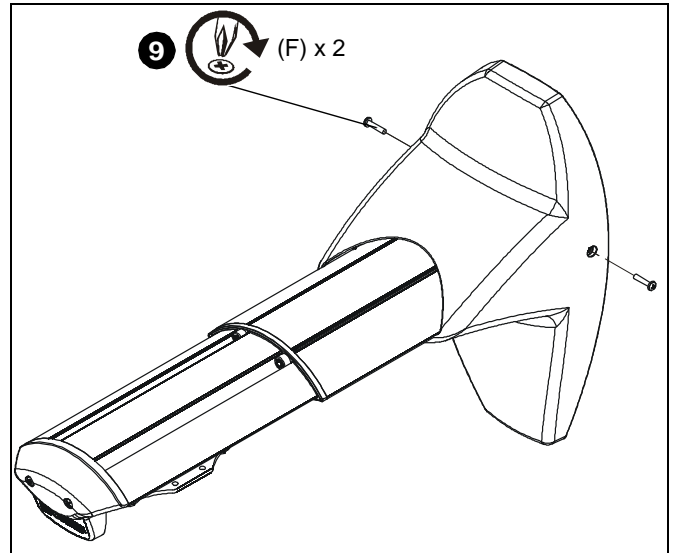


Figure 21

Cable Management (Optional)

1. Remove two #8-32 x 3/4" Phillips pan machine screws (F) to free outer cover from mounting bracket. (See Figure 22)

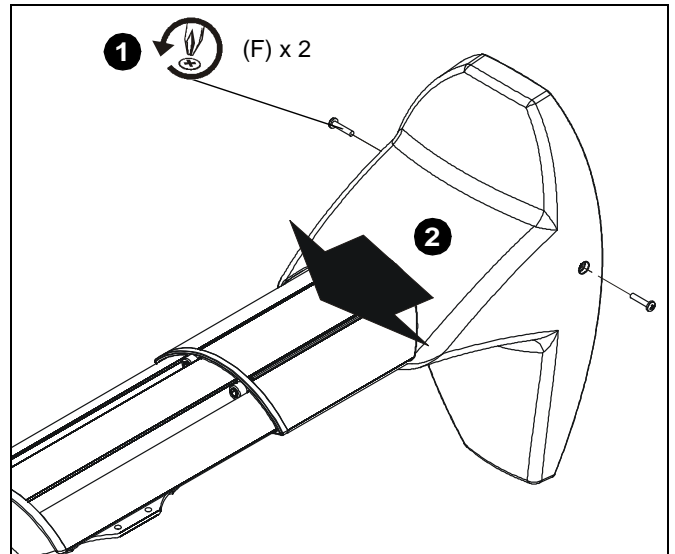


Figure 22

2. Slide outer cover of mount (A) away from mounting bracket. (See Figure 22)

NOTE: In most cases, cable management covers will NOT need to be removed in order to route cables from projector to the wall mount. But for some thick cables, removing the covers may be necessary.

3. Remove cable management covers (if necessary) from short throw projector arm. (See Figure 23)

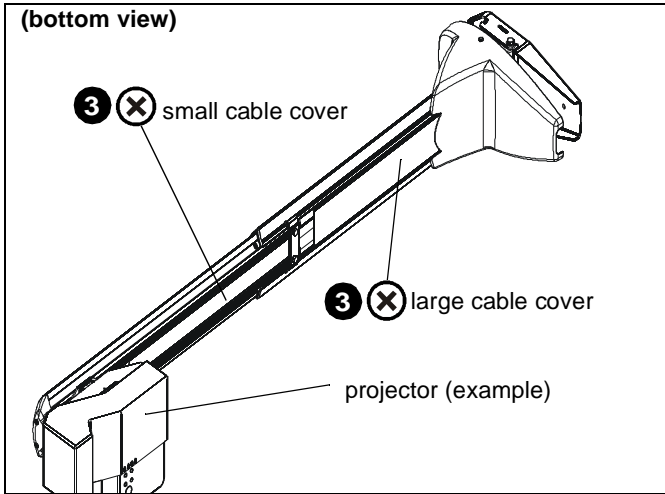


Figure 23

4. Route projector cable(s) under mount cover and through short throw projector arm tunnel. (See Figure 25)
5. (Optional) Cables can be tied to inside of projector's front cover using cable ties (not included). Route cables near front cover and wrap cable tie through slots on front cover and around cables. (See Figure 24)

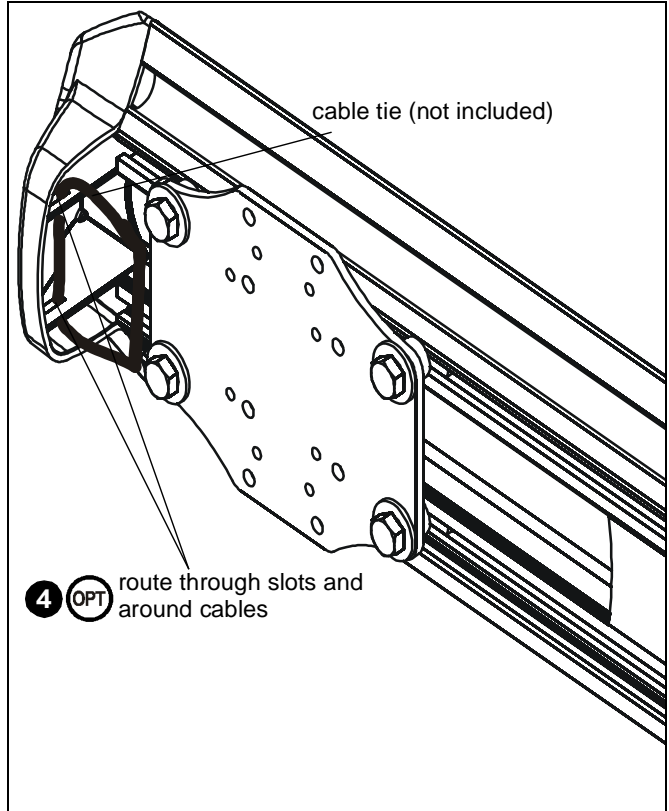


Figure 24

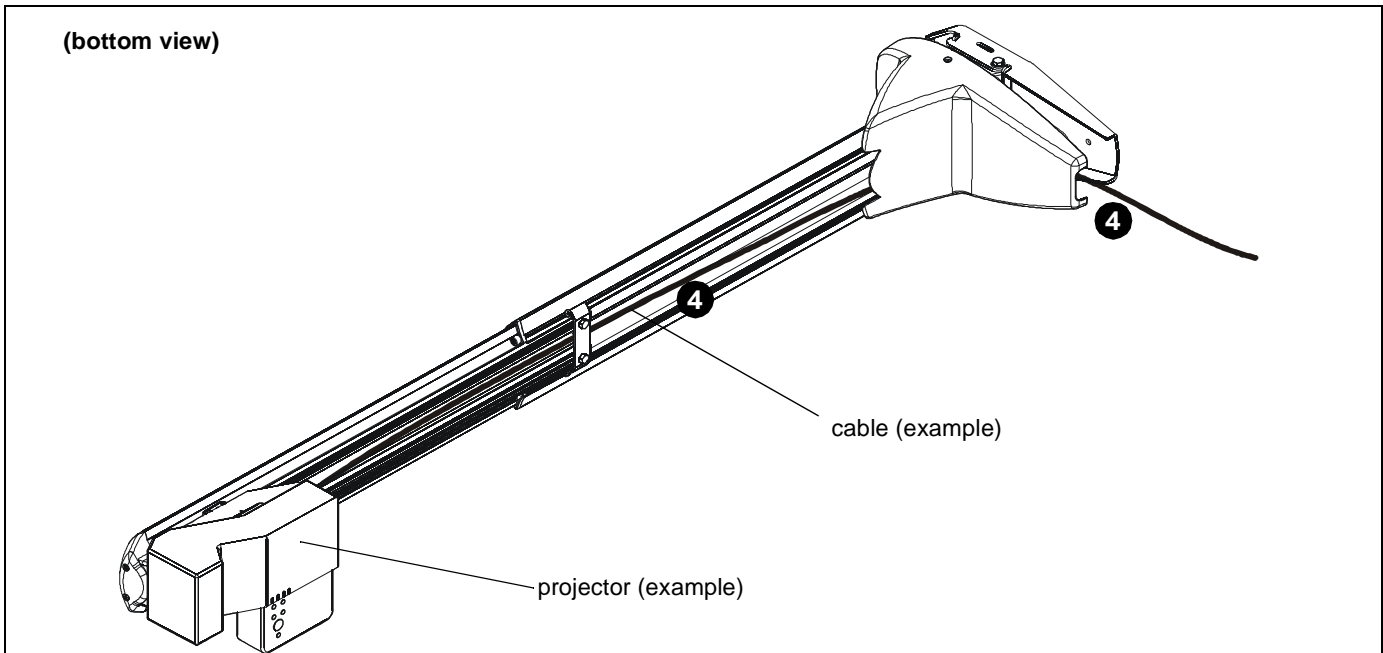


Figure 25

- Replace removed cable management covers (if necessary). Insert one side of cover into groove and press down firmly on the cover on the other side until it snaps into the other groove. (See Figure 26)

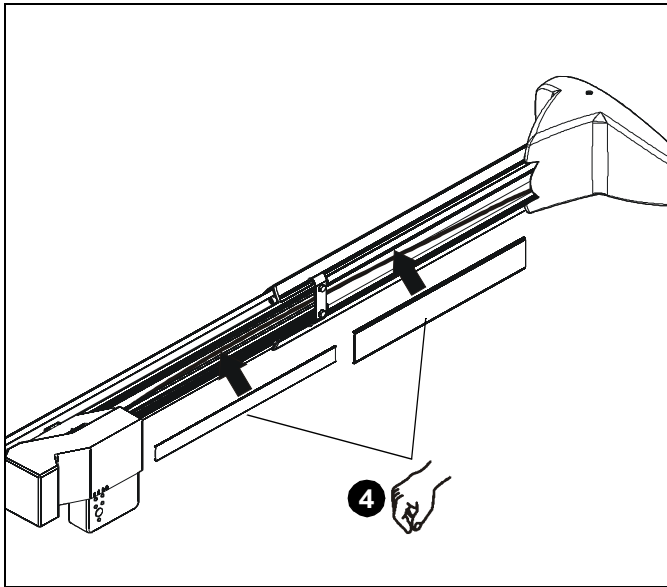


Figure 26

Extension Adjustment

- Loosen two bolts holding stop bracket in place on underside of short throw projector mount. (See Figure 27)
- Adjust mount to desired extension length. (See Figure 27)
- Tighten two bolts holding stop bracket to secure mount in desired position. (See Figure 27)

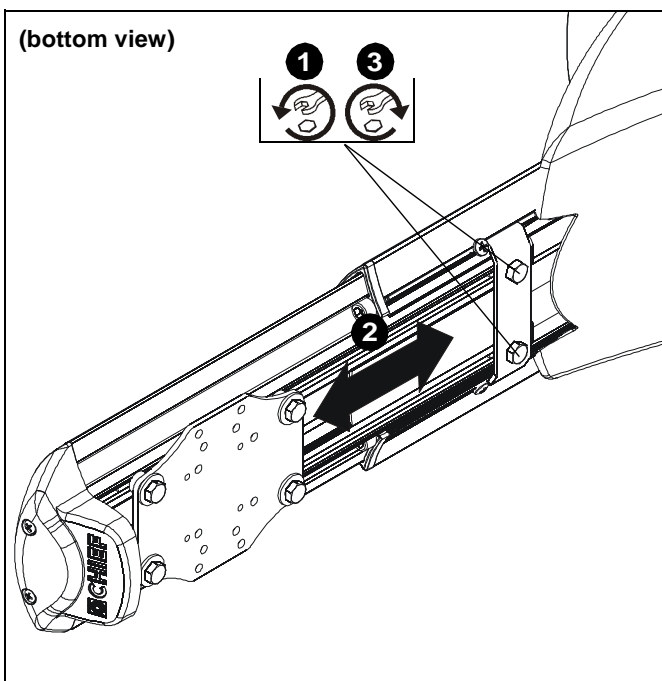


Figure 27

Security Screw Installation (Optional)

- Remove two #8-32 x 3/4" Phillips pan machine screws (F). (See Figure 28)
- Install two #8-32 x 3/4" button head security screws (S) into holes in mount cover. (See Figure 28)

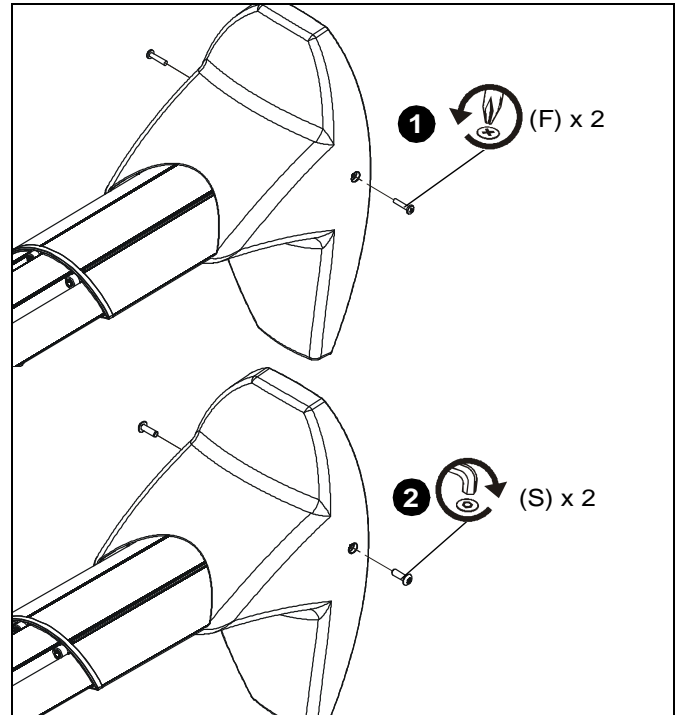


Figure 28

- Remove two bolts holding stop bracket in place on underside of short throw projector mount. (See Figure 29)

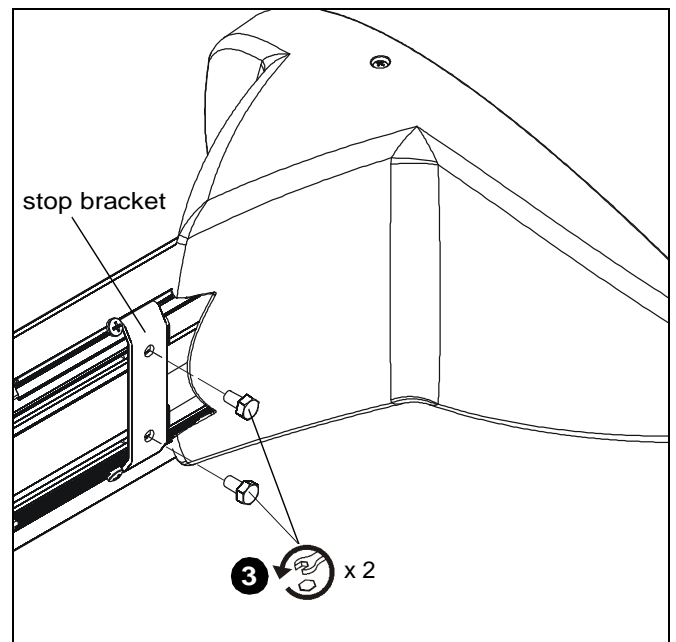


Figure 29

4. Install two 1/4-20 x 1/2" button head security screws (Q) through holes in stop bracket and into holes in sliding nuts. (See Figure 30)

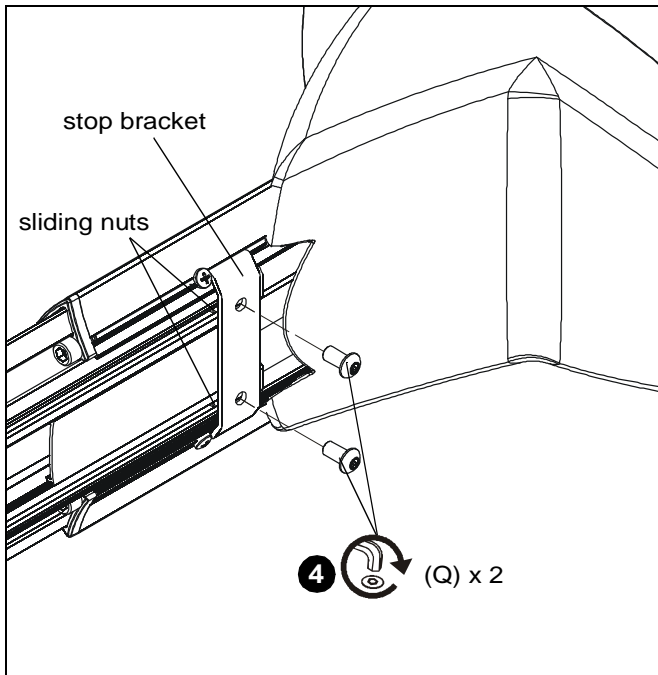


Figure 30

5. (Optional) Remove projector from short throw projector mount according to projector interface instructions.

NOTE: For most projectors, it will be necessary to remove projector prior to install four security screws to projector bracket. For ease of installation, it is recommended to remove projector prior to performing the following steps.

6. Remove one of four bolts from adapter plate. (See Figure 31)
7. Install one 1/4-20 x 3/4" button head security screw (R) into hole vacated by removing bolt in Step 6 and into plastic spacer. (See Figure 32)
8. Repeat Steps 6-7 for remaining three bolts one bolt at a time.



WARNING: It is important to replace adapter plate bolts ONE AT A TIME or adapter plate could fall from mount during installation!

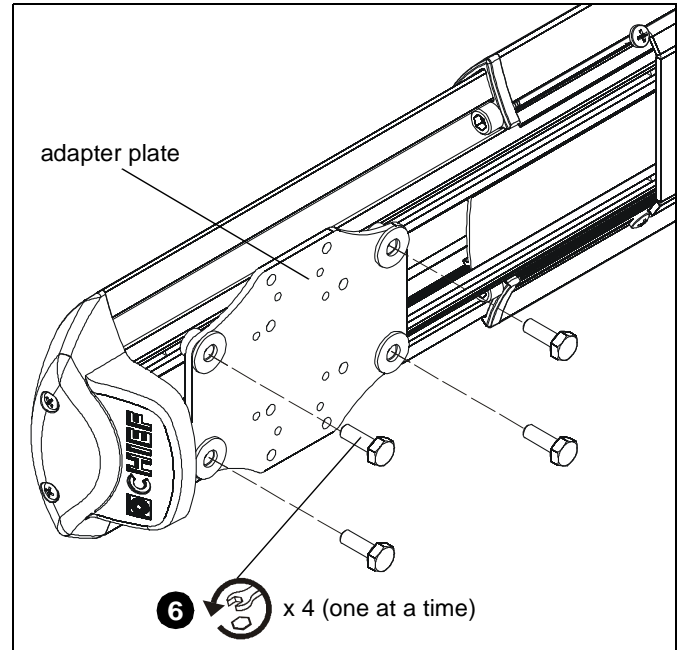


Figure 31

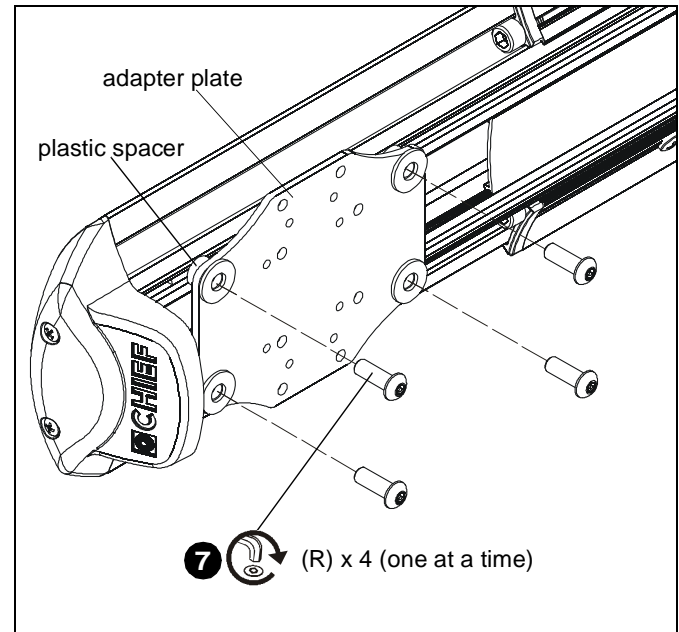


Figure 32

9. Reinstall projector according to interface instructions.

