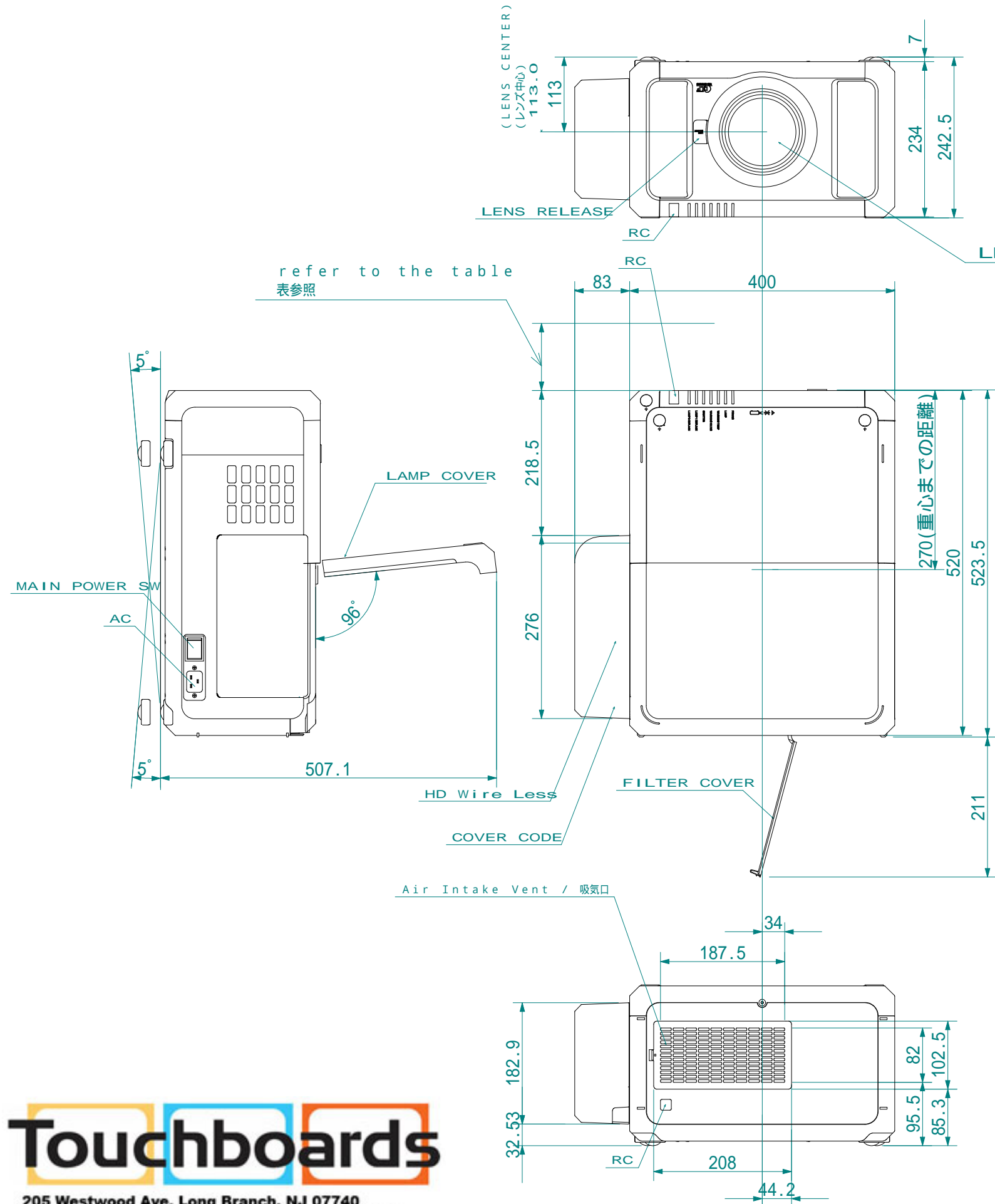


符号	年月日	訂正要領	担当



refer to the table  
表参照  
LNS-S50 (standard)

SET DIM : 400.0(W)X234.0(H)X520.0(D)

SET DIM : 483.0(W)X242.5(H)X524.2(624.0) (D)

(including projection)

(突起物含む)



205 Westwood Ave, Long Branch, NJ 07740  
Phone: 866-94 BOARDS (26273) / (732)-222-1511  
Fax: (732)-222-7088 | E-mail: sales@touchboards.com

映機工業株式会社			APPROVE	CHECKED	DESIGNED	DRAWN	PART NAME/PART NAME
PLOT DATE	10/10/27	SCALE	1/7			内田	外觀図
MATERIAL	UNIT	WEIGHT	PART CODE			DRAWING NUMBER	
			EIP-HDT30				