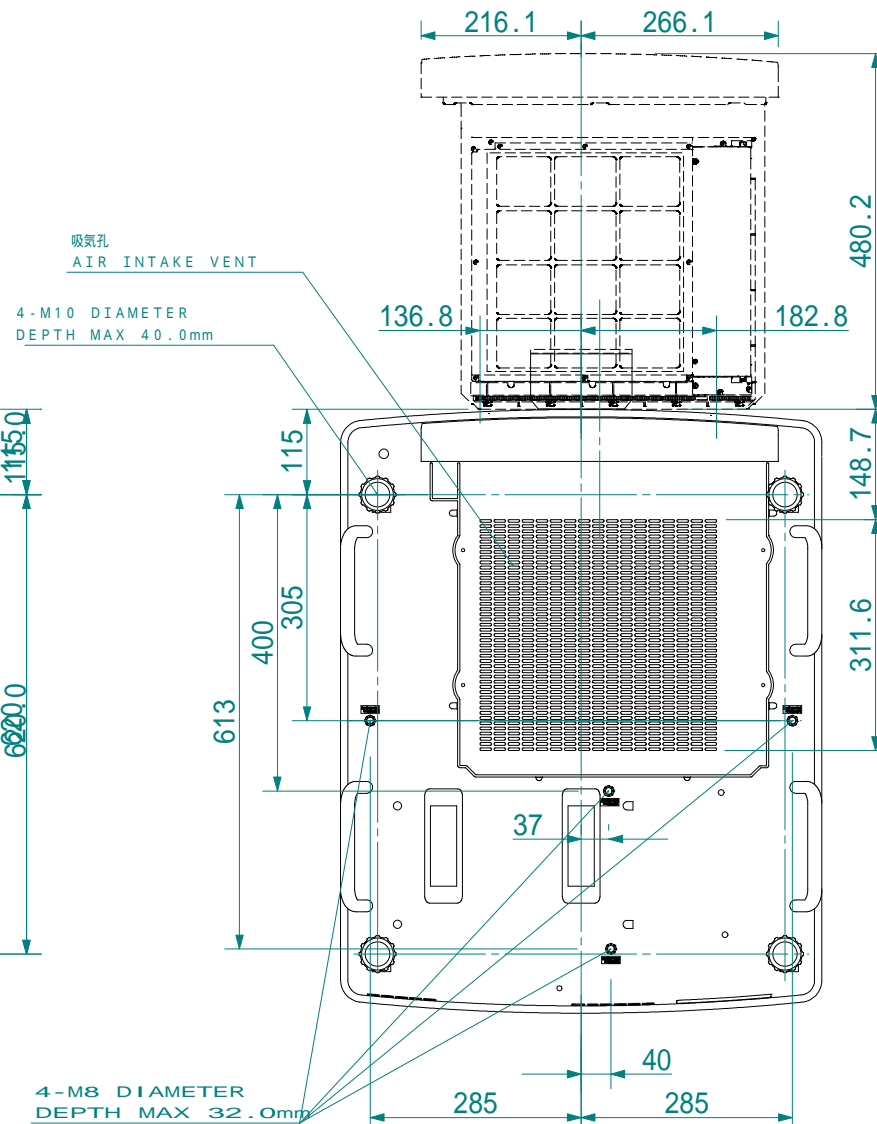
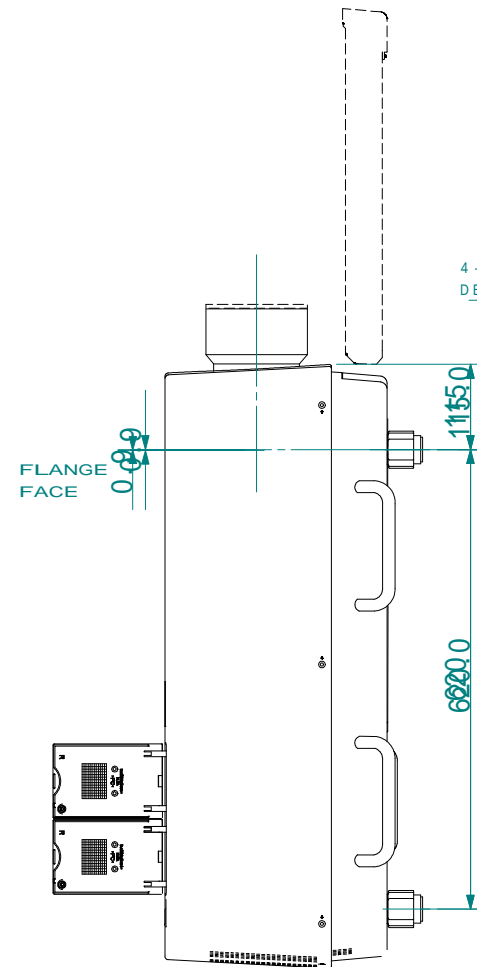
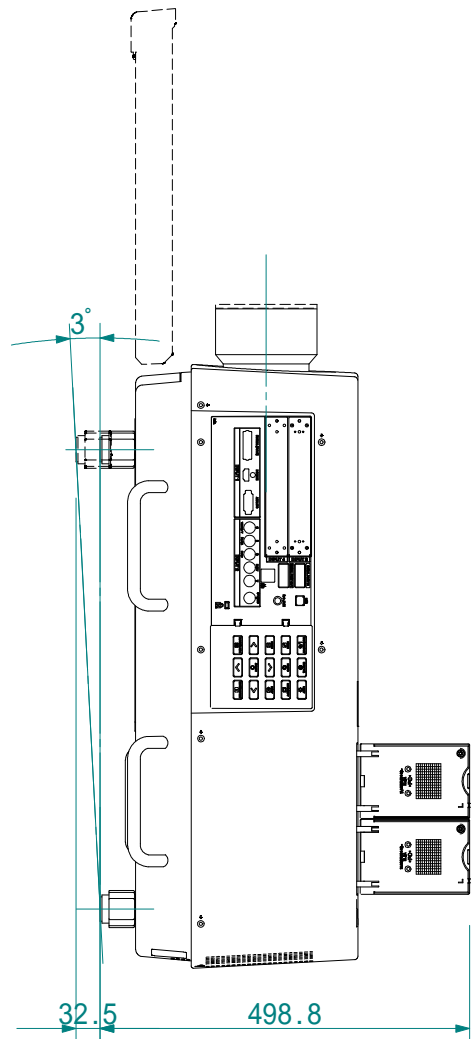
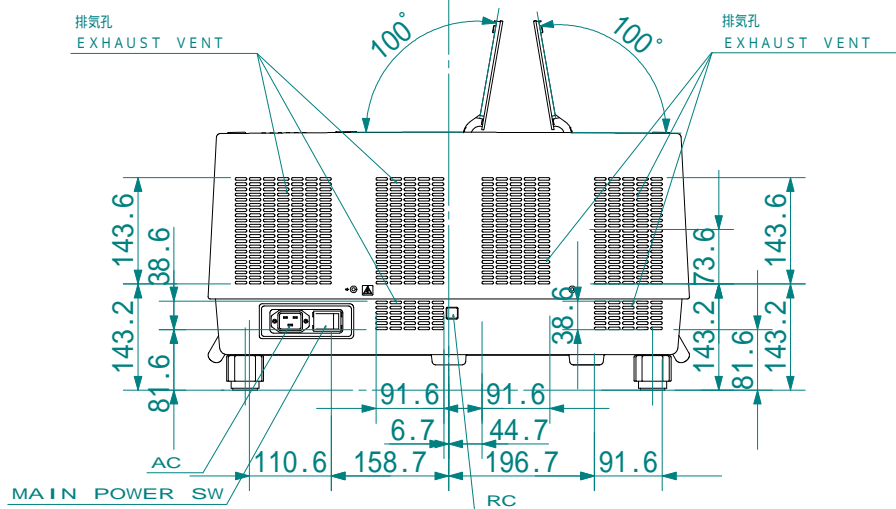
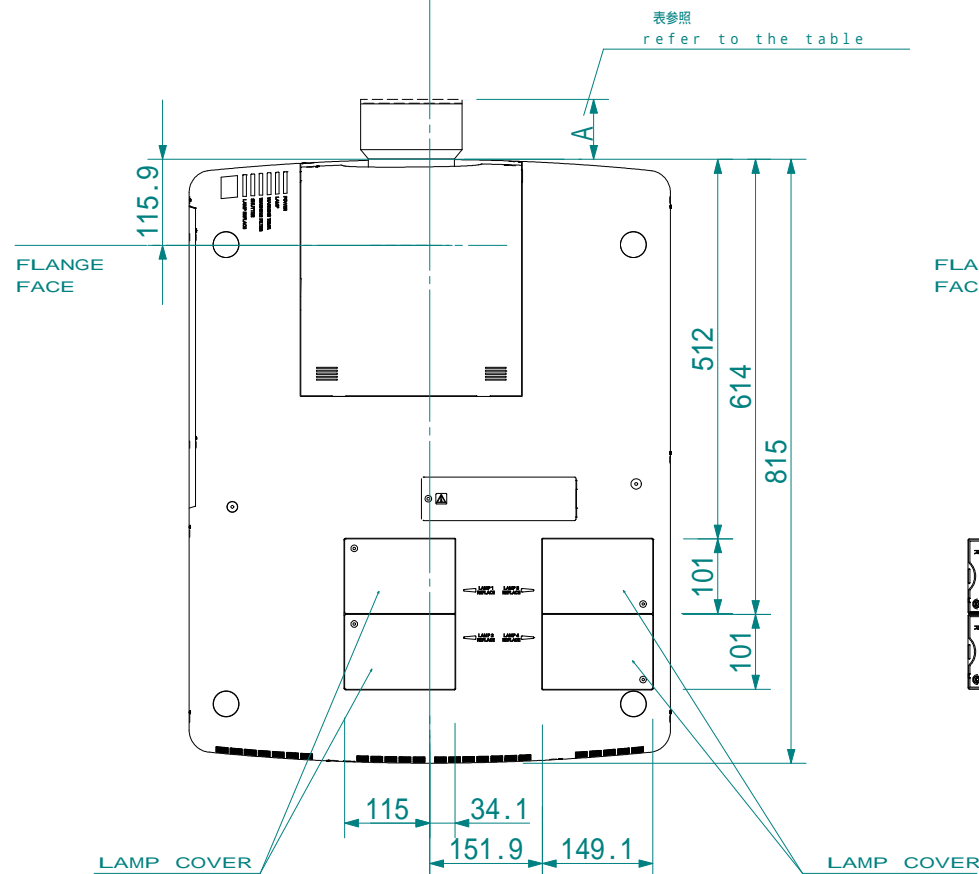
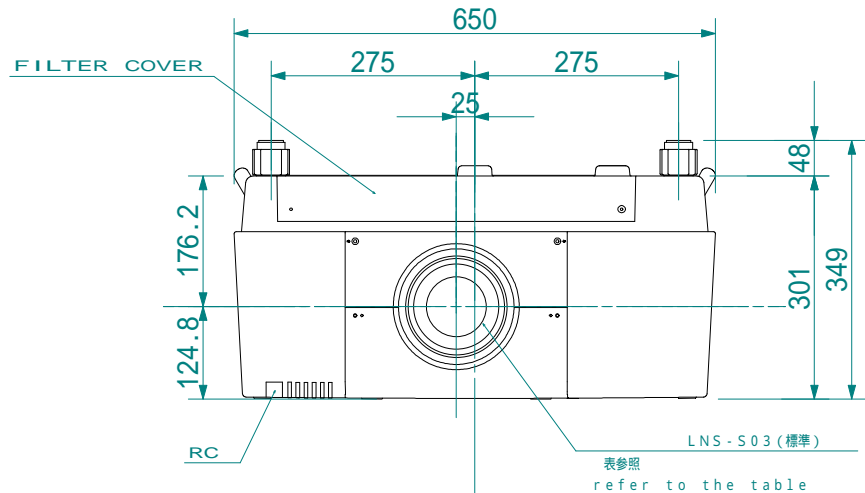


レンズ	A		(標準)
	(挿り出しMIN)	(挿り出しMAX)	
LNS-S03	74.9	80.8	
LNS-S04	70.5 (固定)		
LNS-T01Z	34.1	44.7	
LNS-T02	60.9	67.0	
LNS-T03	265.4	292.8	
LNS-M02	69.8	84.8	
LNS-W01Z	57.5 (固定)		
LNS-W02Z	18.9	21.7	
LNS-W03	57.1 (固定)		
LNS-W04	42.3	45.4	
LNS-W06	66.3	69.4	



処理加工		図面訂正欄		
符号	年月日	訂正要領	担当	

KL8A		mm
(SET DIM : 650.0(W)X301.0(H)X815.0(D))		
SET DIM : 650.0(W)X349.0(H)X815.0(D) (突起物含む including protrusion)		
SET DIM : 650.0(W)X349.0(H)X895.8(D) (突起物含む including protrusion) 標準レンズ装着時		
MK	DATE	REVISION
-	2010.10.21	



205 Westwood Ave, Long Branch, NJ 07740
 Phone: 866-94 BOARDS (26273) / (732)-222-1511
 Fax: (732)-222-7088 | E-mail: sales@touchboards.com

映機工業株式会社				APPROVE	CHECKED	DESIGNED	DRAWN	PART NAME/PART NAME	
PLOT DATE	10/11/12	SCALE	1/10				内田	外観図	
MATERIAL	UNIT	WEIGHT	PART CODE			DRAWING NUMBER			
			LC-HDT2000						