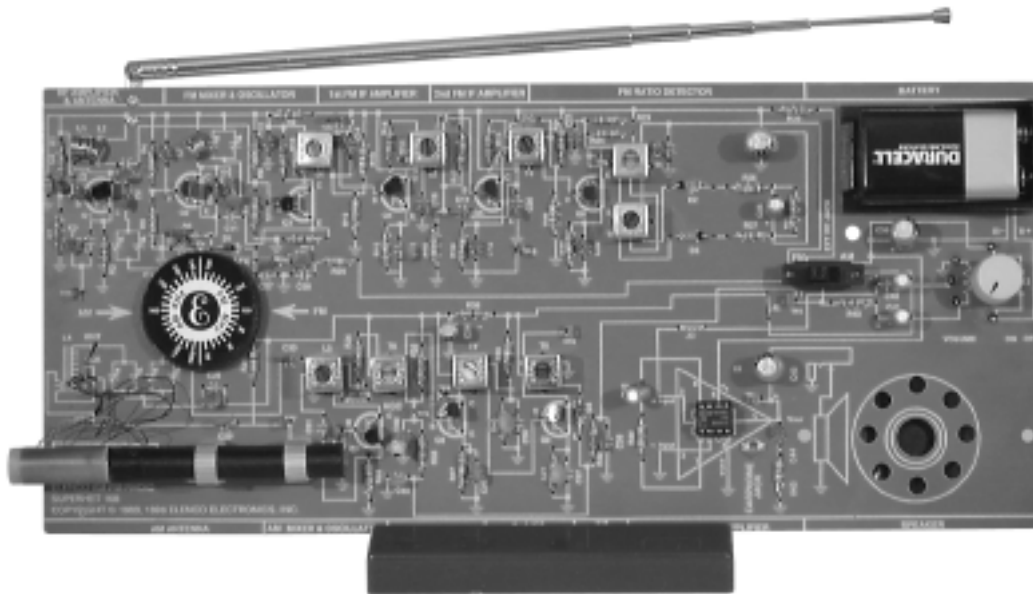


AM/FM RADIO KIT

MODEL AM/FM-108K
INTEGRAL CIRCUIT, 9 TRANSISTORS, 4 DIODES



Assembly and Instruction Manual

Elenco™ Electronics, Inc.

The AM/FM Radio project is divided into two parts, the AM Radio Section and the FM Radio Section. At this time, only identify the parts that you will need for the AM radio as listed below. DO NOT OPEN the bags listed for the FM radio. A separate parts list will be shown for the FM radio after you have completed the AM radio.

PARTS LIST FOR THE AM RADIO SECTION

If you are a student, and any parts are missing or damaged, please see instructor or bookstore.

If you purchased this kit from a distributor, catalog, etc., please contact Elenco™ Electronics (address/phone/e-mail is at the back of this manual) for additional assistance, if needed. **DO NOT** contact your place of purchase as they will not be able to help you.

RESISTORS

Qty.	Symbol	Value	Color Code	Part #
<input type="checkbox"/> 1	R45	10Ω 5% 1/4W	brown-black-black-gold	121000
<input type="checkbox"/> 1	R44	47Ω 5% 1/4W	yellow-violet-black-gold	124700
<input type="checkbox"/> 2	R38, 43	100Ω 5% 1/4W	brown-black-brown-gold	131000
<input type="checkbox"/> 1	R41	470Ω 5% 1/4W	yellow-violet-brown-gold	134700
<input type="checkbox"/> 1	R37	1kΩ 5% 1/4W	brown-black-red-gold	141000
<input type="checkbox"/> 1	R42	2.2kΩ 5% 1/4W	red-red-red-gold	142200
<input type="checkbox"/> 2	R33, 36	3.3kΩ 5% 1/4W	orange-orange-red-gold	143300
<input type="checkbox"/> 1	R40	10kΩ 5% 1/4W	brown-black-orange-gold	151000
<input type="checkbox"/> 1	R32	12kΩ 5% 1/4W	brown-red-orange-gold	151200
<input type="checkbox"/> 1	R35	27kΩ 5% 1/4W	red-violet-orange-gold	152700
<input type="checkbox"/> 1	R39	39kΩ 5% 1/4W	orange-white-orange-gold	153900
<input type="checkbox"/> 1	R31	56kΩ 5% 1/4W	green-blue-orange-gold	155600
<input type="checkbox"/> 1	R34	1MΩ 5% 1/4W	brown-black-green-gold	171000
<input type="checkbox"/> 1	Volume/S2	50kΩ / SW	Pot/SW with nut and washer	192522

CAPACITORS

Qty.	Symbol	Value	Description	Part #
<input type="checkbox"/> 1	C1	Variable	Tuning Gang AM/FM	299904
<input type="checkbox"/> 1	C30	150pF	Discap (151)	221510
<input type="checkbox"/> 2	C31, 38	.01μF	Discap (103)	241031
<input type="checkbox"/> 5	C29, 33, 35, 36, 37	.02μF or .022μF	Discap (203) or (223)	242010
<input type="checkbox"/> 1	C44	.047μF	Discap (473)	244780
<input type="checkbox"/> 1	C28	.1μF	Discap (104)	251010
<input type="checkbox"/> 4	C32, 40, 41, 42	10μF	Electrolytic Radial (Lytic)	271045
<input type="checkbox"/> 1	C34	100μF	Electrolytic Radial (Lytic)	281044
<input type="checkbox"/> 2	C39, 43	470μF	Electrolytic Radial (Lytic)	284744

SEMICONDUCTORS

Qty.	Symbol	Value	Description	Part #
<input type="checkbox"/> 1	D4	1N4148	Diode	314148
<input type="checkbox"/> 3	Q7, 8, 9	2N3904	Transistor NPN	323904
<input type="checkbox"/> 1	U1	LM-386	Integrated Circuit	330386

COILS

Qty.	Symbol	Color	Description	Part #
<input type="checkbox"/> 1	L5	Red	AM Oscillator	430057
<input type="checkbox"/> 1	T6	Yellow	AM IF	430260
<input type="checkbox"/> 1	T7	White	AM IF	430262
<input type="checkbox"/> 1	T8	Black	AM IF	430264
<input type="checkbox"/> 1	L4		AM Antenna with Holders	484004

MAGIC WAND

Qty.	Description	Part #
<input type="checkbox"/> 1	Iron Core	461000
<input type="checkbox"/> 1	Brass Core	661150
<input type="checkbox"/> 4"	Shrink Tubing	890120

MISCELLANEOUS

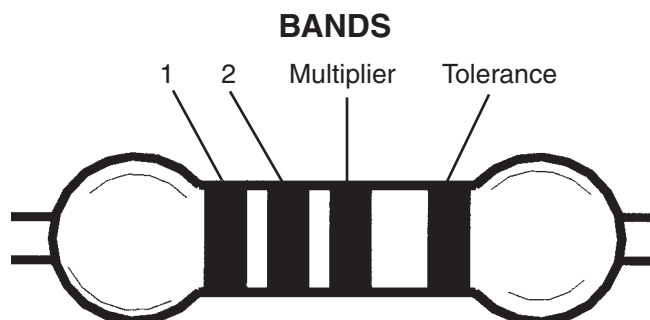
Qty.	Description	Part #	Qty.	Description	Part #
<input type="checkbox"/> 1	PC Board	517055	<input type="checkbox"/> 3	Screw 2-56 x 1/4"	641230
<input type="checkbox"/> 1	Switch	541023	<input type="checkbox"/> 3	Screw #3	641310
<input type="checkbox"/> 1	Battery Holder	590096	<input type="checkbox"/> 3	Nut 2-56	644201
<input type="checkbox"/> 1	Speaker	590102	<input type="checkbox"/> 1	Plastic Washer	645108
<input type="checkbox"/> 1	Speaker Pad	780128	<input type="checkbox"/> 1	Socket 8-Pin	664008
<input type="checkbox"/> 1	Knob (pot)	622017	<input type="checkbox"/> 8	Test Point Pin	665008
<input type="checkbox"/> 1	Knob (dial)	622030	<input type="checkbox"/> 1	Label AM/FM	723508
<input type="checkbox"/> 1	Earphone Jack with Nut	622130 or 622131	<input type="checkbox"/> 1	Manual	753508
<input type="checkbox"/> 1	Radio Stand	626100	<input type="checkbox"/> 8"	Wire 22 insulated	814520
<input type="checkbox"/> 1	Earphone	629250	<input type="checkbox"/> 1	Solder	9ST4

**** SAVE THE BOX THAT THIS KIT CAME IN. IT WILL BE USED ON PAGES 23 & 52. ****

IDENTIFYING RESISTOR VALUES

Use the following information as a guide in properly identifying the value of resistors.

BAND 1 1st Digit		BAND 2 2nd Digit		Multiplier		Resistance Tolerance	
Color	Digit	Color	Digit	Color	Multiplier	Color	Tolerance
Black	0	Black	0	Black	1	Silver	$\pm 10\%$
Brown	1	Brown	1	Brown	10	Gold	$\pm 5\%$
Red	2	Red	2	Red	100	Brown	$\pm 1\%$
Orange	3	Orange	3	Orange	1,000	Red	$\pm 2\%$
Yellow	4	Yellow	4	Yellow	10,000	Orange	$\pm 3\%$
Green	5	Green	5	Green	100,000	Green	$\pm .5\%$
Blue	6	Blue	6	Blue	1,000,000	Blue	$\pm .25\%$
Violet	7	Violet	7	Silver	0.01	Violet	$\pm .1\%$
Gray	8	Gray	8	Gold	0.1		
White	9	White	9				

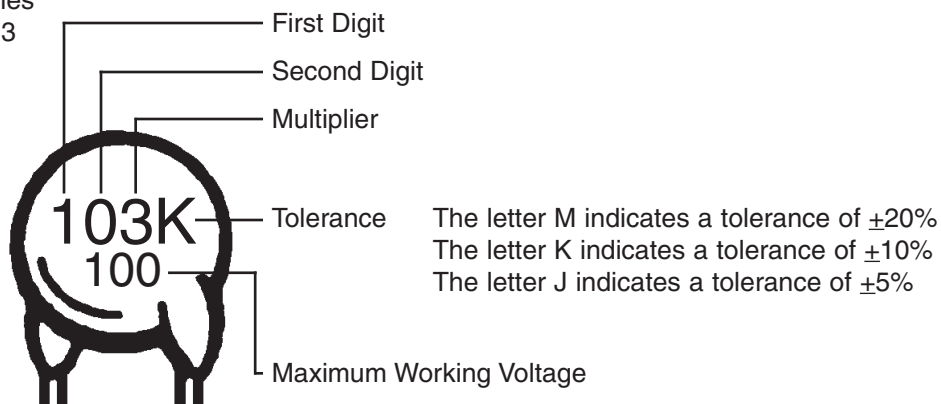


IDENTIFYING CAPACITOR VALUES

Capacitors will be identified by their capacitance value in pF (picofarads), nF (nanofarads), or μF (microfarads). Most capacitors will have their actual value printed on them. Some capacitors may have their value printed in the following manner. The maximum operating voltage may also be printed on the capacitor.

Multiplier	For the No.	0	1	2	3	4	5	8	9
	Multiply By	1	10	100	1k	10k	100k	.01	0.1

Note: The letter "R" may be used at times to signify a decimal point; as in 3R3 = 3.3



The value is $10 \times 1,000 = 10,000\text{pF}$ or $.01\mu\text{F}$ 100V

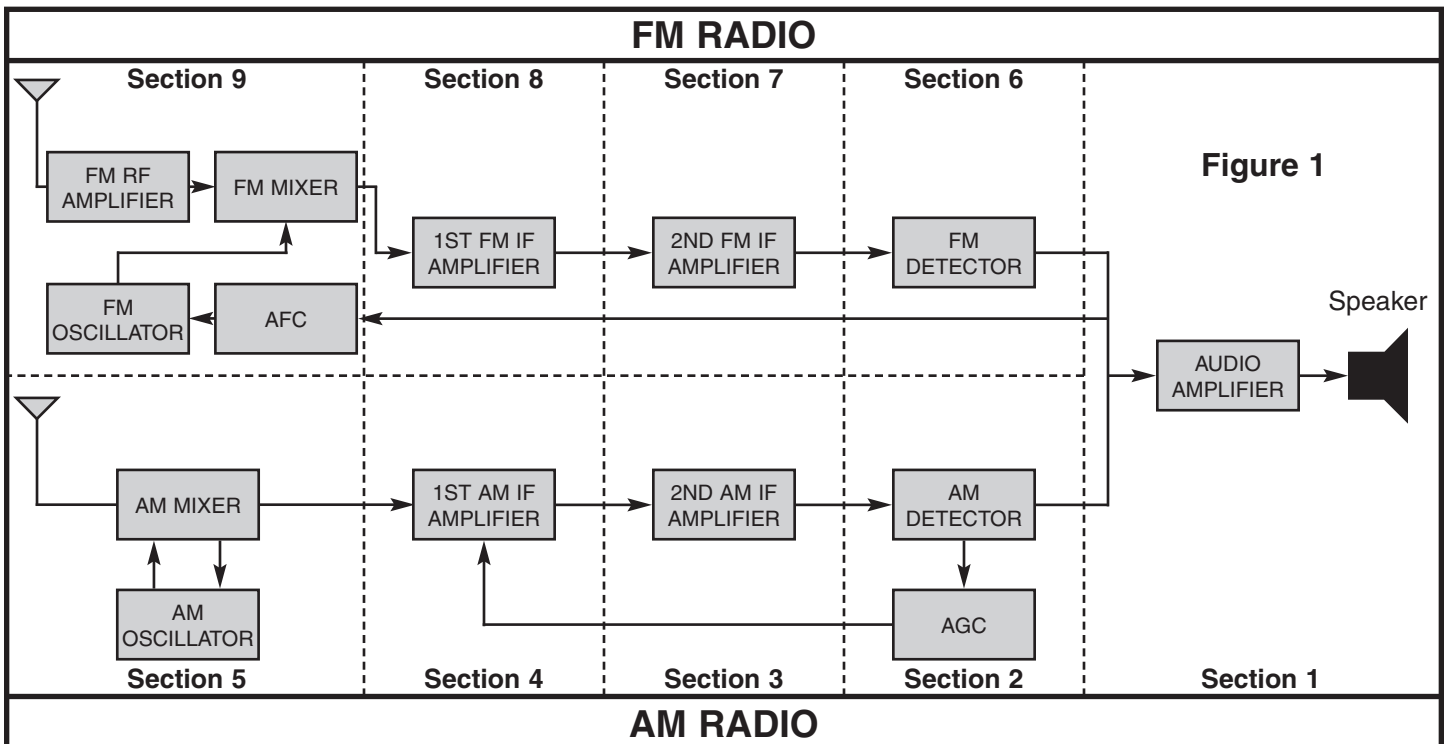
INTRODUCTION

The Elenco™ Superhet 108 AM/FM Radio Kit is a “superheterodyne” receiver of the standard AM (amplitude modulation) and FM (frequency modulation) broadcast frequencies. The unique design of the Superhet 108 allows you to place the parts over their corresponding symbol in the schematic drawing on the surface of the printed circuit board during assembly. This technique maximizes the learning process while keeping the chances of an assembly error at a minimum. It is very important, however, that good soldering practices are used to prevent bad connections. The Soldering Guide should be reviewed before any soldering is attempted.

The actual assembly is broken down into 9 sections. The theory of operation for each section, or stage, should be read

before the assembly is started. This will provide the student with an understanding of what that stage has been designed to accomplish, and how it actually works. After each assembly, you will be instructed to make certain tests and measurements to prove that each section is functioning properly. If a test fails to produce the proper results, a troubleshooting guide is provided to help you correct the problem. If test equipment is available, further measurements and calculations are demonstrated to allow each student to verify that each stage meets the engineering specifications. After all of the stages have been built and tested, a final alignment procedure is provided to peak the performance of the receiver and maximize the Superhet 108’s reception capabilities.

GENERAL DISCUSSION



The purpose of Section 1, the Audio Amplifier Stage, is to increase the power of the audio signal received from either detector to a power level capable of driving the speaker. Section 2 includes the AM detector circuit and the AGC (automatic gain control) stage. The AM detector converts the amplitude modulated IF (intermediate frequency) signal to a low level audio signal. The AGC stage feeds back a DC voltage to the first AM IF amplifier in order to maintain a near constant level of audio at the detector. Section 3 is the second AM IF amplifier. The second AM IF amplifier is tuned to 455kHz (Kilohertz) and has a fixed gain at this frequency of 50. Section 4 is the first AM IF 2 amplifier which has a variable gain that depends on the AGC voltage received from the AGC stage. The first AM IF amplifier is also tuned to 455kHz. Section 5 includes the AM mixer, AM oscillator and AM antenna stages. When the radio wave passes through the antenna, it induces a small voltage across the antenna coil. This voltage is coupled to the mixer, or converter, stage to be changed to a frequency of 455kHz. This change is accomplished by mixing (heterodyning) the radio frequency signal with the oscillator signal. Section 6 is the FM ratio

detector circuit. The FM ratio detector has a fixed gain of about 20. Section 7 is the second FM IF amplifier. The second FM IF amplifier is tuned to 10.7MHz (Megahertz) and has a set gain of approximately 20. The 3dB bandwidth of this stage should be approximately 350kHz. Section 8 is the first FM IF amplifier. The first FM IF amplifier is also tuned to 10.7MHz and has a set gain of approximately 10. It also has a 3dB bandwidth of 350kHz. Section 9 includes the FM mixer, FM oscillator, FM RF (Radio Frequency) amplifier, AFC (Automatic Frequency Control) stage, and the FM antenna. The incoming radio waves are amplified by the FM RF amplifier, which is tuned to a desired radio station in the FM frequency bandwidth of 88MHz to 108MHz. These amplified signals are then coupled to the FM mixer stage to be changed to a frequency of 10.7MHz. This change, as in AM, is accomplished by heterodyning the radio frequency signal with the oscillator signal. The AFC stage feeds back a DC voltage to the FM oscillator to prevent the oscillator from drifting. Each of these blocks will be explained in detail in the Theory of Operation given before the assembly instructions for that stage.

CONSTRUCTION

Introduction

The most important factor in assembling your Superhet 108 AM/FM Radio Kit is good soldering techniques. Using the proper soldering iron is of prime importance. A small pencil type soldering iron of 25 - 40 watts is recommended. **The tip of the iron must be kept clean at all times and well tinned.**

Safety Procedures

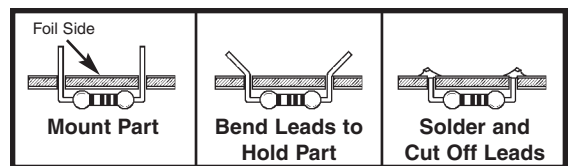
- Wear eye protection when soldering.
- Locate soldering iron in an area where you do not have to go around it or reach over it.
- **Do not hold solder in your mouth.** Solder contains lead and is a toxic substance. Wash your hands thoroughly after handling solder.
- Be sure that there is adequate ventilation present.

Assemble Components

In all of the following assembly steps, the components must be installed on the top side of the PC board unless otherwise indicated. The top legend shows where each component goes. The leads pass through the corresponding holes in the board and are soldered on the foil side.

Use only rosin core solder of 63/37 alloy.

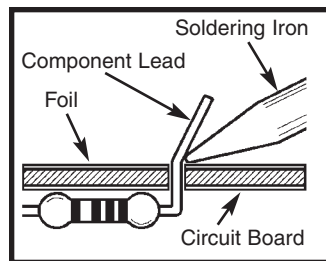
DO NOT USE ACID CORE SOLDER!



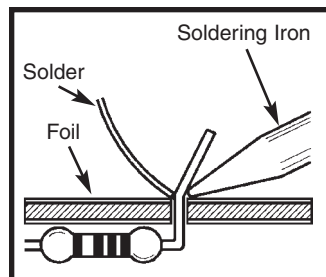
What Good Soldering Looks Like

A good solder connection should be bright, shiny, smooth, and uniformly flowed over all surfaces.

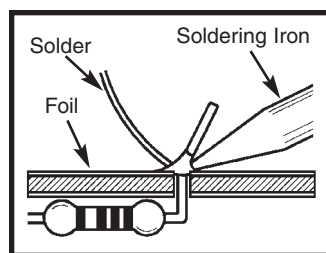
1. Solder all components from the copper foil side only. Push the soldering iron tip against both the lead and the circuit board foil.



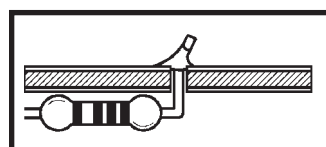
2. Apply a small amount of solder to the iron tip. This allows the heat to leave the iron and onto the foil. Immediately apply solder to the opposite side of the connection, away from the iron. Allow the heated component and the circuit foil to melt the solder.



3. Allow the solder to flow around the connection. Then, remove the solder and the iron and let the connection cool. The solder should have flowed smoothly and not lump around the wire lead.

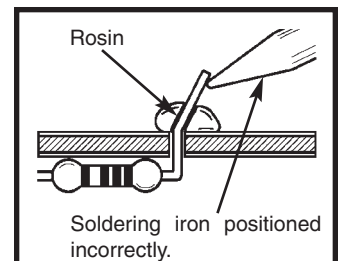


4. Here is what a good solder connection looks like.

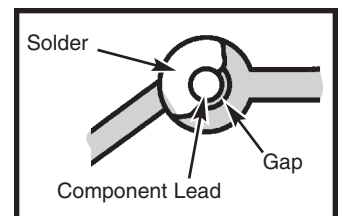


Types of Poor Soldering Connections

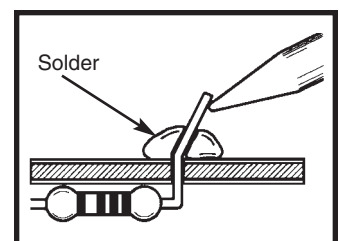
1. **Insufficient heat** - the solder will not flow onto the lead as shown.



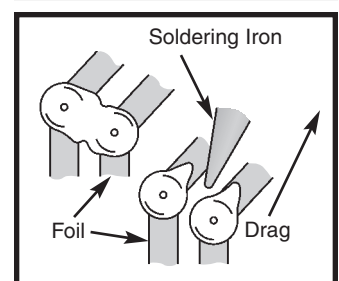
2. **Insufficient solder** - let the solder flow over the connection until it is covered. Use just enough solder to cover the connection.



3. **Excessive solder** - could make connections that you did not intend to between adjacent foil areas or terminals.



4. **Solder bridges** - occur when solder runs between circuit paths and creates a short circuit. This is usually caused by using too much solder. To correct this, simply drag your soldering iron across the solder bridge as shown.



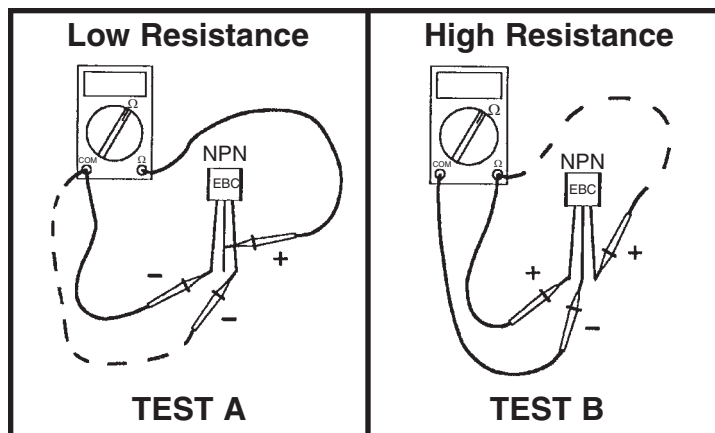
SEMICONDUCTOR PARTS FAMILIARIZATION

This section will familiarize you with the proper method used to test the transistors and the diode.

TRANSISTOR TEST

Refer to the parts list and find transistors. These are NPN transistors. Refer to Test A for locating the Emitter, Base and Collector. Using an Ohmmeter, connect the transistor as shown in Test A. Your meter should be reading a low resistance. Switch the lead from the Emitter to the Collector. Your meter should again be reading a low resistance.

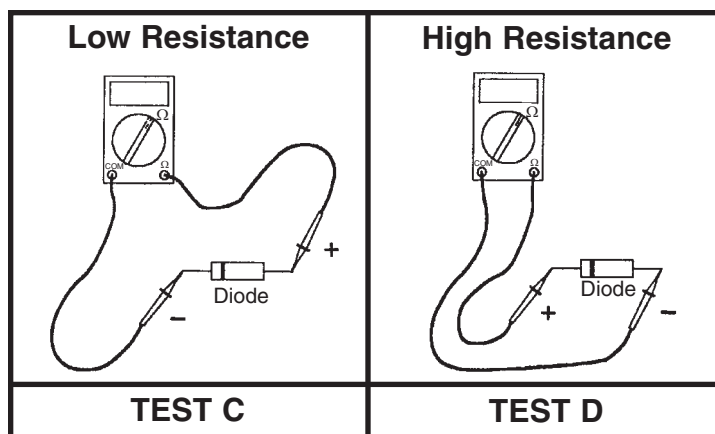
Using an Ohmmeter, connect the transistor as shown in Test B. Your meter should be reading a high resistance. Switch the lead from the Emitter to the Collector. Your meter should again be reading a high resistance. Typical results read approximately $1M\Omega$ to infinity.



DIODE TEST

Refer to the parts list and find a diode. This is a silicon 1N4148 diode. Refer to Test C for locating the Cathode and Anode. The end with the band is the cathode. Using an Ohmmeter, connect the diode as shown in Test C. Your meter should be reading a low

resistance. Using an Ohmmeter, connect the diode as shown in Test D. Your meter should be reading a high resistance. Typical results read approximately $1M\Omega$ to infinity.



SECTION 1

AUDIO AMPLIFIER

The purpose of the Audio Amplifier is to increase the audio power to a level sufficient to drive an 8 ohm speaker. To do this, DC (direct current) from the battery is converted by the amplifier to an AC (alternating current) in the speaker. The ratio of the power delivered to the speaker and the power taken from the battery is the efficiency of the amplifier. For the Audio Amplifier, we use the integrated circuit (IC) LM-386. In Figure 2, you can see equivalent schematic and connection diagrams.

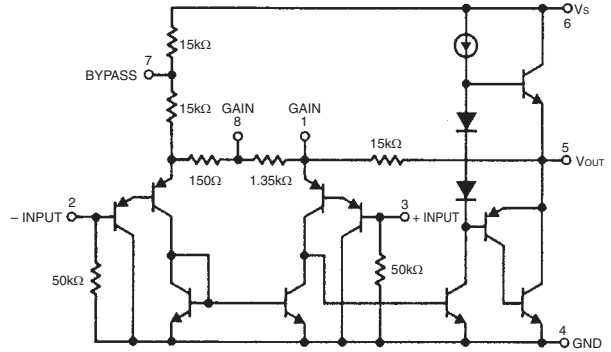
In a Class A amplifier (transistor on over entire cycle), the maximum theoretical efficiency is .5 or 50%. But, in a Class B amplifier (transistor on for 1/2 cycle), the maximum theoretical efficiency is .785 or 78.5%. Since transistor characteristics are not ideal in a pure Class B amplifier, the transistors will introduce crossover distortion. This is due to the non-linear transfer curve near zero current or cutoff. This type of distortion is shown in Figure 3.

In order to eliminate crossover distortion and maximize efficiency, the transistors of the audio amplifier circuit are biased on for slightly more than 1/2 of the cycle, Class AB. In other words, the transistors are working as Class A amplifiers for very small levels of power to the speaker, but they slide toward Class B operation at larger power levels.

To make the LM-386 a more versatile amplifier, two pins (1 and 8) are provided for gain control. With pins 1 and 8 open, the 1.35kΩ resistor sets the gain at 20 (see Figure 4a). The gain will go up to 200 (see Figure 4b) if a capacitor is placed between pins 1 and 8. The gain can be set to any value from 20 to 200 if a resistor is placed in series with the capacitor. The amplifier with a gain of 150 is shown in Figure 4c.

The amplifier in our kit with a gain of 150 is shown in Figure 5. Capacitor C40 couples the audio signal from the volume control to the input of the audio amplifier. Capacitor C43 blocks the DC to the speaker, while allowing the AC to pass.

Equivalent Schematic and Connection Diagrams



Dual-In-Line and Small Outline Packages

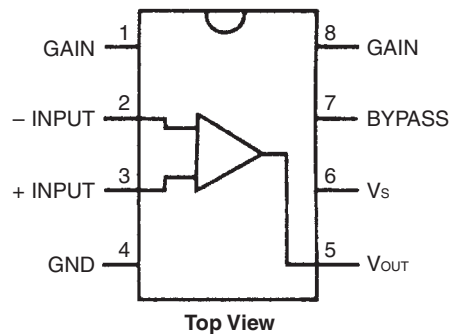


Figure 2

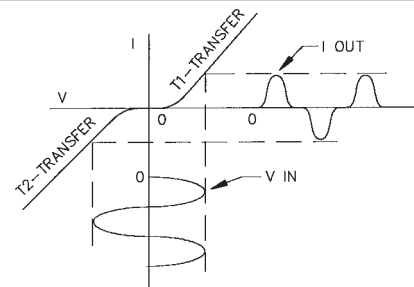


Figure 3

Typical Applications

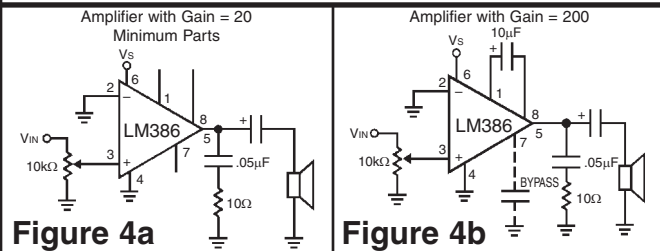


Figure 4a

Figure 4b

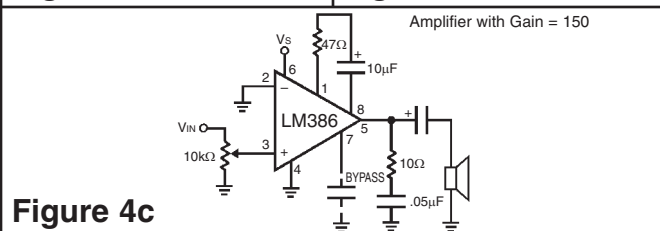


Figure 4c

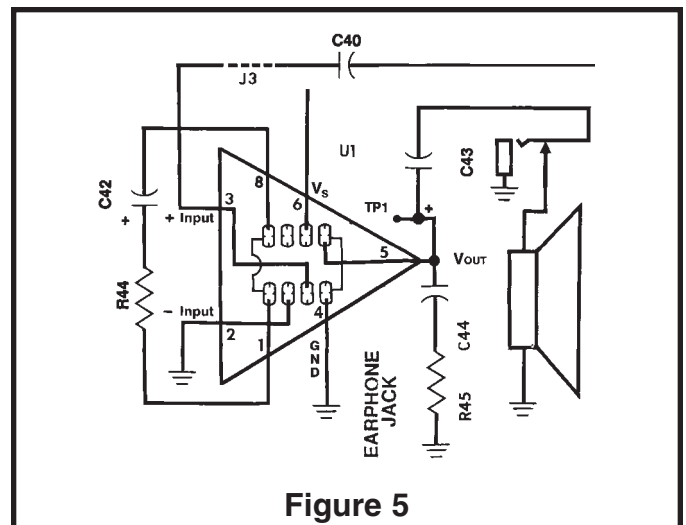
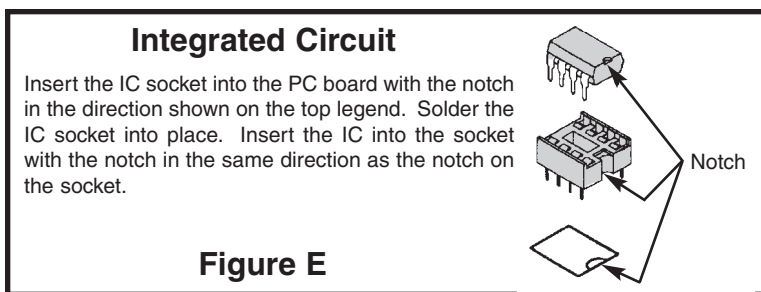
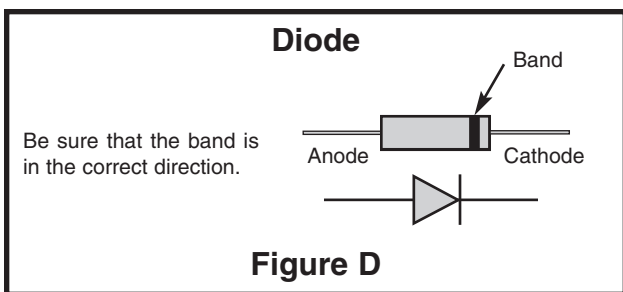
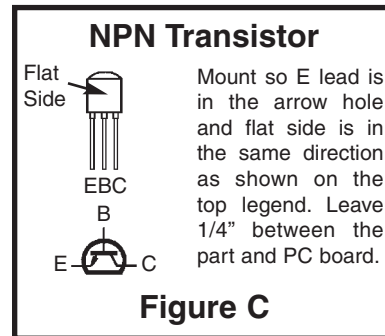
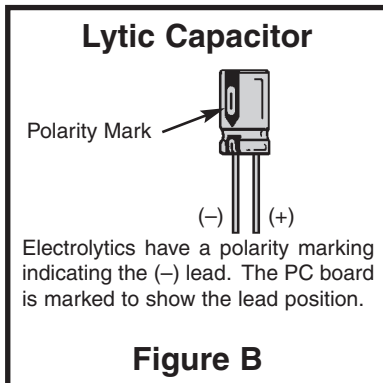
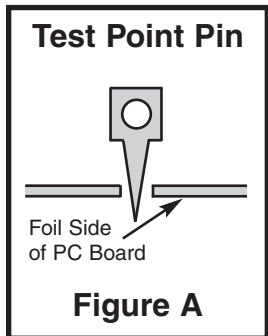


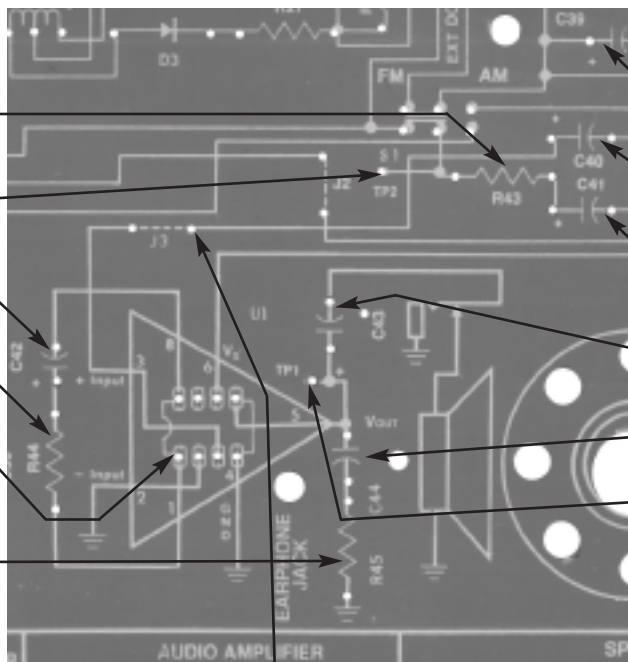
Figure 5

ASSEMBLY INSTRUCTIONS

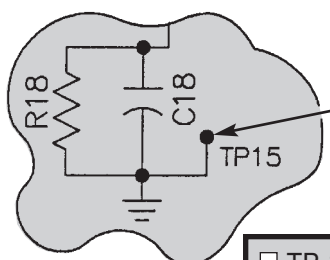
We will begin by installing resistor R43. Identify the resistor by its color and install as shown on page 4. Be careful to properly mount and solder all components. Diodes, transistors and electrolytic capacitors are polarized, be sure to follow the instructions carefully so that they are not mounted backwards. Check the box when you have completed each installation.



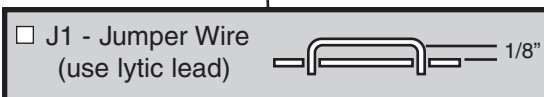
- R43 - 100Ω Resistor (brown-black-brown-gold)
- TP2 - Test Point Pin (see Figure A)
- C42 - 10μF Lytic (see Figure B)
- R44 - 47Ω Resistor (yellow-violet-black-gold)
- U1 - IC Socket 8-pin
- U1 - LM386 Integrated Circuit (see Figure E)
- R45 - 10Ω Resistor (brown-black-black-gold)



- C39 - 470μF Lytic (see Figure B)
- C40 - 10μF Lytic (see Figure B)
- C41 - 10μF Lytic (see Figure B)
- C43 - 470μF Lytic (see Figure B)
- C44 - .047μF Discap (473)
- TP1 - Test Point Pin (see Figure A)

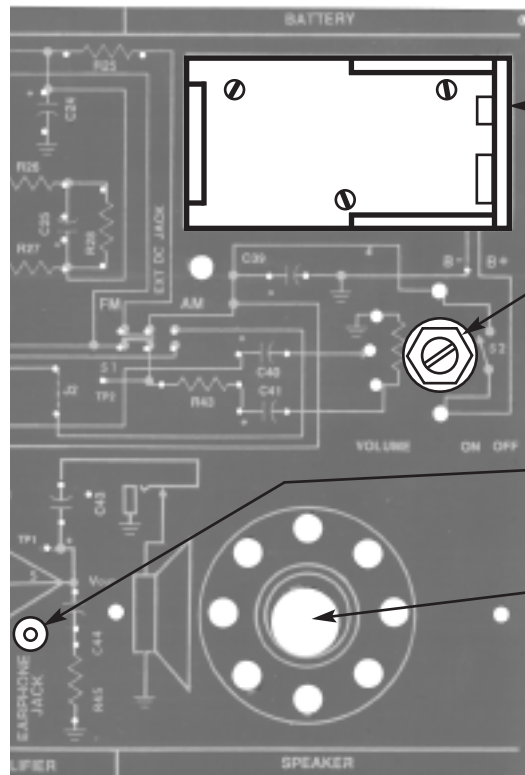
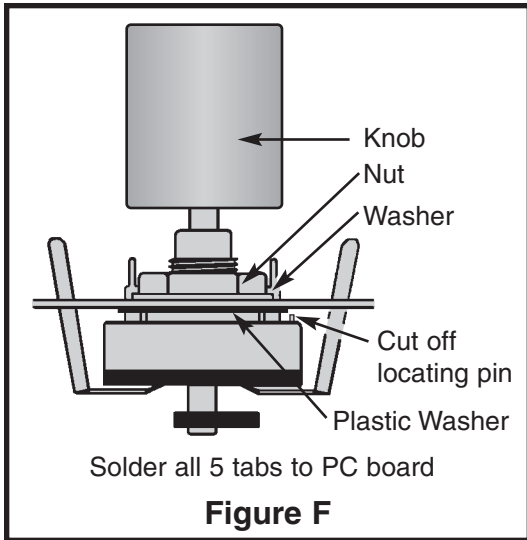


- TP-15 - Test Point Pin (see Figure A)



ASSEMBLY INSTRUCTIONS

Note: Mount the Pot/SW, earphone jack, and speaker to the foil side of the PC board.



- Battery Holder
- 3 Screws 2-56 x 1/4"
- 3 Nuts 2-56
- Solder and cut off excess leads.
- Volume/S2 (50kΩ Pot / SW) with Nut & Washer
- Plastic Washer
- Knob (pot) (see Figure F)
- Earphone Jack with Nut (see Figure H)
- Speaker
- Speaker Pad
- Wire #22 Insulated (see Figures G & I)

Figure G

If the speaker pad has center and outside pieces, then remove them. Peel the backing off of the speaker pad and stick the pad onto the speaker. Then stick the speaker onto the solder side of the PC board as shown.

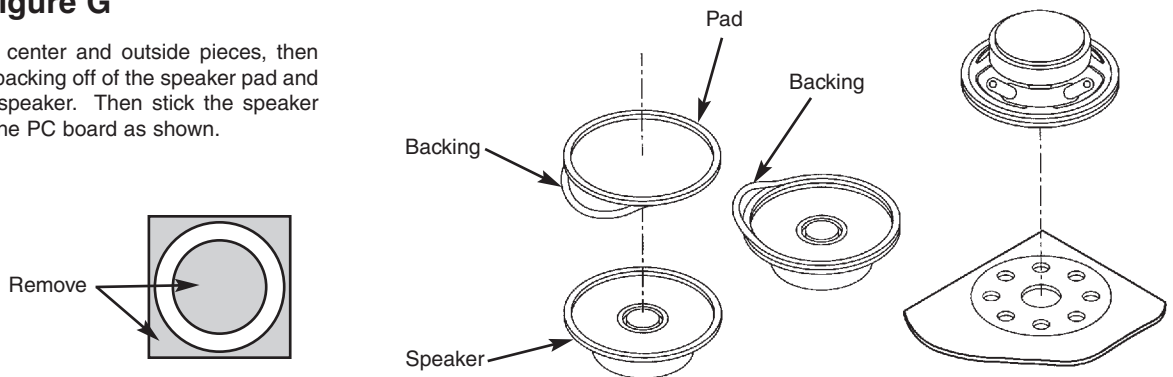
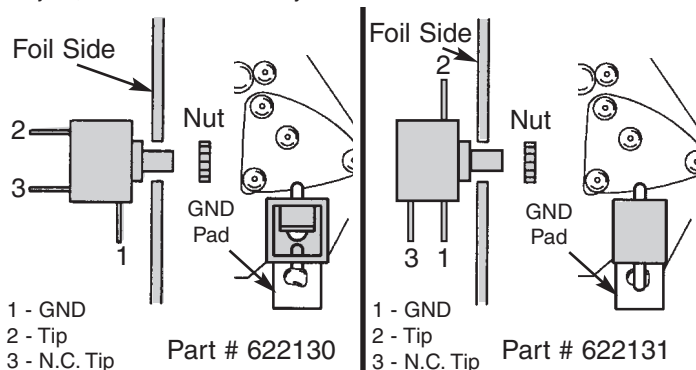


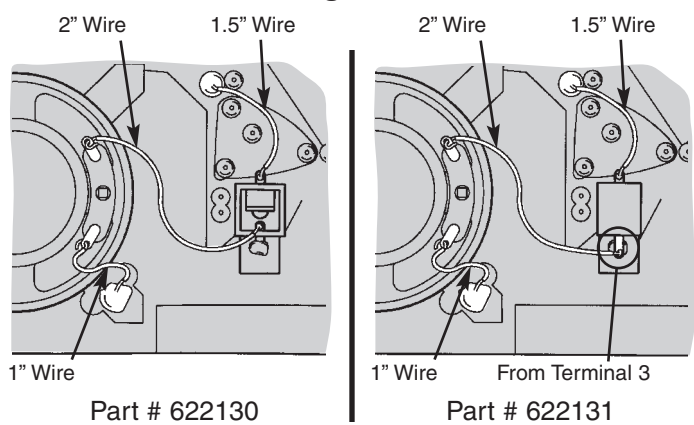
Figure H

Your kit may contain a different type of earphone jack. Before installing the jack, determine which one you have.



Mount the jack with the nut from the foil side of the PC board (terminal #1 on the GND pad of the PC board). Be sure to line up the tab with the pad on the copper side of the PC board. Solder terminal #1 to the pad of the PC board.

Figure I



Cut three wires 1", 1.5" and 2" and strip 1/4" of insulation off of both ends. Solder the 3 wires as shown.

***** Save the extra wire for the FM Section. *****

STATIC MEASUREMENTS

POWER TEST

For all measurements, connect your equipment GND to circuit GND TP15. Set your VOM (Volt-Ohm-Millimeter) to read 2 amps DC. Connect the meter to the circuit as shown in Figure 6. Make sure that the volume control is in the OFF position (turned fully counter-clockwise). While watching your VOM, turn the volume to the ON position (rotate clockwise until a "click" is heard). The VOM should indicate a very low current. Adjust your meter for a more accurate

reading if necessary. If the current is greater than 20 milliamps, immediately turn the power off. The current should be less than 10 milliamps. This is the current drawn by the battery when no input signal is present (the "idle current"). Turn OFF the power. If your circuit fails this test, check that all of the parts have been installed correctly, and check for shorts or poor solder connections.

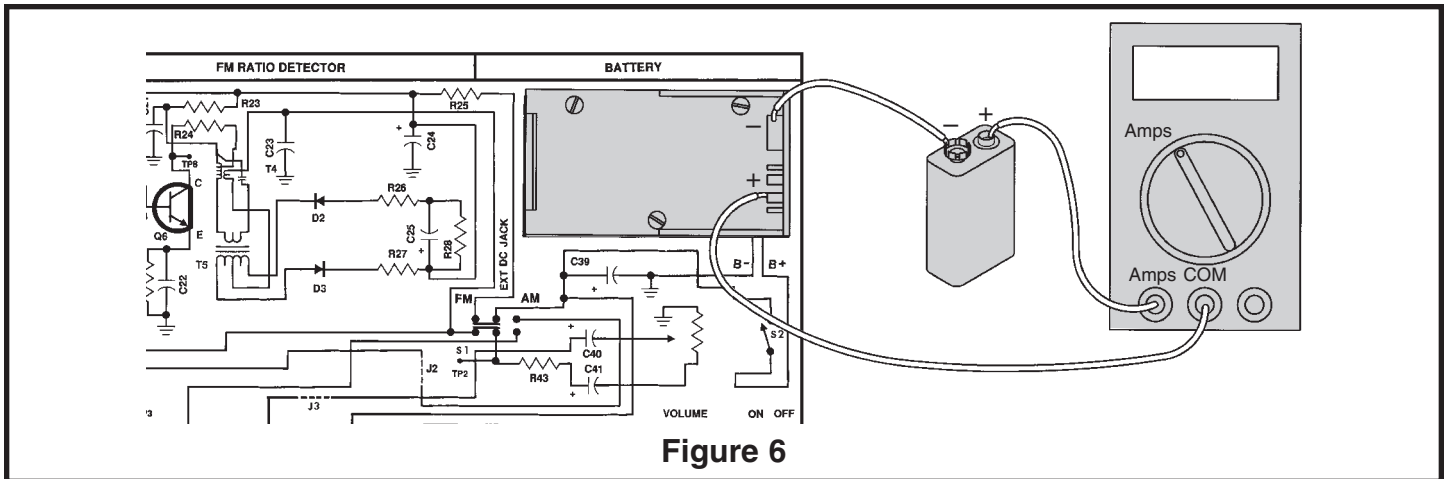


Figure 6

OUTPUT BIAS TEST

Put the battery into the holder.

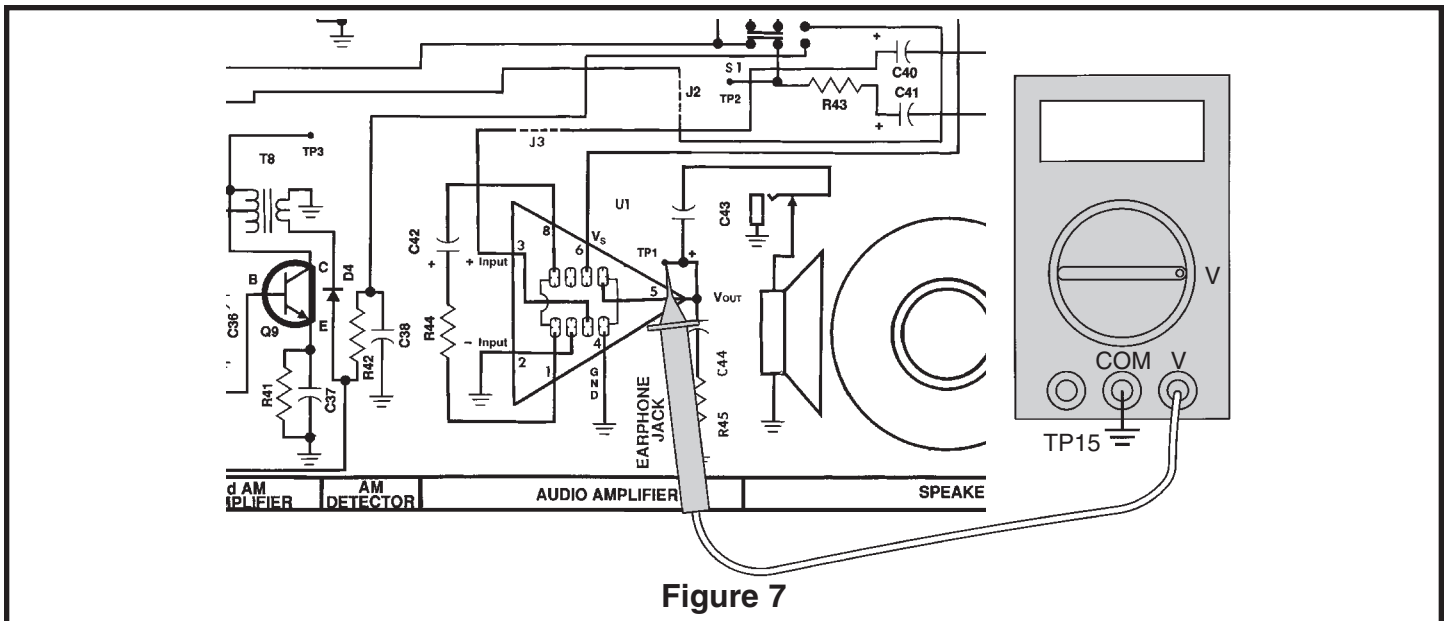


Figure 7

Adjust your VOM to read 9 volts and connect it as shown in Figure 7. Make sure that the battery, or a 9 volt power supply (if available), is properly connected and turn the power ON. The voltage at TP1 should be between 3 to 6 volts. If you get this reading, go on to the next test. If your circuit fails this test, turn the power OFF and check that the integrated circuit is

correctly inserted in the correct location. The notch of the IC must be in the same direction as marked on the PC board. Check that all resistor values are the correct value and not interchanged. All static tests must pass before proceeding to the Dynamic Tests or the next section.

If you do not have an audio generator, skip the following test and go directly to Section 2.

DYNAMIC MEASUREMENTS

GAIN

Connect the VOM and audio generator to the circuit as shown in Figure 8.

Normally the AC gain is measured at a frequency of 1kHz. Your VOM however, may not be able to accurately read AC voltages at this frequency. Therefore, it is recommended that this test be performed at 400Hz. Set the audio generator at 400Hz and minimum voltage output. With the power ON, set your VOM to read an AC voltage of 1 volt at test point TP1. Increase the volume control about half way. Slowly increase the amplitude of the audio generator until your VOM reads 1 volt AC. Leave the audio generator at this setting and move the positive

lead of your VOM to the Jumper J3. Record the AC input voltage to the amplifier here:

$V_{in} = \underline{\hspace{2cm}}$ volts.

You may have to change scales on your VOM for the most accurate reading. Turn the power OFF. The AC voltage gain of your audio amplifier is equal to the AC output voltage divided by the AC input voltage, or $1/V_{in}$.

Calculate the gain. The gain should be 100–180.

Gain = $\underline{\hspace{2cm}}$

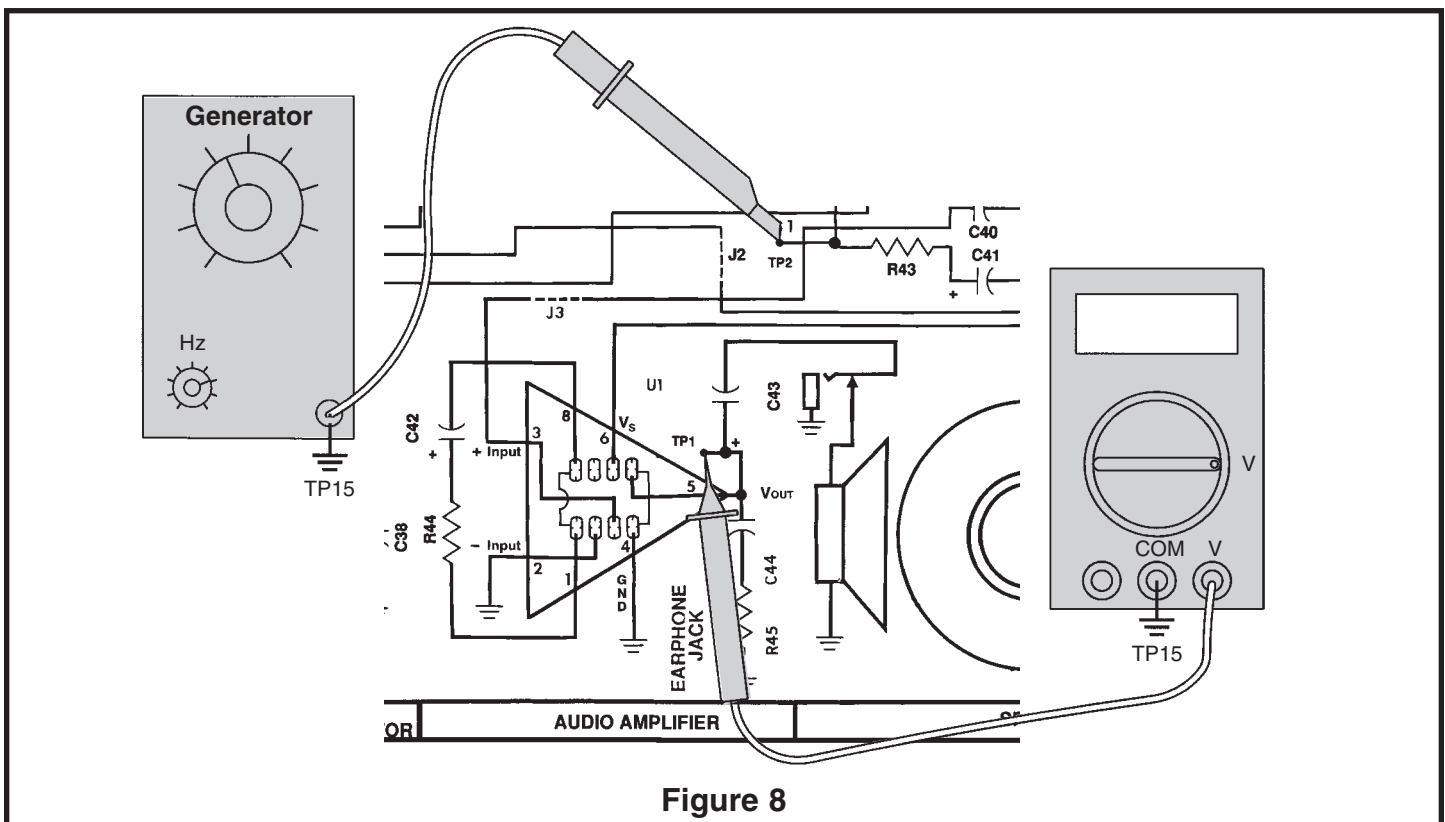


Figure 8

If an oscilloscope is not available, skip the following test and go directly to Section 2.

AC BANDWIDTH

Connect the oscilloscope and audio generator to your circuit as shown in Figure 9. Set the audio generator for a frequency of 1kHz and minimum voltage output. Set the oscilloscope to read .5 volts per division. Turn on the power and slowly increase the volume control to a comfortable level. Increase the amplitude of the audio generator until the oscilloscope displays 2 volts peak to peak, (Vpp), at TP1. It may be necessary to adjust the volume control. Move the oscilloscope probe to jumper J3 and record the input voltage here:

$$V_{in} = \text{_____ } V_{pp}$$

(at this point, you may want to verify the AC gain).

Move the oscilloscope probe back to TP1 and slowly increase the frequency from the audio generator until the waveform on the oscilloscope drops to .7 of its original reading 1.4Vpp or 2.8 divisions. The frequency of the generator when the output drops to .7 of its original value is called the high frequency 3 decibel (dB) corner. Record this frequency here:

$$(f \text{ high } 3dB) = \text{_____ } \text{kHz.}$$

Slowly decrease the frequency of the generator until the output drops to .7 of its original reading, 1.4Vpp

or 2.8 divisions. This frequency is called the low frequency 3dB corner. Record your answer.

$$(f \text{ low } 3dB) = \text{_____ } \text{kHz.}$$

Calculate the AC bandwidth:

$$(f \text{ high } 3dB - f \text{ low } 3dB) = \text{_____ } \text{kHz.}$$

$$\text{AC Bandwidth} = \text{_____}$$

Your calculated answer should be greater than 30kHz.

DISTORTION

Connect the generator and oscilloscope as shown in Figure 9. Set the generator at a frequency of 1kHz, turn the power ON. Adjust the generator output and turn the volume until the peaks of the sinewave at TP1 are clipped for maximum signal as shown in Figure 10A. One side of the sinewave may clip before the other depending on the DC centering at TP1. If oscillations are seen, connect a clip lead from the GND of your generator to the GND of the circuit.

Measure the maximum voltage peak to peak when clipping first occurs and record that value here:

$$V_{clip} = \text{_____ } V_{pp.}$$

Turn the power OFF.

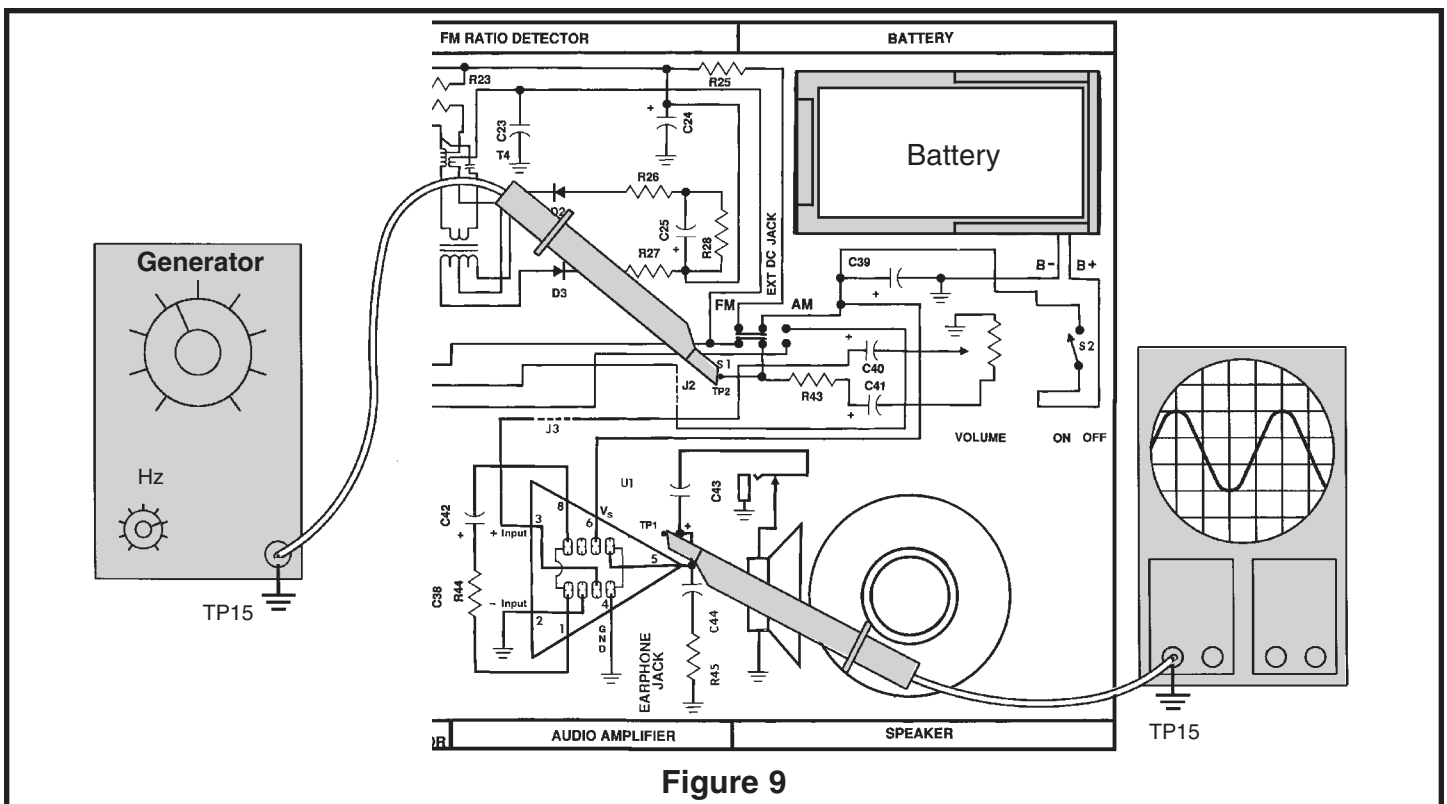


Figure 9

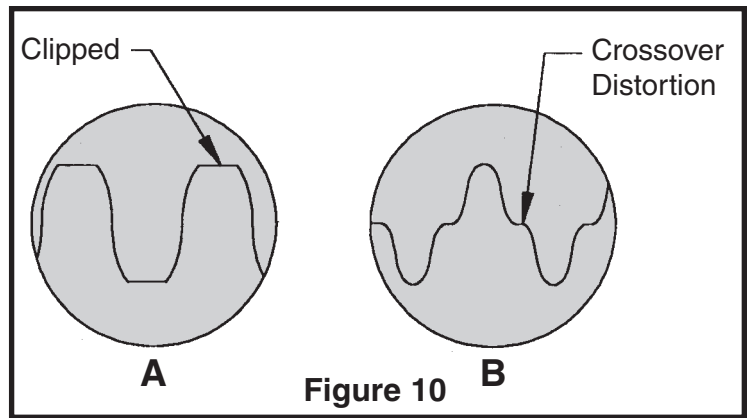
MAXIMUM POWER OUTPUT

The maximum power output before distortion due to “clipping” can be calculated using the voltage V_{clp} obtained in the Distortion Step as follows:

$$V_{peak} (V_p) = V_{clp}/2$$

$$V_{root\ mean\ squared} (V_{rms}) = V_p \times .7$$

Max power out = $(V_{rms})^2/8\ ohms = (V_{clp} \times .35)^2/8$
Maximum power output should be greater than 200 milliwatts.



EFFICIENCY

By measuring the DC power taken from the battery at the maximum power output level, the efficiency to the audio amplifier can be calculated. Power from the battery is equal to the current taken from the battery times the voltage of the battery during maximum power output. Efficiency can then be calculated as follows: $Eff = \text{Max audio power}/\text{Battery power}$. It is best to use a power supply (if available) to prevent supply voltage from changing during these measurements.

Connect the generator, oscilloscope, power supply (or battery) and current meter as shown in Figure 11. Set your current meter to read 1 amp DC. Turn the power ON and rotate the volume control to maximum. Slowly increase the amplitude of the audio generator until the output is clipped as shown in Figure 10A.

Record V_{clp} here:

$$V_{clp} = \text{_____ } V_{pp}.$$

This should be equal to V_{clp} in the Distortion Step. Record the DC current drawn from the 9 volt supply here:

$$\text{Current (I) max} = \text{_____ } A.$$

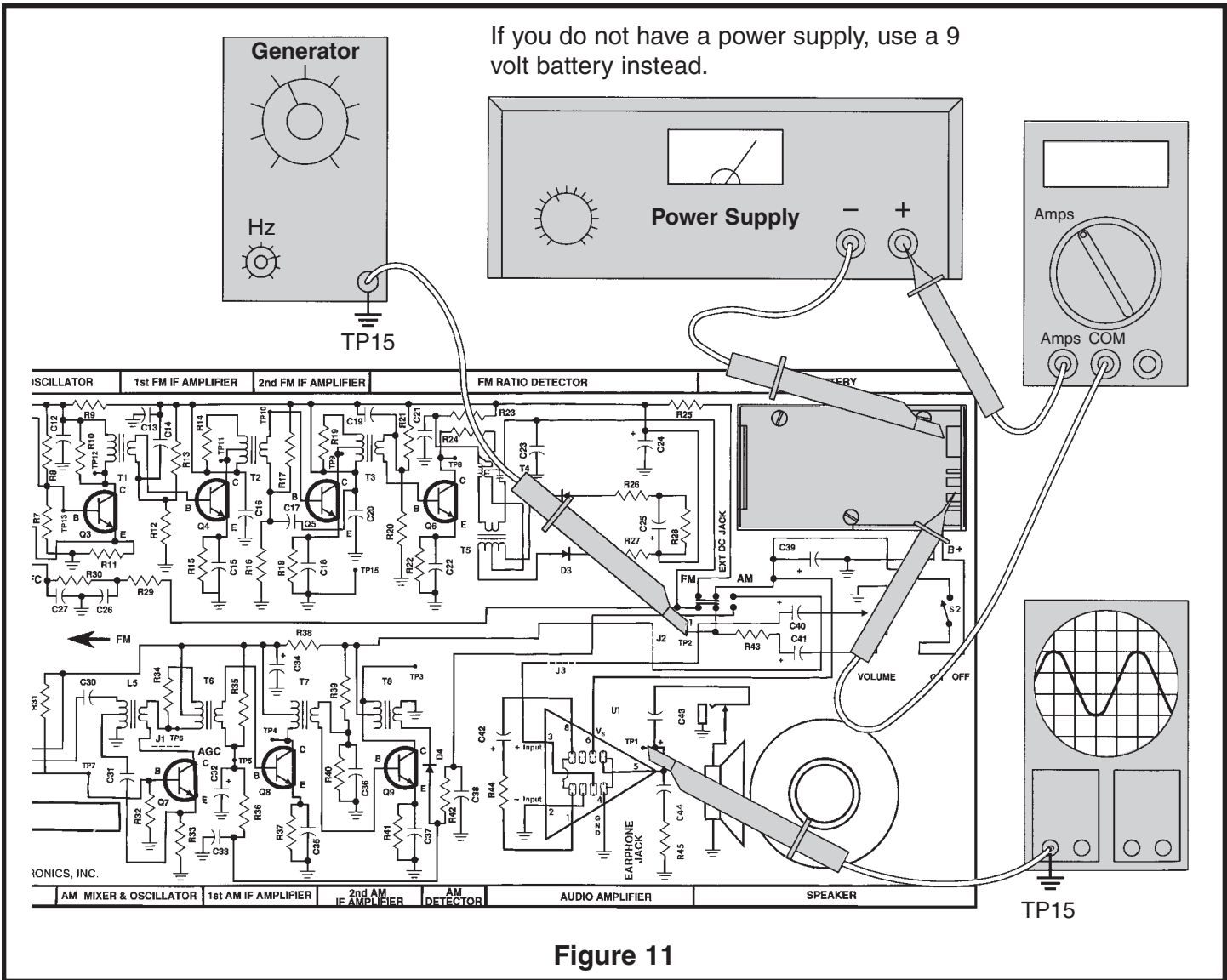
Measure the supply voltage and record the V supply here:

$$V\ \text{supply} = \text{_____ } \text{volts}.$$

Turn the power OFF.

Calculate the maximum power output as done in the Maximum Power Output Step.

Record your answers on page 13.



$$V_p = V_{clp}/2$$

$$V_{rms} = V_p \times .7$$

$$\text{Max power out} = (V_{rms})^2/8$$

$$V_p = \underline{\hspace{2cm}}$$

$$V_{rms} = \underline{\hspace{2cm}}$$

$$\text{Max power out} = \underline{\hspace{2cm}}$$

Since the battery power equals the battery voltage times the current taken from the battery; calculate the battery power:

$$\text{Battery power} = I_{max} \times V \text{ supply}$$

$$\text{Battery power} = \underline{\hspace{2cm}}$$

Since the efficiency (N) is equal to the Max power out divided by the Battery power, we can now calculate the efficiency of the audio amplifier.

$$N = \text{Max power out}/\text{Battery power}$$

$$N = \underline{\hspace{2cm}}$$

$$N \text{ in } \% = N \times 100$$

$$N = \underline{\hspace{2cm}}\%$$

Your calculated answer should be around .6 or 60%.

SECTION 2

AM DETECTOR AND AGC STAGE

The purpose of the detector is to change the amplitude modulated IF signal back to an audio signal. This is accomplished by a process called detection or demodulation. First, the amplitude modulated IF signal is applied to a diode in such a way as to leave only the negative portion of that signal (see Figure 12). The diode acts like an electronic check valve that only lets current pass in the same direction as the arrow (in the diode symbol) points. When the diode is in conduction (On Condition), it will force the capacitors C33 and C38 to

charge to approximately the same voltage as the negative peak of the IF signal. After conduction stops in the diode (Off Condition), the capacitors will discharge through resistors R36 and R42. The discharge time constant must be small enough to follow the audio signal or high frequency audio distortion will occur. The discharge time constant must be large enough, however, to remove the intermediate frequency (455kHz) and leave only the audio as shown in Figure 12.

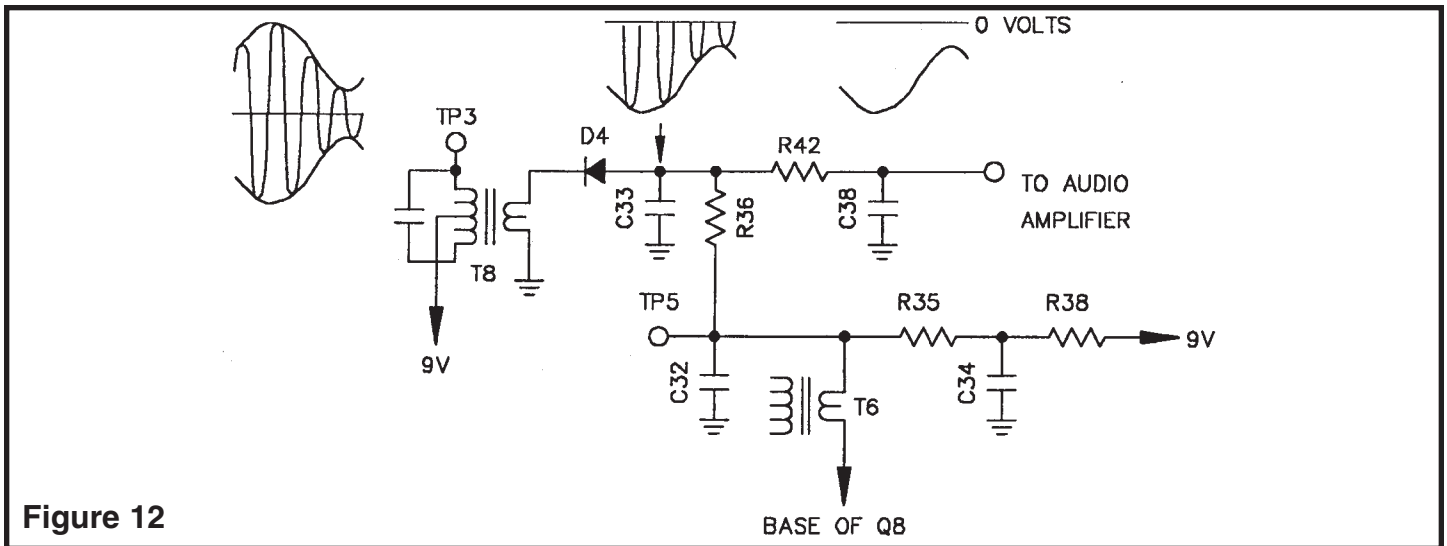


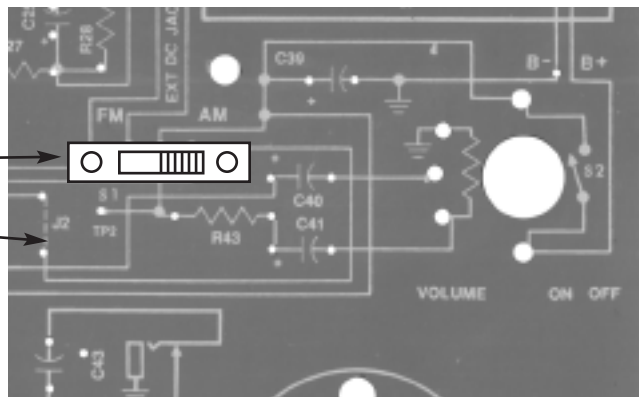
Figure 12

The purpose of the automatic gain control (AGC) circuit is to maintain a constant level at the detector, regardless of the strength of the incoming signal. Without AGC, the volume control would have to be adjusted for each station and even moderately strong stations would clip in the final IF amplifier causing audio distortion. AGC is accomplished by adjusting the DC bias of the first IF amplifier to lower its gain as the signal strength increases. Figure 12 shows that the audio at the top of the volume control is actually “riding” on a negative DC voltage when

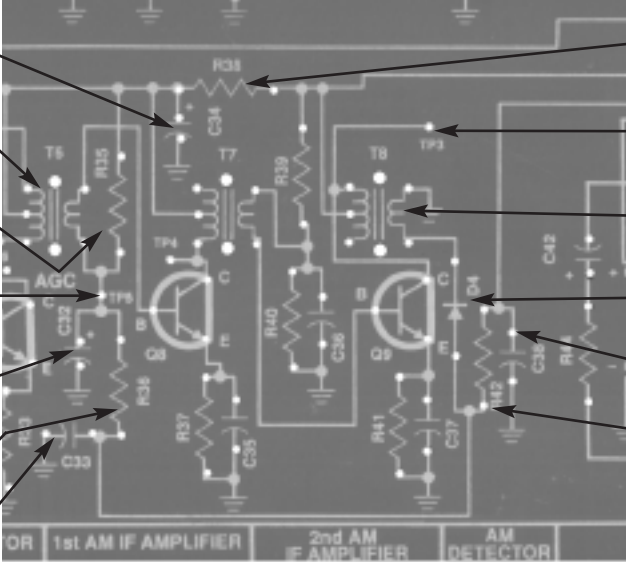
strong signals are encountered. This negative DC component corresponds to the strength of the incoming signal. The larger the signal, the more negative the component. At test point five (TP5), the audio is removed by a low pass filter, R36 and C32, leaving only the DC component. Resistor R35 is used to shift the voltage at TP5 high enough to bias the base of transistor Q8 to the full gain position when no signal is present. Resistors R35 and R36 also forward bias diode D4 just enough to minimize “On Condition” threshold voltage.

ASSEMBLY INSTRUCTIONS

- Switch
 - J2 - Jumper Wire (use lytic lead)
-



ASSEMBLY INSTRUCTIONS

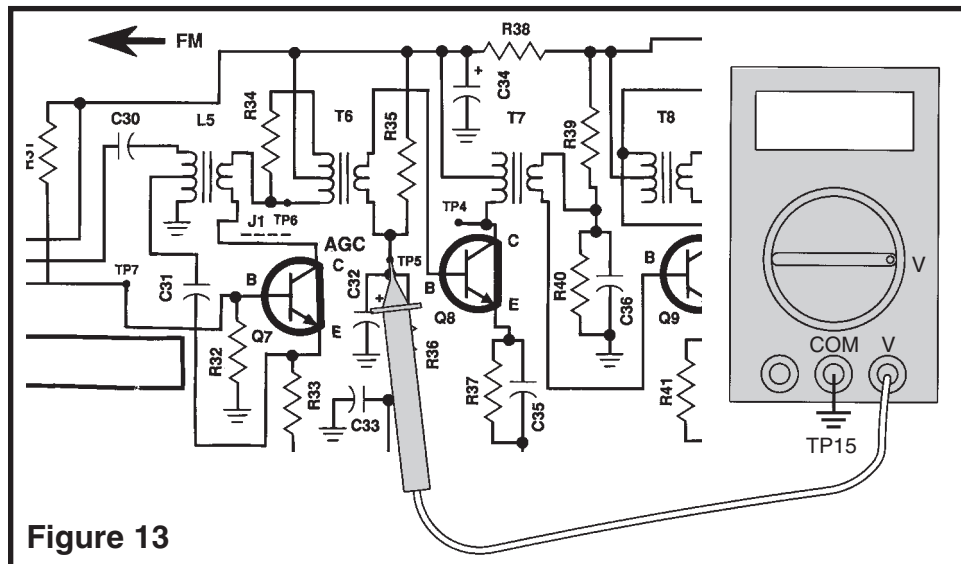
<input type="checkbox"/> C34 - 100 μ F Lytic (see Figure B)		<input type="checkbox"/> R38 - 100 Ω Resistor (brown-black-brown-gold)
<input type="checkbox"/> T6 - AM IF Coil (Yellow Dot)		<input type="checkbox"/> TP3 - Test Point Pin (see Figure A)
<input type="checkbox"/> R35 - 27k Ω Resistor (red-violet-orange-gold)		<input type="checkbox"/> T8 - AM IF Coil (Black Dot)
<input type="checkbox"/> TP5 - Test Point Pin (see Figure A)		<input type="checkbox"/> D4 - 1N4148 Diode (see Figure D)
<input type="checkbox"/> C32 - 10 μ F Lytic (see Figure B)		<input type="checkbox"/> C38 - .01 μ F Discap (103)
<input type="checkbox"/> R36 - 3.3k Ω Resistor (orange-orange-red-gold)		<input type="checkbox"/> R42 - 2.2k Ω Resistor (red-red-red-gold)
<input type="checkbox"/> C33 - .02 μ F Discap (203) or .022 μ F Discap (223)		

STATIC MEASUREMENTS

AGC ZERO SIGNAL BIAS

With the power turned OFF, connect your VOM to TP5 as shown in Figure 13. Make sure that the AM/FM switch is in the AM position.

Check that the VOM is adjusted to read 9 volts DC and turn the power ON. The voltmeter should read approximately 1.5 volts DC. If your reading varies by more than .5 volts from this value, turn the power OFF and check the polarity of D4. Also check R36 and R35 and check that transformer T6 is properly installed.



T8 TEST

With the power turned OFF, connect the positive lead of the VOM to TP3 and the negative lead to ground pin TP15. Make sure that the VOM is set to read 9 volts DC and turn the power ON. The voltage on the

VOM should be the same as your battery voltage or power supply voltage. If not, turn the power OFF and check that T8 is properly installed. Turn the power OFF.

If you do not have an RF generator, skip to Section 3.

DYNAMIC MEASUREMENTS

AM DETECTOR AND AGC TEST

Connect your VOM and RF generator as shown in Figure 14.

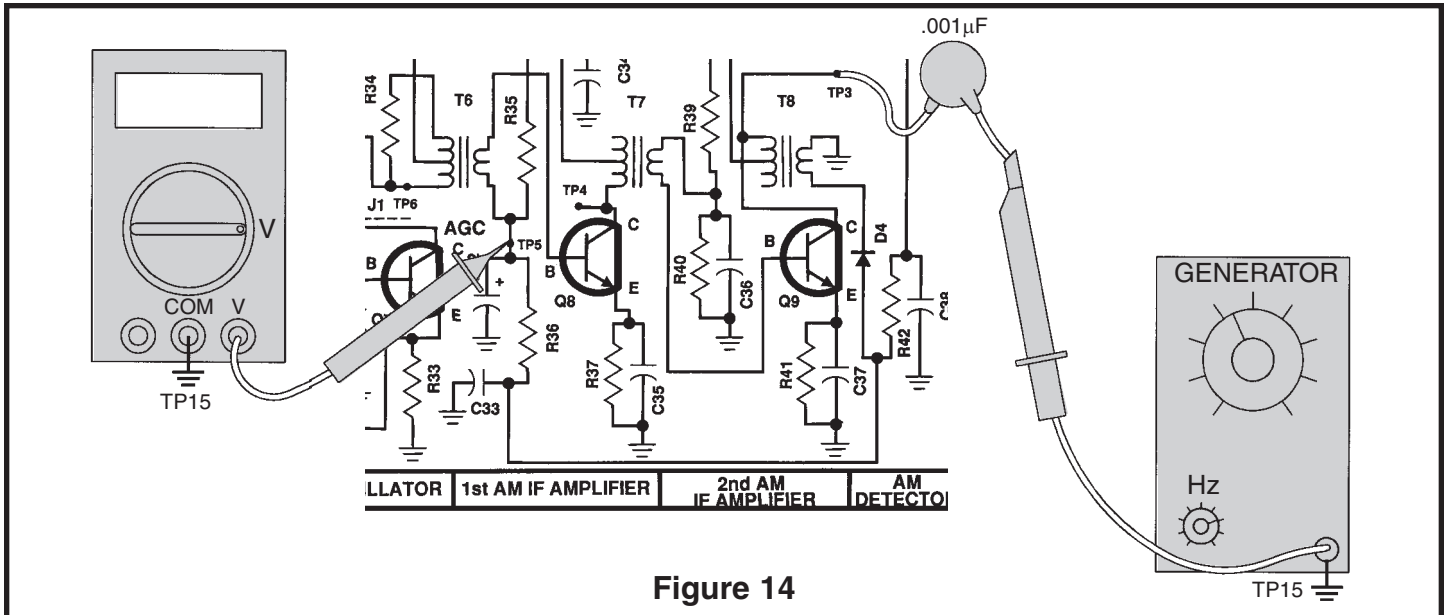


Figure 14

Set the VOM to accurately read 2 volts DC and set the output of the RF generator for 455kHz, no modulation, and minimum voltage output. Turn the power ON and slowly increase the amplitude of the

generator until the voltage at TP5 just starts to drop. This point is called the AGC threshold with no IF gain. Make a note of the amplitude setting on the RF generator here: _____.

If your RF generator does not have amplitude modulation and you do not have an oscilloscope, skip to Section 3.

SYSTEM CHECK

Connect your equipment as shown in Figure 15.

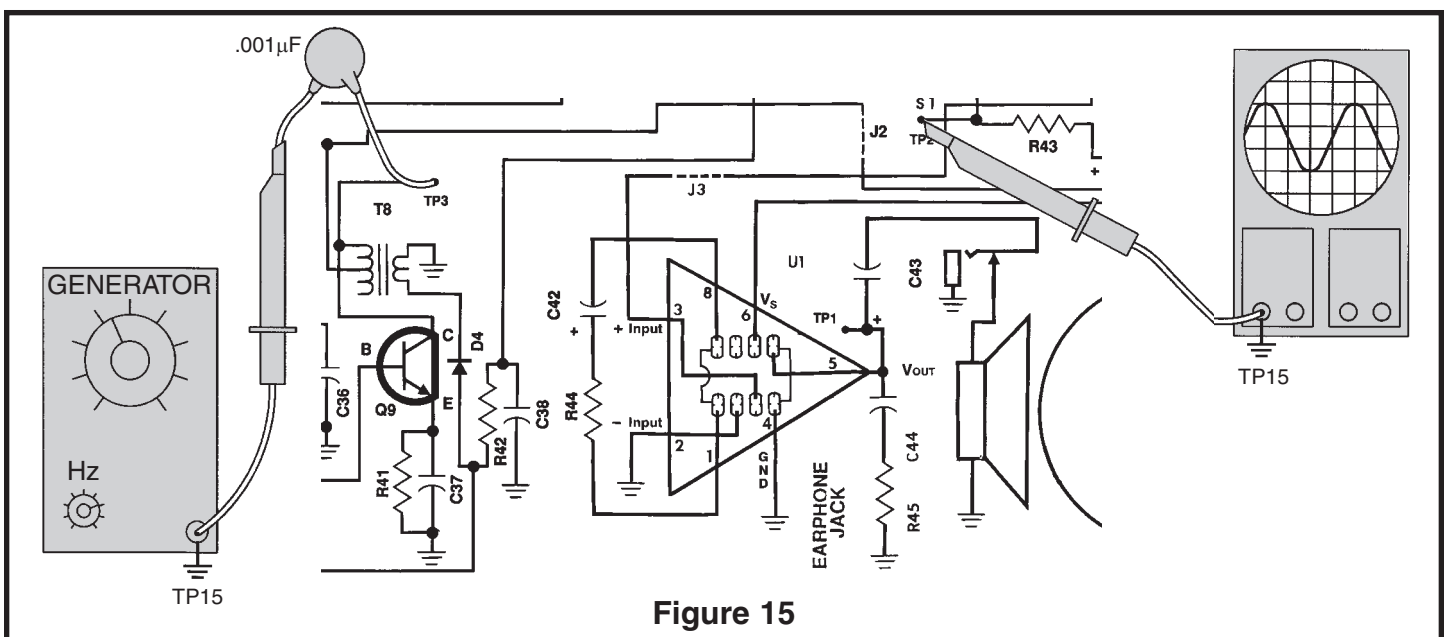


Figure 15

Set the RF generator at 455kHz, 1kHz at 80% modulation and minimum voltage output. Turn the power ON and set the volume control at maximum. Slowly adjust the amplitude of the RF generator

output until you hear the 1kHz tone on the speaker. If this test fails, turn the power OFF and check R42 and D4. Turn the power OFF.

AM DETECTOR BANDWIDTH TEST

Connect your test equipment as shown in Figure 15. Set the generator at 455kHz with 80% modulation at a modulation frequency of 1kHz. Set the oscilloscope to read .1 volts per division. Turn the power ON and set the volume at the minimum. Increase the amplitude of the generator until the signal on the oscilloscope is 4 divisions peak to peak. Check the signal to make sure that it is free of distortion. Leave the frequency of the generator at

455kHz, but increase the modulation frequency until the output drops to .28Vpp. Record the modulation frequency on the generator here:

This frequency should be greater than 5kHz. Turn the power OFF.

SECTION 3

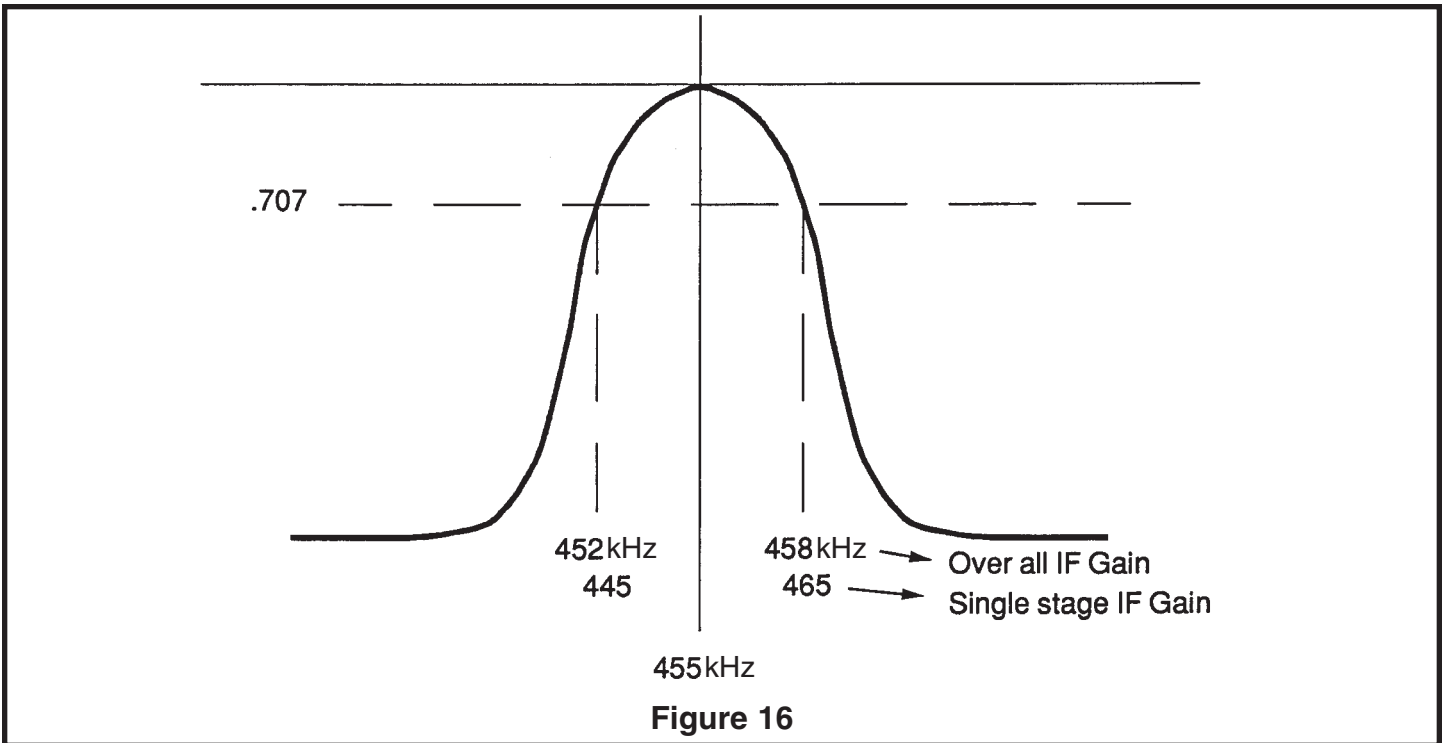
SECOND AM IF AMPLIFIER

The purpose of the second IF amplifier to increase the amplitude of the intermediate frequency (IF) and at the same time provide SELECTIVITY. Selectivity is the ability to “pick out” one radio station while rejecting all others. The second IF transformer (T8) acts as a bandpass filter with a 3dB bandwidth of approximately 6kHz. The amplitude versus frequency response of the second IF amplifier is shown in Figure 16.

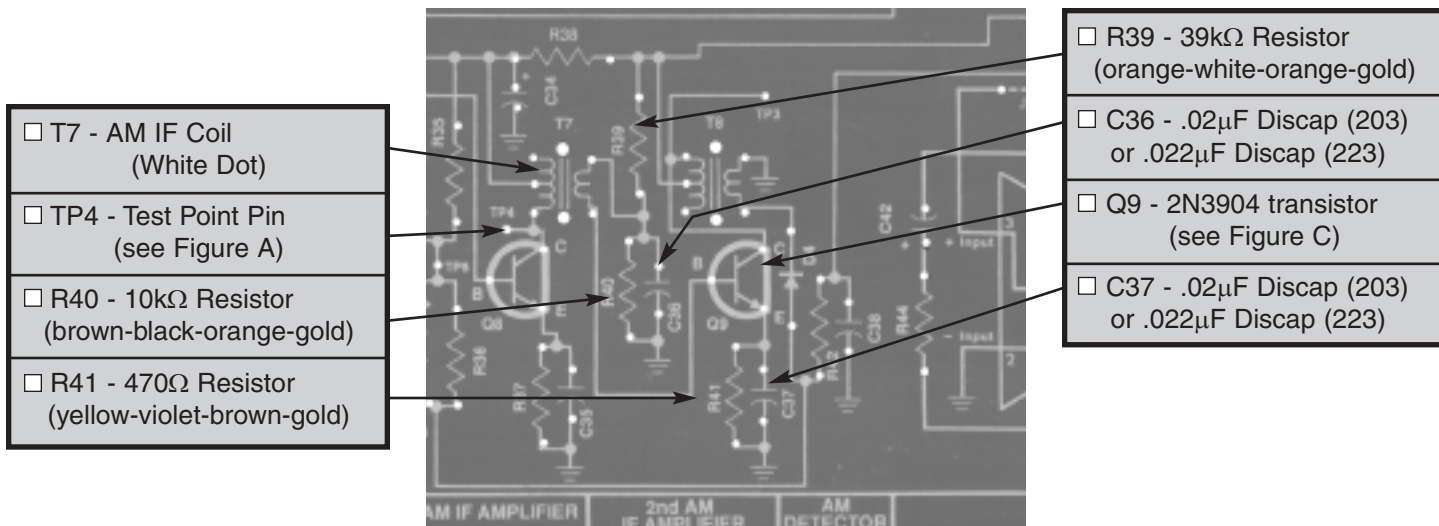
Both IF amplifiers are tuned to a frequency of 455kHz and only need to be aligned once when the radio is assembled. These amplifiers provide the majority of the gain and selectivity needed to

separate the radio stations.

The gain at 455kHz in the second IF amplifier is fixed by the AC impedance of the primary side of transformer T8, and the DC current in Q9. The current in Q9 is set by resistors R39, R40 and R41. Both C36 and C37 bypass the 455kHz signal to ground, making Q9 a common emitter amplifier. The signal is coupled from the first IF amplifier to the second IF amplifier through transformer T7. The IF transformers not only supply coupling and selectivity, they also provide an impedance match between the collector of one stage and the base of the next stage. This match allows maximum power to transfer from one stage to the next.



ASSEMBLY INSTRUCTIONS



STATIC MEASUREMENTS

Q9 BIAS

Connect your VOM as shown in Figure 17. Set the VOM to read 9 volts DC and turn the power ON. The voltage at the emitter of Q9 should be approximately

1 volt. If your reading is different by more than .5 volts, turn the power OFF and check components R39, R40, R41 and Q9.

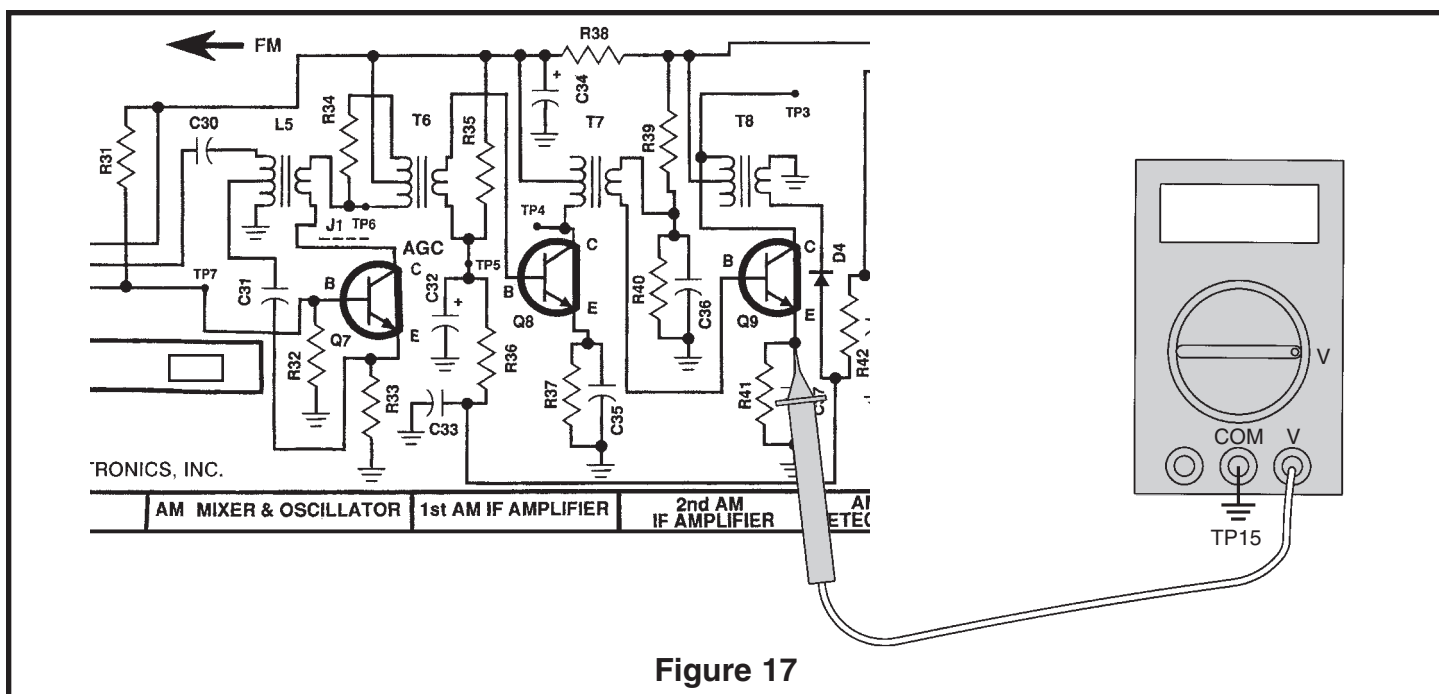


Figure 17

If you do not have an RF generator and oscilloscope, skip to Section 4.

DYNAMIC MEASUREMENTS

AC GAIN

Connect your test equipment as shown in Figure 18.

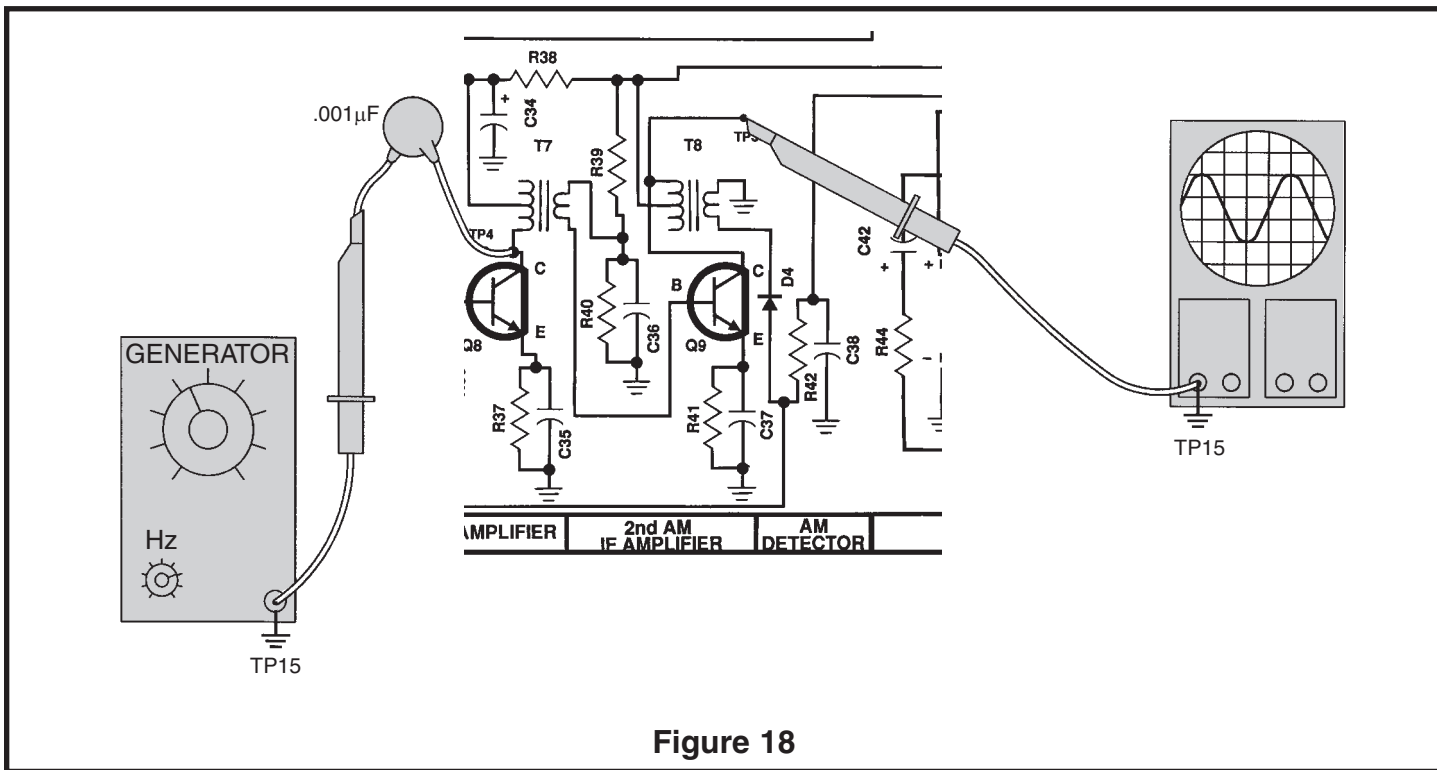


Figure 18

Set the generator at 455kHz, no modulation and minimum voltage output. Set the oscilloscope at 1 volt per division. The scope probe must have an input capacitance of 12pF or less or it will detune T8. Turn the power ON and slowly increase the amplitude of the generator until 4 volts peak to peak are seen on the scope. With an alignment tool or screwdriver, tune T8 for a peak on the scope while readjusting the generator's amplitude to maintain 4 Vpp at the oscilloscope. After T8 is aligned, move the scope probe to the base of Q9 and record the peak to peak amplitude of the signal here:

$$V_b = \text{_____ Vpp.}$$

Turn the power OFF. The AC gain of the second IF amplifier at 455kHz is equal to $4/V_b$ and should be greater than 100. If your value is less than 50 check components R39, R40, R41, C36 and C37. Also make sure that Q9 is properly installed. Turn the power OFF.

BANDWIDTH

Reconnect your test equipment as shown in Figure 18. Turn the power ON and adjust the generator for 4 volts peak to peak at TP3. Realign T8, if necessary, for maximum output while adjusting the output of the generator to maintain 4Vpp at TP3. Slowly decrease the frequency of the RF generator until the signal at TP3 drops to .707 of its original value or 2.8Vpp. Record the frequency of the RF generator here:

$$F_l = \text{_____ kHz.}$$

Now increase the frequency of the generator past the peak to a point where the signal drops to .707 of its peak value. Record that frequency here:

$$F_h = \text{_____ kHz.}$$

By subtracting the frequency of the lower 3dB corner from the frequency of the higher 3dB corner you get the bandwidth of the second IF amplifier.

Calculate the bandwidth by $(F_l - F_h)$

$$\text{Bandwidth} = \text{_____ kHz.}$$

Your results should be similar to the values shown in Figure 16. Turn the power OFF.

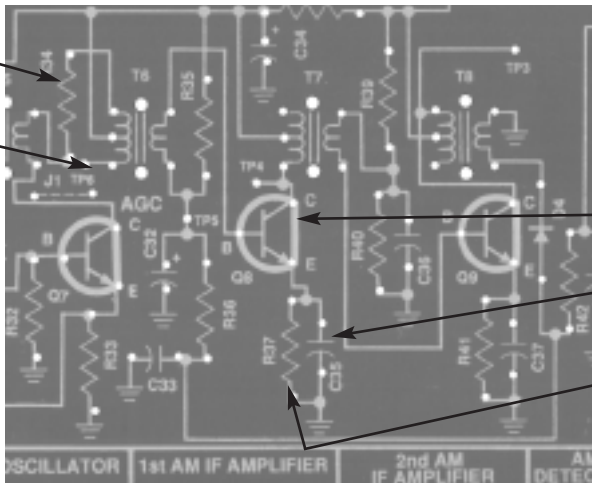
SECTION 4

FIRST AM IF AMPLIFIER

The operation of the first IF amplifier is the same as the second IF amplifier with one important difference. The gain of the first IF amplifier decreases after the AGC threshold is passed to keep the audio output constant at the detector and prevent overload of the second IF amplifier. This is accomplished by making the voltage on the base of transistor Q8 lower as the signal strength increases. Since the voltage from base to emitter is fairly constant, the drop in voltage at the base produces a similar drop in voltage at the

emitter of Q8. This drop lowers the voltage across R37 and thus, reduces the DC current through R37. Since all of the DC current from the emitter of Q8 must go through R37, the DC current in Q8 is therefore lowered. When the DC current in a transistor is lowered, its effective emitter resistance increases. The AC gain of transistor Q8 is equal to the AC collector load of Q8 divided by its effective emitter resistance. Raising the value of the effective emitter resistance, thus, lowers the AC gain of Q8.

ASSEMBLY INSTRUCTIONS

<input type="checkbox"/> R34 - 1M Ω Resistor (brown-black-green-gold)		<input type="checkbox"/> Q8 - 2N3904 Transistor (see Figure C)
<input type="checkbox"/> TP6 - Test Point Pin (see Figure A)		<input type="checkbox"/> C35 - .02 μ F Discap (203) or .022 μ F Discap (223)
CAUTION: Test point must not touch can of IF Coil.		<input type="checkbox"/> R37 - 1k Ω Resistor (brown-black-red-gold)

STATIC MEASUREMENTS

Q8 BASE BIAS

Connect your VOM to the circuit as shown in Figure 13. Set your VOM to read 2 volts DC and turn the power ON. The voltage at TP5 should be approximately 1.5 volts. If your circuit fails this test, check Q8 and R37. Turn the power OFF.

Q8 CURRENT

Connect the positive lead of your VOM to the emitter of Q8 and connect the negative lead to ground point TP15. Turn the power ON. The voltage should be approximately .8 volts. Since the current in Q8 is equal to the current in R37, $I(Q8) = .8/R37$ or approximately .8 milliamps. Turn the power OFF.

If you do not have an RF generator and oscilloscope, skip to Section 5.

DYNAMIC MEASUREMENTS

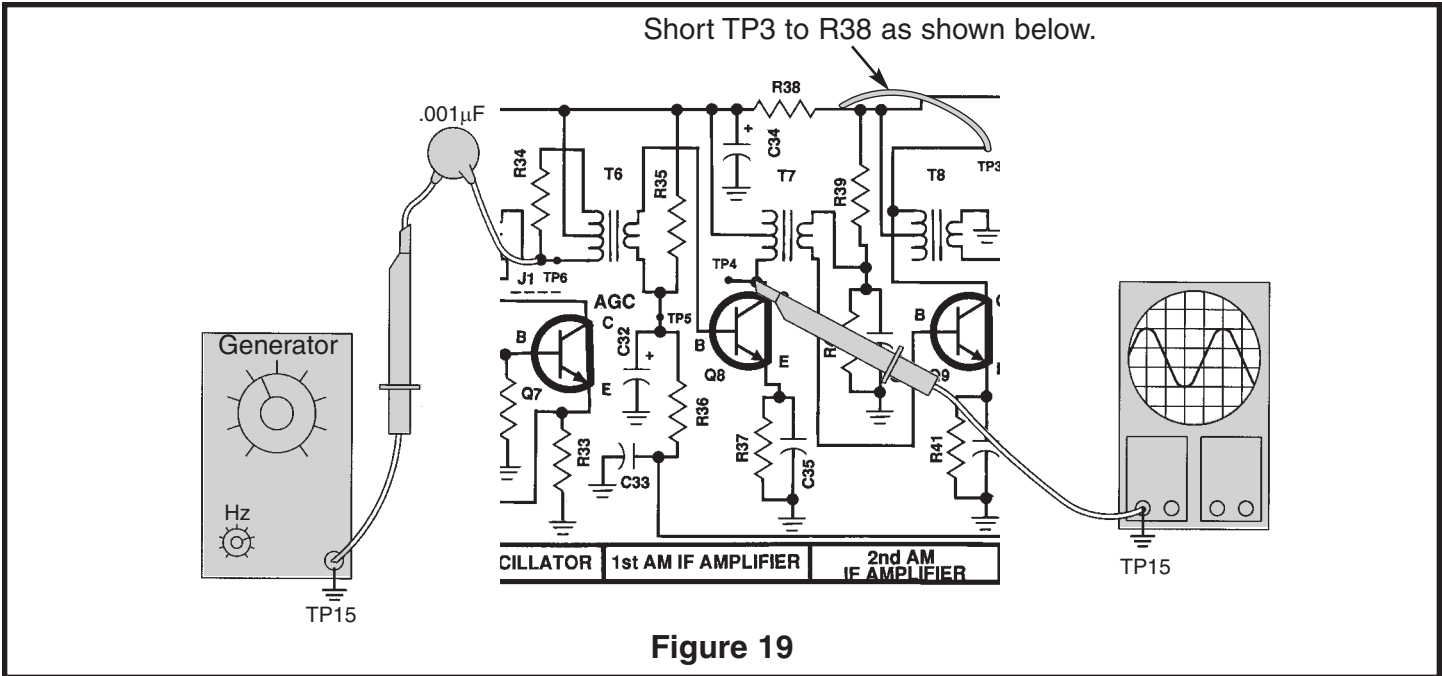


Figure 19

AC GAIN

Connect your test equipment as shown in Figure 19.

The scope probe must have an input capacitance of 12pF or less, otherwise it will detune transformer T7. Using a clip lead, short TP3 to R38 as shown. This short prevents the AGC from lowering the gain of the first IF amplifier. Set the generator to 455kHz, no modulation, and minimum voltage output. Set the scope to read 1 volt per division and turn the power ON. Increase the amplitude of the generator until approximately 4Vpp is seen on the scope. Retune the IF transformer T7 to maximize the 455kHz at TP4. After tuning T7, adjust the generator amplitude in order to keep 4Vpp at TP4. Now move the scope

probe to the base of Q8 and record the peak to peak level of the 455kHz signal here:

$$V_b = \text{_____} V_{pp}$$

The AC gain of the first IF amplifier is equal to $4/V_b$. The AC gain should be greater than 100. DO NOT TURN THE POWER OFF, GO TO THE NEXT TEST.

AGC ACTION

Move the scope probe back to TP4 and adjust the generator for 4Vpp if necessary. Remove the clip lead shorting TP3 to R38. The AGC should reduce the signal level at TP4 to approximately .8 volts. Turn the power OFF.

SECTION 5

AM MIXER, AM OSCILLATOR, AND AM ANTENNA

In a superheterodyne type receiver, the radio wave at the antenna is amplified and then mixed with the local oscillator to produce the intermediate frequency (IF). Transistor Q7 not only amplifies the RF signal, but also simultaneously oscillates at a frequency 455kHz above the desired radio station frequency. Positive feedback from the collector to the emitter of Q7 is provided by coil L5 and capacitor C31. During

the heterodyning process the following four frequencies are present at the collector of Q7.

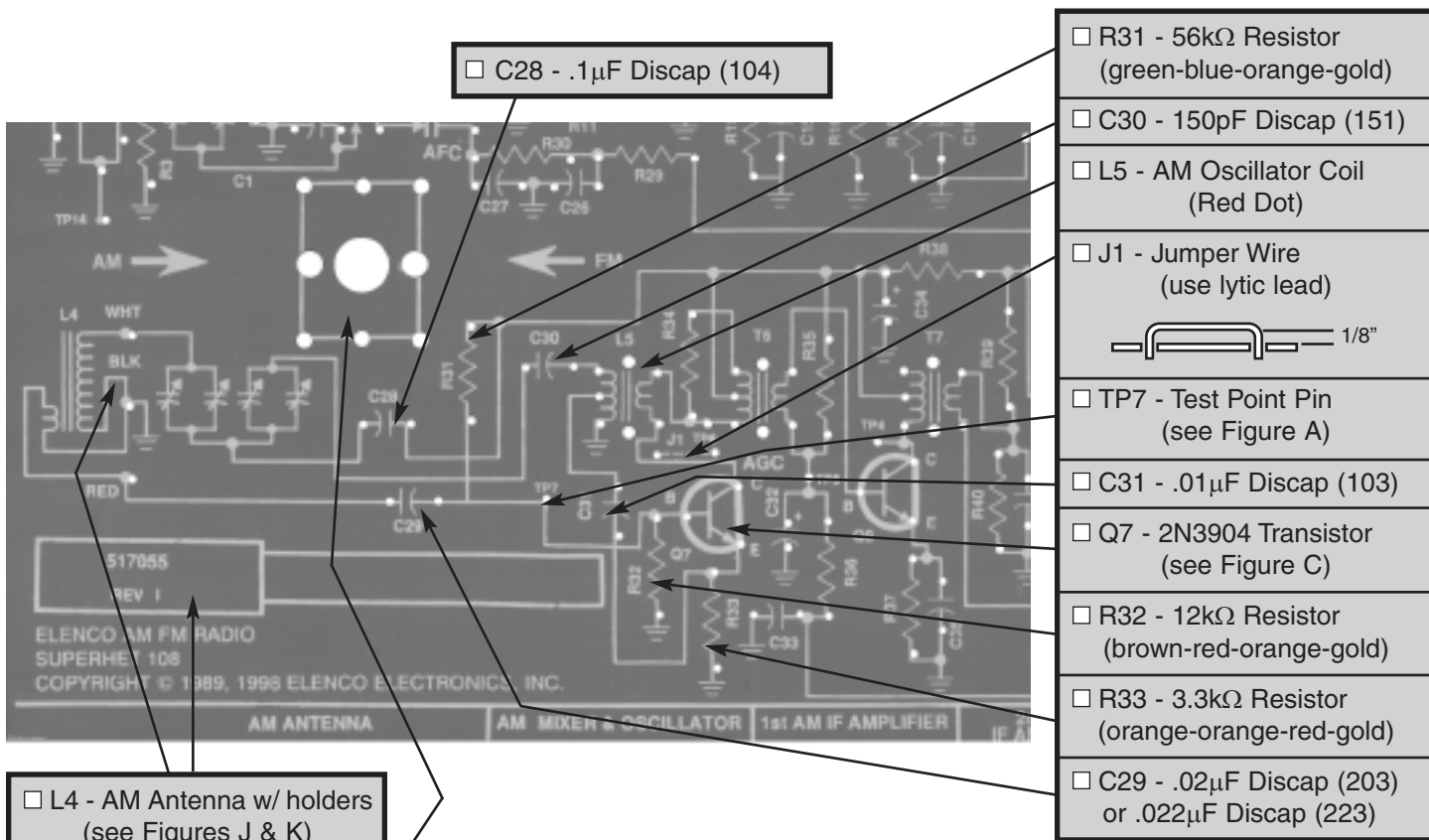
1. The local oscillator frequency, OF.
2. The RF carrier or radio station frequency.
3. The sum of these two frequencies, OF + RF.
4. The difference of these two frequencies, OF – RF.

The “difference frequency” is used as the intermediate frequency in AM radios. The collector of Q7 also contains an IF transformer (T6) tuned only to the difference frequency. This transformer rejects all frequencies except those near 455kHz. T6 also couples the 455kHz signal to the base of Q8 to be processed by the IF amplifiers. The antenna and the oscillator coils are the only two resonant circuits that change when the radio is tuned for different stations. Since a radio station may exist 455kHz above the oscillator frequency, it is important that the antenna rejects this station and selects only the station

455kHz below the oscillator frequency. The frequency of the undesired station 455kHz above the oscillator is called the image frequency. If the selectivity of the antenna (Q factor) is high, the image will be reduced sufficiently.

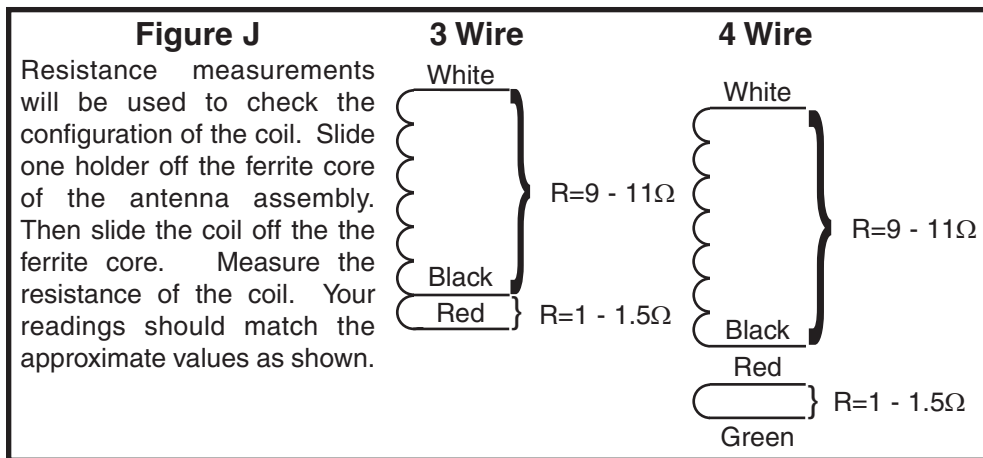
The oscillator circuit must also change when the radio is tuned in order to remain 455kHz above the tuning of the desired radio station. The degree of accuracy in keeping the oscillator frequency exactly 455kHz above the tuning of the antenna is called tracking accuracy.

ASSEMBLY INSTRUCTIONS



- L4 - AM Antenna w/ holders (see Figures J & K)
- C1 - Tuning Gang Capacitor
- 2 Screws #3 (see Figure L)
- Knob (dial)
- Screw #3
- Label AM/FM (See Figure M)

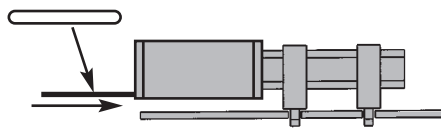
Note: Mount the tuning gang capacitor to the foil side of the PC board.



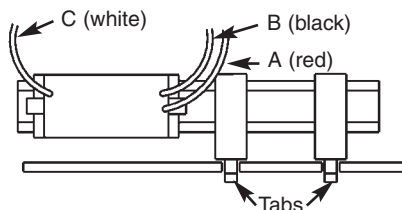
IMPORTANT: Before installing the antenna coil, determine if you have a 3 wire coil or a 4 wire coil. Assemble it to the PC board as shown below. Mount the antenna assembly to the PC board.

- Put the tab of the first holder into the right hole and twist the tab 90°.
- Put the tab of the second holder into the left hole and twist the tab 90°.
- Slide the ferrite core through the holders.
- Slide the antenna coil through the ferrite core.

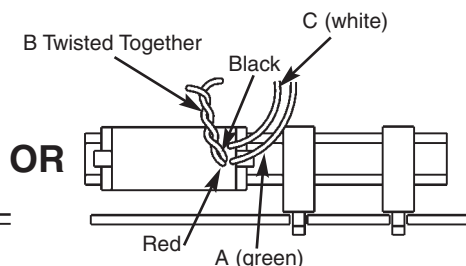
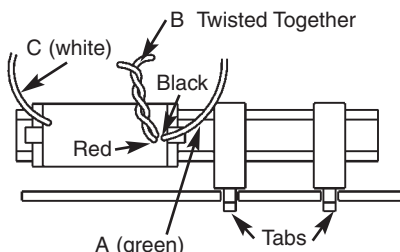
Punch out one antenna shim from the front flap of the box. Insert the cardboard antenna shim between the ferrite core and the antenna coil. This will temporarily hold the coil in place.



Note: If the end of a wire from the antenna should break off, strip the insulation off the end with a hot soldering iron. Lay the wire down on a hard surface and stroke the wire with your iron. The insulation should come off very easily. **CAUTION:** The soldering iron will burn the hard surface that you are working on.



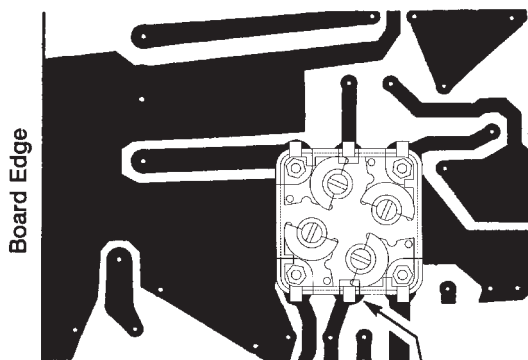
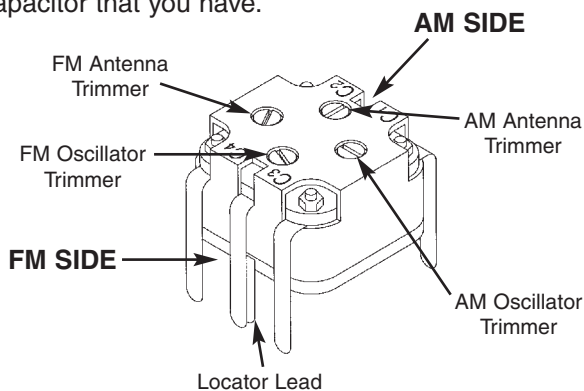
3 Wire Type Antenna: Solder the 3 colored wires to the PC board: □ Wire A (red) to the hole marked "RED", □ Wire B (black) to the hole marked "BLK" and □ Wire C (white) to the hole marked "WHT".



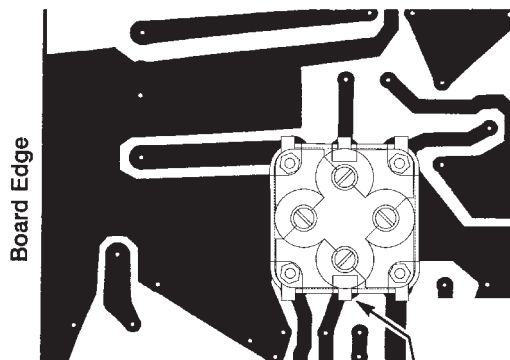
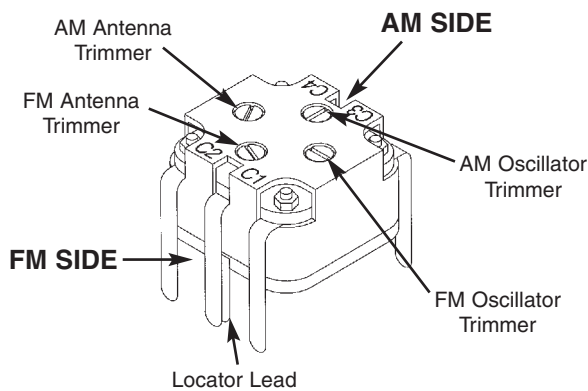
4 Wire Type Antenna: Solder the 4 colored wires to the PC board: □ Wire A (green) to the hole marked "RED", □ Wire B (red and black twisted together) to the hole marked "BLK" and □ Wire C (white) to the hole marked "WHT".

Figure K

It is important to know which of the two types of the tuning gang capacitor you have received with your kit. Look at the gang capacitor that you have.



Locator lead this side
(Do not remove, but solder both leads together in hole).



Locator lead this side
(Do not remove, but solder both leads together in hole).

Mount the tuning gang capacitor to the foil side of the PC board with the AM and FM sides in the correct direction. Fasten the gang in place with two screws from the front of the PC board. Solder the leads in place and cut off the excess leads coming through the PC board on the front side.

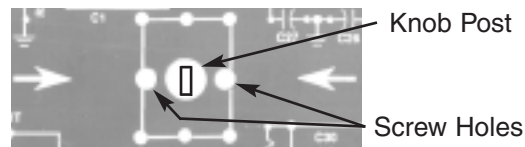
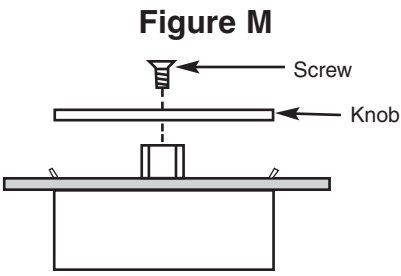


Figure L

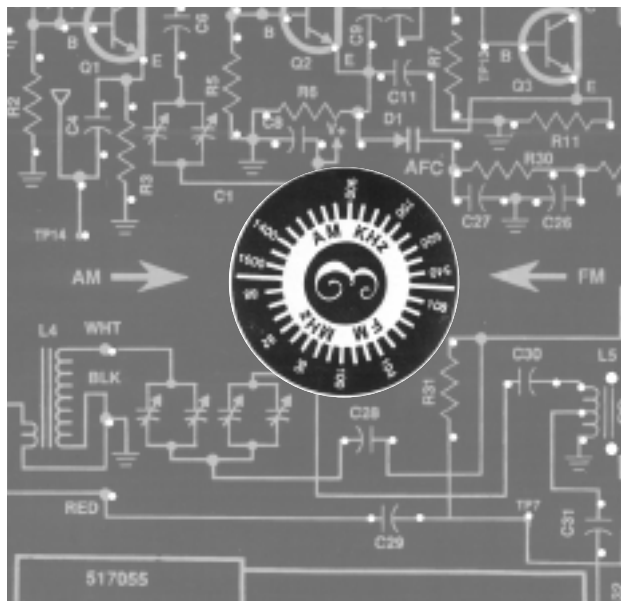
ASSEMBLY INSTRUCTIONS

Figure M



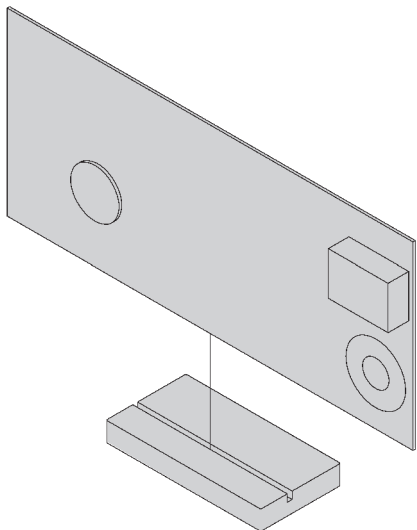
Fasten the knob to the shaft of the capacitor with a screw.

Rotate the knob fully clockwise. Peel off the protective backing on the label. Line up the long white lines on the label with the arrows on the PC board.



PC Board Stand

Insert the PC board into the stand as shown.



STATIC MEASUREMENTS

Q7 BIAS

Connect your VOM to the circuit as shown in Figure 20.

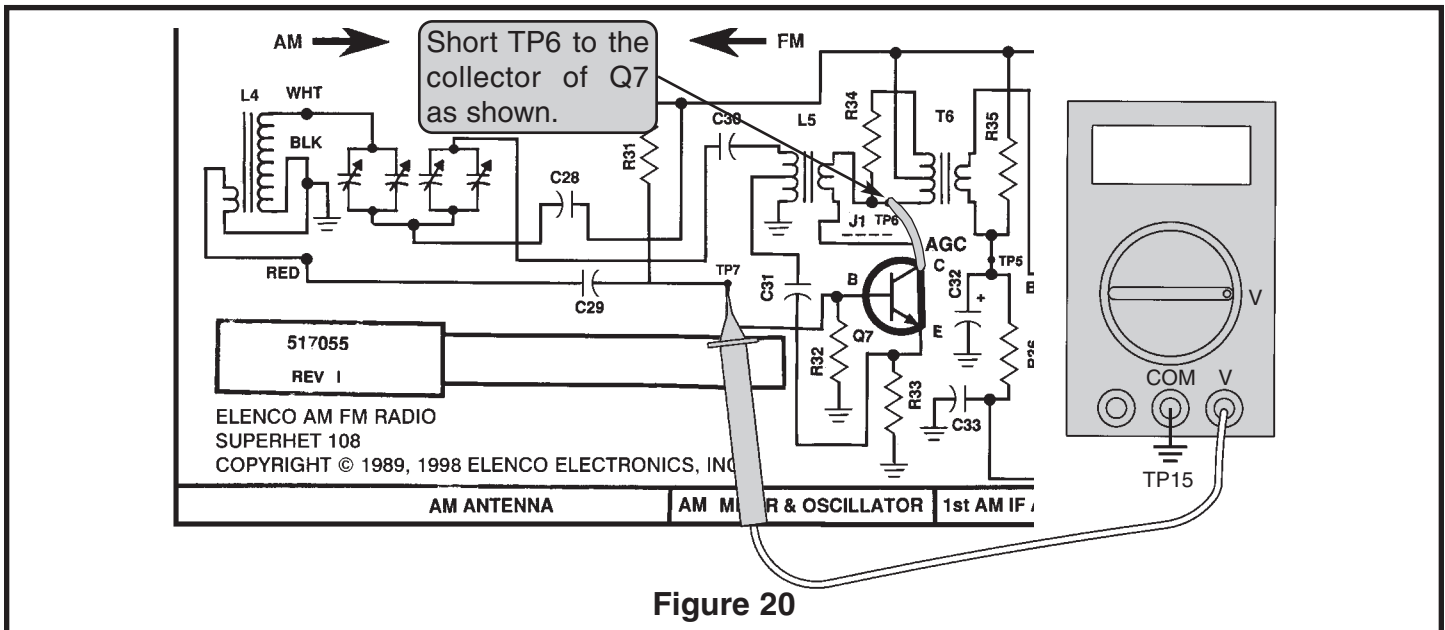


Figure 20

Connect a clip lead from TP6 to the collector of Q7. This short prevents Q7 from oscillating. Set the VOM to read 2 volts DC and turn the power ON. The DC voltage at TP7 should be about 1.6 volts. If the voltage in your circuit differs by more than .5 volts,

leave the power ON and check the battery voltage. If the battery voltage is greater than 8.5 volts, check components R31, R32, R33 and Q7. Turn the power OFF.

If you do not have an oscilloscope, skip to the AM Final Alignments.

DYNAMIC MEASUREMENTS

AM OSCILLATOR CIRCUIT

Connect your test equipment to the circuit as shown in Figure 21.

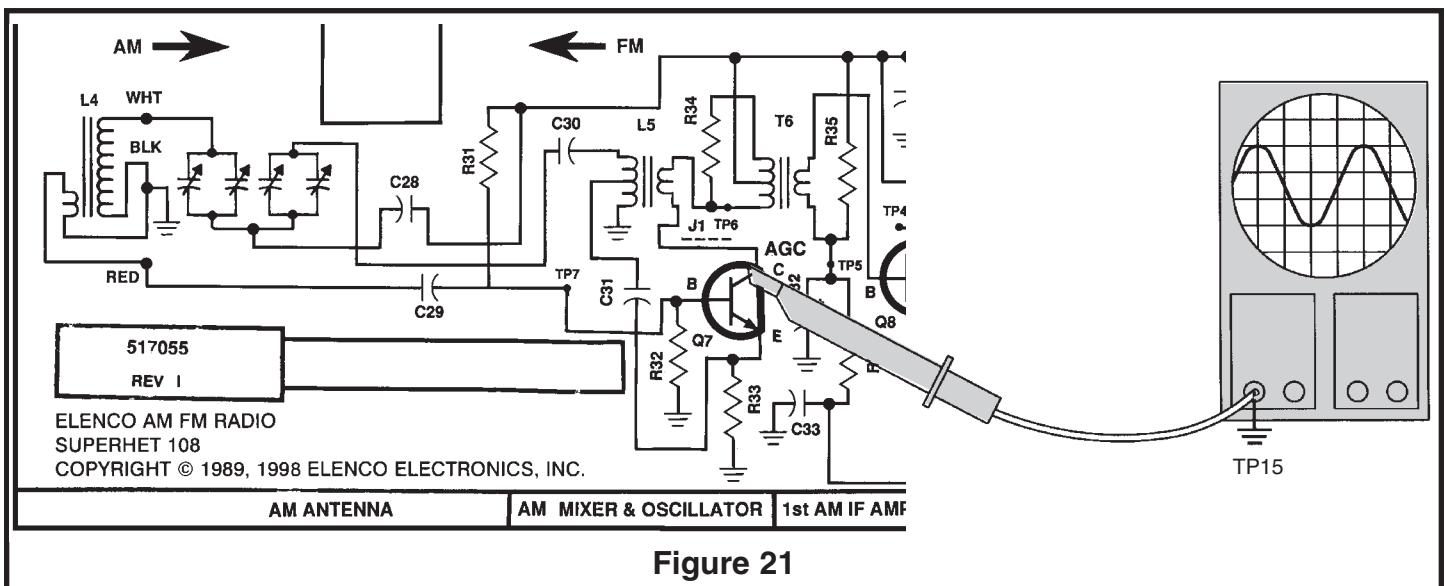


Figure 21

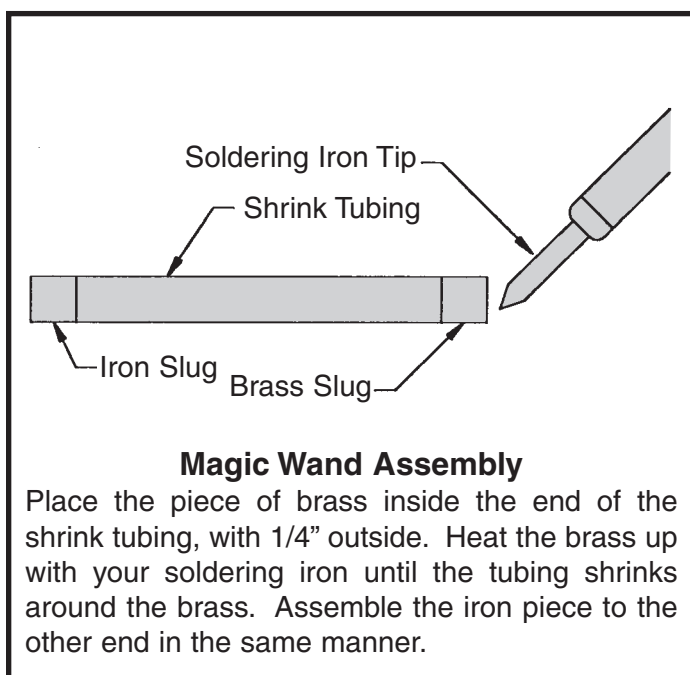
Set the scope to read 1 volt per division and turn the power ON. The scope should display a low voltage sinewave. The frequency of the sinewave should change when the tuning gang is turned. If your

circuit fails this test, check components Q7, gang capacitor, C28, C29, C30, C31, L4 and L5. Turn the power OFF.

AM FINAL ALIGNMENTS

There are two different AM alignment procedures. The first alignment procedure is for those who do not have test equipment and the second is for those who do have test equipment.

Included in your kit is a special device called a “magic wand” which is used for aligning resonant circuits. It usually has a piece of brass on one end and a piece of iron on the other. When the brass end of the “magic wand” is placed near the AM antenna, the antenna coil will react as if inductance has been removed. Likewise, when the iron end of the “magic wand” is placed near the AM antenna, the antenna coil will react as if inductance has been added. Therefore, when either brass or iron is placed near the antenna coil, it will change the inductance of the antenna coil. This change in the inductance will cause the resonant frequency of the circuit to change, thus changing the frequency at which the antenna was selective. When aligning the antenna and oscillator circuits, coils L4 and L5 are adjusted at the lower end of the band, while the oscillator and antenna trimmer capacitors are adjusted at the higher end of the band. This is done so that the antenna and the oscillator will track correctly.



AM ALIGNMENT WITHOUT TEST EQUIPMENT

It is best to use an earphone for this procedure. Make sure that the switch is in the AM position. With an alignment tool or screwdriver, turn coils L5, T6, T7 and T8 fully counter clockwise until they stop. **DO NOT FORCE THE COILS ANY FURTHER.** Turn each coil in about 1 1/4 to 1 1/2 turns. Set the AM antenna coil about 1/8" from the end of its ferrite rod. Refer to Figure K.

IF ALIGNMENT

Turn the power ON and adjust the volume to a comfortable level. Turn the dial until a weak station is heard. If no stations are present, slide the antenna back and forth on its ferrite core, and retune the dial if necessary. Adjust T6 until the station is at its loudest. Reduce the volume if necessary. Adjust T7 until the station is at its loudest and reduce the volume if necessary. Adjust T8 until the station is at its loudest and reduce the volume if necessary. Retune the radio for another weak station and repeat this procedure until there is no more improvement noticed on the weakest possible station. This process peaks the IF amplifiers to their maximum gain.

OSCILLATOR ALIGNMENT

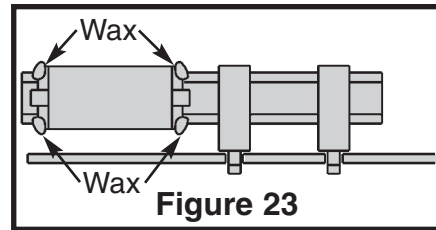
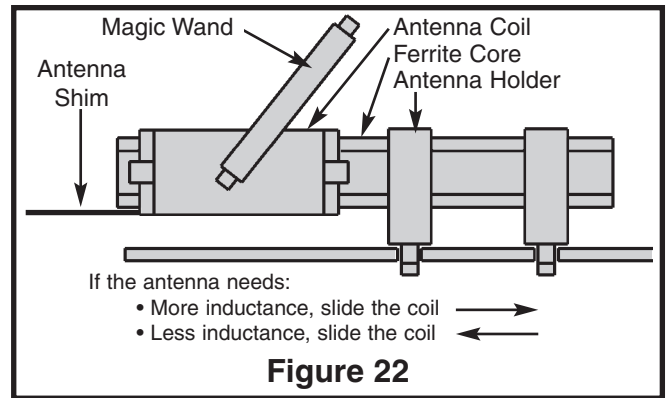
Tune the radio until a known AM station around 600kHz is heard. It may be necessary to listen to the station until their broadcast frequency is announced. If no stations are present at the low side of the AM band, adjust L5 until a station is heard. Once a station is found and its broadcast frequency is known, rotate the dial until the white pointer is aligned to that station's frequency marking on the dial. Adjust L5 until the station is heard. Tune the radio until a known station around 1400kHz is heard. It may be necessary to listen to the station until their broadcast frequency is announced. If no stations are present, adjust the AM oscillator trimmer on the gang until a station is heard (refer to Figure L). Once a station is found and its broadcast frequency is known, rotate the dial until the white pointer is aligned to that station's frequency marking on the dial. Adjust the AM oscillator trimmer on the gang until the station is heard. Repeat these 2 steps until the oscillator alignment is optimized. This process sets the oscillator range at 955kHz to 2055kHz.

ANTENNA ALIGNMENT

Tune the radio for a station around 600kHz. With the “magic wand” place the brass end near the antenna coil as shown in Figure 22. If the signal heard at the output increases, it means that the antenna coil needs less inductance. To remove inductance, carefully slide the antenna coil along its ferrite core in the direction shown in Figure 22. Place the iron end of the “magic wand” near the antenna coil. If the signal heard at the output increases, this means that the antenna coil needs more inductance. To add more inductance, carefully slide the antenna coil along its ferrite core in the direction shown in Figure 22. Repeat these steps until the signal heard decreases for both ends of the “magic wand”. Tune the radio for a station around 1400kHz. With the “magic wand”, place the brass end near the antenna coil. If the signal heard at the output increases, it means that the antenna coil needs more capacitance. Adjust the antenna trimmer on the back of the gang until the signal is at its loudest. Refer to Figure L for the location of the antenna trimmer. Place the iron end of the “magic wand” near the antenna coil. If the signal heard at the output increases, it means that the antenna coil needs less capacitance. Adjust the antenna trimmer on the back of the gang until the signal is at its loudest. Repeat these steps until the signal heard decreases for both ends of the “magic wand”. Since the adjustment of both the antenna trimmer and antenna coil will effect the antenna alignment, it is advisable to repeat the entire procedure until the antenna alignment is optimized. This process sets the tracking of the AM radio section.

Once the antenna is properly aligned, CAREFULLY APPLY CANDLE WAX or glue to the antenna coil and the ferrite rod to prevent it from moving (see Figure 23). Cut the shim flush with the antenna.

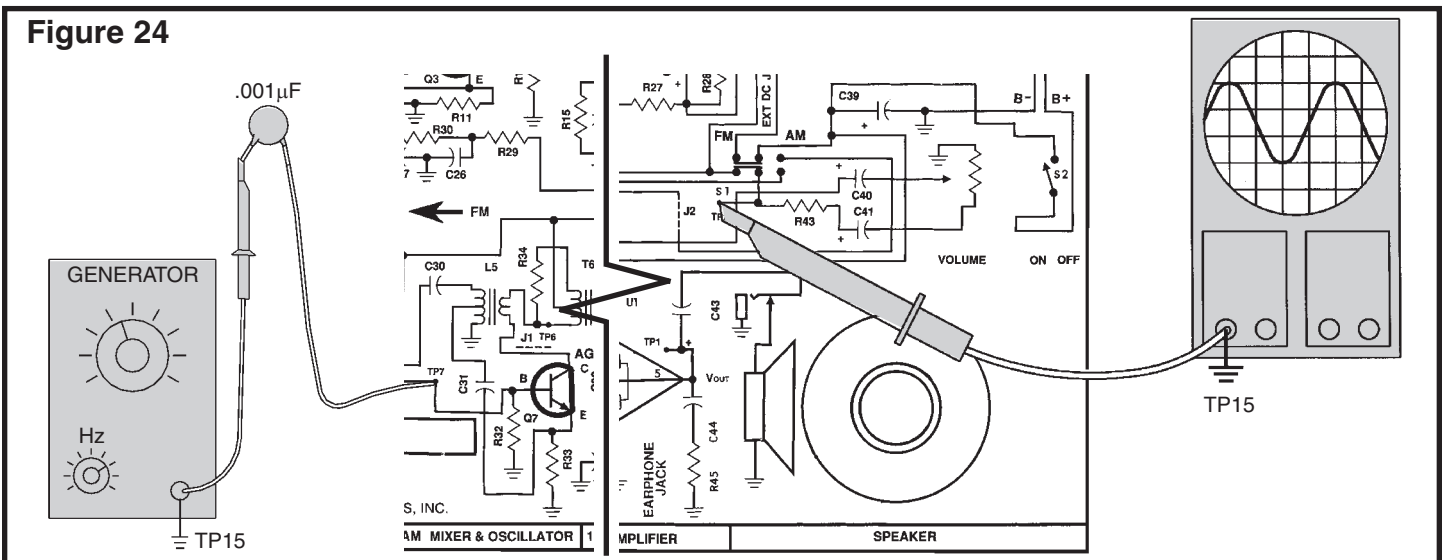
This concludes the alignment of the AM radio section. If no stations are heard, verify that AM signals are present in your location by listening to another AM radio placed near the Superhet 108. If the AM section is still not receiving, go back and check each stage for incorrect values and for poor soldering. Proceed to the FM assembly section.



AM ALIGNMENT WITH TEST EQUIPMENT IF ALIGNMENT

Connect your RF generator and oscilloscope as shown in Figure 24. Make sure that the switch is in

the AM position. Place a short from the collector of Q7 to TP6. This short “kills” the AM oscillator.



Set the RF generator at 455kHz, modulation of 400Hz 80% and minimum voltage out. Set the oscilloscope to read .1 volts per division and turn the power ON. Increase the amplitude of the generator until the oscilloscope shows a 400Hz sinewave 5 divisions or .5 volts pp. With an alignment tool or screwdriver adjust T6 for a peak. Reduce the generator amplitude so that 5 divisions are maintained. Adjust T7 for a peak and reduce that amplitude again if necessary. Repeat these steps to optimize the IF alignment. This process aligns the IF amplifiers to 455kHz.

After the IF alignment is complete, lower the frequency of the generator until the voltage drops .707 of its peaked value or .35Vpp. Record the frequency of the lower 3dB corner here:

$$F_l = \text{_____ kHz.}$$

Increase the frequency of the generator past the peak until the voltage seen on the scope drops .707 of its peaked value or .35Vpp. Record the frequency of the high 3dB corner here:

$$F_h = \text{_____ kHz.}$$

The bandwidth of the IF is equal to $BW = F_h - F_l$. The IF's bandwidth should be around 6kHz. Turn the power OFF and **remove the short from the**

collector of Q7 to TP6.

Calculate the bandwidth: _____ kHz.

OSCILLATOR ALIGNMENT

Set the RF generator at 540kHz, 400Hz 80% AM modulation and a low level of output. Turn the power ON and set the volume control to a comfortable level. Turn the tuning knob counter-clockwise until the white pointer is aligned at the 540kHz marking on the dial. With an alignment tool or screwdriver adjust L5 until a 400Hz tone is heard. Adjust L5 for a peak on the oscilloscope. Adjust the amplitude of the RF generator to maintain a level of .5 volts peak to peak or less. After peaking L5, set the generator frequency to 1600kHz. Turn the tuning knob clockwise until the white pointer is aligned to the 1600kHz marking on the dial. With an alignment tool or screwdriver, adjust the AM oscillator trimmer on the back of the tuning gang until a 400Hz tone is heard. Adjust the trimmer for a peak on the oscilloscope. Refer to Figure L for the location of the AM oscillator trimmer. Repeat these steps to optimize the oscillator alignment. This process sets the oscillator range at 955kHz to 2055kHz.

ANTENNA ALIGNMENT

With the power turned OFF, connect your test equipment as shown in Figure 25.

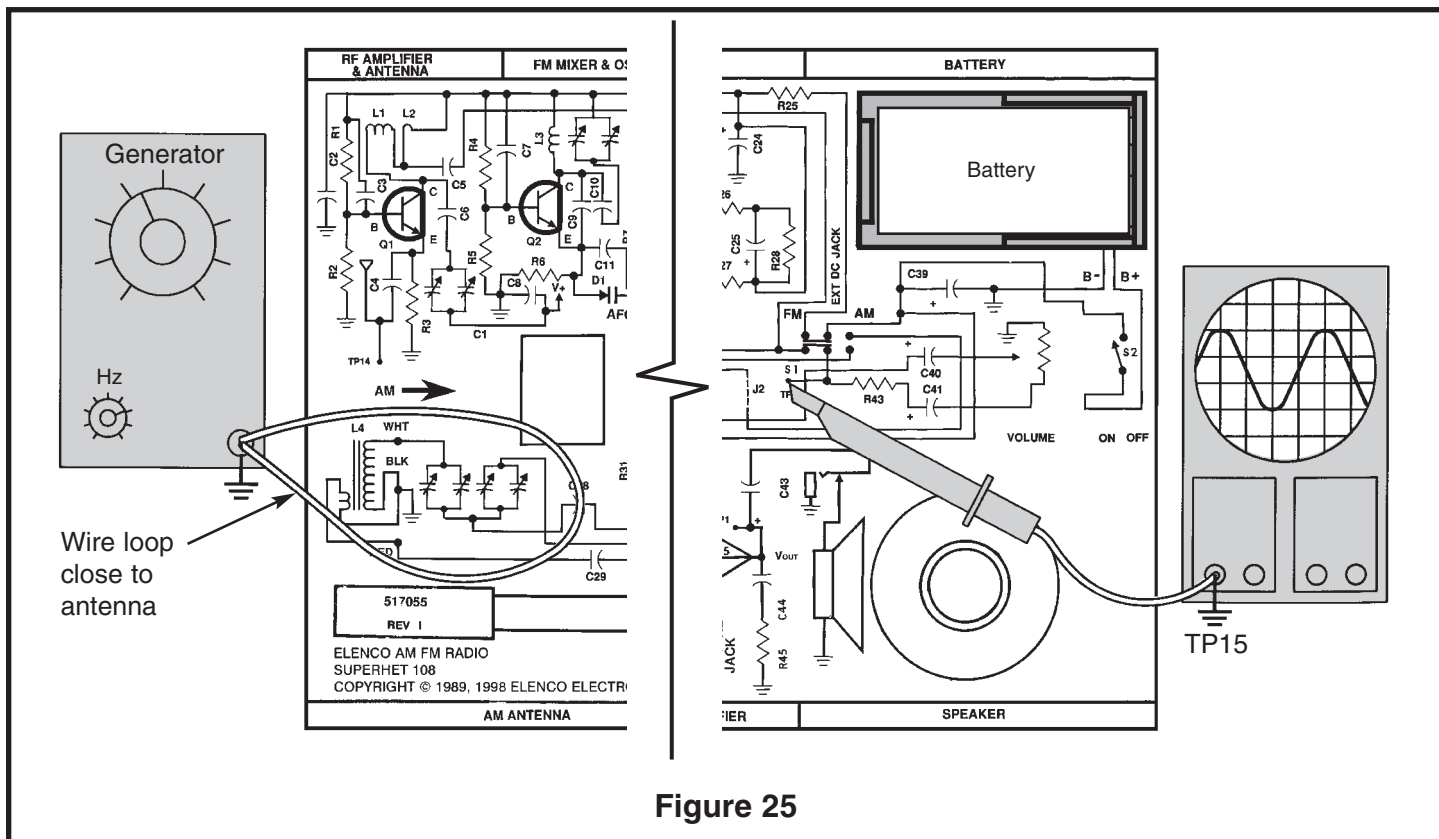


Figure 25

Set the generator at 600kHz, 400Hz 80% modulation, moderate signal strength. Set the oscilloscope to read .1 volts per division. Turn the tuning knob fully counter-clockwise and turn the power ON. Slowly turn the tuning knob clockwise until a 400Hz sinewave is seen on the scope. Adjust the volume control to a comfortable level. If a station exists at 600kHz, then lower the frequency of the generator and repeat the previous steps. With the “magic wand”, place the brass end near the antenna coil as shown in Figure 22. If the signal on the scope increases, it means that the antenna coil needs less inductance. To add more inductance, carefully slide the antenna coil along it’s ferrite core in the direction shown in Figure 22. Repeat these steps until the signal seen decreases for both ends of the “magic wand”. Increase the frequency of the generator to 1400kHz and turn the tuning knob clockwise until a 400Hz sinewave is seen on the scope. If a station exists at 1400kHz, increase the frequency of the generator and repeat the previous steps. Place the

brass end of the “magic wand” near the antenna coil. If the signal increases, it means that the antenna coil needs less capacitance. Adjust the antenna trimmer for a peak. Refer to Figure L for the location of the AM antenna trimmer. Since the adjustment of both the antenna alignment is optimized. This process sets the AM tracking of the Superhet 108. Once the antenna is properly aligned, carefully apply candle wax or glue the antenna coil to the ferrite rod to prevent it from moving as shown in Figure 23. Cut the shim flush with the antenna. Proceed to the FM assembly section.

This concludes the alignment of the AM radio section. If no stations are heard, verify that AM signals are present in your location by listening to another AM radio placed near the Superhet 108. If the AM section is still not receiving, go back and check each stage for incorrect values and for poor soldering. Proceed to the FM assembly section.

AM RADIO HIGHLIGHTS

1. The number of vibrations (or cycles) per second produced by a sound is called the frequency, and is measured in hertz.
2. The distance between peaks of sound waves is called the wavelength.
3. Sound waves are produced as a certain number of vibrations per second. The more vibrations per second, the higher the frequency; the fewer vibrations, the lower the frequency.
4. Waves of very high frequency are called radio waves and travel great distances through the air without the use of wires.
5. Carrier waves are radio waves used by broadcast stations to carry audio waves.
6. The process of adding the audio waves to the radio waves is called modulation, and the process of removing the radio wave from the audio wave is called demodulation, which is performed in an AM radio by the detector.
7. The amount of signal picked up by the antenna will depend on the power of the signal transmitted and the distance the signal travelled.
8. Rectification is the process of removing half the signal, while filtering is the process of smoothing that signal.
9. Heterodyning is the process of mixing two signals (the incoming RF signal and the RF signal from the local oscillator) to produce a third signal (the IF signal).

DC VOLTAGES

The voltage readings below should be used in troubleshooting the AM section. (Switch at AM position).

Q7	B	1.5	U1	1	1.3
	E	1.0		2	0
	C	8.8		3	0
				4	0
TP5 (AGC)		1.4		5	4.5
				6	9.0
Q8	B	1.4		7	4.6
	E	.8		8	1.3
	C	8.8			
Q9	B	1.7	TP1		4.5
	E	1.0			
	C	9.0			

Test Conditions

1. Volume set to minimum.
2. Connect side of capacitor C29 (that goes to L4) to TP15 with a jumper wire.
3. Battery voltage = 9V
4. All voltages are referenced to circuit common.
5. Voltage readings can vary $\pm 10\%$

QUIZ - AM SECTION

INSTRUCTIONS: Complete the following examination, check your answers carefully.

- The number of cycles produced per second by a source of sound is called the ...
 - A) amplitude.
 - B) vibration.
 - C) sound wave.
 - D) frequency.
- The radio frequencies used by AM broadcast stations are between ...
 - A) 20kHz and 400kHz.
 - B) 5kHz and 20kHz.
 - C) 2400kHz and 6000kHz.
 - D) 550kHz and 1600kHz.
- The process of removing the audio wave from the radio wave is called ...
 - A) demodulation.
 - B) frequency reduction.
 - C) modulation.
 - D) vibrating.
- When an electromagnetic wave (modulated radio wave) passes an antenna, it ...
 - A) induces a voltage and current in the antenna.
 - B) changes an audio wave into a radio wave.
 - C) changes the carrier frequency.
 - D) produces sidebands.
- The power of the signal transmitted by the broadcast station and the distance, the signal travelled from the transmitter to the receiver, determine the ...
 - A) frequency of the modulation.
 - B) wavelength of the audio waves.
 - C) amount of signal picked up by the antenna.
 - D) type of filter that is used.
- When the two metal plates on a variable capacitor are unmeshed the ...
 - A) capacitance is minimum.
 - B) capacitance is maximum.
 - C) capacitance is not affected.
 - D) inductance is increased.
- The process of mixing two signals to produce a third signal is called ...
 - A) filtering.
 - B) detecting.
 - C) rectification.
 - D) heterodyning.
- The magic wand is used to determine ...
 - A) whether more or less inductance is required in a tuned circuit.
 - B) whether more or less capacitance is required in a tuned circuit.
 - C) the gain of an RF amplifier.
 - D) whether the oscillator is functioning.
- The IF frequency of your AM radio is ...
 - A) 1600kHz.
 - B) 455kHz.
 - C) 550kHz.
 - D) 910kHz.
- The purpose of the AGC circuit is to ...
 - A) automatically control the frequency of the oscillator circuit.
 - B) control the band width of the IF stages.
 - C) reduce distortion in the audio circuit.
 - D) maintain a constant audio level at the detector, regardless of the strength of the incoming signal.

Answers: 1. D, 2. D, 3. A, 4. A, 5. C, 6. A, 7. D, 8. A, 9. B, 10. D

PARTS LIST FOR FM SECTION

RESISTORS

Qty.	Symbol	Value	Color Code	Part #
<input type="checkbox"/> 2	R9, 23	100Ω 5% 1/4W	brown-black-brown-gold	131000
<input type="checkbox"/> 1	R25	220Ω 5% 1/4W	red-red-brown-gold	132200
<input type="checkbox"/> 1	R3	470Ω 5% 1/4W	yellow-violet-brown-gold	134700
<input type="checkbox"/> 5	R18, 22, 24, 26, 27	1kΩ 5% 1/4W	brown-black-red-gold	141000
<input type="checkbox"/> 1	R11	1.8kΩ 5% 1/4W	brown-gray-red-gold	141800
<input type="checkbox"/> 2	R15, 6	2.2kΩ 5% 1/4W	red-red-red-gold	142200
<input type="checkbox"/> 2	R2, 7	6.8kΩ 5% 1/4W	blue-gray-red-gold	146800
<input type="checkbox"/> 7	R10,12,14,16,19,20,28	10kΩ 5% 1/4W	brown-black-orange-gold	151000
<input type="checkbox"/> 2	R1, 8	22kΩ 5% 1/4W	red-red-orange-gold	152200
<input type="checkbox"/> 2	R4, 5	33kΩ 5% 1/4W	orange-orange-orange-gold	153300
<input type="checkbox"/> 3	R13, 17, 21	47kΩ 5% 1/4W	yellow-violet-orange-gold	154700
<input type="checkbox"/> 2	R29, 30	390kΩ 5% 1/4W	orange-white-yellow-gold	163900

CAPACITORS

Qty.	Symbol	Value	Description	Part #
<input type="checkbox"/> 1	C9	15pF	Discap (15)	211510
<input type="checkbox"/> 1	C10	30pF	Discap (30)	213010
<input type="checkbox"/> 1	C6	33pF	Discap (33)	213317
<input type="checkbox"/> 1	C11	220pF	Discap (221)	222210
<input type="checkbox"/> 2	C4, 5	470pF	Discap (471)	224717
<input type="checkbox"/> 3	C3, 7, 27	.001μF	Discap (102)	231036
<input type="checkbox"/> 3	C2, 8, 12	.005μF	Discap (502)	235018
<input type="checkbox"/> 10	C13 - 22	.01μF	Discap (103)	241031
<input type="checkbox"/> 1	C23	.02μF or .022μF	Discap (203) or (223)	242010
<input type="checkbox"/> 1	C26	.1μF	Discap (104)	251010
<input type="checkbox"/> 1	C25	10μF	Electrolytic Radial (Lytic)	271045
<input type="checkbox"/> 1	C24	470μF	Electrolytic Radial (Lytic)	284744

SEMICONDUCTORS

Qty.	Symbol	Value	Description	Part #
<input type="checkbox"/> 1	D1		Varactor Diode	310176
<input type="checkbox"/> 2	D2, 3	1N60	Diode	311065
<input type="checkbox"/> 6	Q1 - Q6	2N3904	Transistor	323904

COILS

Qty.	Symbol	Value	Description	Part #
<input type="checkbox"/> 1	T5	Blue	FM Detector	430110
<input type="checkbox"/> 1	T4	Pink	FM Detector	430120
<input type="checkbox"/> 2	T2, 3	Green	FM IF	430130
<input type="checkbox"/> 1	T1	Orange	FM Mixer	430140
<input type="checkbox"/> 1	L1	6 Turns	FM RF Amp	430160
<input type="checkbox"/> 1	L2	2 Turns	FM RF Amp	430170
<input type="checkbox"/> 1	L3	5 Turns	FM Oscillator	430180

MISCELLANEOUS

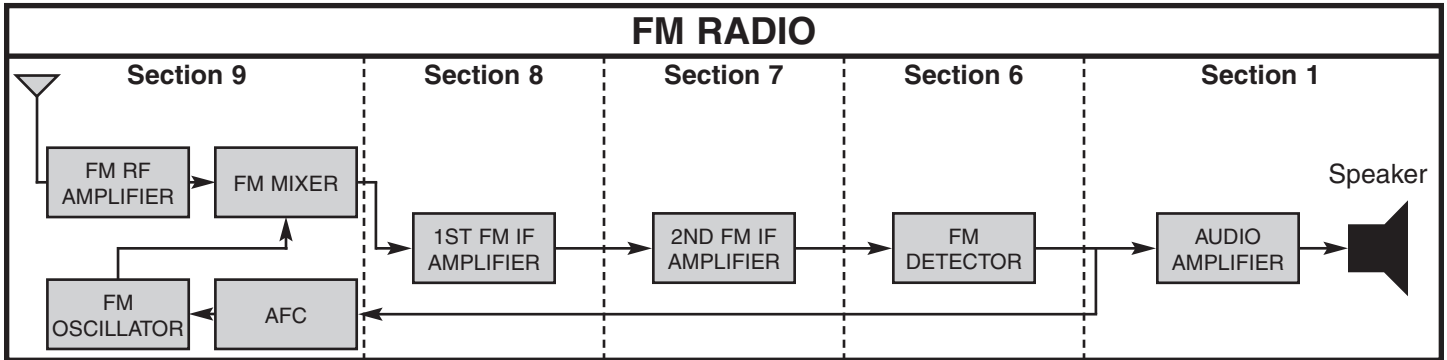
Qty.	Symbol	Description	Part #
<input type="checkbox"/> 1		Antenna FM	484005
<input type="checkbox"/> 2		Screw 2-56 x 1/4"	641230
<input type="checkbox"/> 2		Antenna Screw M2	643148
<input type="checkbox"/> 2		Nut 2-56	644201
<input type="checkbox"/> 7	TP8 - 14	Test Point Pin	665008
<input type="checkbox"/> 1		Coil Spacer	669108

SECTION 6

THE FM RADIO

Section 6 begins the construction of the FM radio. The stages that we will build are shown in the block diagram below. We will begin with the FM Ratio

Detector and work back to the FM Antenna. Each stage will be tested before proceeding to the next stage.



FM RATIO DETECTOR

In the AM DETECTOR section we observed that the audio was detected from changes in the amplitude of the incoming signal. In FM detection, the audio is detected from changes in frequency of the incoming signal. The RATIO DETECTOR has built-in limiting action which limits the signal so that any noise riding on the FM carrier will be minimized. The RATIO DETECTOR is redrawn below for ease of explanation.

When an incoming signal is present at T4 and T5, a current flows through D2, R26, R28, R27 and D3. At no modulation, the current through the diodes D2 and D3 are equal because T5 is center tapped.

Thus, no current is drawn through C23 resulting in zero audio output voltage. When the incoming signal is modulated, the current through one diode will be greater than the other. This causes a current to flow in C23 which will produce an audio voltage across C23. If the modulation is of opposite direction than before, more current will flow in the other diode, which will again cause current to flow in C23 in the opposite direction resulting in an audio voltage being produced across C23. The large current drawn from the audio which causes the battery voltage to vary. The ratio detector is decoupled further by the resistor R23 and capacitor C21.

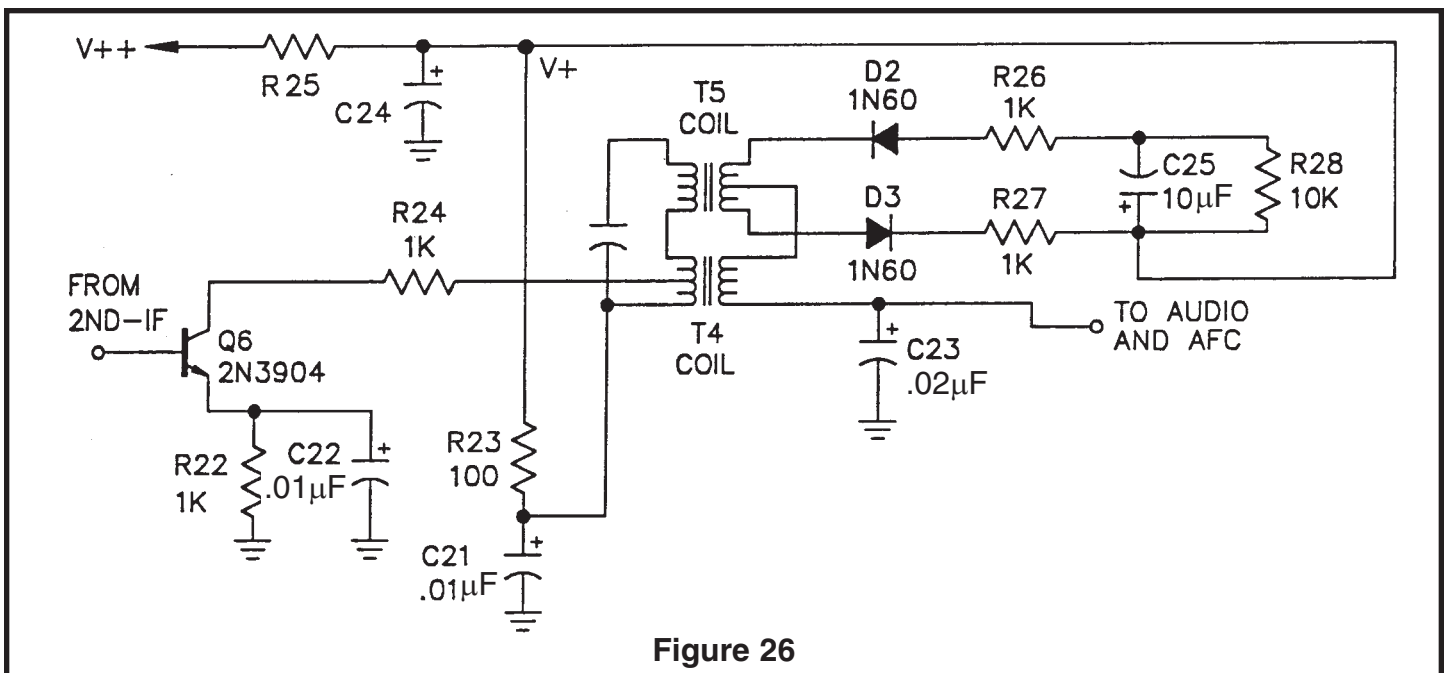
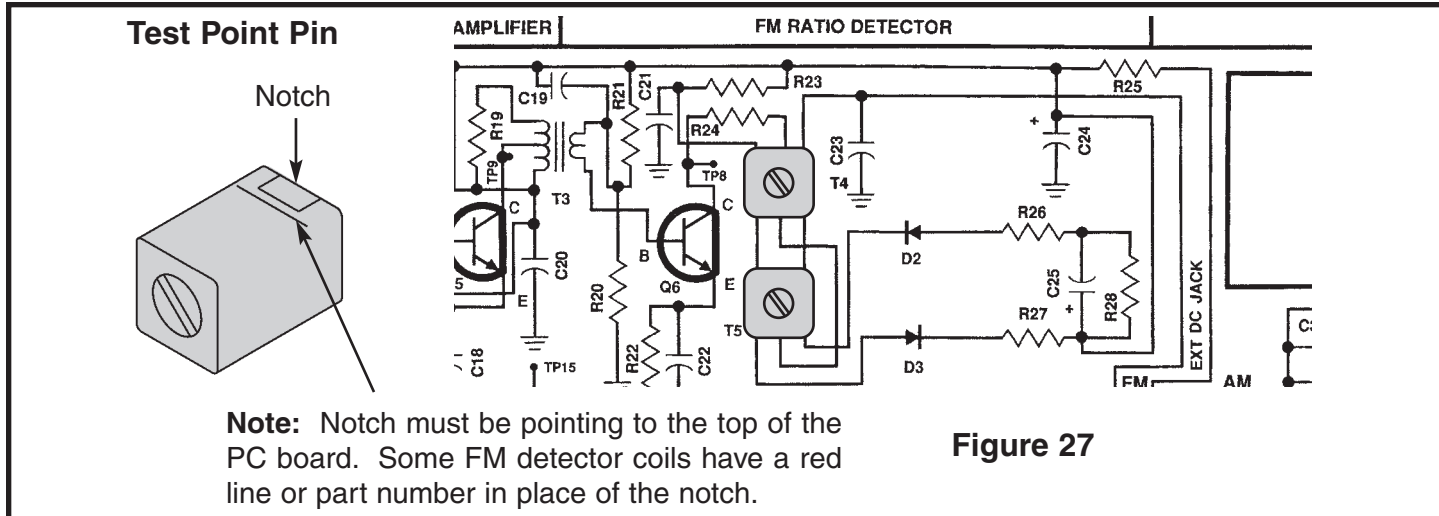
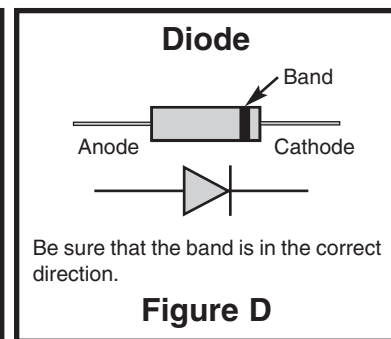
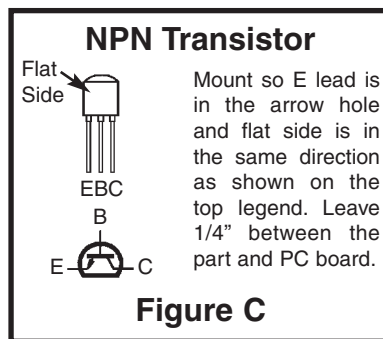
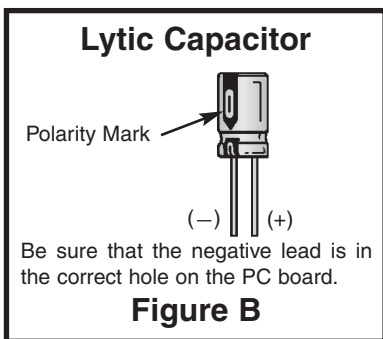
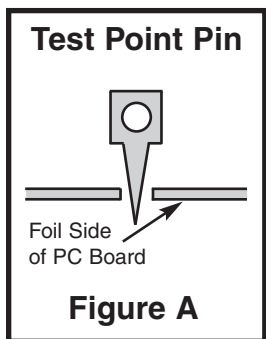
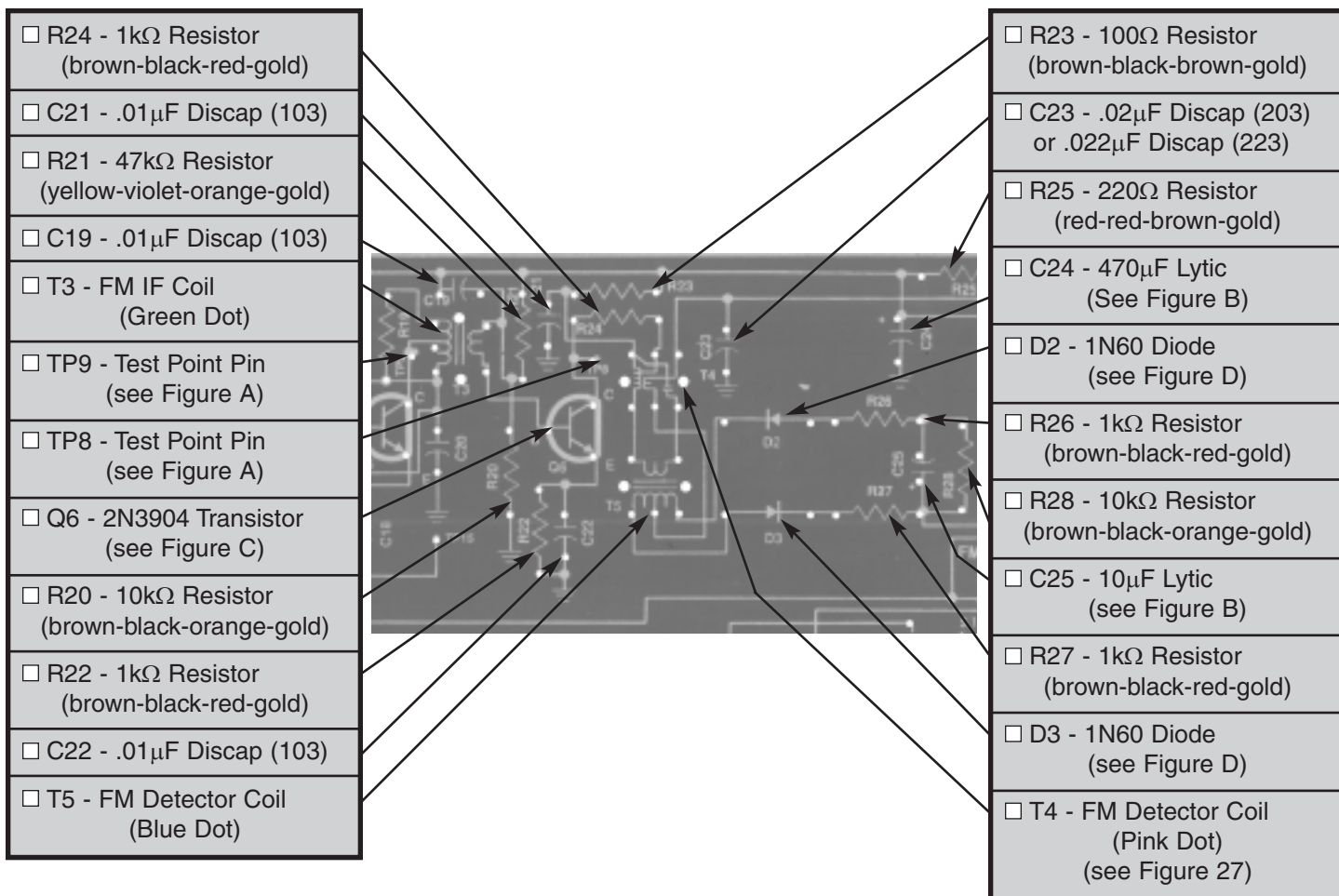


Figure 26

ASSEMBLY INSTRUCTIONS



STATIC MEASUREMENTS

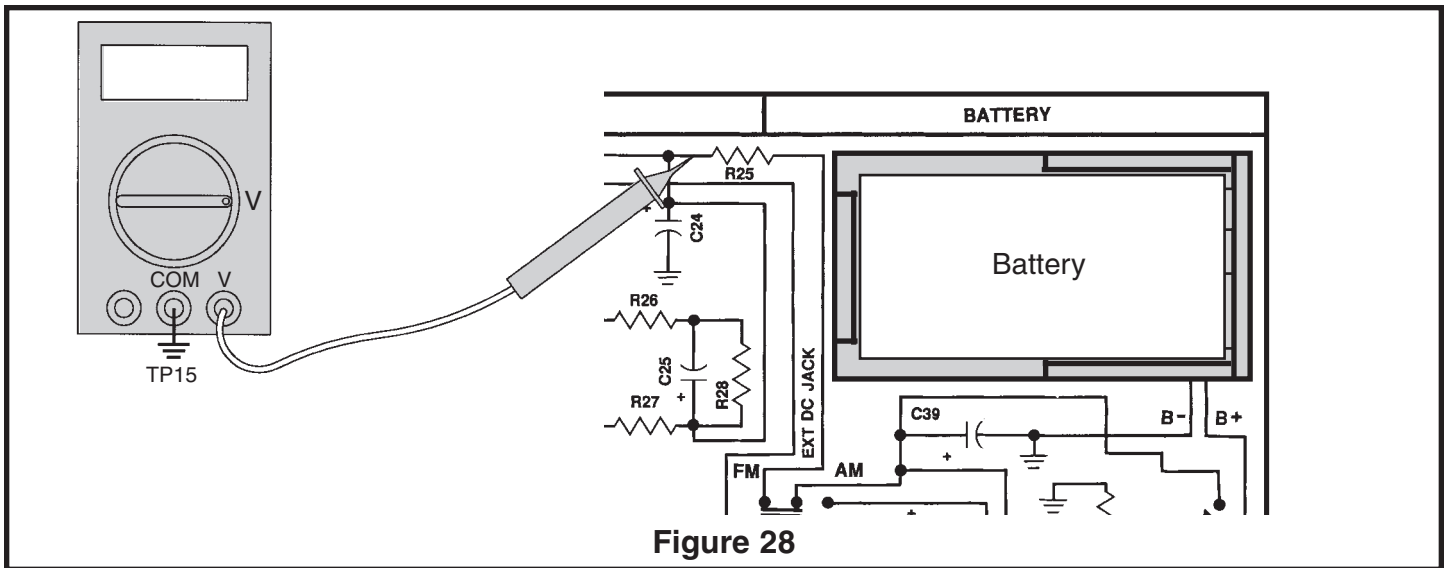


Figure 28

FM VOLTAGE

Connect your VOM as shown in Figure 28. Switch the AM/FM switch to the FM position. Set your VOM to read 9 volts DC. Turn the power ON. The voltage

at this point should be between 7 and 9 volts. Turn the power OFF. If you do not get this reading, check R25, C24 and the battery voltage.

TRANSISTOR CURRENT TEST

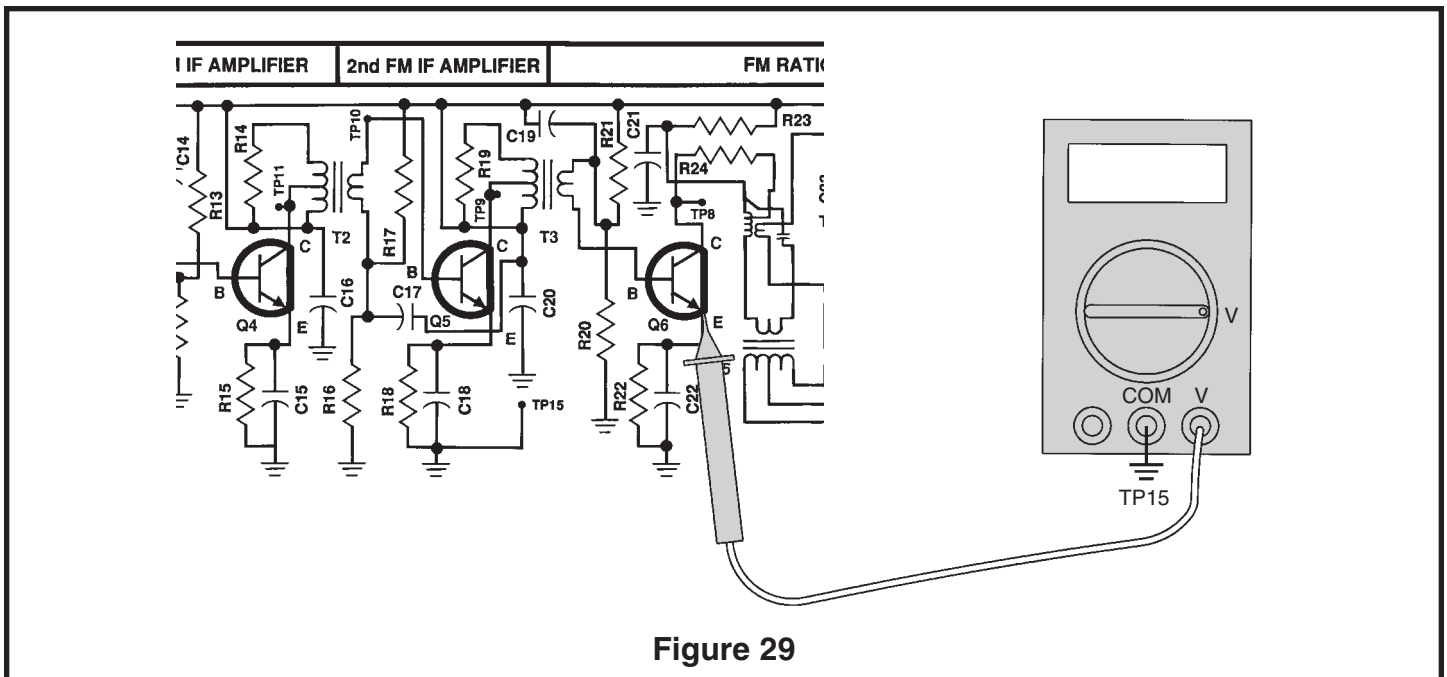


Figure 29

Connect your VOM to the circuit as shown in Figure 29. Turn the power ON. The voltage at the emitter of Q6 should be about .7 volts. Record the voltage here:

$$V(Q6) = \underline{\hspace{2cm}}$$

Turn the power OFF. If your answer is greater than 2 volts, check R20, R21, R22, R24, Q6 and the battery.

Since the current through resistor R22 is equal to the current through transistor Q6, calculate the current through Q6 as follows:

$$\text{Current (I)} = V(Q6) / R22$$

Your calculated answer should be between .0005 amps (.5 milliamps) and .0011 amps (1.1 milliamps).

$$\text{Current (I)} = \underline{\hspace{2cm}}$$

DYNAMIC MEASUREMENTS

AC GAIN

The AC gain of the ratio detector is set by the AC impedance of the primary side of T4 and the current through Q6. The current is set by R20, R21 and R22. Capacitors C22 and C19 bypass the AC signal to ground. Connect your RF generator and oscilloscope to the circuit as shown in Figure 30.

Your scope probe must have an input capacitance of 12pF or less, otherwise the probe will detune T4 causing an incorrect measurement of the AC gain. Set the generator for 10.7MHz no modulation and minimum voltage output. Set the scope to read 50mV/division. Turn the power ON and slowly increase the amplitude of the generator until 3 divisions or 150mVpp are seen on the scope. With an alignment tool or screwdriver, adjust T4 for a

peak. Reduce the generator input to maintain 150mVpp on the scope. Move the scope probe to the base of Q6 and record the voltage here:

$$V_b = \text{_____ mVpp.}$$

Turn the power OFF. The AC gain can be calculated as follows:

$$\text{AC Gain} = 150\text{mV} / V_b$$

Your calculated answer should be approximately 20.

Record your calculation:

$$\text{AC Gain} = \text{_____}$$

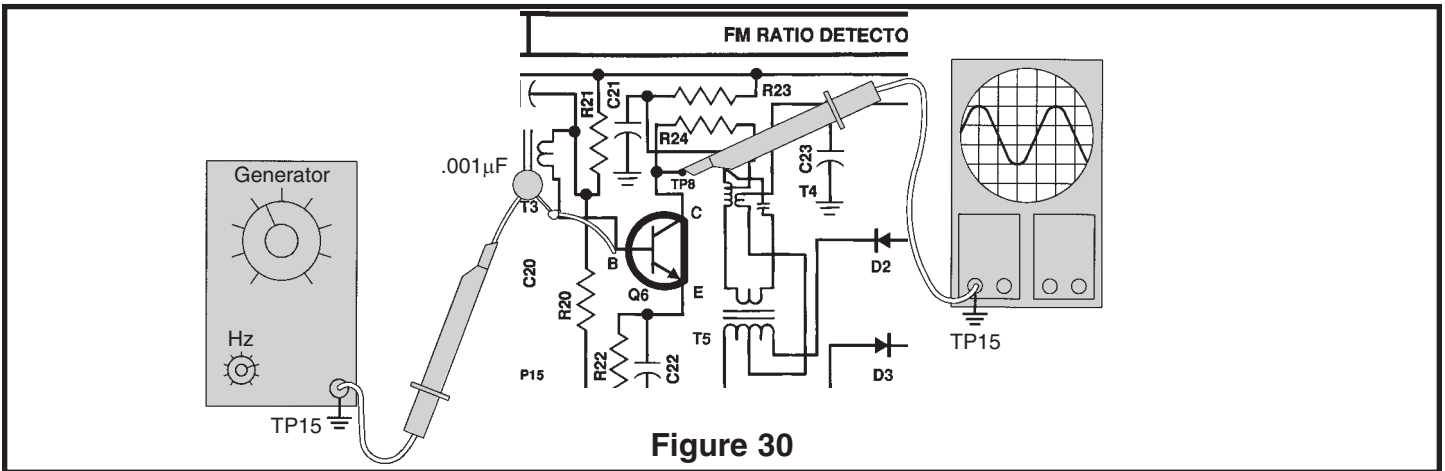


Figure 30

RATIO DETECTOR ALIGNMENT

METHOD #1

ALIGNMENT WITH NO TEST EQUIPMENT

With an alignment tool or a screwdriver, turn both coils T4 and T5 fully counter-clockwise until they

stop. DO NOT FORCE THE COILS ANY FURTHER. Now turn both coils in about 1 1/4 to 1 1/2 turns.

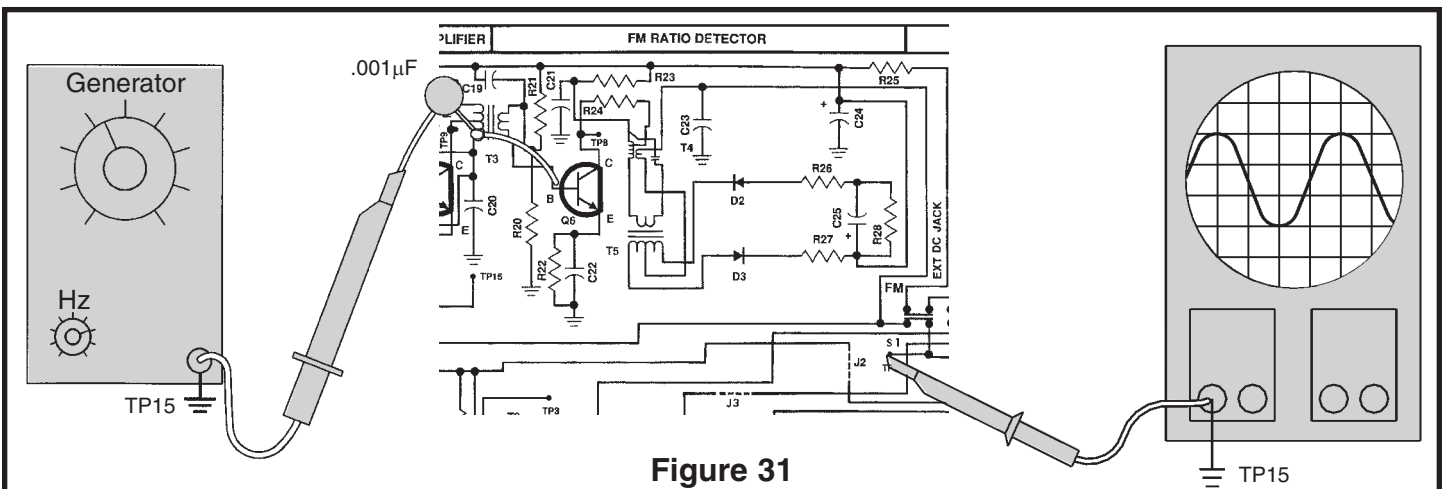


Figure 31

METHOD #2

ALIGNMENT OF RATIO DETECTOR USING A RF GENERATOR AND OSCILLOSCOPE

Connect the RF generator and oscilloscope to the circuit as shown in Figure 31. Set the generator for 10.7MHz modulated at 1kHz, 22.5kHz deviation with minimum voltage out. Turn ON the radio and turn the volume control to the minimum. Slowly increase the amplitude of the generator until a 1kHz sinewave is seen on the scope. With an alignment tool or screwdriver, peak the pink coil T4 for maximum amplitude. Now peak the blue coil T5 for minimum optimized. Turn the power OFF.

METHOD #3

ALIGNMENT OF RATIO DETECTOR USING A SWEEP GENERATOR AND OSCILLOSCOPE

Connect the sweep generator and oscilloscope to the circuit as shown in Figure 31. Set the sweep generator for 10.7MHz and minimum voltage out.

Turn the power ON and set the volume control to a minimum. Increase the amplitude of the sweep generator until an "S" curve is seen (refer to Figure 32). Using an alignment tool or screwdriver, adjust the blue coil T5 until the "S" curve is centered, until each half of the "S" is equal. Repeat these steps until the alignment is optimized. Turn the power OFF.

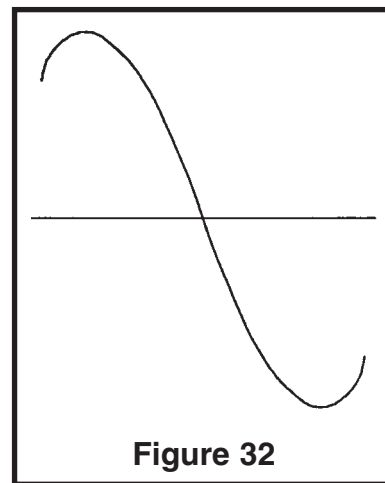


Figure 32

SECTION 7

SECOND FM IF AMPLIFIER

The purpose of the 2nd IF amplifier is to increase the amplitude of the intermediate frequency (IF) while also providing Selectivity. Selectivity is the ability to "pick out" one station while rejecting all others. T3 acts as a bandpass filter that only passes signals around 10.7MHz. The resistor R19 is used to widen

the 3dB bandwidth of the 2nd FM IF amplifier.

The gain at 10.7MHz is fixed by the AC impedance of the primary side of T3 and the current in Q5. The current is fixed by R16, R17 and R18. Capacitors C18 and C17 bypass the AC signal to ground. C20 is a bypass capacitor from V+ to ground.

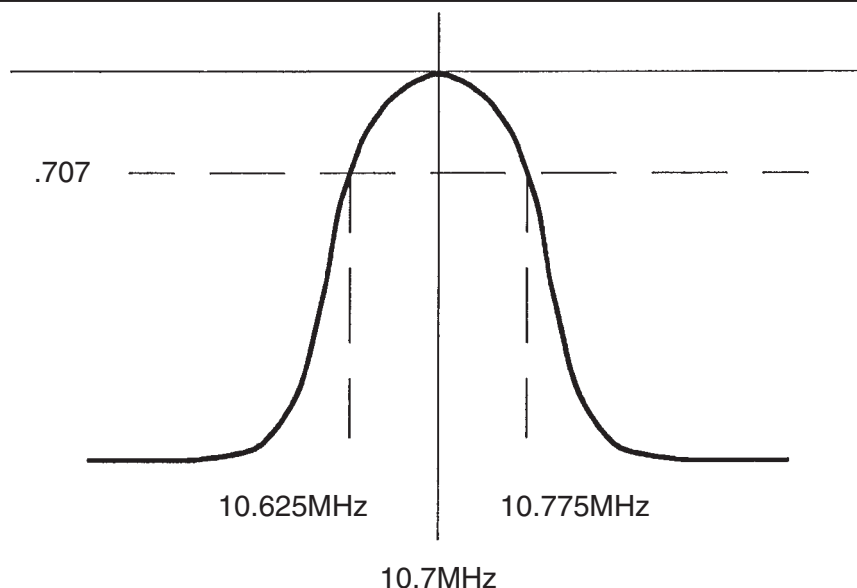


Figure 33

ASSEMBLY INSTRUCTIONS

- TP10 - Test Point Pin (see Figure A)
- T2 - FM IF Coil (Green Dot)
- C17 - .01 μ F Discap (103)
- R16 - 10k Ω Resistor (brown-black-orange-gold)
- R18 - 1k Ω Resistor (brown-black-red-gold)

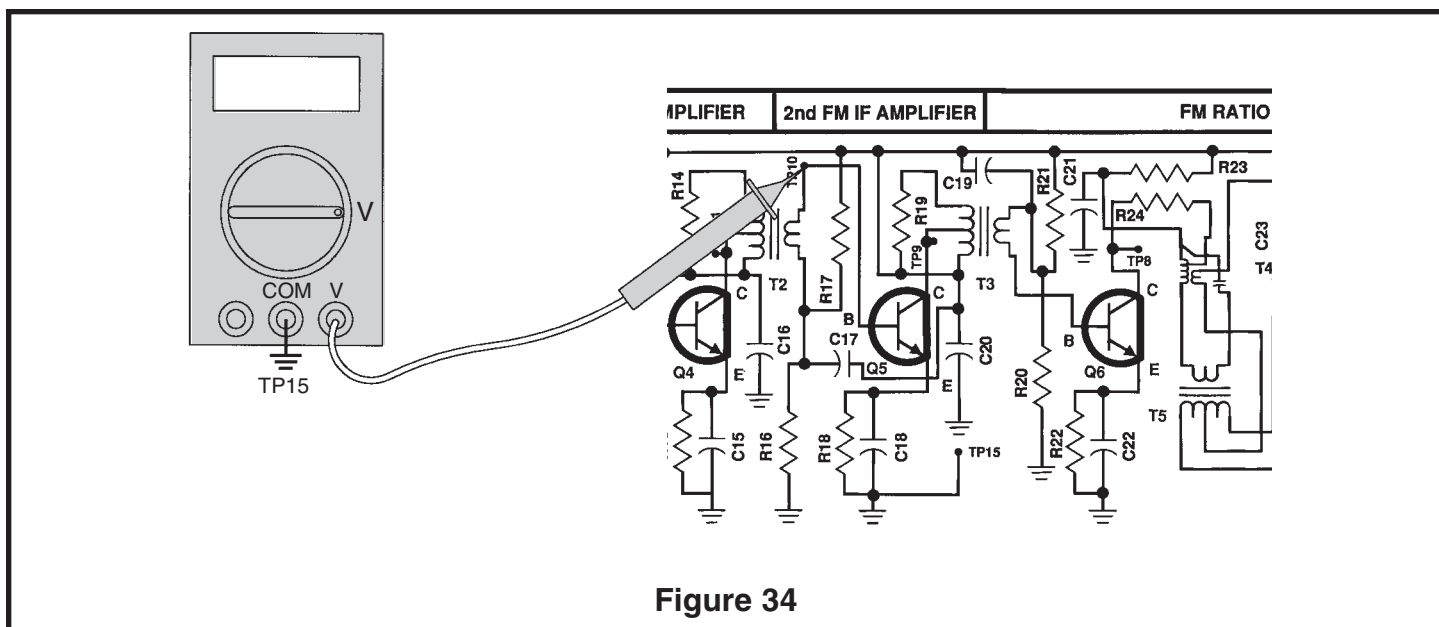
- R17 - 47k Ω Resistor (yellow-violet-orange-gold)
- R19 - 10k Ω Resistor (brown-black-orange-gold)
- Q5 - 2N3904 Transistor (see Figure C)
- C20 - .01 μ F Discap (103)
- C18 - .01 μ F Discap (103)

STATIC TESTS

Q5 BIAS

Connect your VOM to the circuit as shown in Figure 34. Turn the power ON. The voltage at the base of Q5 should be approximately 1.4 volts. Turn the power

OFF. If you do not get this reading, check R17, R16, R18, Q5 and T2.



If you don't have an RF generator and oscilloscope, skip to Section 8.

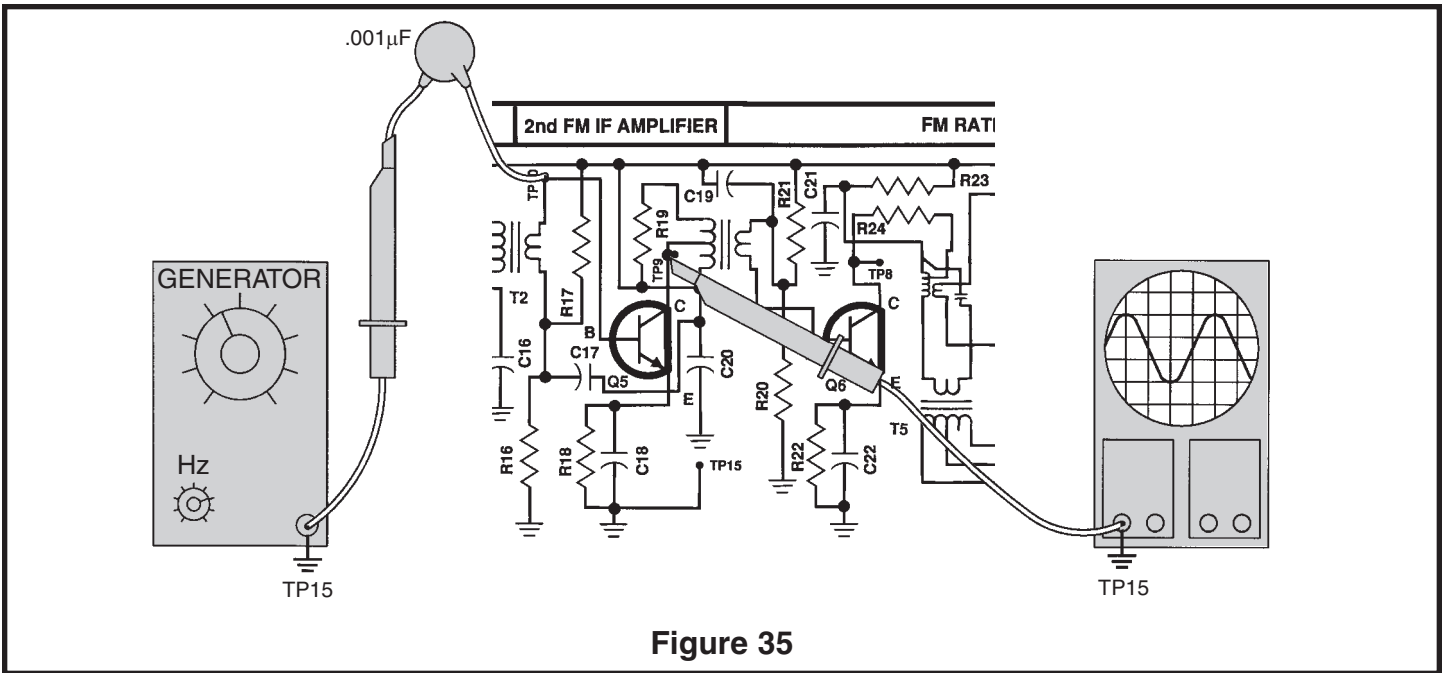


Figure 35

AC GAIN

Connect the RF generator and oscilloscope to the circuit as shown in Figure 35. The scope probe must have an input capacitance of 12pF or less otherwise the probe will detune T3 resulting in a false reading of the AC gain. Set the generator at 10.7MHz no modulation and minimum voltage output. Set the scope to read 50mV per division and turn the power ON. Slowly increase the generator until 150mVpp or 3 divisions are seen on the scope. With an alignment tool or screwdriver adjust T3 for a peak. Reduce the generator until 150mVpp or 3 divisions are seen on the scope. With an alignment tool or screwdriver adjust T3 for a peak. Reduce the generator input to maintain 3 divisions on the scope. Move the probe to the base of Q5 and record the input voltage here:

Vb = _____ mVpp.

Turn the power OFF. The AC gain can be calculated as follows:

AC Gain = 150mV / Vb

Your calculated answer should be about 20.

Record your calculation:

AC Gain = _____

BANDWIDTH

With the power turned OFF, connect your test equipment as shown in Figure 35. Set your generator at 10.7MHz no modulation and minimum voltage output. Set the scope to read 50mV per division. Turn the power ON and slowly adjust the generator amplitude until 150mVpp is seen on the scope. Realign T3, if necessary, for maximum output while adjusting the generator to maintain 150mVpp. Slowly decrease the frequency of the generator until the voltage drops .707 of its original value, 2.1 divisions or 106mVpp. Record the frequency of the lower 3dB drop-off point here:

Fl = _____ MHz.

Increase the frequency until the voltage drops to .707 of its original value, 2.1 divisions or 106mVpp. Record the frequency of the high frequency 3dB drop-off point here:

Fh = _____ MHz.

The bandwidth of the 2nd IF can be calculated as follows:

Bandwidth = Fh - Fl

Your results should be between 300 - 500kHz.

Record your calculation:

Bandwidth = _____

SECTION 8

FIRST FM IF AMPLIFIER

The operation of the first IF amplifier is the same as the second IF amplifier except that the gain is different. The gain is set by the AC impedance of the primary side of T2 and the current in Q4. The current in Q4 is set by the resistors R12, R13 and R15.

Capacitors C14 and C15 bypass the AC signal to ground. C13 and C16 are bypass capacitors from V+ to ground to prevent feedback on the V+ line. R19 is used to widen the bandwidth of the transformer T2.

ASSEMBLY INSTRUCTIONS

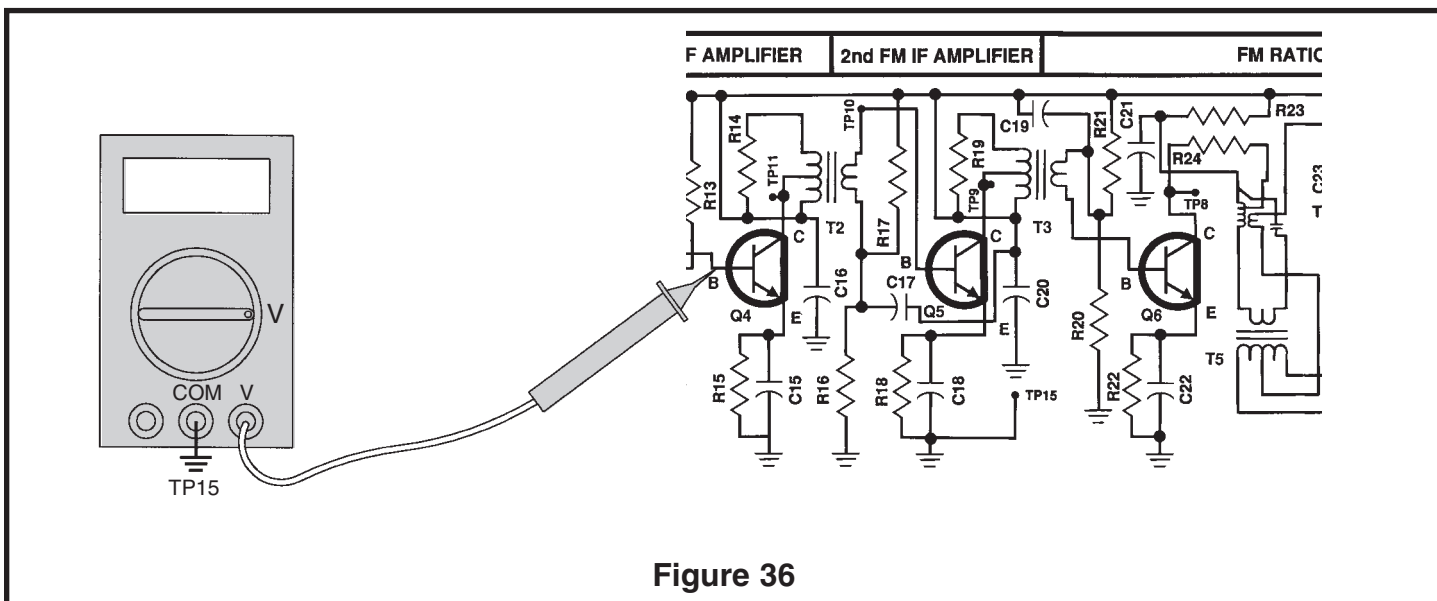
<input type="checkbox"/> C13 - .01 μ F Discap (103)		<input type="checkbox"/> R13 - 47k Ω Resistor (yellow-violet-orange-gold)
<input type="checkbox"/> C14 - .01 μ F Discap (103)		<input type="checkbox"/> R14 - 10k Ω Resistor (brown-black-orange-gold)
<input type="checkbox"/> T1 - FM Mixer Coil (Orange Dot)		<input type="checkbox"/> TP11 - Test Point Pin (see Figure A)
<input type="checkbox"/> R12 - 10k Ω Resistor (brown-black-orange-gold)		<input type="checkbox"/> Q4 - 2N3904 Transistor (see Figure C)
<input type="checkbox"/> R15 - 2.2k Ω Resistor (red-red-red-gold)		<input type="checkbox"/> C16 - .01 μ F Discap (103)
		<input type="checkbox"/> C15 - .01 μ F Discap (103)

STATIC TESTS

Q4 BIAS

Connect your VOM as shown in Figure 36. Turn the power ON. The voltage at the base of Q4 should

approximately be 1.4 volts. If you do not get this reading, check R12, R13, R15, Q4 and T1.



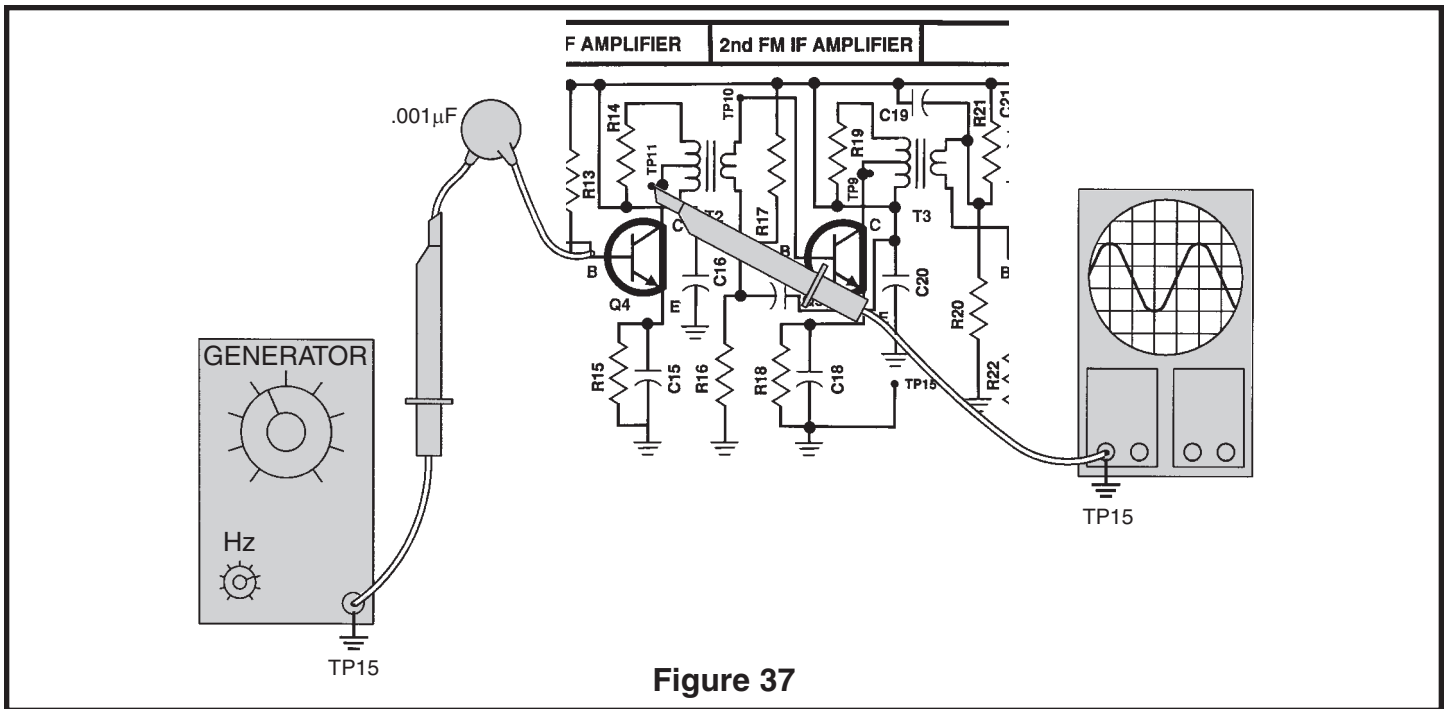


Figure 37

Connect the RF generator and oscilloscope and oscilloscope to the circuit as shown in Figure 37. The scope probe must have an input capacitance of 12pF or less otherwise the probe will detune T2 causing an incorrect measurement of AC gain. Set the generator at 10.7MHz no modulation and minimum voltage output. Set the scope to read 20mV per division and turn the power ON. Slowly increase the amplitude of the generator until 3 divisions or 60mVpp are seen on the scope. With an alignment tool or screwdriver, adjust T2 for a peak. Reduce the generator input to maintain 3 divisions on the scope. Move the scope probe to the base of Q4 and record the input voltage here:

$$V_b = \text{_____} \text{ mVpp.}$$

Turn the power OFF. The AC gain can be calculated as follows:

$$\text{AC Gain} = 60\text{mV} / V_b$$

Your calculated answer should be about 10.

Record your calculation:

$$\text{AC Gain} = \text{_____}$$

BANDWIDTH

Connect your test equipment as shown in Figure 37. Set your generator at 10.7MHz no modulation and minimum voltage output. Set the scope to read 20mV per division. Turn the power ON and slowly increase the amplitude of the generator until 60mVpp is seen on the scope. Increase the frequency of the generator until the voltage drops .707 of its original value, 2.1 divisions or 42mVpp.

Record the frequency of the high 3dB drop-off point here:

$$F_h = \text{_____} \text{ MHz.}$$

Decrease the frequency of the generator until the voltage drops to .707 of its original value, 2.1 divisions or 42mVpp. Record the frequency of the low 3dB drop-off point here:

$$F_l = \text{_____} \text{ MHz.}$$

The bandwidth of the first IF can be calculated as follows:

$$\text{Bandwidth} = F_h - F_l$$

Your calculated answer should be between 300 - 500kHz.

Record your calculation:

$$\text{Bandwidth} = \text{_____} \text{ kHz.}$$

SECTION 9

FM RF AMPLIFIER, MIXER, OSCILLATOR, AND AFC STAGE

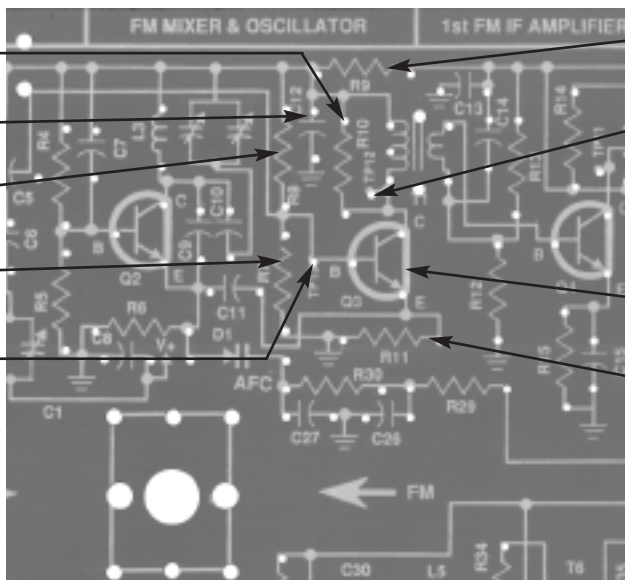
In a superheterodyne receiver, the radio waves are emitted and then mixed with the local oscillator to produce the intermediate frequency (IF). The first stage is the RF amplifier which selects a radio station and amplifies it. The second stage is the local oscillator which oscillates at a frequency 10.7MHz above the desired radio station frequency. The third stage is the mixer stage where the amplified radio waves are heterodyned with the local oscillator. During the mixing process, a difference frequency of 10.7MHz is produced. This difference frequency is used as the IF in FM radios. The collector of transistor Q3 contains an IF transformer (T1) which is tuned only to the difference frequency. This transformer rejects all frequencies except those near

10.7MHz. T1 also couples the 10.7MHz signal to the first FM IF amplifier. The RF amplifier and the oscillator are the only two resonant circuits that change when the radio is tuned for different stations. Since a radio station may exist 10.7MHz above the oscillator frequency, it is important that the RF stage rejects this station and selects only the station 10.7MHz below the oscillator frequency.

The frequency of the undesired station 10.7MHz above the oscillator is called the image frequency. Since this FM receiver has an RF amplifier, the image frequency is reduced significantly. The resistor R9 and capacitor C12 decouple the voltage of the tuner from the voltage of the IF stages.

MIXER ASSEMBLY INSTRUCTIONS

- R10 - 10kΩ Resistor (brown-black-orange-gold)
- C12 - .005μF Discap (502)
- R8 - 22kΩ Resistor (red-red-orange-gold)
- R7 - 6.8kΩ Resistor (blue-gray-red-gold)
- TP13 - Test Point Pin (see Figure A)



- R9 - 100Ω Resistor (brown-black-brown-gold)
- TP12 - Test Point Pin (see Figure A)
CAUTION: Test Point must not touch can of T1 FM Mixer Coil.
- Q3 - 2N3904 Transistor (see Figure C)
- R11 - 1.8kΩ Resistor (brown-gray-red-gold)

STATIC MEASUREMENTS

Q3 BIAS

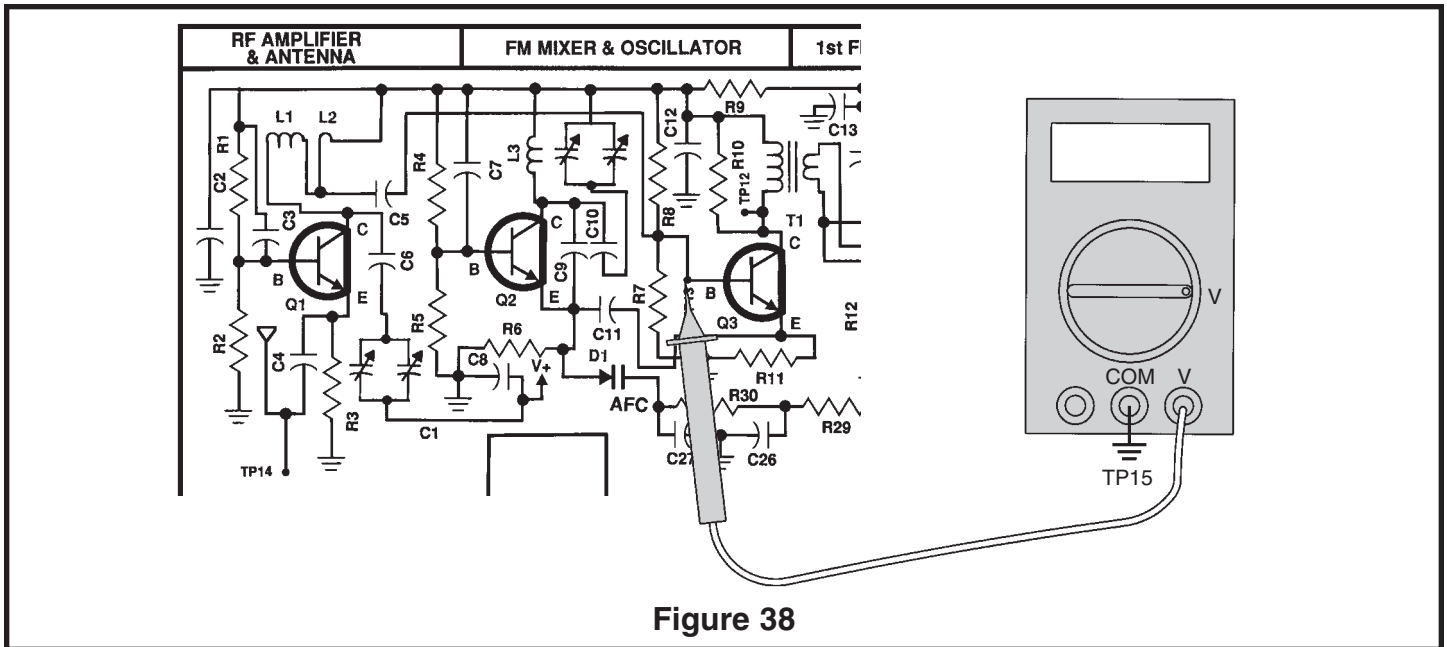


Figure 38

With the power turned OFF, connect your VOM to the circuit as shown in Figure 38. Set your VOM to read 9 volts DC and turn the power ON. The DC voltage at the base of Q3 should be approximately 1.8 volts. If your answer varies by more than 2 volts, turn the power OFF and check components R7, R8, R11 and Q3.

generator until 4 divisions or 40mVpp are seen on the scope. With an alignment tool or a screwdriver, adjust T1 for peak. Reduce the generator amplitude to maintain 4 divisions on the scope. Move the scope probe to the base of Q3 and record the input voltage here:

$$V_b = \text{_____} \text{ mVpp.}$$

If you don't have an RF generator and oscilloscope, skip to the FM Oscillator Assembly Procedure.

AC GAIN

The AC gain of the mixer is set by the impedance of the primary side of T1 and by the current flowing in Q3. The current in Q3 is set by the resistors R7, R8 and R11. Connect your test equipment to the circuit as shown in Figure 39. Your scope probe must have an input capacitance of 12pF or less, otherwise the probe will detune T1 resulting in an incorrect measurement. Set your scope to read 10mV per division. Set your RF generator at 10.7MHz no modulation minimum voltage output. Turn the power ON and slowly increase the amplitude of the

Turn the power OFF. The gain can be calculated as follows:

$$\text{AC Gain} = 40\text{mV} / V_b.$$

Your calculated answer should be about 3.

Record your calculation:

$$\text{AC Gain} = \text{_____}$$

Because the signal from the oscillator is injected at the emitter of Q3, the emitter resistor is not bypassed to ground. This is why the gain of the mixer is low compared to the other IF stages.

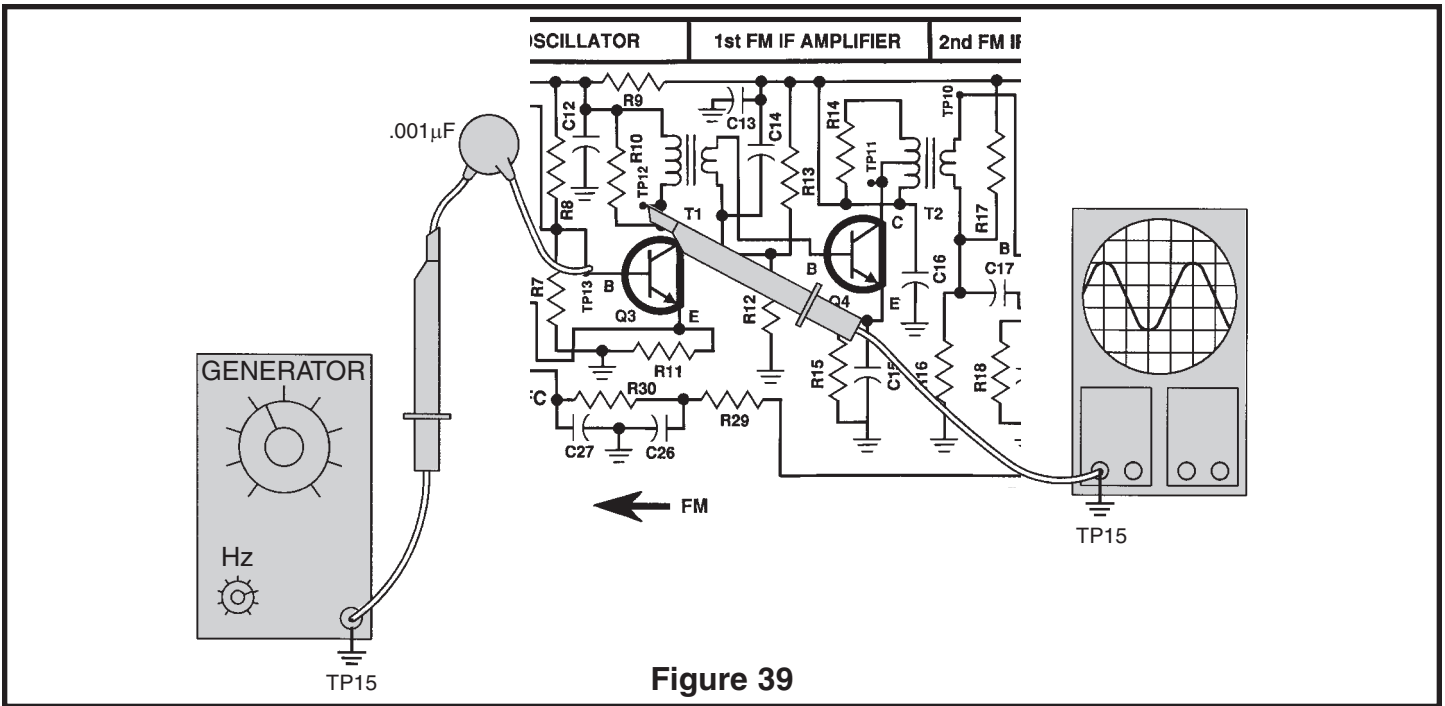


Figure 39

BANDWIDTH TEST

Connect your test equipment to the circuit as shown in Figure 39. Set your generator at 10.7MHz no modulation and minimum voltage output. Set the scope for 10mV per division. Turn the power ON and slowly increase the amplitude of the generator until 40mVpp are seen on the scope. Increase the frequency until the voltage drops .707 of its original value, 2.8 divisions or 28mVpp. Record the frequency of the generator until the voltage drops .707 of its original value, 2.8 divisions or 28mVpp. Record the frequency of the low 3dB drop-off point here:

Fl = _____ MHz.

Turn the power OFF. The bandwidth can be calculated as follows:

$$\text{Bandwidth} = F_h - F_l$$

Your calculated answer should be between 300 - 500kHz.

Record your calculation:

Bandwidth = _____ kHz.

FM OSCILLATOR ASSEMBLY INSTRUCTIONS

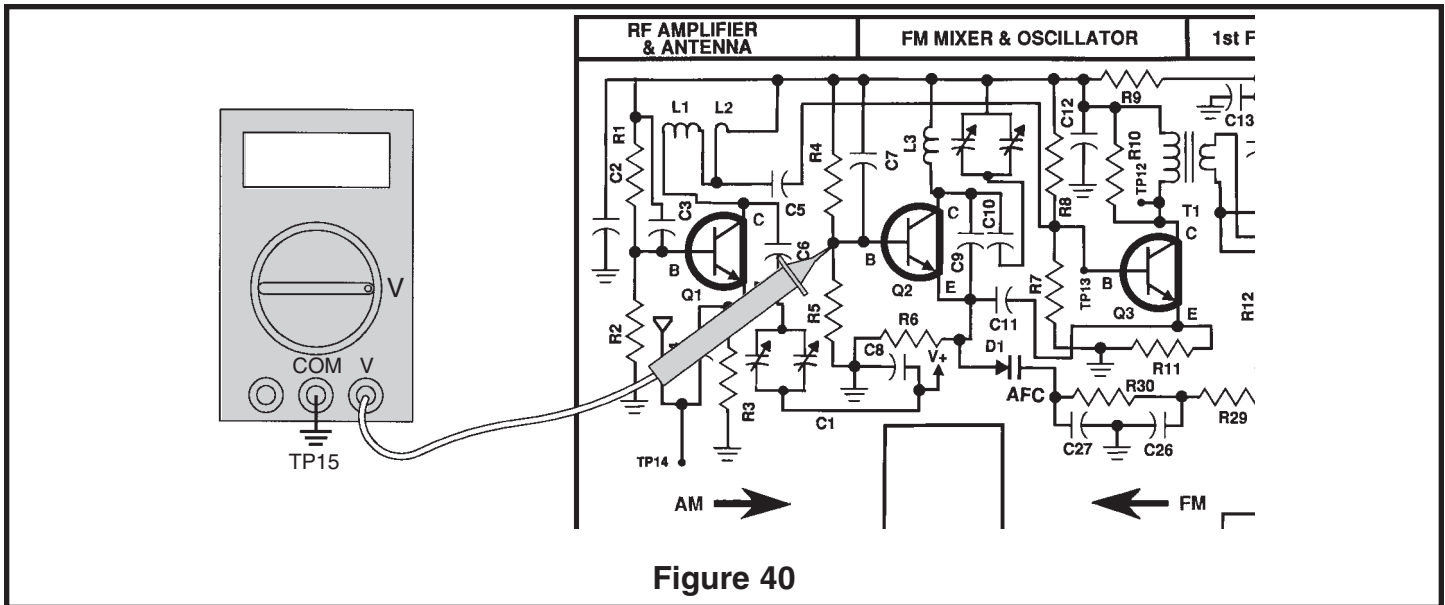
<input type="checkbox"/> C7 - .001µF Discap (102)		<input type="checkbox"/> L3 - FM Oscillator Coil (5 Turns)
<input type="checkbox"/> R4 - 33kΩ Resistor (orange-orange-gold)		<input type="checkbox"/> C9 - 15pF Discap (15)
<input type="checkbox"/> Q2 - 2N3904 Transistor (see Figure C)		<input type="checkbox"/> C10 - 30pF Discap (30)
<input type="checkbox"/> R5 - 33kΩ Resistor (orange-orange-gold)		<input type="checkbox"/> C11 - 220pF Discap (221)
<input type="checkbox"/> R6 - 2.2kΩ Resistor (red-red-red-gold)		
<input type="checkbox"/> C8 - .005µF Discap (502)		

STATIC MEASUREMENTS

Q2 BIAS

Connect your VOM to the circuit as shown in Figure 40. Set your VOM to read 9 volts and turn the power ON. The voltage at the base of Q2 should be about 4

volts. Turn the power OFF. If you do not get this measurement, check R4, R5 and Q2.

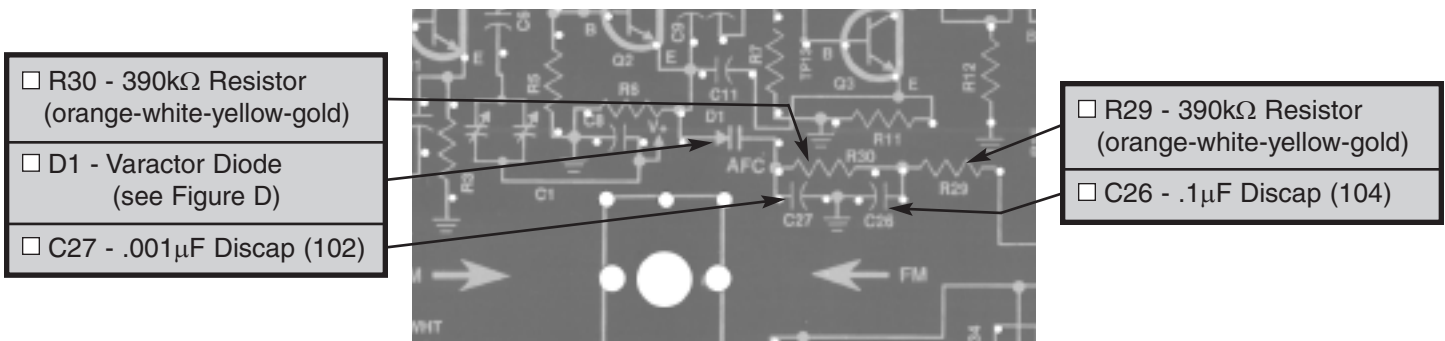


AFC

When a radio is tuned to a station, it would be desirable for the radio to “lock” in on the station. Due to changes in temperature, voltage and other effects, the local oscillator may change its frequency of oscillation. If this occurs, the center frequency of 10.7MHz will not be maintained. Automatic Frequency Control (AFC) is used to maintain the 10.7MHz center frequency. When the local oscillator drifts, the ratio detector will produce a DC “correction” voltage. The audio signal rides on this DC correction voltage. This signal is fed to a filter network which removes the audio so that a pure DC voltage is produced. This voltage is fed to a special

diode called a varactor. A varactor will change its internal capacitance when a voltage is applied. The ratio detector diodes are positioned in such a way that when the 10.7MHz center frequency increases, the DC correction voltage will decrease. Likewise, when the 10.7MHz center frequency decreases, the DC correction voltage will increase. This voltage change causes the capacitance of the varactor to change. The varactor is connected at the emitter of Q2, so any capacitance change in the varactor is seen at the emitter of the oscillator. A change in capacitance at the emitter of Q2 will change the frequency of oscillation of the local oscillator.

AFC ASSEMBLY INSTRUCTIONS



If you don't have an RF generator, skip to the RF Amplifier Assembly Procedure.

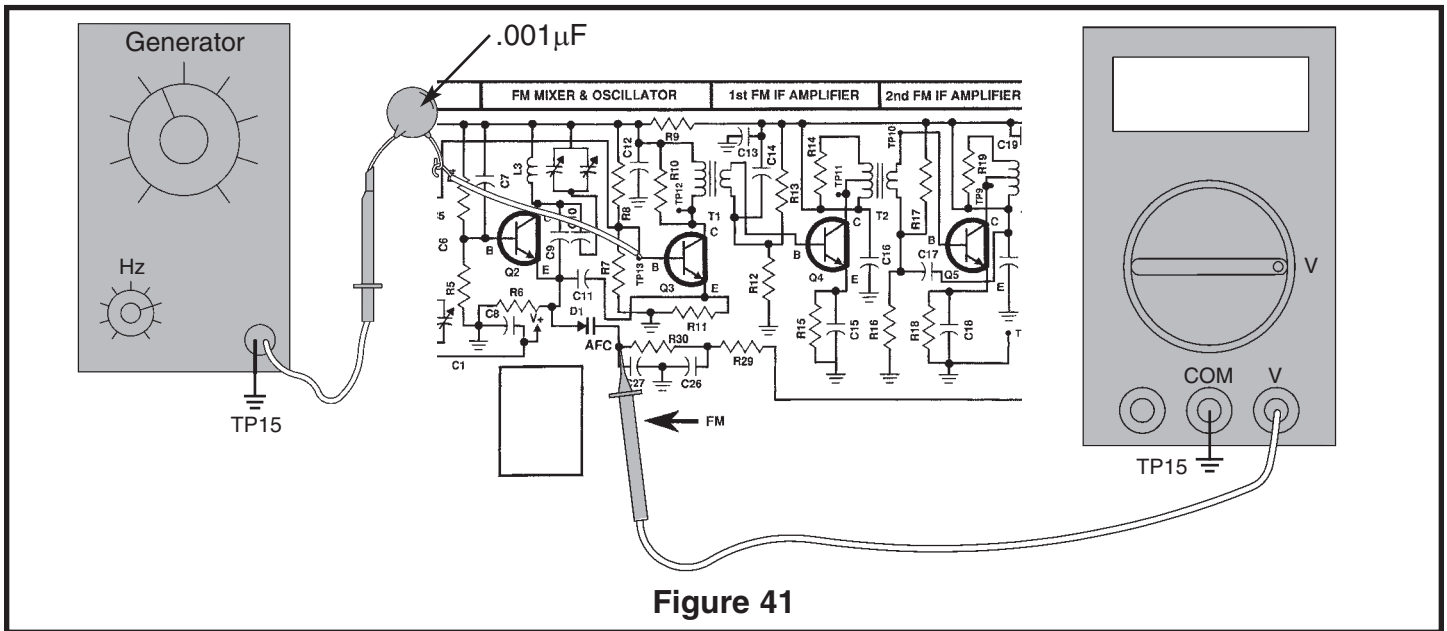


Figure 41

Connect the RF generator and VOM to the circuit as shown in Figure 41. Set your VOM to read 9 volts DC. Set your generator at 10.7MHz no modulation and moderate signal strength output. Turn the power ON. Record the voltage of D1 here:

V(D1) = _____.

While watching your VOM, slowly decrease the frequency of your generator. As the frequency decreases, the voltage at D1 should increase.

Increase the frequency of the generator until the voltage is equal to V(D1). While watching your VOM, increase the frequency of your generator. As the frequency increases, the voltage at D1 should decrease. This correction voltage is what keeps the oscillator from drifting. If the voltage at D1 still does not change at D1, check D1, R29, R30, C26 and C27. If these parts are inserted correctly and the voltage at D1 still doesn't change, then increase the amplitude of your generator and repeat the same steps again. Turn the power OFF.

RF AMPLIFIER ASSEMBLY INSTRUCTIONS

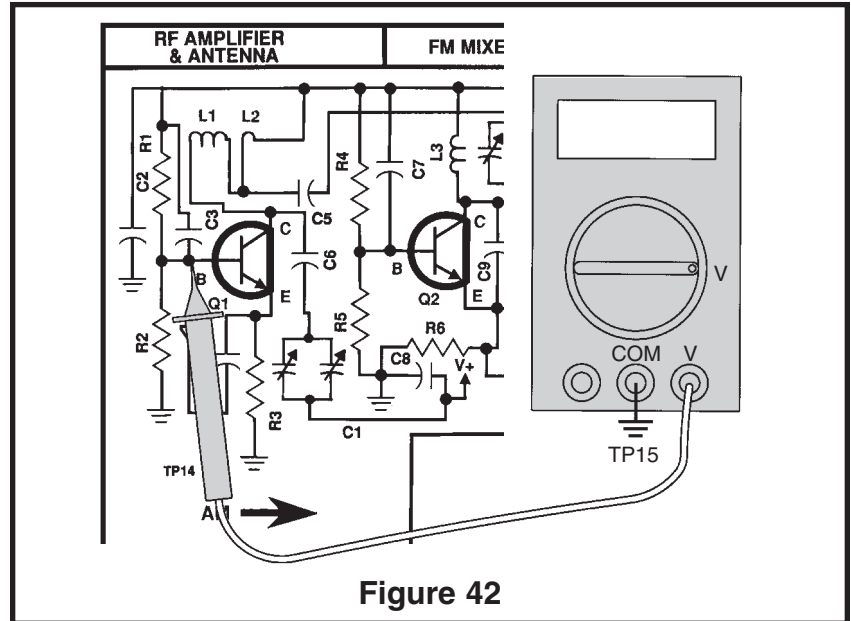
<input type="checkbox"/> R1 - 22kΩ Resistor (red-red-orange-gold)		<input type="checkbox"/> L1 - FM RF Amp Coil (6 Turns) see Figure N
<input type="checkbox"/> C3 - .001µF Discap (102)		<input type="checkbox"/> L2 - FM RF Amp Coil (2 Turns) see Figure N
<input type="checkbox"/> C2 - .005µF Discap (502)		<input type="checkbox"/> C5 - 470pF Discap (471)
<input type="checkbox"/> Q1 - 2N3904 Transistor (see Figure C)		<input type="checkbox"/> C6 - 33pF Discap (33)
<input type="checkbox"/> R2 - 6.8kΩ Resistor (blue-gray-red-gold)		<input type="checkbox"/> R3 - 470Ω Resistor (yellow-violet-brown-gold)
<input type="checkbox"/> C4 - 470pF Discap (471)		<input type="checkbox"/> TP14 - Test Point Pin (see Figure A)

Figure N

STATIC MEASUREMENTS

Q1 BIAS

Connect your VOM to the circuit as shown in Figure 42. Set your VOM to read 9 volts and turn the power ON. The voltage at the base of Q1 should be about 1.6 volts. If you do not get this reading, check R1, R2, R3 and Q1. Turn the power OFF.



ANTENNA FM ASSEMBLY

- Antenna FM
- 2 Antenna Screws M2
- 3.5" Wire #22 Insulated
(extra wire in AM Section)
(see Figure O)

Mount the antenna to the PC board with two screws as shown. **NOTE: Some antennas have only one threaded hole.**

Cut a 2 1/4" wire and strip 1/4" of insulation off of both ends of the remaining jumper wire. There are no holes for the wire in this location, so tack solder the wire to the pads as shown.

Threaded Holes

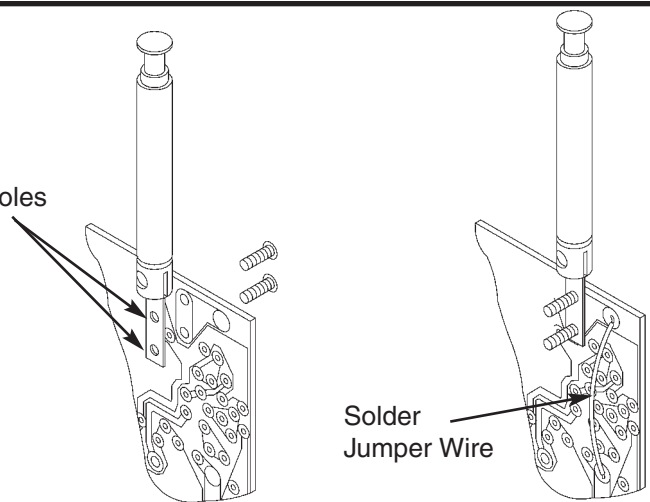


Figure O

FM FINAL ALIGNMENTS

There are two procedures for the final alignment steps. The first alignment procedure is for those who do not have test equipment and the second is for those who do have test equipment.

Your "magic wand" will be used to align the FM oscillator circuit and the FM RF amplifier. When the brass end of your "magic wand" is placed near the FM oscillator coil L3, the coil reacts as if inductance has been removed. Likewise, when the iron end of the "magic wand" is placed near the coil L3, it reacts as if inductance has been added. The same is true for the RF coils L1 and L2. When the inductance of

a resonant circuit is changed, the resonant frequency is changed also.

When aligning the oscillator, changing the resonant frequency changes the frequency of oscillation. Likewise, when aligning the RF amp, changing the resonant frequency at which it was selective.

When aligning the oscillator and RF circuits, coils L1 and L3 will be adjusted at the lower end of the band, while the oscillator and RF trimmer capacitors are adjusted at the higher end of the band. This is done so that the RF amp tracks the oscillator properly.

ALIGNMENT WITH NO TEST EQUIPMENT

With an alignment tool or screwdriver turn coils T1, T2 and T3 fully counter-clockwise. DO NOT FORCE

THE COILS ANY FURTHER. Turn each coil in about 1 1/4 to 1 1/2 turns.

IF ALIGNMENT

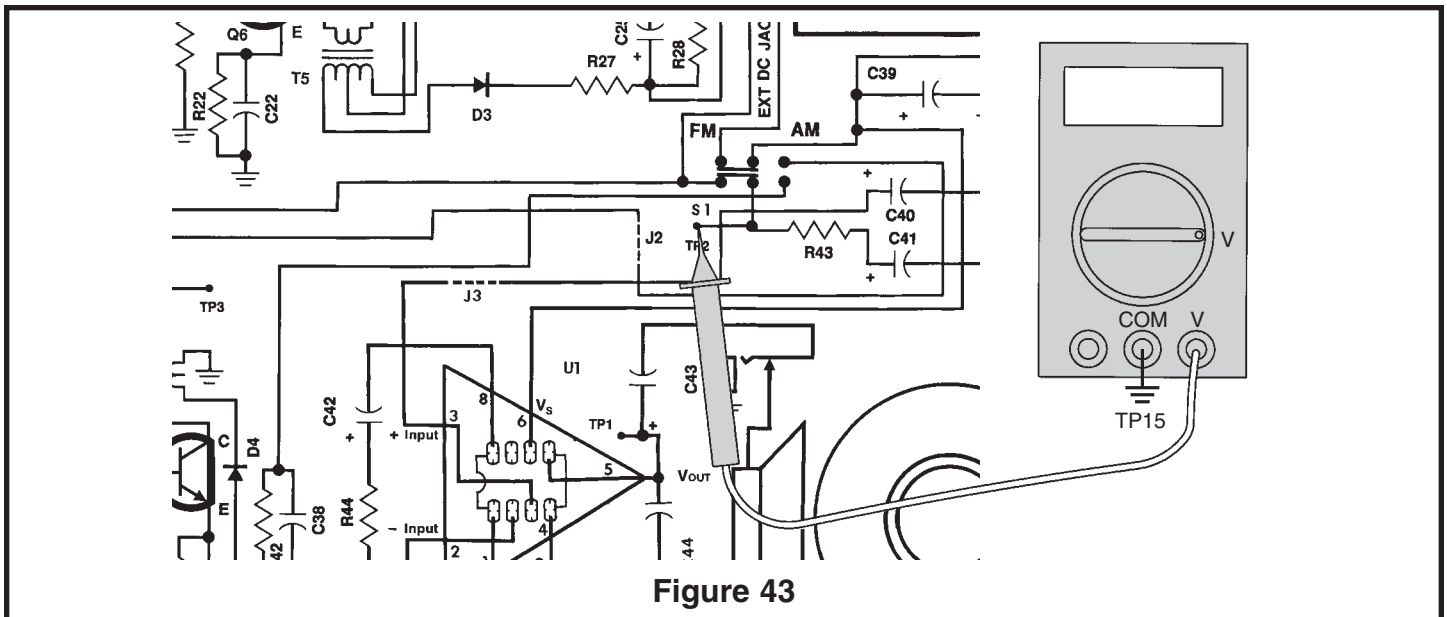


Figure 43

With an alignment tool or screwdriver turn coils T1, T2 and T3 fully counter-clockwise. DO NOT FORCE THE COILS ANY FURTHER. Turn each coil in about 1 1/4 to 1 1/2 turns.

Use the earphone provided for best results. Switch to the FM position. Connect your VOM to the circuit as shown in Figure 43. Turn the radio ON and tune the radio to a weak station. It is best to keep the volume at a low level. Adjust T1 for the minimum voltage on your VOM. Reduce the volume if necessary. Adjust T2 for minimum voltage on your VOM and reduce the volume control if necessary. Adjust T3 for minimum voltage on your VOM and reduce the volume control if necessary. As you adjust the coils you should hear less distortion and noise. Repeat this procedure until the FM IF gain is optimized. This process peaked the FM IF amplifier to their maximum gain.

DETECTOR ALIGNMENT

Adjust T4 for minimum voltage on your VOM. Adjust T5 for minimum distortion. Repeat these 2 steps until the ratio detector alignment is optimized.

OSCILLATOR ALIGNMENT

Tune the radio to a known station around 90MHz. Once a station is found and its broadcast frequency is known, rotate the dial until the white pointer is aligned with that stations frequency on the dial. Using the "magic wand", place the brass end near coil L3. Refer to Figure 44.

If the station is heard, this means that L3 needs less inductance. Carefully pull apart L3 until the station is heard. Place the iron end near L3. If the station is heard, this means that L3 needs more inductance. Carefully press together L3 until the station is heard. Pulling apart or pressing together L3 just a small amount will have a great effect on the coils resonant frequency. Repeat this step until the pointer is aligned to the station's frequency. Tune the radio to a station around 106MHz. Once a station is found and its broadcast frequency is known, rotate the dial until the white pointer is aligned with that station's frequency on the dial. Place the brass end of the "magic wand" near L3. If the station is heard, it means that L3 needs more capacitance. Carefully adjust the FM oscillator trimmer (as shown in Figure L, page 23), on the back of the gang until the station

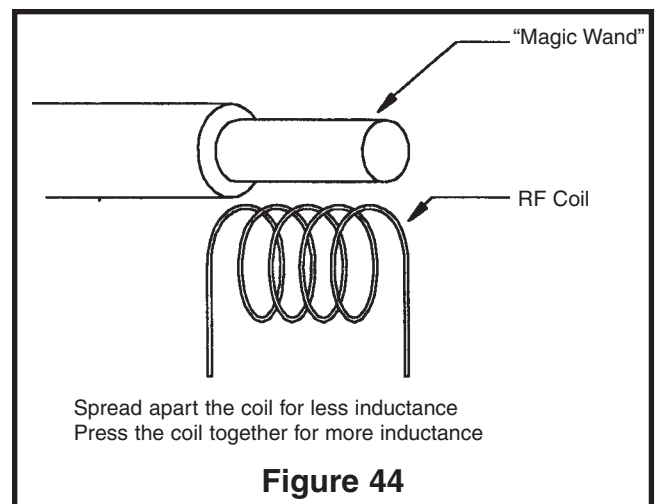


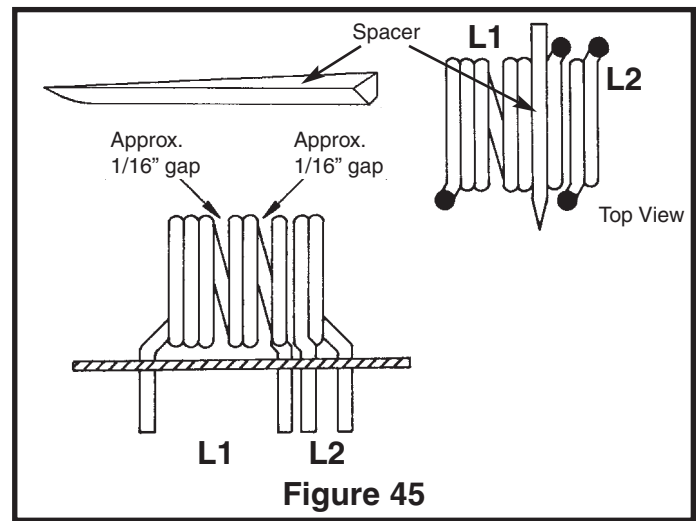
Figure 44

is heard. Place the iron end of the “magic wand” near L3. If the station is heard, it means that L3 needs less capacitance. Carefully adjust the FM oscillator trimmer located on the back of the gang until the station is heard. Repeat this step until the pointer is aligned to the station’s frequency. Adjusting both the oscillator coil L3 and the oscillator trimmer capacitor will effect the oscillator’s frequency, so it is advisable to repeat this procedure until the FM oscillator alignment is optimized. This process sets the FM oscillator range at 98.7MHz to 118.7MHz.

RF ALIGNMENT

Press together L1 and L2. Spread apart coil L1 so that it resembles Figure 45. The gaps or spaces should be between 1/32” and 1/16” wide. This procedure sets the tracking of the RF section. Use the special coil spacer provided to gap the coil as shown. Carefully slide the coil spacer between the coils to get the spacing shown in Figure 45.

This concludes the alignment of the FM radio section. If no stations are heard, verify that FM signals are present in your location by listening to another FM radio placed near the superhet 108. If the FM section is still not receiving go back and check each stage for incorrect values and for poor soldering.

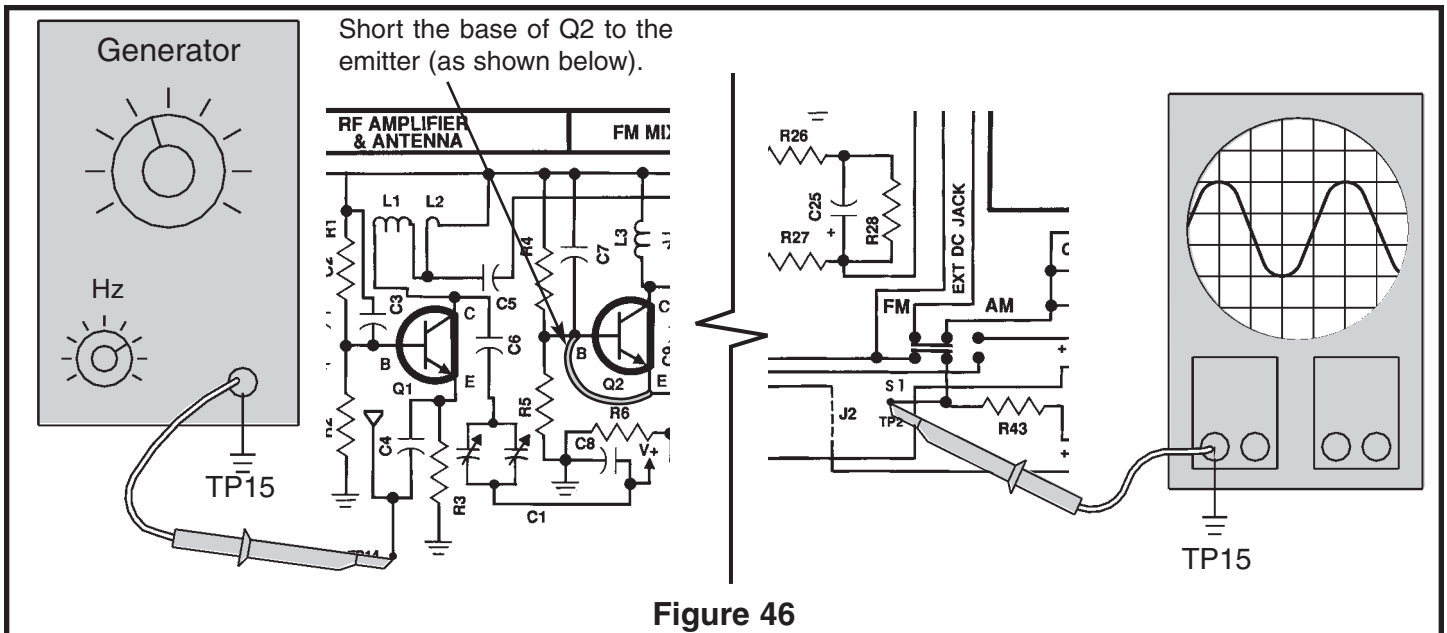


ALIGNMENT WITH RF GENERATOR AND OSCILLOSCOPE

IF ALIGNMENT

Switch to the FM section. Connect your RF generator and oscilloscope to the circuit as shown in Figure 46. Set your RF generator at 10.7MHz modulated at 1kHz deviation with minimum voltage

output. Set the scope to read 50mV per division. With a clip lead, short the base emitter junction of Q2. This short “kills” the local oscillator.



Turn the power ON. Slowly increase the amplitude of the generator until a 1kHz signal is seen on the scope. Keep the generator at a low level of output to prevent the IF sections from limiting. With an alignment tool or screwdriver, adjust T1 for a peak on

the scope. Reduce the amplitude of the input signal if necessary. Adjust T2 for a peak and reduce the amplitude of the input signal if necessary. Repeat these steps until the IF alignment is optimized. This procedure aligns the FM IF amplifiers to 10.7MHz.

OSCILLATOR ALIGNMENT

Remove the clip lead and set your generator at 88MHz modulator at 1kHz, 22.5kHz deviation and minimum voltage output. Tune the radio until a 1kHz signal is seen on the scope. It may be necessary to increase the amplitude of the generator. Rotate the dial until the white pointer is aligned to 88MHz. Using the “magic wand” place the brass end near L3 as shown in Figure 44. If the signal seen on the scope increases, this means L3 needs less inductance. To remove inductance, carefully spread apart coil L3. Pulling apart or pressing together coil L3, a small amount will have a great effect on the coil’s resonant frequency. Place the iron end of the “magic wand” near L3. If the signal seen on the scope increases, it means L3 needs more inductance. To add inductance carefully press together coil L3. Repeat these steps until the signal decreases for both ends of the “magic wand”. Increase the frequency of your generator to 108MHz. Tune the radio until a 1kHz signal is seen on the scope. Rotate the dial until the white pointer is aligned to 108MHz. Place the brass end of your “magic wand” near L3. If the signal on the scope increases, it means that L3 needs more capacitance. Adjust the FM oscillator trimmer on the gang (as shown in Figure L on page 23) until the 1kHz signal is at a peak. Place the iron end of the “magic wand” near L3. If the signal increases, it means that coil L3 needs less capacitance. Adjust the FM oscillator trimmer on the gang until the 1kHz signal is at a peak. Repeat these 2 steps until the signal decreases for both ends of the “magic wand”. Since adjusting both the oscillator coil L3 and the oscillator trimmer will effect the frequency of oscillation, it is advisable to repeat this procedure until the oscillator alignment is optimized. This process sets the FM oscillator range at 98.7MHz to 118.7MHz.

RF ALIGNMENT

Set your generator at a frequency around 90MHz modulated at 1kHz, 22.5kHz deviation and minimum voltage out. Tune your radio until a 1kHz tone is heard. Place the brass end of your “magic wand” near RF coil L1. If the signal on the scope increases, it means that coil L1 needs less inductance. Carefully spread apart the coil L1 to reduce its inductance. Place the iron end of the wand near L1. If the signal increases, it means that coil L1 needs more inductance. Carefully press together the coil L1 to increase its inductance. Repeat these steps until the signal on the scope decreases for both ends of the “magic wand”. Increase your generator to a frequency near 106MHz. Tune your radio until a 1kHz tone is heard. Place the brass end of your “magic wand” near L1. If the signal increases, it means that the coil L1 needs more capacitance. With an alignment tool or screwdriver, adjust the FM antenna trimmer (see Figure L on page 23). If the signal increases, this means coil L1 needs less capacitance. Carefully adjust the FM antenna trimmer until a peak is seen on the scope. Repeat these steps until the signal on the scope decreases for both ends of the “magic wand”. Since adjusting both the RF coil L1 and the antenna trimmer will effect the gain of th RF stage, it is advisable to repeat this procedure until the RF amplifier alignment is optimized. This process sets the RF stage to “track” the FM oscillator stage.

This concludes the alignment of the FM radio section. If no stations are heard, verify that FM signals are present in your location by listening to another FM radio near the Superhet 108. If the FM section is still not receiving, go back and check each stage for incorrect values and for poor soldering.

FM RADIO HIGHLIGHTS

1. The FM broadcast band covers the frequency range from 88MHz to 108MHz.
2. FM signals are usually limited to line a sight.
3. Audio signals up to 15kHz are transmitted on the FM carrier.
4. The amount that the RF carrier changes frequency is determined by the amplitude of the modulating signal.
5. The number of times the carrier frequency changes in a period of time is exactly equal to the audio frequency.
6. The change in frequency is called the deviation and is limited to 75kHz for monaural FM.
7. The bandwidth assigned for FM is 200kHz.

DC VOLTAGES

The voltage readings below should be used in troubleshooting the FM section. (Switch at FM position.)

Q1	B	1.6	Q4	B	1.3
	E	.9		E	.7
	C	7.0		C	7.5
Q2	B	3.3	Q5	B	1.3
	E	3.0		E	.6
	C	7.1		C	7.5
Q3	B	1.6	Q6	B	1.2
	E	1.3		E	.6
	C	7.0		C	6.6

Test Conditions

1. Volume set to minimum.
2. Connect TP14 to TP15 with a jumper wire.
3. Battery voltage = 9V
4. All voltages are referenced to circuit common.
5. Voltage readings can vary $\pm 10\%$

SPECIFICATIONS

Audio:

Frequency response 3dB drop into 8 ohm resistive load.

Low end 800Hz - high end 120kHz

Maximum power out at 10% total harmonic distortion.

500 MilliWatts

Typical audio gain at 1000Hz: 150 times

Typical % distortion at 100 milliwatts output <2%.

AM Radio Specifications:

Tuning range - 520kHz to 1620kHz

IF frequency 455kHz

Tracking = ± 3 dB from 700kHz to 1400kHz

10dB signal to noise at 200 microvolts typical

FM Radio Specifications:

Tuning range = 88MHz to 108MHz

IF frequency 10.7MHz

Tracking ± 5 dB from 90MHz to 106MHz

10dB signal to noise at 12 microvolts typical

Uses ratio detector and full time auto frequency control.

QUIZ - FM SECTION

INSTRUCTIONS: Complete the following examination, check your answers carefully.

1. The FM broadcast band is . . .
 - A) 550 - 1,600kHz.
 - B) 10.7MHz.
 - C) 88 - 108MHz.
 - D) 98.7 - 118.7MHz.
2. The maximum audio frequency used for FM is ...
 - A) 7.5kHz.
 - B) 15kHz.
 - C) 20kHz.
 - D) 10.7MHz.
3. The frequency of the modulating signal determines the . . .
 - A) number of times the frequency of the carrier changes per second.
 - B) maximum deviation of the FM carrier.
 - C) maximum frequency swing of the FM carrier.
 - D) amount of amplitude change of the FM carrier.
4. The AFC circuit is used to ...
 - A) automatically hold the local oscillator on frequency.
 - B) maintain constant gain in the receiver to prevent such things as fading.
 - C) prevent amplitude variations of the FM carrier.
 - D) automatically control the audio frequencies in the receiver.
5. The ratio detector transformer is tuned to ...
 - A) 10.7MHz.
 - B) 88MHz.
 - C) 455kHz.
 - D) 10.9MHz.
6. The ratio detector is used because ...
 - A) it is sensitive to noise.
 - B) it is insensitive to noise.
 - C) it provides amplification.
 - D) it doesn't need a filter.
7. The device most often used for changing the local oscillator frequency with the AFC voltage is a ...
 - A) feedthrough capacitor.
 - B) variable inductor.
 - C) varactor.
 - D) trimmer capacitor.
8. The capacitance of a varactor is determined by ...
 - A) the voltage level.
 - B) the amount of current in the circuit.
 - C) the signal strength of the RF carrier.
 - D) the amount of resistance in the circuit.
9. Limiting in FM receivers is the process of ...
 - A) removing interfering FM stations.
 - B) providing greater station selectivity.
 - C) separating the FM stations from the AM stations.
 - D) removing noise from the FM carrier.
10. A detector circuit that does not require a limiter is a ...
 - A) slope detector.
 - B) ratio detector.
 - C) Travis detector.
 - D) Foster-Seeley detector.

Answers: 1. C, 2. B, 3. A, 4. A, 5. A, 6. B, 7. C, 8. A, 9. D, 10. B

AM/FM-108 Radio Baffle

NOTICE: Keep the box the kit came in. After you have completed the radio and it operates satisfactorily, you may want to install a baffle to improve the sound.

The final step in the radio kit will be to assemble and attach a baffle to the speaker. You will need to remove the baffle located in the bottom of the box. If it does not want to come out easily, use a knife to cut the holding tabs.

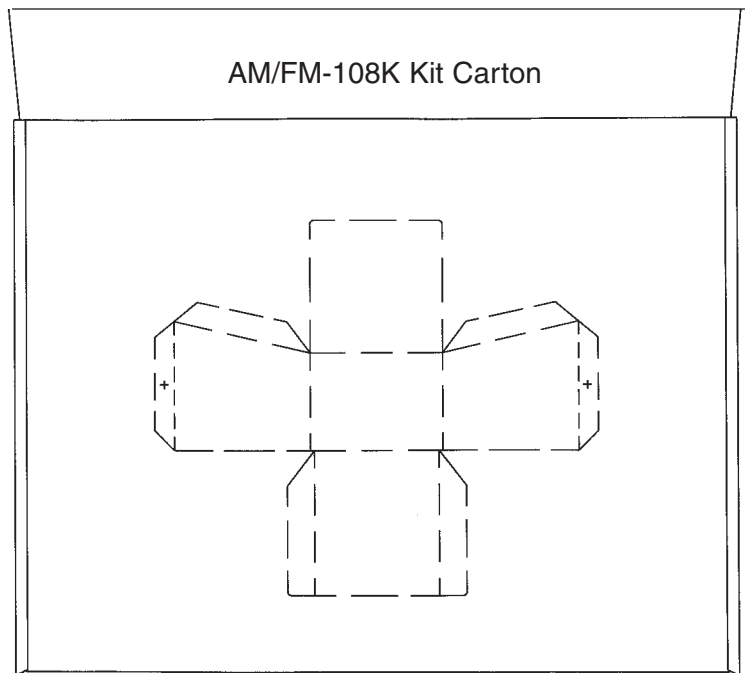
When a speaker is not enclosed, sound waves can travel in all directions. As a speaker moves outward,

it creates positive pressure on the air in front of it and negative pressure on the rear. At low frequencies, out of phase front and rear waves mix causing partial or total cancellation of the sound wave. The end result is a speaker less efficient and distorted.

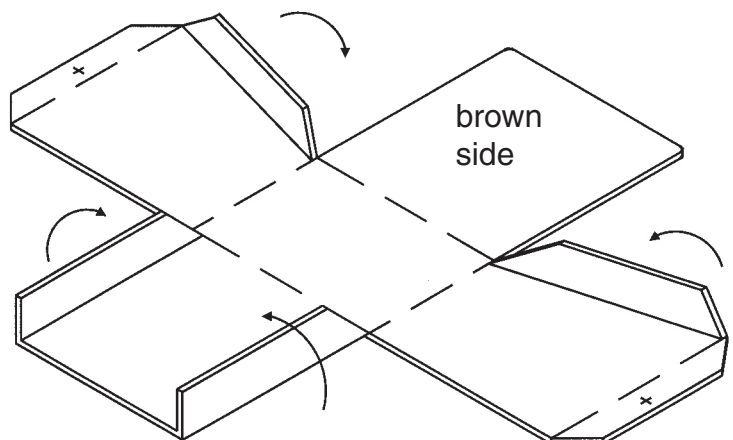
To eliminate the low frequency cancellation, a speaker is placed inside an enclosure. Now the front sound wave are prevented from traveling to the back. The speaker will now compress and decompress air inside, increasing its resonant frequency and Q relative to the free air values. This type of effectively air-tight box is called an Acoustic Suspension.

- | |
|---|
| <input type="checkbox"/> 2 Screws 2-56 x 1/4" |
| <input type="checkbox"/> 2 Nuts 2-56 |
| <input type="checkbox"/> Baffle |

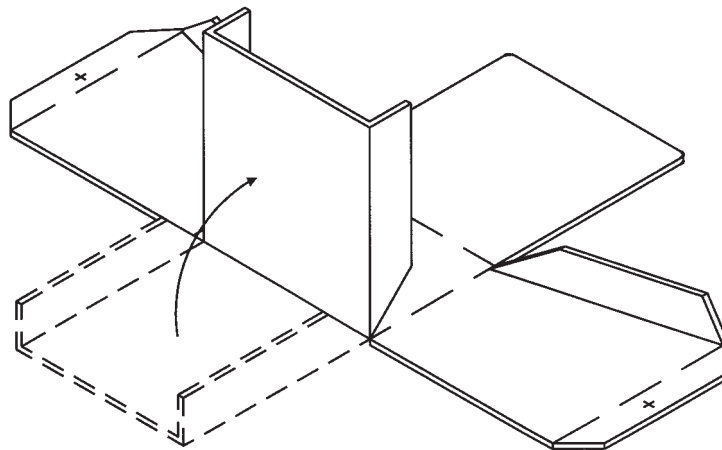
1. Start at one edge and carefully remove the baffle from the bottom the kit box.



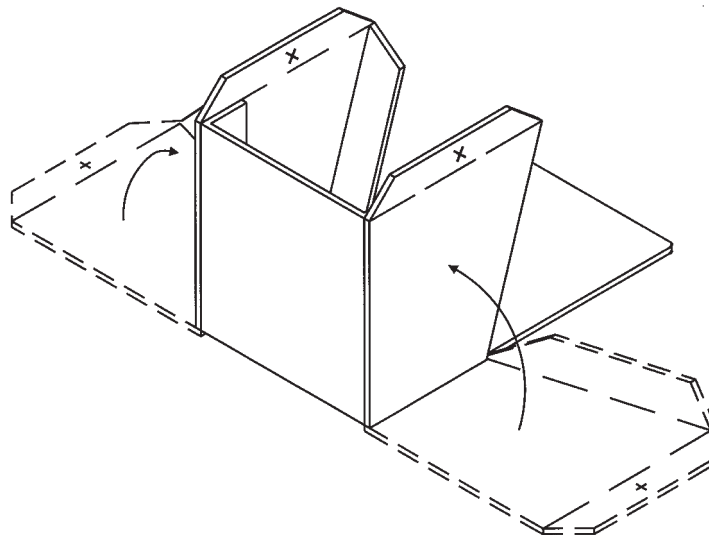
2. Bend the four flaps upward as shown.



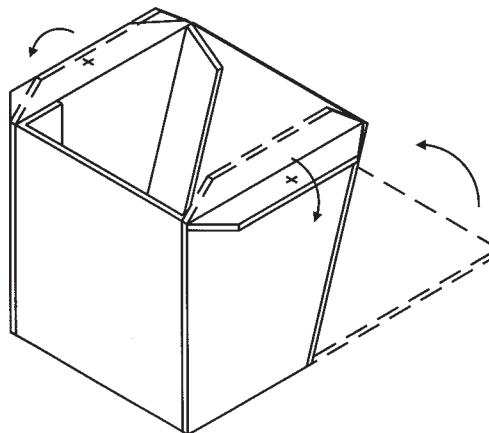
3. Bend the top side upward as shown.



4. Bend the two sides upward. Attach the three sides using scotch tape or glue (Elmer's, Duco Cement, or other).

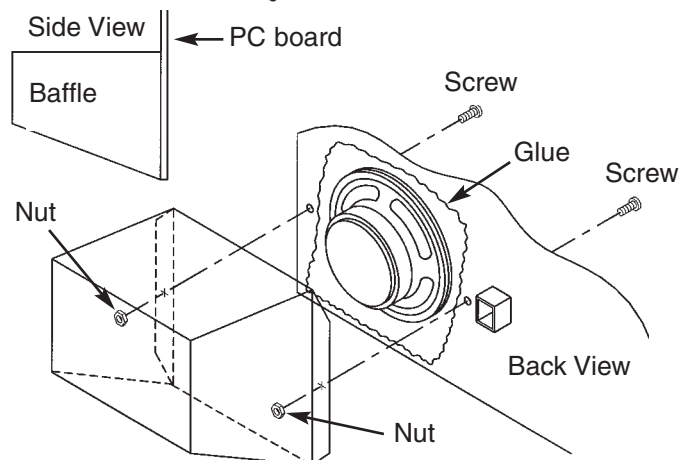


5. Bend the bottom side upward and attach it to the other sides using scotch tape or glue. Bend the two mounting flaps down.



6. Place the baffle over the speaker. Align the mounting holes and attach it using the two screws and two nuts supplied. The screws should go through the X mark on the baffle flap.

Optional: To make an air tight seal, place a bead of glue between the PC board and the baffle edges.



SCHEMATIC DIAGRAM - AM/FM RADIO

