

DIGITAL / ANALOG TRAINER

MODEL XK-700

A COMPLETE MINI-LAB FOR BUILDING, TESTING
AND PROTOTYPING ANALOG AND DIGITAL CIRCUITS



Tools and meter not included.

Instruction Manual
For Trainer with Organizer Case

Elenco™ Electronics, Inc.

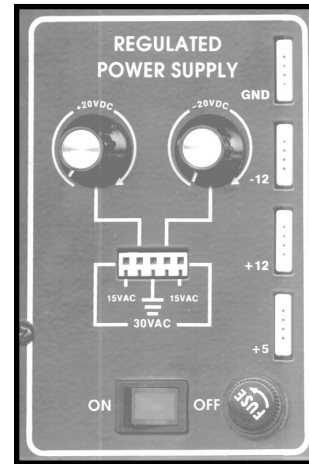
INTRODUCTION

Congratulations on your purchase of the Elenco Model XK-700 Digital / Analog Trainer. This trainer is designed to simplify designing of digital and analog circuits. It contains most of the necessary test equipment needed to build and test these circuits.

Your XK-700 has four basic trainers in a single package. They are, 5 independent power supplies, an analog trainer, a digital and a breadblock assembly trainer. We shall proceed in describing each trainer in the following sections.

POWER SUPPLY

Model XK-700 has five built-in power supplies which will satisfy most design needs. This includes two variable power supplies giving up to +20 volts and -20 volts at .5 amp. Below 15V the current available is over 1 amp. Three fixed power supplies give you +12VDC, -12VDC or +5VDC at 1 amp each. These fixed voltages are the most commonly used voltages for design work. All supplies are regulated to within 150mV. This means that you can increase the current draw from no load to .5 amp and the voltage will change less than 150 millivolts. All supplies are also short circuit protected by using integrated circuit regulator devices.



ANALOG TRAINER SECTION FUNCTION GENERATOR

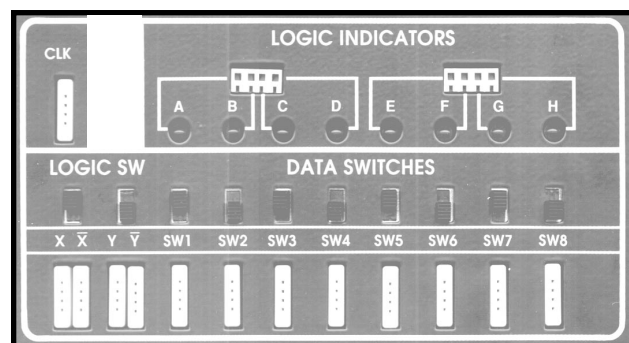
The analog trainer contains a complete function generator capable of producing sine, square and triangle waveform. The frequency of this generator is continuously variable from one hertz to over

100,000 hertz in five steps. A fine tuning control makes selection of any frequency easy. The output voltage amplitude is variable between 0 to 15Vpp. The output impedance is approximately 330 ohms.

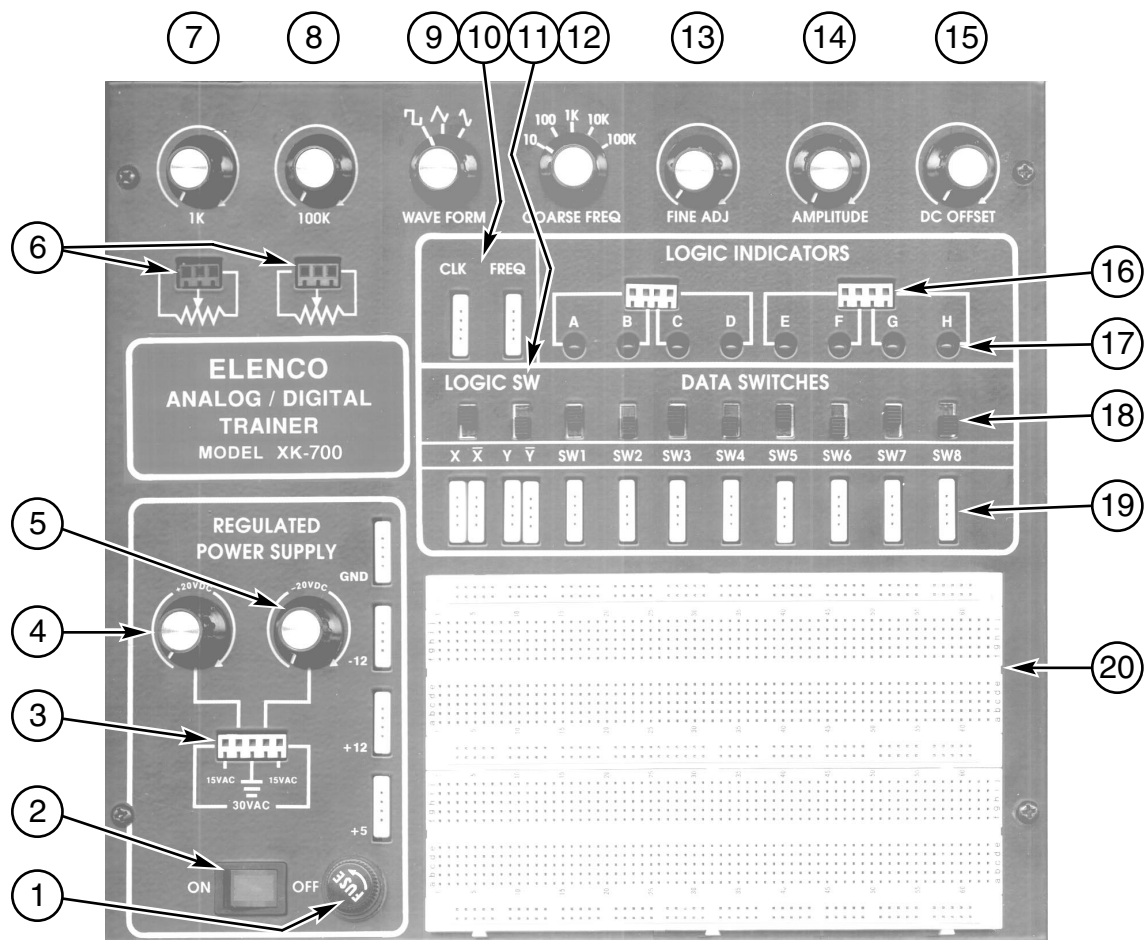


DIGITAL TRAINER SECTION

The digital trainer has the necessary functions to do your digital designs. They consist of a clock generator, two no bounce logic switches, 8 LED indicator lamps and 8 data switches. These functions will make it easy to do your digital experiments.



USERS DESCRIPTION OF FRONT PANEL CONTROL



- 1) **Fuse holder** - Easy access for replacement of 1.25A 250V fuse.
- 2) **On-Off switch** - Allows power to be applied to all outputs. Switch will light when on.
- 3) **Power output terminals** - This provides 30VAC center tapped at 15VAC - also provides output terminal for positive and negative variable voltages.
- 4) **Variable positive voltage control** - Varies positive voltage from 0 to 20V at indicated output terminal.
- 5) **Variable negative voltage control** - Varies negative voltage from 0 to -20V at indicated output connector pin.
- 6) **Output terminals for 1kΩ and 100kΩ undedicated potentiometers.**
- 7) 1kΩ undedicated potentiometer.
- 8) 100kΩ undedicated potentiometer.
- 9) **Waveform selection control**, square, triangle or sine generator waveforms.
- 10) **Output terminals for all functions as stated, 4 pins per block.**
- 11) **Two logic switches** - These are no bounce logic switches. Give one signal state change per movement of switch.
- 12) Selects five ranges of frequencies from 10 to 100,000 hertz.
- 13) **Fine frequency control** - allows easy selection of desired function generator frequency.
- 14) **Amplitude control** - Controls the function generation output amplitude , 0-15Vpp.
- 15) **DC offset control** - controls the DC level of the generator output. DC may be varied ± 10 volts from zero level.
- 16) **Input points for logic indicator LEDs.** "A" input corresponds with A lamp, etc.
- 17) **Logic indicators LEDs**, total eight.
- 18) **Eight data switches** - Lets output of 5V or 0V depending on position.
- 19) **Output terminals for all functions as stated, 4 pins per block.**
- 20) **Two breadboards** containing a total of 1,660 tie points including 6 independent bus lines.

GENERAL SPECIFICATIONS FOR MODEL XK-700

Power Supplies:

- 0V to 20VDC @ .5 amp (0V to 15V @ 1 amp)
- 0V to -20VDC @ .5 amp (0V to -15V @ 1 amp)
- +12V \pm 5% @ 1 amp
- -12V \pm 5% @ 1 amp
- +5V \pm 5% @ 1 amp
- 30V AC center tapped at 15VAC @ 1 amp.
- Load regulation all DC supplies less than .2V no load to .5A
- Line regulation all DC supplies less than .2V 105 to 135V
- Hum and ripple all DC supplies less than .01V rms
- Short protection all DC supplies-Internal IC thermal cutoff
- Fuse - 1.25A 250V

Function Generator Analog Section:

- Waveforms sine, square, triangle, complimentary square
- Frequency - 1Hz to 100kHz in 5 steps continuously variable
- Fine frequency adjust - 10:1 approximate
- Amplitude variable 0-15Vpp
- Output impedance 330 Ω : short protected
- DC offset change \pm 10V from zero crossing

Digital Section:

- Data switches, eight DPDT, Hi 5V, low 0V
- Logic switches, two no bounce with complimentary output
“On” voltage level 2.8V min., “Off” voltage level 1V max.
Input impedance 100k Ω .
- Eight LED readouts, 100k Ω input impedance
- Clock frequency, 1Hz to 100kHz in 5 steps continuously variable
- Clock amplitude, 5Vpp squarewave
- Clock rise time, better than 100nsec.

Breadboards Section:

- Two breadboards containing 830 tie points each (total 1,660 pins)
- 6 independent power bus lines for common connections

Variable Resistance (undedicated):

- 1k Ω Potentiometer
- 100k Ω Potentiometer

TESTING THE XK-700 DIGITAL ANALOG TRAINER

The following paragraphs give detailed instructions on testing the digital / analog trainer.

Note that in the XK-700 trainer there are five major functions, (1) Power Supply (2) Logic Indicators (3) Function Generator (4) Logic Switches and (5) Data Switches. We shall proceed in testing out each section. If any test fails, refer to the schematic diagram and check the wiring and soldering of the section involved.

POWER SUPPLY TESTING

Plug the trainer into a 120VAC outlet and switch to the "ON" position (the power switch should light). With a digital voltmeter, measure the voltage outputs at the power blocks. The +12V should measure between 11.4 and 12.6 volts. The 5V supply should read between 4.75 and 5.25 volts. The -12V supply should read between -11.4 and 12.6 volts.

Do not short the 15VAC output to ground.

Short the +12V, -12V and +5V supply to ground. They should turn off and recover when the short is removed. If you have a 25 Ω 10 watt resistor, place it across the output terminal (2 watt resistor will work, but use it only for a few seconds). The output of the 12V supply should not change more than 0.20 volts. Do the same on the 5V supply using a 10 Ω 5 watt resistor. Again, the output should not change more than 0.20 volts. In making this test, the voltmeter leads should be clipped to the terminal directly and no to the load leads. This is to prevent errors due to voltage drop from contact resistance of the load.

Check the variable voltage supplies in the same manner. Set the output voltage between 10-15 volts. Place the 25 Ω 10 watt resistor across the output terminal. The voltage should stay within 0.20 volts of the no load voltage.

TESTING THE FUNCTION GENERATOR

To test the function generator, you will need an oscilloscope. Connect the scope to the terminal marked FREQ., and the ground clip to the terminal marked GND. Adjust the waveform switch to sine, the coarse frequency switch to 1k and the amplitude control to maximum. Your scope should show a sine wave with an output of about 15Vpp. If the sinewave is clipped on top or bottom, adjust the DC offset control for the most linear reading. Turn the FINE ADJ control and the frequency should vary between 100 and 1000 hertz. Check the other coarse frequency positions.

Now, check the CLK output terminal. You should see a square wave of about 5Vpp. If the scope is a dual trace, connect one input to the CLK and the other FREQ terminal. Set the waveform switch to squarewave. You will note the two frequencies are 180 $^\circ$ out of phase. If no scope is available, connect a wire to the CLK terminal and input to "A" of the logic indicators. Connect another wire to the FREQ terminal and input "B". Set the coarse frequency switch to 10 hertz and the fine freq control to minimum position. The two LEDs should blink alternately.

TESTING THE LOGIC INDICATOR FUNCTION

There are eight logic indicators which you will be checking out. Place a wire to the 5V power supply and touch the "A" logic indicator test pin. The "A" LED should light up. Remove the wire and the LED should go out. Do the same for the B, C, D, E, F, G and H test pins.

TESTING THE LOGIC SWITCHES

There are two logic switches and four conditions to be checked out. Connect a wire from the “ \bar{X} ” test pin to the “A” logic indicator test pin. Connect another from the “X” test pin to the “B” test pin.

Apply power and note that the “A” LED indicator should be lit when the logic switch is in the “X” positions and the “B” LED is not lit. Moving the logic switch to “ \bar{X} ” should reverse the indicator LEDs, that is, the “B” LED should light and the “A” LED not light. Check the Y logic switch in the same manner.

TESTING THE DATA SWITCHES

There are eight data switches to be checked. The output of the switches are at 5V or ground depending on position. Connect a wire to SW1 terminal and the “A” test pin, the “A” LED should light when the switch is placed toward the top case. Repeat the same test on SW2, SW3, SW4, SW5, SW6, SW7 and SW8.

This completes the testing of the trainer.

CIRCUIT DESCRIPTION

The XK-700 power supply features two variable output voltages and three fixed 12V, -12V and 5V, variable output voltages are 0V to 20V and 0V to -20V at up to 1 ampere maximum current. All supplies are regulated to better than .2V when going from no load to full load. Varying the input AC voltage from 105 to 135V will have practically no effect on the output voltages. This is because of the specially designed IC circuits used in the XK-700 circuits. Severe overloading or even shorting the output circuits will not damage the supplies. Special turn-off circuits in the IC sense the overload and turn off the output.

THE POSITIVE 0V TO 20V POWER SUPPLY

Figure 1 shows a simplified circuit diagram of the positive supply. It consists of a power transformer, a DC rectifier stage and the regulator stage.

TRANSFORMER

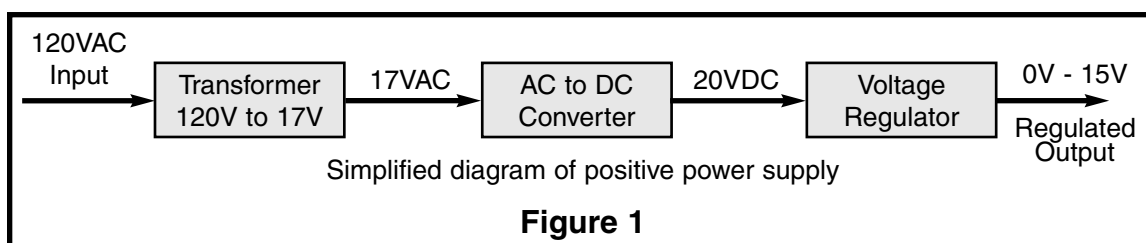
The transformer T1 serves two purposes. First, it reduces the 120VAC input to 17VAC to allow the proper voltage to enter the rectifier stages. Second,

it isolates the power supply output from the 120VAC line. This prevents the user from dangerous voltage shock should he or she be standing in a grounded area.

AC TO DC CONVERTER

The AC to DC converter consists of diodes D1, D3 and capacitor C1. Transformer T1 has two secondary windings which are 180° out of phase. The AC output at each winding is shown in Figure 2A and 2B.

Diodes are semiconductor devices that allow current to flow in one direction. The arrow in Figure 3 points to the direction current will flow. Only when the transformer voltage is positive will current flow through the diodes. Figure 3 shows the simplest possible rectifier circuit. This circuit is known as a half-wave rectifier. Here the diode conducts only half of the time when the AC wave is positive as shown in 2C. Use of this circuit is simple but inefficient. The big gap between cycles require much more filtering to obtain a smooth DC voltage.



By the addition of a second diode and transformer winding we can fill in the gap between cycles as shown in Figure 4. This circuit is called full-wave rectification. Each diode conducts when the voltage is positive. By adding the two outputs, the voltage presented to capacitor C1 is more complete, thus easier to filter, as shown in Figure 2E. When used in 60 cycles AC input power, the output of a full wave rectifier will be 120 cycles.

Capacitor C1 is used to store the current charges, thus smoothing the DC voltage. The larger the capacitor, the more current is stored. In this design 1000 μ F capacitors are used, which allows about 5 volts AC ripple when one amp is drawn.

In practice, the current through the diodes is not as shown in Figure 2C. Because capacitor C1 has a charge after the first cycle, the diode will not conduct until the positive AC voltage exceeds the positive charge in the capacitor. Figure 5 shows a better picture of what the current flow looks like assuming no loss in the diode.

It takes a few cycles for the voltage to build up on the capacitor. This depends on the resistance of the winding and diode. After the initial start-up, there will be a charge and discharge on the capacitor depending on the current drawn by the output load. Remember, current only flows through the diodes when the anode is more positive than the cathode. Thus, current will flow in short bursts as shown in Figure 5.

The DC load current may be one ampere but the peak diode current may be three times that. Therefore, the diode rating must be sufficient to handle the peak current. The 1N4001 has peak current rating of 10 amps.

REGULATOR CIRCUIT

The regulator circuit in the Model XK-700 power supply consists of a LM-317 integrated circuit. This IC is specially designed to perform the regulation function. Figure 6 shows a simplified circuit of how the LM-317 IC works.

Transistors Q1 and Q2 form a circuit known as a differential amplifier. Transistor Q1 base is connected to a stable 1.5V reference voltage. The base of Q2 is connected to the regulator output circuit through a voltage divider network. The collector of transistor Q2 is connected to a current source. This basically is a PNP transistor biased to

draw about 1mA current. Transistor Q2 sees the current source as a very high resistor of about 1 meg ohms. Thus, the gain of transistor Q2 is extremely high.

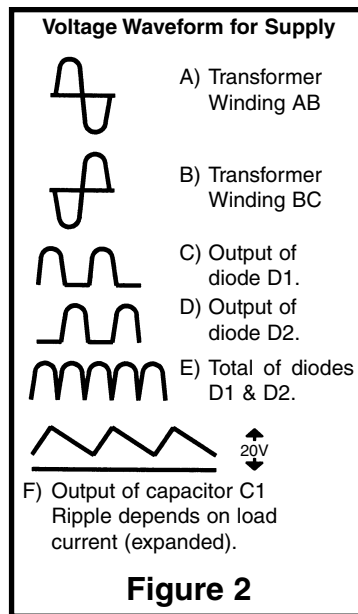


Figure 2

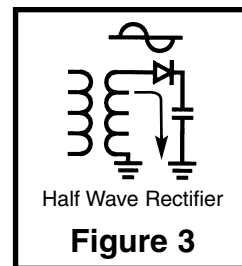


Figure 3

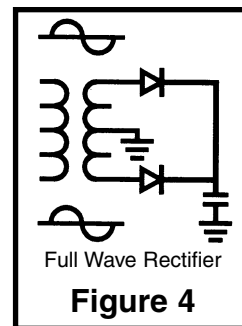


Figure 4

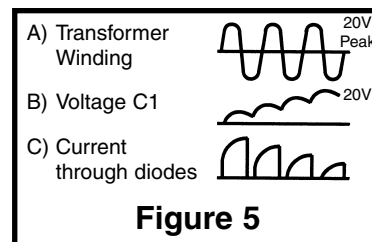


Figure 5

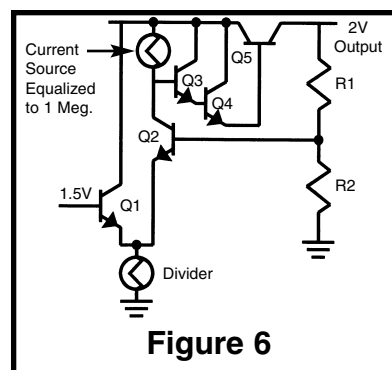
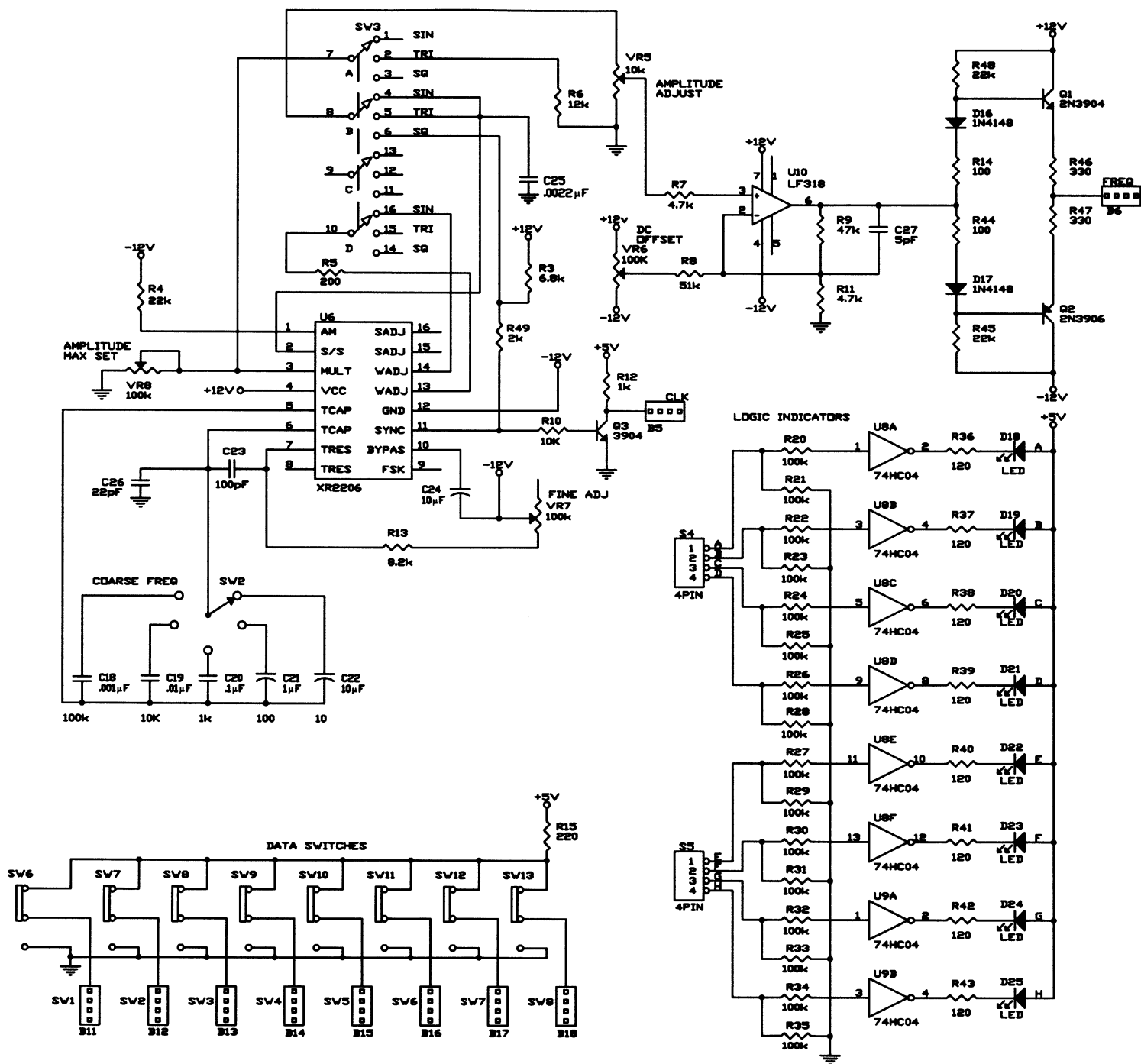


Figure 6



Transistor Q5 is called the pass transistor. It controls the current reaching the output. Transistor Q3 and Q4 are emitter followers. Their function is to raise the impedance of the pass transistor. Note that transistor Q2, Q3, Q4, Q5 and resistor R1 form a close loop. Also note that the feedback to the base of Q2 is negative, that is, when the base of Q2 goes positive, the output at emitter Q5 goes negative. Now if the 2V output voltage goes down because of current drain at the output, the base of Q2 will drop forcing the the collector voltage of Q2 to go higher. This will bring the output voltage back to 2V. This is the basis of all negative feedback regulators.

Another feature of the LM-317 regulator is to protect the IC against overload and output shorts. If the IC is overloaded, the junction of an overload transistor will overheat. A transistor will sense this overheating and shut down transistor Q5.

The LM-317 IC basically is a 1.25 volt regulator. To be able to vary the output from 0 to 20V, you stack the IC on the negative 1.25VDC voltage as shown in Figure 6A. When VR1 equals 0, the output voltage is 0 volts.

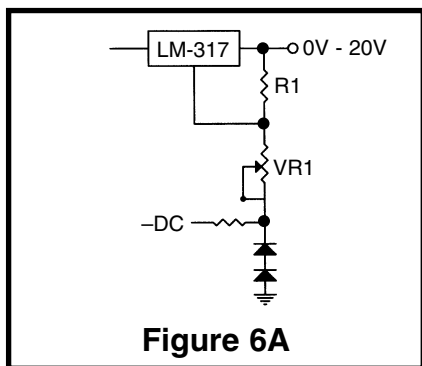


Figure 6A

THE NEGATIVE VOLTAGE REGULATOR

The theory of the voltage regulator is the same as the previously discussed positive regulator. The basic difference is that diodes D1 and D3 are reversed producing a negative voltage across capacitor C1. The LM-337 IC is designed to operate from a negative supply.

THE DATA SWITCHES

There are eight data switches labeled SW1 to SW8. The circuit is very simple. To perform the desired functions there is a double throw-double pole switch. One end is connected to the 5V, the other to ground and the center lug is connected to the output.

THE LOGIC SWITCHES

The logic switches perform the same function as the data switch, that is, they produce high or low states. But there is one big difference. When switching the data switches, many pulses may be produced due to bouncing of the contacts.

In the logic switches, only one pulse is produced, no matter how many times the contacts bounce. This is extremely important if you are producing pulses for counting circuits. Figure 7 shows the wiring of the logic switch. The two NAND gates are connected so that when X input is grounded the output X goes high. Opening and closing the ground at X will not change the output. Only when \bar{X} is grounded will the output change to low. Thus, only one output change is produced with one movement of the X switch. There are two outputs from logic switch, X and \bar{X} or Y and \bar{Y} .

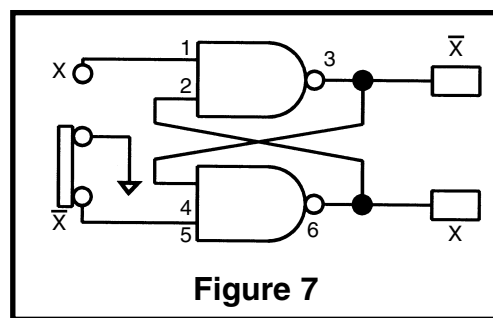


Figure 7

THE FUNCTION GENERATOR

The function generator frequencies are produced by an XR-2206 integrated circuit. This IC is capable of producing high quality sine, square, and triangle waveform of high stability and accuracy. Figure 8 shows the block diagram of the XR-2206 IC.

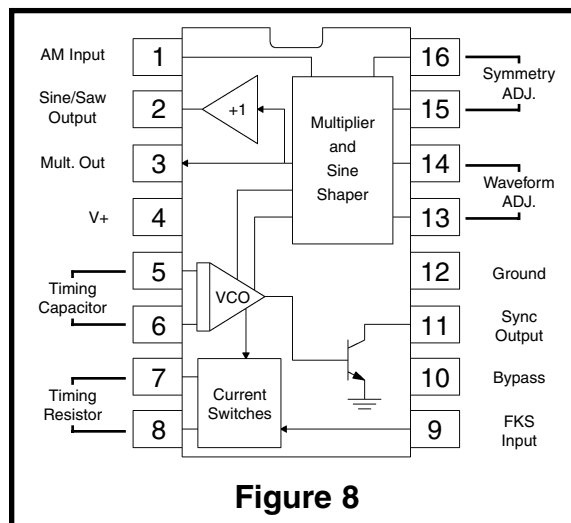


Figure 8

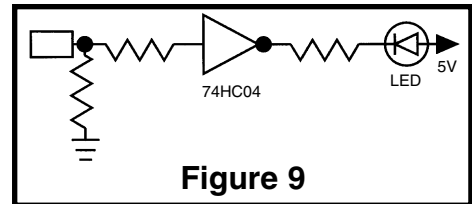
The XR-2206 is comprised of four functional blocks, a voltage controlled oscillator (VCO), an analog multiplier & sine shaper, a unity gain buffer amplifier and a set of current switches.

The VCO actually produces an output frequency proportional to an input current. Across pins 5 and 6, a timing capacitor, is switched on to give 5 different ranges of frequencies via COARSE FREQ. switch. On pin 7, the FINE FREQ. ADJ. variable resistor controls the actual frequency output. These two components form the RC time constants for the oscillator frequency.

The VCO produces a squarewave signal. This squarewave is sent to a shaper and converted into a sine wave.

THE LOGIC INDICATORS

There are eight logic indicators. Figure 9 shows the circuit. It consists of a 74HC04 IC. When the input is over 2.8V, the output of the IC will be low, drawing current through the LED indicator. The 120 ohm resistor limits the current in the LED to about 30mA.



FUSE REPLACEMENT

1. Turn the trainer off and unplug it from 120VAC power source.
2. Unscrew fuse holder cap and remove fuse.
3. **Use only a 1.25A fuse. Larger fuses or other fuse bypass will void the warranty of the trainer.**
4. Place the new fuse into the fuse holder cap and screw it back into the holder.
5. Plug trainer into 120VAC power source and turn the unit on.

ORGANIZER CARRYING CASE

The carrying case for the XK-700 Digital/Analog Trainer has been designed to hold a meter and many of the most important tools. The layout below shows a suggestive layout for equipment and tools. For added storage area, the tool palette has two sides; one with pockets and elastic as shown and the other with elastic.

(TL-8) Precision screwdriver kit

(ET-10) IC puller

Calculator - see Elenco™ catalog.

(ST-75) 11 pc. driver set

(ST-1) Diagonal cutters

(ST-2) Long nose pliers

(SP-2) Desoldering pump

(LP-550) Logic probe

(ST-30) Deluxe wire stripper

(SE-1) Solder ease kit

(ST-4) Solder tube

(SW-3) Solder wick

(SR-2B) Deluxe soldering iron

(ST-20) Safety goggles

(SL-5) Deluxe soldering station



Meters - ANY of the following will fit the special slope cavity

Meters available:

- | | |
|---------|----------|
| M-1700 | M-2625 |
| M-1750 | M-3900 |
| M-2795 | LCM-1950 |
| M-2785 | LCR-1810 |
| M-2666K | M-1000C |
- ...and others in catalog.

When ordering a meter to be used with the XK-700 trainer, specify a PSV-50 kit which will provide you with velcro to hold the meter in place. This is supplied **FREE** with meter order.

PARTS LIST

Qty.	Description	Part#	Qty.	Description	Part#
	Resistors			Miscellaneous	
□ 4	100Ω 5% 1/4W brn-blk-brn-gold	131000	□ 1	Transformer	44K500
□ 10	120Ω 5% 1/4W brn-red-brn-gold	131200	□ 1	PC Board	514550
□ 1	200Ω 5% 1/4W red-blk-brn-gold	132000	□ 1	Fuse 1.25A	530125
□ 1	220Ω 5% 1/4W red-red-brn-gold	132200	□ 10	Switch Slide PC Mount DPDT	541009
□ 2	330Ω 5% 1/4W org-org-brn-gold	133300	□ 1	Switch Rocker Illuminated	541204
□ 5	1kΩ 5% 1/4W brn-blk-red-gold	141000	□ 1	Switch Rotary 2P5POS	542206
□ 2	1.2kΩ 5% 1W brn-red-red-gold	141202	□ 1	Switch Rotary 4P3POS	542405
□ 1	2kΩ 5% 1/4W red-blk-red-gold	142000	□ 2	Connector 3-pin	591032
□ 2	4.7kΩ 5% 1/4W yel-vio-red-gold	144700	□ 2	Connector 4-pin	591042
□ 1	6.8kΩ 5% 1/4W blu-gry-red-gold	146800	□ 1	Connector 5-pin	591052
□ 1	8.2kΩ 5% 1/4W gry-red-red-gold	148200	□ 4	Bracket L 4-40 Tap	613008
□ 1	10kΩ 5% 1/4W brn-blk-org-gold	151000	□ 1	Panel Top	614108
□ 1	12kΩ 5% 1/4W brn-red-org-gold	151200	□ 1	Panel Side Left	614506
□ 3	22kΩ 5% 1/4W red-red-org-gold	152200	□ 1	Panel Side Right	614507
□ 1	47kΩ 5% 1/4W yel-vio-org-gold	154700	□ 1	Panel Back	614508
□ 1	51kΩ 5% 1/4W grn-brn-org-gold	155100	□ 9	Knob Push On	622009
□ 16	100kΩ 5% 1/4W brn-blk-yel-gold	161000	□ 1	Case	623051
□ 1	100kΩ Pot Trim	191610	□ 1	Bushing Insulated	624003
□ 1	1kΩ Pot PC Mount	192412	□ 1	Spacer Nylon 7/16" 4-40 Tap	624013
□ 2	2kΩ Pot PC Mount	192421	□ 8	Spacer 1/4" #8 Plastic	624124
□ 1	10kΩ Pot PC Mount	192531	□ 2	Screw #10-32 x 3/8" Hex	641158
□ 3	100kΩ Pot PC Mount	192612	□ 1	Screw #4-40 x 1/4" Phil Flat	641431
	Capacitors		□ 9	Screw #4-40 x 1/4" Phil Truss	641438
□ 1	5pF 10% 50V Disc	205010	□ 6	Screw #6-32 x 5/16" Slt'd Bndr	641641
□ 1	22pF 10% 50V Disc	212210	□ 4	Screw #4 x 1/4" Phil AB Blk	642430
□ 1	100pF 10% 50V Disc	221017	□ 4	Screw #4-40 x 1/4" Phil TC	642432
□ 1	.001μF 10% 100V Mylar	231017	□ 4	Screw #6 x 1/2" Phil AB Blk	642662
□ 1	.0022μF 10% 50V Disc	232216	□ 4	Screw #6 x 3/8" Phil TC	643652
□ 1	.01μF 10% 100V Mylar	241017	□ 7	Nut Pot 7mm	644101
□ 4	.1μF 10% 100V Mylar	251017	□ 2	Nut Pot 9mm	644102
□ 1	1μF 50V Lytic Radial	261047	□ 6	Nut #6-32 Hex	644601
□ 2	10μF 25V Lytic Radial	271045	□ 2	Nut #10-32 Hex	644810
□ 5	100μF 25V Lytic Radial	281045	□ 7	Washer Flat 8mm ID x 14mm OD	645101
□ 2	1000μF 25V Lytic Radial	291045	□ 2	Washer Flat 9mm ID x 15mm OD	645103
□ 4	1000μF 35V Lytic Radial	291046	□ 4	Washer Flat Black #6	645400
	Semiconductors		□ 5	Washer Fiber #4	645404
□ 19	1N4001 Diode	314001	□ 2	Lockwasher #10 External	646910
□ 2	1N4148 Diode	314148	□ 1	Fuse Holder	663000
□ 2	2N3904 NPN Transistor	323904	□ 1	IC Socket 8-Pin	664008
□ 1	2N3906 PNP Transistor	323906	□ 3	IC Socket 14-Pin	664014
□ 1	LM317 Regulator	330317	□ 1	IC Socket 16-Pin	664016
□ 1	LM318 Integrated Circuit	330318	□ 18	Bredblox 4-Pin	665204
□ 1	LM337 Regulator	330337	□ 5	Insulator Mica	780002
□ 1	XR2206 Integrated Circuit	332206	□ 5	Insulator Washer	780101
□ 1	SN7403 Integrated Circuit	337403	□ 5"	Wire 20GA Red Top Coat	813120
□ 1	LM7805 Regulator	337805	□ 2.5'	Wire 22GA Jumper	845000
□ 1	LM7812 Regulator	337812	□ 1	Line Cord	862105
□ 1	LM7912 Regulator	337912	□ 2"	Shrink Tubing 1/2" Dia	891101
□ 8	LED Red	350002	□ 1.5"	Shrink Tubing 3/4" Dia	899110
□ 2	74HC04 Integrated Circuit	39HC04	□ 1	9426 Bredboard	99426
			□ 1	9830 Bredboard	99830

POPULAR METERS THAT CAN BE USED WITH THE XK-700 TRAINER

Model M-2795



Features

- 3 3/4 digit, 4,000 count display
- Audible continuity test
- Data hold / rel. value
- Frequency to 15MHz
- Capacitance to 200µF
- Transistor / diode / logic test
- AC/DC current to 10A
- Auto power off
- Holster included

Specifications

AC volts	400mV, 4V, 40V, 400V, 750V	
Accuracy	4V, 40V, 400V: $\pm(0.8\% + 3)$	400mV, 750V: $\pm(1.2\% + 3)$
DC volts	400mV, 4V, 40V, 400V, 1000V	
Accuracy	400mV, 4V, 40V, 400V: $\pm(0.5\% + 3)$	1000V: $\pm(0.8\% + 3)$
AC current	40µA, 400µA, 4000µA, 40mA, 400mA, 10A	
Accuracy	40µA, 400µA, 4000µA: $\pm(1.5\% + 5)$	40mA, 400mA: $\pm(2\% + 5)$
10A: $\pm(2.5\% + 5)$		
DC current	40µA, 400µA, 4000µA, 40mA, 400mA, 10A	
Accuracy	40µA, 400µA, 4000µA: $\pm(1.2\% + 3)$	40mA, 400mA: $\pm(1.5\% + 3)$
10A: $\pm(2\% + 5)$		
Resistance	400Ω, 4kΩ, 40kΩ, 400kΩ, 4MΩ, 40MΩ, 400MΩ	
Accuracy	400Ω, 4kΩ, 40kΩ, 400kΩ, 4MΩ: $\pm(1\% + 3)$	40MΩ: $\pm(2\% + 3)$
400MΩ: $\pm(3\% + 10)$		
Capacitance	4nF, 40nF, 400nF, 4µF, 40µF, 200µF	
Accuracy	4nF: $\pm(5\% + 10)$	40nF: $\pm(3\% + 10)$
400nF, 4µF, 40µF: $\pm(2\% + 5)$		200µF: $\pm(4\% + 5)$
Frequency	10Hz - 15MHz	$\pm(0.1\% + 5)$
Sensitivity	Sine wave 0.6Vrms	
Accessories	Heavy-duty test leads, holster, manual, & 9V battery included	
Dimensions / weight	7 1/2" (H) x 3 1/2" (W) x 1 3/4" (D) (without holster) / 10.56 oz. (without holster)	

Model M-1700



Features

- 3 1/2 digit, 2,000 count display
- Frequency to 20MHz
- Capacitance to 20µF
- Diode and transistor test
- Audible continuity
- AC/DC current to 10A
- 3-way overload protection
- Low cost
- Holster included

Specifications

AC + DC volts	200mV, 2V, 20V, 200V, 600V	
Accuracy	$\pm(0.5\% \text{ rdg} + 1 \text{ dgt})$ DC, $\pm(1\% \text{ rdg} + 4 \text{ dgts})$ AC	Resolution 100µV
AC + DC current	2mA, 20mA, 200mA, 10A	
Accuracy	2.5%	Resolution 100µA
Resistance	200Ω, 2kΩ, 20kΩ, 200kΩ, 2MΩ, 20MΩ	
Accuracy	$\pm(0.8\% \text{ rdg} + 3 \text{ dgts})$ 200Ω, $\pm(3.0\% + 3 \text{ dgts})$ 20MΩ	Resolution 0.1Ω
Capacitance	2nF, 20nF, 200nF, 2µF, 20µF	
Accuracy	$\pm 5\%$	Resolution 1pF
Frequency	10Hz - 20MHz autoranging	
Accuracy	0.5%	Resolution 1Hz
Accessories	Test leads, manual, 9V battery included	
Options	C-90, C-17	
Dimensions	6" (H) x 2 1/2" (W) x 1 1/4" (D)	
Weight	7.4 oz.	

Model M-1750



Features

- 3 3/4 digit, 4,000 count display
- Frequency to 10MHz
- Capacitance to 200µF
- Diode and transistor test
- Audible continuity
- AC/DC current to 10A
- 3-Way overload protection
- Holster included
- Relative measurement

Specifications

AC + DC volts	400mV, 4V, 40V, 400V, 600V	
Accuracy	0.5% DC, 0.8% AC	Resolution 100µV
AC + DC current	400µA, 4000µA, 40mA, 400mA, 10A	
Accuracy	1.5%	Resolution 0.1µA
Resistance	400Ω, 4kΩ, 40kΩ, 400kΩ, 4MΩ, 40MΩ	
Accuracy	1Ω	Resolution 0.1Ω
Capacitance	4nF, 40nF, 400nF, 4µF, 40µF, 400µF	
Accuracy	$\pm 2\%$	Resolution 1pF
Frequency	10Hz - 10MHz autoranging	
Accuracy	0.5%	Resolution 1Hz
Accessories	Test leads, manual, holster, 9V battery included	
Dimensions	6" (H) x 2 1/2" (W) x 2 1/4" (D)	
Weight	9.3 oz.	

Compact Multimeter Model M-1000C



Features

- 3 1/2 digit, 2,000 count display
- Transistor test
- Audible continuity
- Diode test
- Signal injector
- Overload protection
- Pocket-size
- Low cost

Available as a kit (M-1006K)

Specifications

AC + DC volts	200mV, 2V, 20V, 200V, 1000V, 200VAC, 750VAC	
Accuracy	DC 0.5%, AC 1.2%	Resolution 0.1mV
Input impedance	1MΩ	
DC current	200µA, 2mA, 20mA, 200mA, 10A	
Accuracy	$\pm 1.2\% \text{ rdg} + 2 \text{ Digits}$	Resolution 0.1µA
Resistance	200Ω, 2kΩ, 20kΩ, 200kΩ, 2MΩ	
Accuracy	$\pm 1.2\% \text{ rdg} + 2 \text{ Digits}$	Resolution 0.1Ω
Accessories	Test leads, manual, 9V battery included	
Dimensions	5" (H) x 2 29/32" (W) x 1" (D)	
Weight	4.5 oz.	

WARRANTY POLICY

Your XK-700 Digital / Analog Trainer has been tested and conforms to our rigid requirements on performance and durability. It is guaranteed to be free of defects in workmanship, materials and construction for a period of 2 years. If this product should fail during normal use within the first 3 months from the date of purchase, Elenco™ will repair or replace the unit at no cost. For the remainder of the warranty period, a nominal service charge is required to cover shipping and handling.

When returning merchandise for repair, please include proof of purchase, a brief letter of explanation of problem and sufficient packing material. Before returning any merchandise, please call our service department at (847) 541-3800 to obtain a return merchandise authorization number (RMA).

**Elenco™ Electronics, Inc. • Service Department
150 W. Carpenter Avenue • Wheeling, IL 60090**



An Interworld Highway, LLC Company