



Height-adjustable Wall Mount FOR EPSON ULTRA-SHORT THROW PROJECTORS



Whiteboard and projector not included.

Versatile classroom mounting solution.

Now, students and teachers of any height can comfortably take part in interactive lessons or write on the board with Epson's easy-to-use Height-adjustable Wall Mount. This versatile product is designed for use with an Epson ultra-short throw projector and whiteboard. Easy to install on a wall or over existing whiteboards/blackboards, it includes a lift button to quickly adjust the height up to 17". The perfect partner to your Epson ultra-short throw projector, the Height-adjustable Wall Mount makes it easy to deliver powerful multimedia presentations with a standard whiteboard or interactive whiteboard of your choice.

Meets the needs of users of various heights — includes easy-to-use lift handle for simple one-handed height adjustments within a range of 17"

Versatile — designed for Epson ultra-short throw projectors and your choice of standard whiteboard or interactive whiteboard up to 96" (16:10) or 85" (4:3) diagonal

Maximize classroom space — installs over your existing whiteboard or blackboard

Durable steel mounting frame — provides long-lasting reliability



Height-adjustable Wall Mount

For Epson Ultra-short Throw Projectors

Product Name	Product Code	UPC
4:3 Height-adjustable Wall Mount Solution designed for use with an Epson Ultra-short Throw Projector and Whiteboard	V12H457009	0 10343 88330 7
16:10 Height-adjustable Wall Mount Solution designed for use with an Epson Ultra-short Throw Projector and Whiteboard	V12H457010	0 10343 88329 1
Accessories	Product Code	UPC
90" Whiteboard	V12H468002	0 10343 88437 3
96" Whiteboard	V12H468001	0 10343 87848 8



Whiteboard and projector not included.

Supported Work Surfaces

4:3 – up to 85" diagonal board size (minimum 77"), 40 lb maximum
16:10 – up to 96" diagonal board size (minimum 77"), 68 lb maximum
Works with traditional dry-erase, interactive or Epson whiteboards
Vertical Height Adjustment
 17" – locks into desired position

Dimensions (W x D x H)

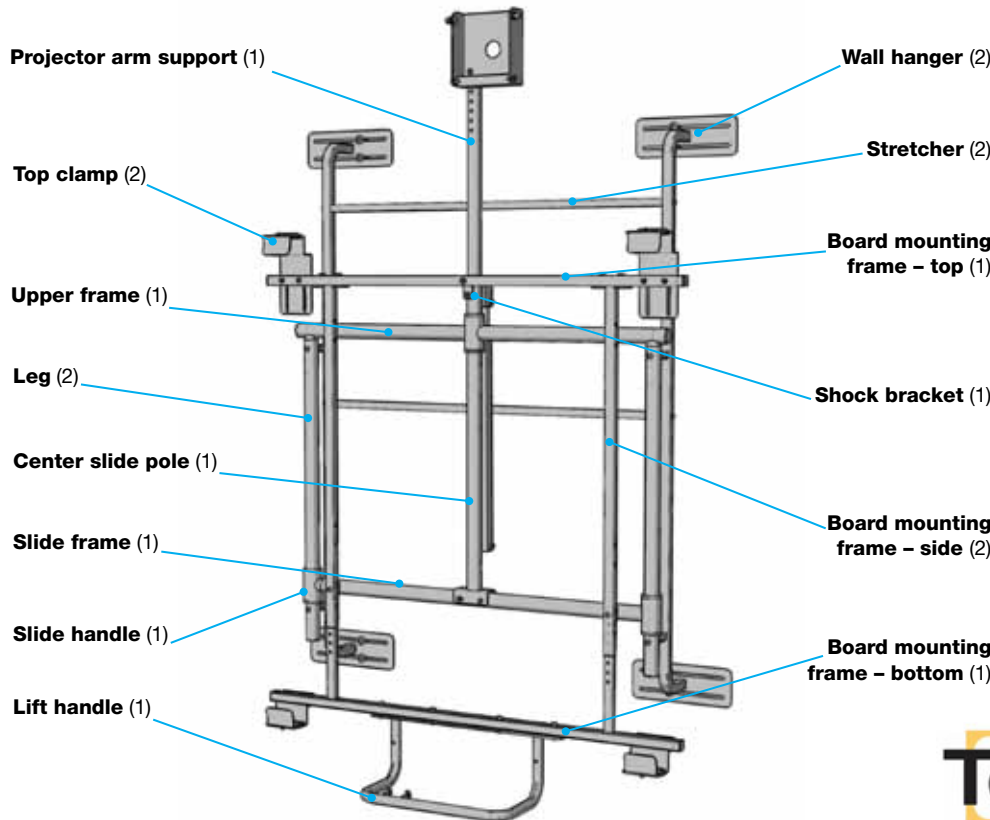
Height-adjustable Wall Mount
 51.5" x 18.5" x 82.0"

Packaging Specifications

Height-adjustable Wall Mount (Box 1 of 2)
 14.9" x 64.8" x 10.0"
 Weight 44 lb
Height-adjustable Wall Mount (Box 2 of 2)
 31.5" x 50.6" x 7.5"
 Weight 46 lb

Support

What's In The Boxes
Height-adjustable Wall Mount (Box 1 of 2) CEPHAWMO
 (2) Legs, Center Slide Pole, Projector Arm Support, (2) Wall Hangers, (2) Stretches, Slide Frame, Slide Handle, Assembly Guide
Height-adjustable Wall Mount (Box 2 of 2) CEPHAWM1/CEPHAWM2
 Upper Frame Pre-assembly, Lift Handle, Board Mounting Frame – Top, Board Mounting Frame – Bottom, (2) Top Clamps, (2) Board Mounting Frame Supports
Country of Origin
 China
Warranty
 Three-year limited frame/equipment warranty (excludes projectors and electrical cords)



Touchboards

205 Westwood Ave, Long Branch, NJ 07740
 Phone: 866-94 BOARDS (26273) / (732)-222-1511
 Fax: (732)-222-7088 | E-mail: sales@touchboards.com



Better Products for a Better Future™

For more information on Epson's environmental programs, go to eco.epson.com

Epson America, Inc.
 3840 Kilroy Airport Way, Long Beach, CA 90806

Epson Canada Limited
 185 Renfrew Drive, Markham, Ontario, L3R 6G3

www.epson.com
www.epson.ca