

**Portable Outlet Boxes - Standard Duty
and Weather-Resistant
Pre-Wired and GFCI Protected Portable Outlet Boxes
Multiple Outlet Boxes
3-Phase Alternate-Wired Stringers
Perma-Dapt™ "Y" and "W" cordsets
Perma-Tite Molded Cord Sets
1066 Series Power Distribution Center
Oscar™ 2 Expo Series Power Distribution Centers
Oscar™ 2 Tactical Power Distribution Centers
e-Cart™ & e-Cart™ Jr Mobile Power Distribution Carts
Custom Built Assemblies**



Temporary Power

Introduction

Ericson Manufacturing Company engineers and produces a comprehensive range of temporary power products for your general maintenance and construction needs. Ericson portable outlet boxes eliminate electrocution hazards on the jobsite caused by metallic boxes. These products help your company comply with the NEC and OSHA regulations. In the following pages you will find:

- Portable outlet boxes - Standard duty and weather-resistant
- 3-phase, alternate wired stringer sets
- Over-the-floor cable protector

Portable Outlet Boxes - Standard Duty and Weather-Resistant

NEW!

- UL Listed and CSA Certified
- Available in standard depth and extra-deep for larger devices
- Now available in black for stage, studio & entertainment applications

Pre-Wired and GFCI Protected Portable Outlet Boxes

- Available in a variety of cord lengths

3-Phase Alternate-Wired Stringers

- Perfect for trade shows & events requiring temporary power
- Available in a variety of standard and custom assemblies

Multiple Outlet Boxes

- Available with 125V, 250V, 277V, 15Amp and 20Amp Devices
- Available with #14 or #12 SO cord in a variety of lengths

OSCAR™ Boxes GFCI Protected Temporary Power

- ETL Listed, Code Compliant temporary power distribution
- Available in standard or custom models

OSCAR™ 2 Expo Series Temporary Power Boxes

NEW!

- Perfect for construction and MRO work
- Ideal for convention centers to distribute power for exhibitions and maintenance
- Well suited for temporary power distribution at carnivals, circuses, fairs and similar events

OSCAR™ 2 Tactical Series Temporary Power Boxes

NEW!

- Military style class L inlet & feed through (60 or 100 Amp, 3ph or 1ph)
- Earth ground lug
- Tactical color schemes (desert or jungle)

e-Cart™ & e-Cart™ Jr. - Mobile Temporary Power Distribution Centers

NEW!

- Transformers, load center, outlets & disconnect switch mounted on heavy-duty carts
- Several standard models are available for a variety of power requirements
- Flexible design platform allows you to specify a variety of options tailored to your applications

CP Series Cable Protectors

- Heavy duty protection for expensive cables
- Ideal for conventions, in-plant use & outdoor events

NEW!

Perma-Dapt™ "Y" and "W" cordsets

- UL Listed and CSA Certified
- Full range of "Y"s and "W"s with your choice of plug and connectors

Custom Built Devices

As always you can turn to Ericson Manufacturing Company to engineer a solution for your temporary power application if you do not find a standard catalog item to fit your need. Contact the factory or your local sales representative to find out more.

Temporary Power

6000 Series Portable Outlet Boxes

6000 Series Portable Outlet Boxes

- Rugged and durable, these outlet boxes are engineered to provide protection against electric shock while using portable power cords
- Molded of thermoplastic elastomer (TPE) these non-conductive boxes are crush proof and resistant to jobsite oils
- High-visibility dual-color safety system for easy identification on the jobsite
- Cover plates and clamps are molded of impact resistant nylon and resistant to jobsite oils
- Built-in TPE cord entrance seals out dirt, dust and other contaminants
- Accommodates wide range of devices
- Extra-deep box provides additional wiring space - perfect for use with #12/3 cord and larger
- Available as pendant and feed-through boxes
- Available with a wide range of cover plates and a full range of replacement parts
- Available with Ericson's in-line and Plug type GFCIs for added protection and code compliance



6000 Series Portable Outlet Boxes Selection Guide

	For (2) Duplex Receptacles		For (2) Single Receptacles: 1.390" dia. Hole		For (2) Single Receptacles: 1.572" dia. Hole	
	Standard Depth	Extra Deep	Standard Depth	Extra Deep	Standard Depth	Extra Deep
Pendant	6000	6002	6005	6006	6010	6011
*Feed-Through	6000-F	6002-F	6005-F	6006-F	6010-F	6011-F

Standard depth box = 3-3/16"

Extra deep box = 4-5/32"

* All 6000 Series feed-throughs have cord grip nuts and grommets (see photo of 6000-F above)

Outlet Boxes With PERMAWATCH® GCM Ground and Continuity Monitor

Ericson's Perma-Watch® GCM can be supplied on all outlet boxes with the exception of feed-thru models. GCM monitors the condition of ground continuity and correct wiring. Please see pages 134 and 135 for complete details on the Perma-Watch® GCM, add letter "M" to Catalog Number of Outlet Box.



Call Toll-Free 1-800-ERICSON (374-2766)

Temporary Power

6000 Series Replacement Parts

6000 Series Replacement Boxes



Standard Depth Box
Catalog Number - 6030

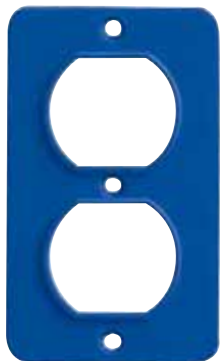
Standard Depth Box with Feed Through
Catalog Number - 6030-F



Extra Deep Box
Catalog Number - 6029

Extra Deep Box with Feed Through
Catalog Number - 6029-F

6000 Series Replacement Cover Plates



Duplex Receptacle Cover Plate
Catalog Number - 6031



Single Receptacle Cover Plate
1.390" Dia. Opening
Catalog Number - 6032



Single Receptacle Cover Plate
1.572" Dia. Opening
Catalog Number - 6033



GFCI Receptacle Cover Plate
Catalog Number - 6035



Blank Cover Plate
Catalog Number - 6034

Temporary Power

6000 Series Factory Wired Outlet Boxes

These factory assembled outlet boxes save assembly time in the field and assembly cost; plus they give the assurance of proper component matching of cord, box and plug.



6000 Series Factory Wired Portable Outlet Boxes Selection Guide

	Factory Wired Box	Box w/ Receptacles	NEMA Config.	Cord Length	SOW Cord Size
Factory wired with (2) duplex receptacles					
6000 box w/ (2) duplex 5-15 receptacles, 1' cord w/ 5-15 plug	60001		5-15	1'	14/3
6000 box w/ (2) duplex 5-15 receptacles, 25' cord w/ 5-15 plug	60025		5-15	25'	14/3
6000 box w/ (2) duplex 5-15 receptacles, 50' cord w/ 5-15 plug	60050		5-15	50'	14/3
Factory wired with (2) single receptacles					
6006 box w/(2) L5-15 Outlets, 6' cord w/ L5-15 plug	6006-143C2		L5-15	6'	14/3
6006 box w/(2) L5-15 Outlets, 25' cord w/ L5-15 plug	6006-143A2		L5-15	25'	14/3
6006 box w/(2) L5-15 Outlets, 50' cord w/ L5-15 plug	6006-143B2		L5-15	50'	14/3
6006 box w/(2) L5-15 Outlets		6006-2	L5-15		
6011 w/ (2) L5-20, 6' #12/3 cord w/L5-20 plug	6011-123C3		L5-20	6'	12/3
6011 w/ (2) L5-20, 25' #12/3 cord w/L5-20 plug	6011-123A3		L5-20	25'	12/3
6011 w/ (2) L5-20, 50' #12/3 cord w/L5-20 plug	6011-123B3		L5-20	50'	12/3
6011 w/ (2) L5-20 receptacles		6011-3	L5-20		
6011 w/ (2) L6-20, 6' #12/3 cord w/L6-20 plug	6011-123C4		L6-20	6'	12/3
6011 w/ (2) L6-20, 25' #12/3 cord w/L6-20 plug	6011-123A4		L6-20	25'	12/3
6011 w/ (2) L6-20, 50' #12/3 cord w/L6-20 plug	6011-123B4		L6-20	50'	12/3
6011 w/ (2) L6-20 receptacles		6011-4	L6-20		
6011 w/ (2) L7-20, 6' #12/3 cord w/L7-20 plug	6011-123C5		L7-20	6'	12/3
6011 w/ (2) L7-20, 25' #12/3 cord w/L7-20 plug	6011-123A5		L7-20	25'	12/3
6011 w/ (2) L7-20, 50' #12/3 cord w/L7-20 plug	6011-123B5		L7-20	50'	12/3
6011 w/ (2) L7-20 receptacles		6011-5	L7-20		
6011 w/ (2) Non-NEMA 2P, 3W 20A 250V locking, 6' #12/3 cord	6011-123C9		Non-NEMA	6'	12/3
6011 w/ (2) Non-NEMA 2P, 3W 20A 250V locking, 25' #12/3 cord	6011-123A9		Non-NEMA	25'	12/3
6011 w/ (2) Non-NEMA 2P, 3W 20A 250V locking, 50' #12/3 cord	6011-123B9		Non-NEMA	50'	12/3
6011 w/ (2) Non-NEMA 2P, 3W 20A 250V locking receptacles		6011-9	Non-NEMA		

Notes:

1. Contact factory for custom assemblies

Temporary Power

6000 Series GFCI Protected Portable Outlet Boxes

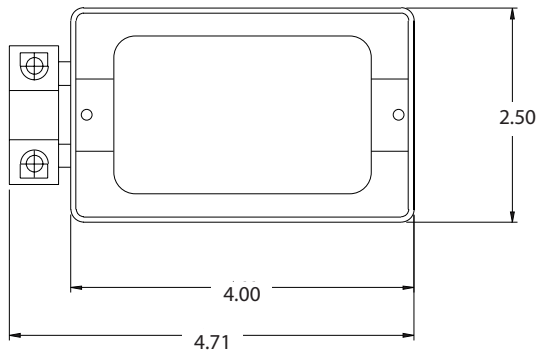
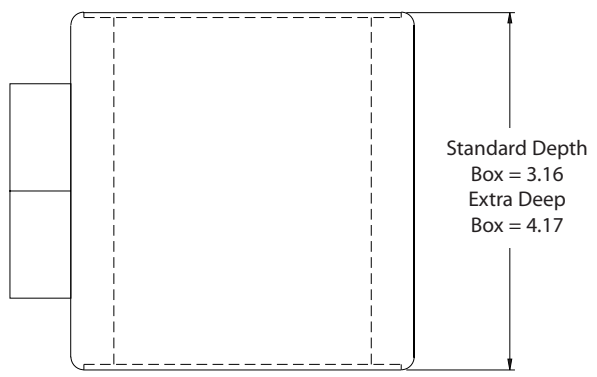
6000 Series GFCI Protected Portable Outlet Boxes Selection Guide



	NEMA Config.	Secondary Cord Length	SJTW Cord	Factory Wired Box w/ In-Line GFCI
6000 Series Boxes Factory wired with (2) duplex receptacles				
6000 box w/ (2) duplex 5-15 receptacles, 1' cord w/ 5-15 plug	5-20	1'	12/3	XG2-12-2B
6000 box w/ (2) duplex 5-15 receptacles, 25' cord w/ 5-15 plug	5-20	25'	12/3	XG2-12-25B
6000 box w/ (2) duplex 5-15 receptacles, 50' cord w/ 5-15 plug	5-20	50'	12/3	XG2-12-50B

Notes:
 1. Contact factory for custom assemblies

6000 Series



Temporary Power

6100 Series Weather Resistant Portable Outlet Boxes

6100 Series Weather Resistant Portable Outlet Boxes

- Non-metallic, non-conductive design provides protection against electric shock while using portable power cords
- Spring-loaded flip seal covers protect receptacle when not in use
- Heavy-duty stainless steel springs provides dependable, long service life
- Molded of thermoplastic elastomer (TPE) these non-conductive boxes are crush proof and resistant to jobsite oils
- Supplied with cord grip bushings that accommodate #16/3 SO through #12/3 SO cord
- High-visibility dual-color safety system for easy identification on the jobsite
- Cover plates and flip seals are molded of impact resistant PBT thermoplastic and resistant to jobsite oils
- Accommodates a wide range of devices
- Extra-deep box provides additional wiring space
- Available as pendant and feed-through boxes
- Available with a wide range of cover plates and a full range of replacement parts
- Available with Ericson's in-line and Plug type GFCIs for added protection and code compliance



6100

6102

6100-F

6100 Series Weather Resistant Portable Outlet Boxes Selection Guide

	For (2) Duplex Receptacles		For (2) Single Receptacles: 1.390" dia. Hole		For (2) Single Receptacles: 1.572" dia. Hole	
	Standard Depth	Extra Deep	Standard Depth	Extra Deep	Standard Depth	Extra Deep
Pendant	6100	6102	6105	6106	6110	6111
Feed-Through	6100-F	6102-F	6105-F	6106-F	6110-F	6111-F

Standard depth box = 3-3/16"
Extra deep box = 4-5/32"

Selection Guide

	For 2 Duplex Receptacles	
	Standard Depth	Extra Deep
Pendant	6100B	6102B
Feed-Thru	6100B-F	6102B-F

Now available in black for Stage, Studio & Entertainment
Molded black box with black coverplates blends into the background. Ideal for stage, studio, entertainment and other applications where you want the box to not attract attention.



Temporary Power

6100 Series Replacement Parts

6100 Series Replacement Boxes



Standard Depth
Catalog Number - 6130

Standard Depth Box with
Feed Through (not shown)
Catalog Number - 6130-F



Extra Deep Box
Catalog Number - 6129

Extra Deep Box with Feed
Through (not shown)
Catalog Number - 6129-F



Standard Depth
Catalog Number - 6130B

Standard Depth Box with
Feed Through (not shown)
Catalog Number - 6130B-F



Extra Deep
Catalog Number - 6129B

Extra Deep Box with Feed
Through (not shown)
Catalog Number - 6129B-F

6100 Series Replacement Cover Plates



For Single Receptacles
1.390" Dia. Opening
Catalog Number - 6132



For Single Receptacles
1.572" Dia. Opening
Catalog Number - 6133



For Duplex Receptacles
Catalog Number - 6131



Blank Coverplate
Catalog Number - 6034



For GFCI Receptacles
Catalog Number - 6135Y



Also available in black
Catalog Number - 6133



Also available in black
Catalog Number - 6131B

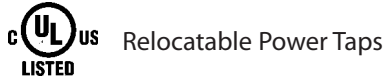


Also available in black
Catalog Number - 6034B

Temporary Power

6100 Series Factory Wired Portable Outlet Boxes

These factory assembled outlet boxes save assembly time in the field and assembly cost, plus they give the assurance of proper component matching of cord, box and plug.



6100 Series Factory Wired Portable Outlet Boxes Selection Guide

	Factory Wired Box	Box w/ Receptacles	NEMA Config.	Cord Length	SOW Cord Size
Factory wired with (2) duplex receptacles					
6100 box w/ (2) duplex 5-15 receptacles, 1' cord w/ 5-15 plug	61001		5-15	1'	14/3
6100 box w/ (2) duplex 5-15 receptacles, 25' cord w/ 5-15 plug	61025		5-15	25'	14/3
6100 box w/ (2) duplex 5-15 receptacles, 50' cord w/ 5-15 plug	61050		5-15	50'	14/3
Factory wired with (2) duplex L5-15 receptacles					
6100 box w/ (2) duplex L5-15 receptacles, 1' cord w/ L5-15 plug	61201		L5-15	1'	14/3
6100 box w/ (2) duplex L5-15 receptacles, 25' cord w/ L5-15 plug	61225		L5-15	25'	14/3
6100 box w/ (2) duplex L5-15 receptacles, 50' cord w/ L5-15 plug	61250		L5-15	50'	14/3
Factory wired with (2) single receptacles					
6106 box w/(2) L5-15 Outlets, 6' cord w/ L5-15 plug	6106-143C2		L5-15	6'	14/3
6106 box w/(2) L5-15 Outlets, 25' cord w/ L5-15 plug	6106-143A2		L5-15	25'	14/3
6106 box w/(2) L5-15 Outlets, 50' cord w/ L5-15 plug	6106-143B2		L5-15	50'	14/3
6106 box w/(2) L5-15 Outlets		6106-2	L5-15		
Factory wired with (2) L5-20 receptacles					
6111 w/ (2) L5-20, 6' #12/3 cord w/L5-20 plug	6111-123C3		L5-20	6'	12/3
6111 w/ (2) L5-20, 25' #12/3 cord w/L5-20 plug	6111-123A3		L5-20	25'	12/3
6111 w/ (2) L5-20, 50' #12/3 cord w/L5-20 plug	6111-123B3		L5-20	50'	12/3
6111 w/ (2) L5-20 receptacles		6111-3	L5-20		
Factory wired with (2) L6-20 receptacles					
6111 w/ (2) L6-20, 6' #12/3 cord w/L6-20 plug	6111-123C4		L6-20	6'	12/3
6111 w/ (2) L6-20, 25' #12/3 cord w/L6-20 plug	6111-123A4		L6-20	25'	12/3
6111 w/ (2) L6-20, 50' #12/3 cord w/L6-20 plug	6111-123B4		L6-20	50'	12/3
6111 w/ (2) L6-20 receptacles		6111-4	L6-20		
Factory wired with (2) L7-20 receptacles					
6111 w/ (2) L7-20, 6' #12/3 cord w/L7-20 plug	6111-123C5		L7-20	6'	12/3
6111 w/ (2) L7-20, 25' #12/3 cord w/L7-20 plug	6111-123A5		L7-20	25'	12/3
6111 w/ (2) L7-20, 50' #12/3 cord w/L7-20 plug	6111-123B5		L7-20	50'	12/3
6111 w/ (2) L7-20 receptacles		6111-5	L7-20		
Factory wired with (2) Non-NEMA 2P, 3W 20A 250V locking receptacles					
6111 w/ (2) Non-NEMA 2P, 3W 20A 250V locking, 6' #12/3 cord	6111-123C9		Non-NEMA	6'	12/3
6111 w/ (2) Non-NEMA 2P, 3W 20A 250V locking, 25' #12/3 cord	6111-123A9		Non-NEMA	25'	12/3
6111 w/ (2) Non-NEMA 2P, 3W 20A 250V locking, 50' #12/3 cord	6111-123B9		Non-NEMA	50'	12/3
6111 w/ (2) Non-NEMA 2P, 3W 20A 250V locking receptacles		6111-9	Non-NEMA		

Notes:

1. Contact factory for custom assemblies

Temporary Power

6100 Series GFCI Protected Outlet Boxes

6100 Series GFCI Protected Portable Outlet Boxes

	NEMA Config.	Secondary Cord Length	SJTW Cord	Factory Wired Box w/ In-Line GFCI
6100 Series Boxes Factory wired with (2) duplex receptacles				
6100 box w/ (2) duplex 5-15 receptacles, 1' cord w/ 5-15 plug	5-15	1'	12/3	XG2-12-2BW
6100 box w/ (2) duplex 5-15 receptacles, 25' cord w/ 5-15 plug	5-15	25'	12/3	XG2-12-25BW
6100 box w/ (2) duplex 5-15 receptacles, 50' cord w/ 5-15 plug	5-15	50'	12/3	XG2-12-50BW



Notes:

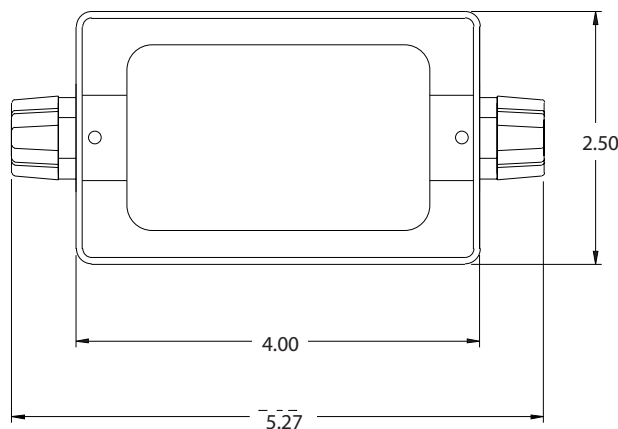
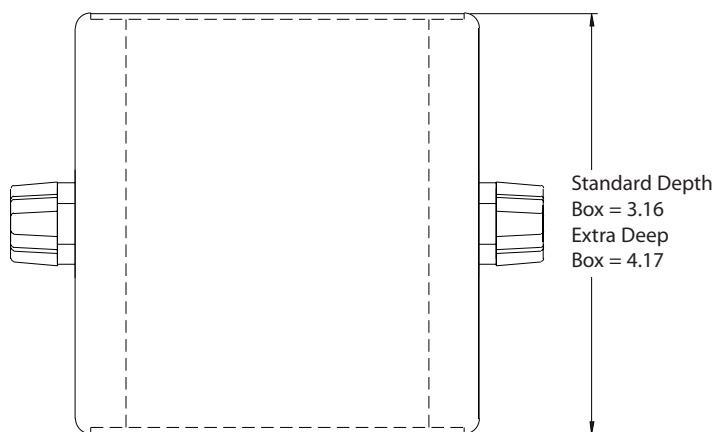
1. Contact factory for custom assemblies



Outlet Boxes With PERMA-WATCH® GCM Ground and Continuity Monitor

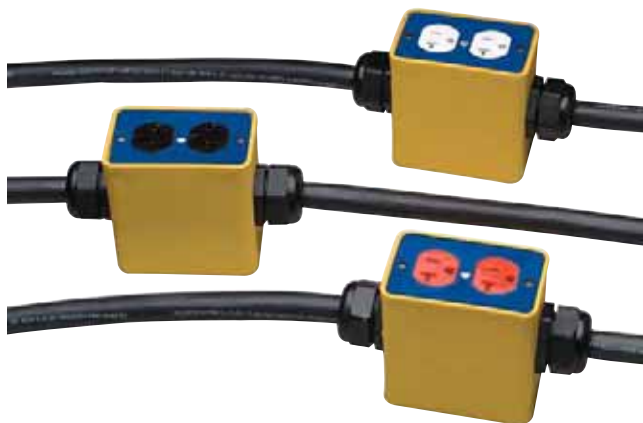
Ericson's Perma-Watch® GCM can be supplied on all outlet boxes with the exception of feed-thru models. GCM monitors the condition of ground continuity and correct wiring. Please see pages 88 and 89 for complete details on the Perma-Watch® GCM, add letter "M" to Catalog Number of Outlet Box.

6100 Series



Temporary Power

Factory Wired 3-Phase Alternate-Wired Stringers



3-Phase Alternate-Wired Portable Outlet Box Strings

- Code compliant
- Perfect for events requiring temporary power such as: conventions, carnivals, circuses, fairs and sporting events
- Available with Ericson's non-metallic, non-conductive outlet boxes
- Molded of thermoplastic elastomer (TPE) these non-conductive boxes are crush proof and resistant to jobsite oils
- High-visibility dual-color safety system for easy identification on the jobsite
- Available with a wide range of cover plates and a full range of replacement parts

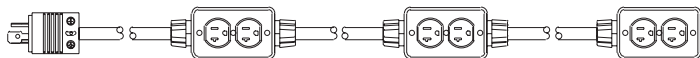
3-Phase Alternate Wired Streamers Selection Guide. 10' leader. Boxes 10' on Center

	Catalog Number	Plug	Receptacles	Overall Length	SOW Cord Size	Box 1	Box 2	Box 3	Box 4	Box 5	Box 6
Factory Wired Streamer with 6000 Boxes											
w/ (3) 6002 boxes	6050-125F8	L21-20	5-20	30'	12/5	A-phase	B-phase	C-phase	-	-	-
w/ (6) 6002 boxes	6050-125G8	L21-20	5-20	60'	12/5	A-phase	B-phase	C-phase	A-phase	B-phase	C-phase
w/ (3) 6002 boxes	6050-105F8	L21-20	5-20	30'	10/5	A-phase	B-phase	C-phase	-	-	-
w/ (6) 6002 boxes	6050-105G8	L21-20	5-20	60'	10/5	A-phase	B-phase	C-phase	A-phase	B-phase	C-phase

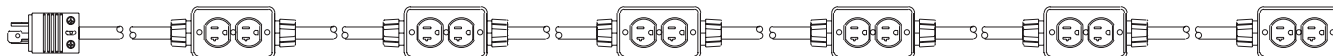
Notes:

1. Contact factory for custom assemblies
2. Add "BLK" to catalog number for all black boxes & cable. Example: 6050-125F8 becomes 6050-125F8BLK
3. Supplied with NEMA L21-20P 208V 3PH 5 wire grounding plug
4. Max 20 amps per phase
5. One color-coded duplex outlet per box
6. Indoor use only without snap covers

30' Streamer



60' Streamer



Temporary Power

Perma-Tite® 2- FS Series Cover Plates



PERMA-TITE® 2 Single Outlet Cover Plates - FS Series

- Weather resistant boot seals around Ericson Perma-Tite plug to provide weather resistant protection
- Spring-loaded flip-lid covers receptacle when not in use
- Includes cover plate, rubber boot, stainless steel mounting plate/mounting screws
- Impact, chemical & corrosion resistant construction stands up to demanding environments
- Mounts easily to FS and FD boxes and any flat surface

PERMA-TITE® 2 Single Outlet Cover Plates - FS Series

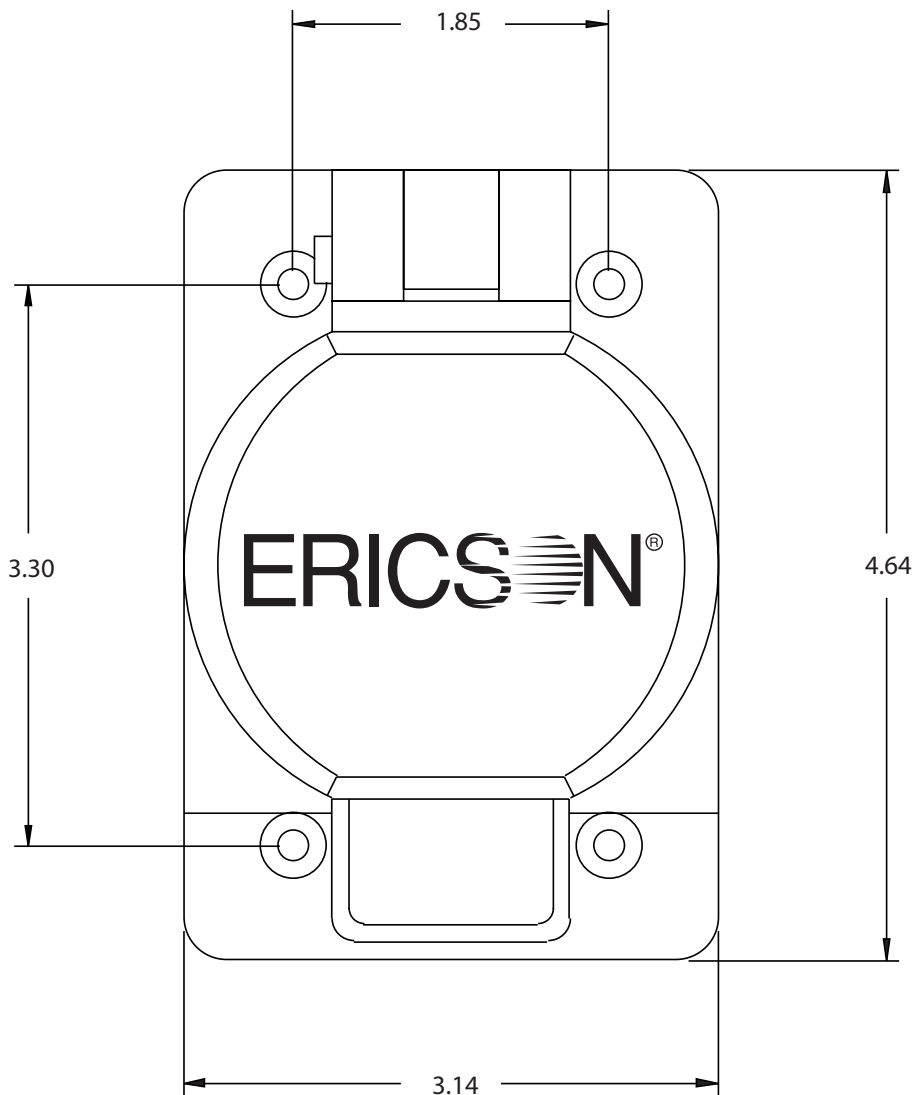


Face View	NEMA Configuration	Electrical Ratings		Catalog Number
		Amps	Volts	
15A Straight Blade & Locking 20A Straight Blade				
Flip Seal Cover w/ weatherproof boot only				2700-FS ⁽¹⁾
	Non-NEMA	10/15 Amp	125/250 Volt	2715-FS07
	5-15	15 Amp	125 Volt	2715-FS10
	5-20	20 Amp	125 Volt	2715-FS12
	6-15	15 Amp	250 Volt	2715-FS14
	6-20	20 Amp	250 Volt	2715-FS16
	L5-15	15 Amp	125 Volt	2715-FS20
	L6-15	15 Amp	250 Volt	2715-FS22
	L7-15	15 Amp	277 Volt	2715-FS24
20A & 30A Locking, 3-Wire				
Flip Seal Cover w/ weatherproof boot only				2800-FS ⁽¹⁾
	L5-20	20 Amp	125 Volt	2820-FS10
	L6-20	20 Amp	250 Volt	2820-FS12
	L7-20	20 Amp	277 Volt	2820-FS14
	Non-NEMA	20 Amp	125/250 Volt	2820-FS16
	Non-NEMA	20 Amp/10 Amp	250 Volt/600 Volt	2820-FS17 ⁽³⁾
	L5-30	30 Amp	125 Volt	2830-FS10
	L6-30	30 Amp	250 Volt	2830-FS12
	L7-30	30 Amp	277 Volt	2830-FS14
	Non-NEMA	30 Amp	125/250 Volt	2830-FS16
20A & 30A Locking, 4-Wire				
Flip Seal Cover w/ weatherproof boot only				2900-FS ⁽¹⁾
	L14-20	20 Amp	125/250 Volt	2920-FS20
	L15-20	20 Amp	250 Volt, 3 Ø	2920-FS22
	L16-20	20 Amp	480 Volt, 3 Ø	2920-FS24
	L14-30	30 Amp	125/250 Volt	2930-FS20
	L15-30	30 Amp	250 Volt, 3 Ø	2930-FS22
	L16-30	30 Amp	480 Volt, 3 Ø	2930-FS24
	L17-30	30 Amp	600 Volt, 3 Ø	2930-FS26
	L18-30	30 Amp	120/208 Volt, 3 Ø wye	2930-FS30
	Non-NEMA	30 Amp	120/208 Volt, 3 Ø wye	2930-FS28

NOTES:

1. Does not include receptacle. Use with standard receptacles of same electrical ratings.
2. For replacement use only, not recommended for new installations

FS Series



Temporary Power

7000 Series Tri-Tap Multiple Outlet Boxes



7000 Series Tri-Tap Multiple Outlet Boxes

- Available in a variety of amperages and voltages
- Standard NEMA configurations insure compatibility with existing equipment
- Molded of rugged thermoplastic elastomer (TPE) to provide maximum resistance to oils, chemical and impact
- Non-conductive housing eliminates possibility of box becoming energized
- Cover plate and non-conductive cord clamp molded from impact and chemical resistant polybutylene terephthalate (PBT)
- Molded of Blue and Radiant Yellow colors for added safety through greater visibility in dull work environments

7000 Series Tri-Tap Multiple Outlet Boxes

Amperage	Voltage	NEMA Config.	Box Only	Factory Wired Boxes			
				#14/3 SOW		#12/3 SOW	
				25'	50'	25'	50'
15	125	5-15	7000	7000-25-4	7000-50-4	7000-25-2	7000-50-2
20	125	5-20	7002	7002-25-4	7002-50-4	7002-25-2	7002-50-2
15	250	6-15	7004	7004-25-4	7004-50-4	7004-25-2	7004-50-2
20	250	6-20	7006	7006-25-4	7006-50-4	7006-25-2	7006-50-2
15	125	L5-15	7008	7008-25-4	7008-50-4	7008-25-2	7008-50-2
20	250	L6-15	7010	7010-25-4	7010-50-4	7010-25-2	7010-50-2
20	125	L5-20	7020	7020-25-4	7020-50-4	7020-25-2	7020-50-2
20	250	L6-20	7022	7022-25-4	7022-50-4	7022-25-2	7022-50-2
20	277	L7-20	7024	7024-25-4	7024-50-4	7024-25-2	7024-50-2

Notes:

1. Add "M" suffix to catalog number to specify GCM, example: 7000-25-2 becomes 7000-25-2M
2. Consult factory for custom assemblies

7000 Series Tri-Tap Multiple Outlet Boxes with GCM

- 15amp straight blade and locking and 20amp straight blade models are available with optional Perma-Watch GCM ground and continuity monitor
- GCM devices monitor line side requirements of OSHA's Assured Equipment Grounding Conductor Program (AEGCP)
- GCM constantly monitors the condition of the grounding continuity and proper wiring
- Simply add the letter "M" to the outlet box catalog number to add the optional GCM



Temporary Power

7000 Series Tri-Tap Outlet Boxes with GFCI Protection



7000 Series Tri-Tap Outlet Boxes with GFCI Protection

- The features of the 7000 series boxes plus GFCI protection for that added degree of safety

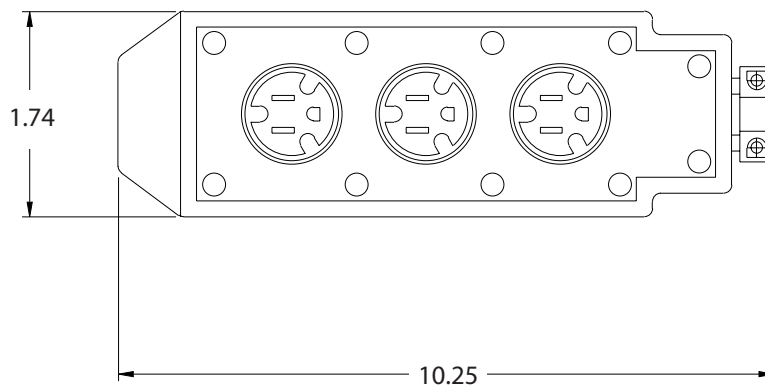
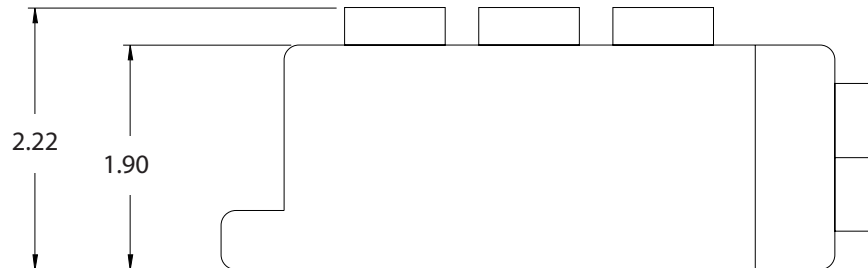
7000 Series Tri-Tap Outlet Boxes with GFCI Protection

Amperage	Voltage	NEMA Config.	GFCI	Factory Wired Boxes			
				#14/3 SJTW		#12/3 SJTW	
				25'	50'	25'	50'
15	125	5-15	In-line	7000-25-4GF	7000-50-4GF		
20	125	5-20	In-line			7002-25-2GF	7002-50-2GF

Notes:

1. Add "M" suffix to catalog number to specify GCM, example: 7000-25-2 becomes 7000-25-2M
2. Consult factory for custom assemblies

7000 Series



Temporary Power

Oscar™ Temporary Power Distribution Centers - 1066 Series

Ericson Manufacturing Company now offers a wide variety of temporary power distribution centers. These products, represented by Oscar™ the Octopus, allow the user to centralize and distribute temporary power safely. The product line consists of standard configurations, which can be customized to suit your needs. ETL listed to UL 1640 Standard for Safety. These safeguards provide protection for you *and* your equipment.

Typical Applications Include:

- Industrial, commercial and residential construction projects
- General maintenance and repair work (MRO) in industrial facilities
- Temporary power distribution at carnivals, circuses, fairs & similar events
- Convention centers to distribute power for exhibitions & maintenance
- Photo studios to distribute power to flash & other photographic equipment



• Unit is field repairable by qualified personnel. Parts list and wiring diagram appear on underside of lid.

• Product label with clear markings for easy identification of model number, serial number and specifications.

Six(6) NEMA 5-20 (20A,125V) straight blade duplex receptacles with circuit breaker and GFCI protection.



Power inlet & outlet clearly marked on lid for quick identification.

Heavy-duty safety, yellow powder-coated enclosure.

Each NEMA 5-20 outlet is individually GFCI protected.

50A, 125/250V power outlet.

Manual power-up GFCIs require user to press reset button upon plug-in, after power loss to prevent accidental equipment start-up and in the event of a ground fault to restore power.

CS6375 50Amp, 125/250V power inlet.

Heavy-duty powder-coated steel skids to insure rugged, dependable jobsite performance.

Threaded studs spot welded to inside of enclosure for mounting GFCIs minimizing screw-heads on outside which reduces number of areas to snag cords & clothing.

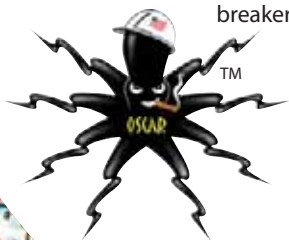
Meets OSHA construction equipment requirements 1926.404(b)(1)(ii)

One(1) NEMA L6-30(30A,250V) locking outlet with circuit breaker protection.

Flip up door protects circuit breakers from damage & the weather.

• A variety of accessories are available.

The 1066FS provides added protection for receptacles with Ericson flip covers



Made in the USA



ERICSON
safety electrical specialties



Temporary Power

Oscar™ Temporary Power Distribution Centers - 1066 Series

1066 Selection Guide

Catalog Number	1066	1066-B	1066FS
Listings	ETL listed to UL 1640	ETL listed to UL 1640	ETL listed to UL 1640
Electrical Rating	50A; 125/250V; 6250W/12500W	50A; 125/250V; 6250W/12500W	50A; 125/250V; 6250W/12500W
Enclosure	Powder Coated	Powder Coated	Powder Coated
Environmental/NEMA Rating	Indoor Use Only	Indoor Use Only	3R
Receptacles			
A Type	5-20 (20A, 125V)	5-20 (20A, 125V)	5-20 (20A, 125V)
Qty.	6	6	6
GFCI Protection	Yes	Yes	Yes
Overload Protection	Yes	Yes	Yes
Flip Covers	No	No	Yes
B Type	L6-30 (30A, 250V)	L6-30 (30A, 250V)	L6-30 (30A, 250V)
Qty.	1	1	1
GFCI Protection	No	Yes	No
Overload Protection	Yes	Yes	Yes
Flip Covers	No	No	No
Power Inlet	CS6375 (50A,125/250V)	CS6375 (50A,125/250V)	CS6375 (50A,125/250V)
Flip Cover	No	No	No
Power Outlet	CS6369 (50A,125/250V)	CS6369 (50A,125/250V)	CS6369 (50A,125/250V)
Flip Cover	Yes	Yes	Yes
Weight (lbs.)	34	34	34
Dimensions	22.5"L x 16.25"W x 11.75"H	22.5"L x 16.25"W x 11.75"H	22.5"L x 16.25"W x 11.75"H

1. Contact factory for custom assemblies



Accessories Selection Guide

Cat. Number	Description
63DS0 ⁽¹⁾	Cord set, 100', #6/3 - 8/1 SO 50A 125V/250V
63BS0 ⁽¹⁾	Cord set, 50', #6/3 - 8/1 SO 50A 125V/250V
SR50	Power Outlet Receptacle in weatherproof box with lift cover and 24" leads 50A, 125V/250V

⁽¹⁾ Also available as a secondary cable assembly - cord with connector only - to hard wire into your power source.

Temporary Power

Oscar™ Temporary Power Distribution Centers - 1067 Series

Typical Applications Include:

- Industrial, commercial and residential construction projects
- General maintenance and repair work (MRO) in industrial facilities
- Temporary power distribution at carnivals, circuses, fairs & similar events
- Convention centers to distribute power for exhibitions & maintenance
- Photo studios to distribute power to flash & other photographic equipment



- Unit is field repairable by qualified personnel. Parts list and wiring diagram appear on underside of lid.



CS6369
50A,
125/250V
power outlet.

Power inlet & outlet clearly marked on lid for quick identification.

Heavy-duty safety, yellow powder-coated enclosure provides NEMA 3R weather resistance protection for circuitry.

Each NEMA 5-20 outlet is individually GFCI protected.

Yellow flip seal covers are labeled for quick identification of electrical ratings.

Input power diagnostic module (IPDM), adjacent to power inlet, provides visual indication of supply power status - easy to read chart for quick reference. Standard on all models and field replaceable.

CS6375 50Amp, 125/250V power inlet.

Heavy-duty powder-coated steel skids to insure rugged, dependable jobsite performance.

6" tall to meet NEC code.

Meets OSHA construction equipment requirements 1926.404(b)(1)(ii)

Flip up door protects circuit breakers from damage & the weather.

Polycarbonate window allows you to quickly see status of each circuit breaker.

Meets NEC code article 525 & 527

Exclusive voltage monitor modules (VMM) continuously monitors voltage - if supply voltage falls outside of safe operating range VMM disconnects power to GFCIs/outlets.

Manual power-up GFCIs require user to press reset button upon plug-in, after power loss to prevent accidental equipment start-up and in the event of a ground fault to restore power.

Threaded studs spot welded to inside of enclosure for mounting GFCIs minimizing screw-heads on outside which reduces number of areas to snag cords & clothing.



Made in the USA



ERICSON
safety electrical specialties



Temporary Power

Oscar™ Temporary Power Distribution Centers - 1067 Series

1067 Selection Guide

Catalog Number	1067	1067-A	1067-B	1067-C
Listings	ETL Listed to UL 1640	ETL Listed to UL 1640	ETL Listed to UL 1640	ETL Listed to UL 1640
Electrical Rating	50A; 125/250V; 6250W/12500W	50A; 125/250V; 6250W/12500W	50A; 125/250V; 6250W/12500W	50A; 125/250V; 6250W/12500W
Enclosure	Powder Coated	Powder Coated	Powder Coated	Powder Coated
Environmental/NEMA Rating	NEMA 3R	NEMA 3R	NEMA 3R	NEMA 3R
Input Power Diagnostic Module (IPDM)	Yes	Yes	Yes	Yes
Voltage Monitor Module (VMM)	Yes	Yes	Yes	Yes
Receptacles				
A Type	5-20 (20A, 125V)	L5-20 (20A, 125V)	5-20 (20A, 125V)	L5-20 (20A, 125V)
Qty.	6	6	6	6
GFCI Protection	Yes	Yes	Yes	Yes
Overload Protection	Yes	Yes	Yes	Yes
Flip Covers	Yes	Yes	Yes	Yes
B Type	L6-30 (30A, 250V)	L6-30 (30A, 250V)	L6-30 (30A, 250V)	L6-30 (30A, 250V)
Qty.	1	1	1	1
GFCI Protection	No	No	Yes	Yes
Overload Protection	Yes	Yes	Yes	Yes
Flip Covers	Yes	Yes	Yes	Yes
Power Inlet	CS6375 (50A,125/250V)	CS6375 (50A,125/250V)	CS6375 (50A,125/250V)	CS6375(50A,125/250V)
Flip Cover	Yes	Yes	Yes	Yes
Power Outlet	CS6369 (50A,125/250V)	CS6369 (50A,125/250V)	CS6369 (50A,125/250V)	CS6369(50A,125/250V)
Flip Cover	Yes	Yes	Yes	Yes
Weight (lbs.)	37	37	37	37
Dimensions	22.5"L x 16.25"W x 11.75"H	22.5"L x 16.25"W x 11.75"H	22.5"L x 16.25"W x 11.75"H	22.5"L x 16.25"W x 11.75"H

1. Contact factory for custom assemblies



Accessories Selection Guide

Cat. Number	Description
63DSO ⁽¹⁾	Cord set, 100', #6/3 - 8/1 SO 50A 125V/250V
63BSO ⁽¹⁾	Cord set, 50', #6/3 - 8/1 SO 50A 125V/250V
SR50	Power Outlet Receptacle in weatherproof box with lift cover and 24" leads 50A, 125V/250V

⁽¹⁾ Also available as a secondary cable assembly - cord with connector only - to hard wire into your power source.

Temporary Power

Oscar™ 2 Expo Series Temporary Power Distribution Centers

When you need a temporary power distribution box that will meet your requirements, look to the Oscar™ 2 Series from Ericson. The flexible design platform of the new Oscar™ 2 allows you to configure a Temporary Power Distribution Center that is right for you. The Oscar™ 2 Expo Series picks up where the 1066/1067 leaves off.

Typical Applications Include:

- Convention Centers
- Outdoor Events • Festivals • Carnivals, etc.
- Concerts
- Stage & Studio

Ericson exclusive IPDM (input power diagnostic module) monitors incoming power & tests for 7 commonly found wiring problems & provides visual indication of power status with easy to read LEDs



Smoke clear removable top enables visual inspection without entering the panel

Two side panels accommodate a wide range of devices

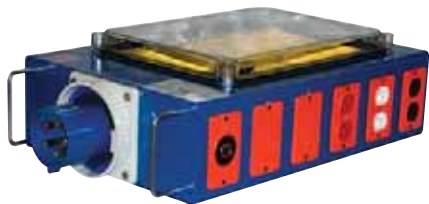
125A, 120/208V, 4P5W, IEC309 power inlet shown

Front & rear panels accommodate a wide range of standard devices

Other power input options include single-phase and CAM type devices

Up to 19 available slots accommodate a variety of devices

Custom Oscar™ 2 Expo Series with color-coded duplex receptacles



Custom OS2E-060XP-C-NL with color-coded duplex receptacles

Optional removable leg assemblies enable the panel to be used in a variety of configurations



OS2E-03-100XC-C-NL



Made in the USA

100

ERICSON
safety electrical specialties



Call Toll-Free 1-800-ERICSON (374-2766)

Temporary Power

Oscar™ 2 Expo Series Temporary Power Distribution Centers

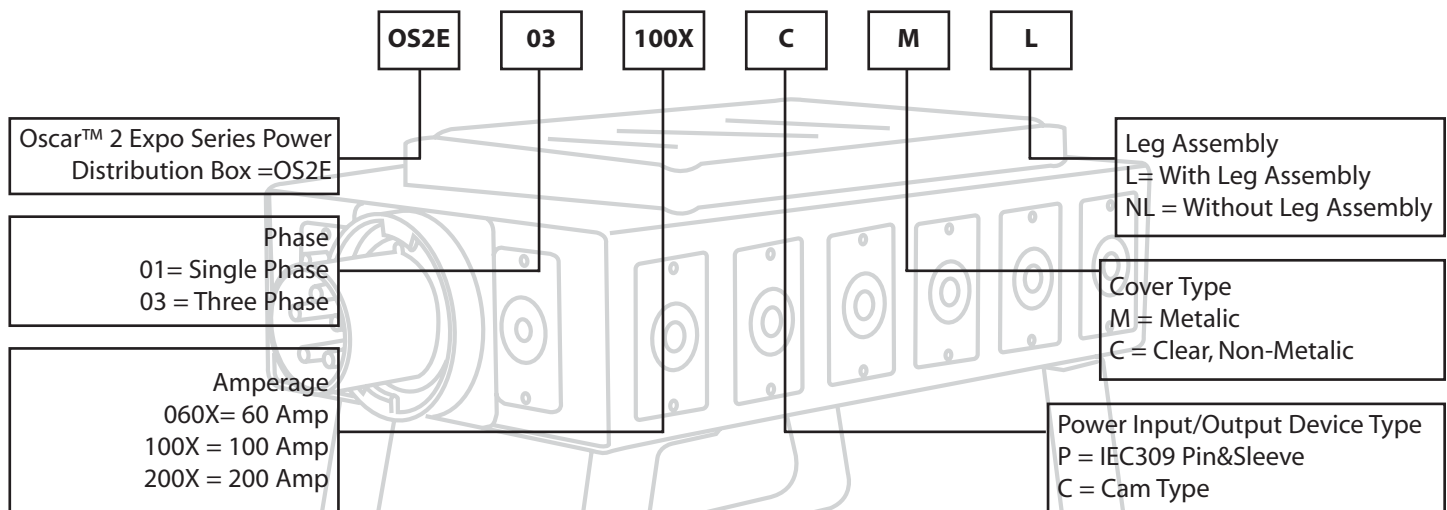
Oscar™ 2 Expo Series Selection Guide

Catalog Number	Description	Amps	Input	Receptacles				
				Single Outlets	Type	Overload Protected	Volts	Amps
60 Amp Boxes								
OS2E-03-060XP-C-NL	Temporary Power Distribution Center	60A	3-Phase, 4P5W, 120/208Y, IEC309 Pin & Sleeve	9 ⁽¹⁾	5-20	Yes	125	20
				1	L21-20	Yes	120/208	20
100 Amp Boxes								
OS2E-03-100XP-M-L	Temporary Power Distribution Center	100A	3 PH 4P5W, 120/208V, IEC309 Pin & Sleeve	12	5-20	Yes	125	20
				2	L21-20	Yes	120/208	20
OS2E-03-100XC-C-NL	Temporary Power Distribution Center	100A	3-Phase, 4-Pole, 5-Wire, 120/208Y	6	L21-20	Yes	120/208V	20
			(5) 100A Cam-lok panel mount: (1) Black (1) Red (1) Blue (male) (1) Green (1) White (female)					

Notes:

1. Outlets are color-coded by phase-3 per phase
2. Contact the factory for custom assemblies.

Oscar™ 2 Expo Series Catalog Number Structure



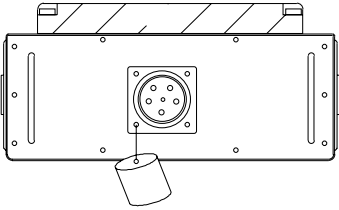
Temporary Power

Oscar™ 2 Expo Series Temporary Power Distribution Centers

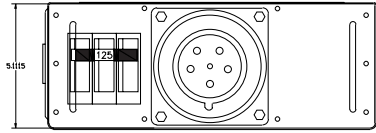
OSCAR™ 2 Expo Series Idea Portfolio

Below show a few of the virtually infinite number of configurations that are available.

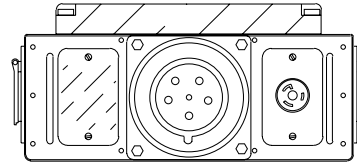
Input Power Panel



Military style cylindrical power inlet

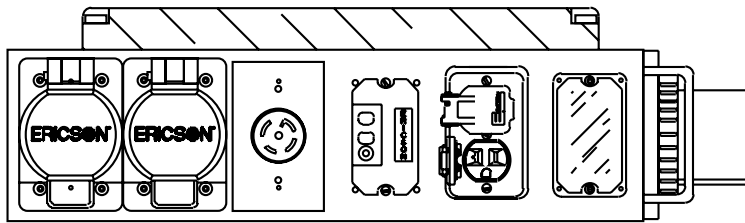


IEC 309 power inlet with main breaker option

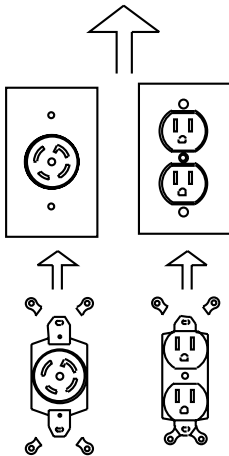


IEC 309 power inlet with receptacle option

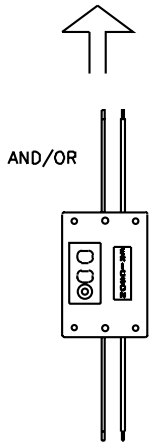
Side Panels



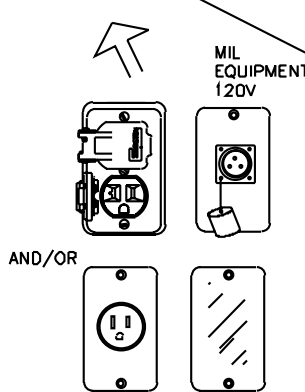
ERICSON "FS" FLIP AND RECEPTACLES
See page 92



COMMERCIAL OFF-THE-SHELF COVERS, FLIPS AND RECEPTACLES (SINGLE GANG)



ERICSON 1075 GFCI MODULE WITH TRUE OPEN NEUTRAL PROTECTION
See page 163



ERICSON 6100 SERIES FLIPS AND RECEPTACLES
See page 157

Side Panel Features:

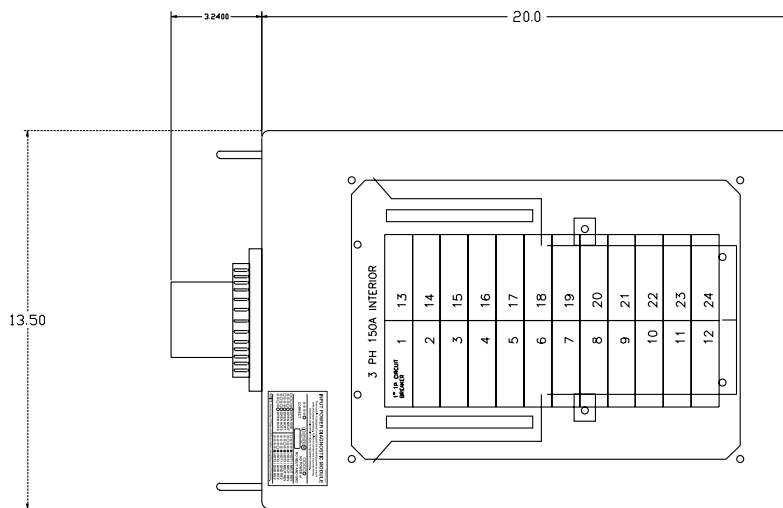
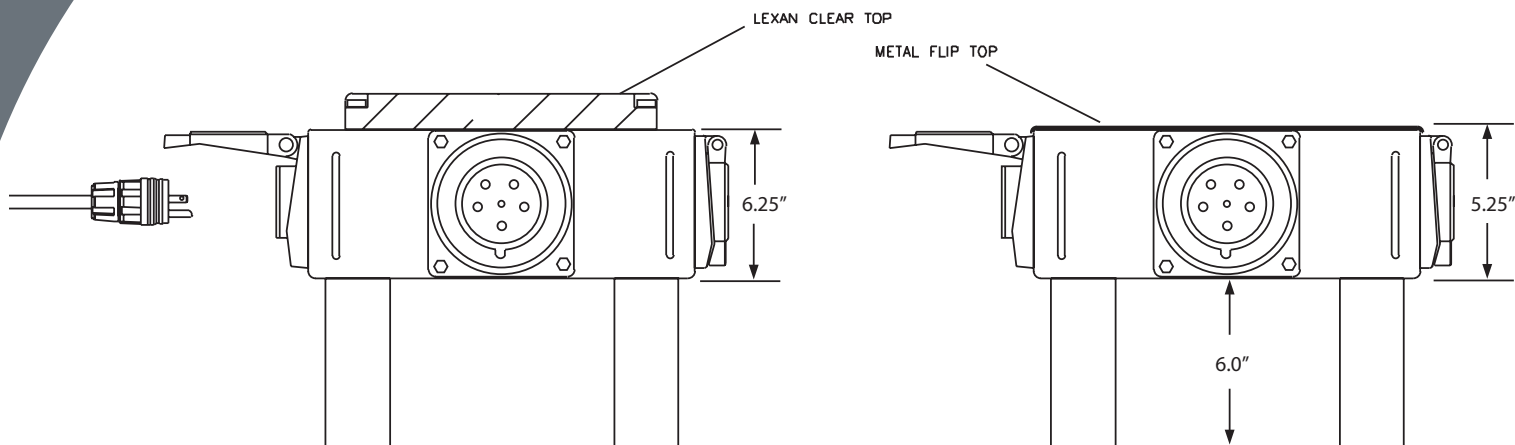
- Mounting of 6 standard metal or plastic plates with receptacles or blank plates.
- Custom plates also available for special non-standard industrial or military connectors
- Can also use Ericson "FS" flip covers or the complete line of Ericson plastic receptacle covers (6100 series)

Temporary Power

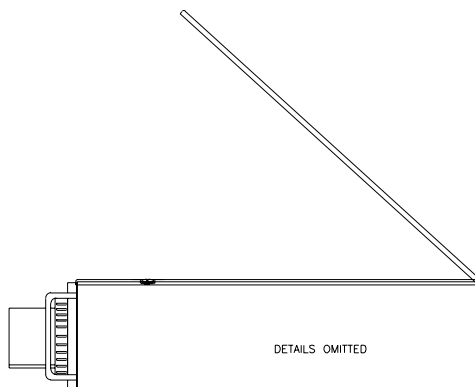
Oscar™ 2 Expo Series Temporary Power Distribution Centers

Top

Available with smoke clear see-through cover or low profile metal flip top.



TOP VIEW

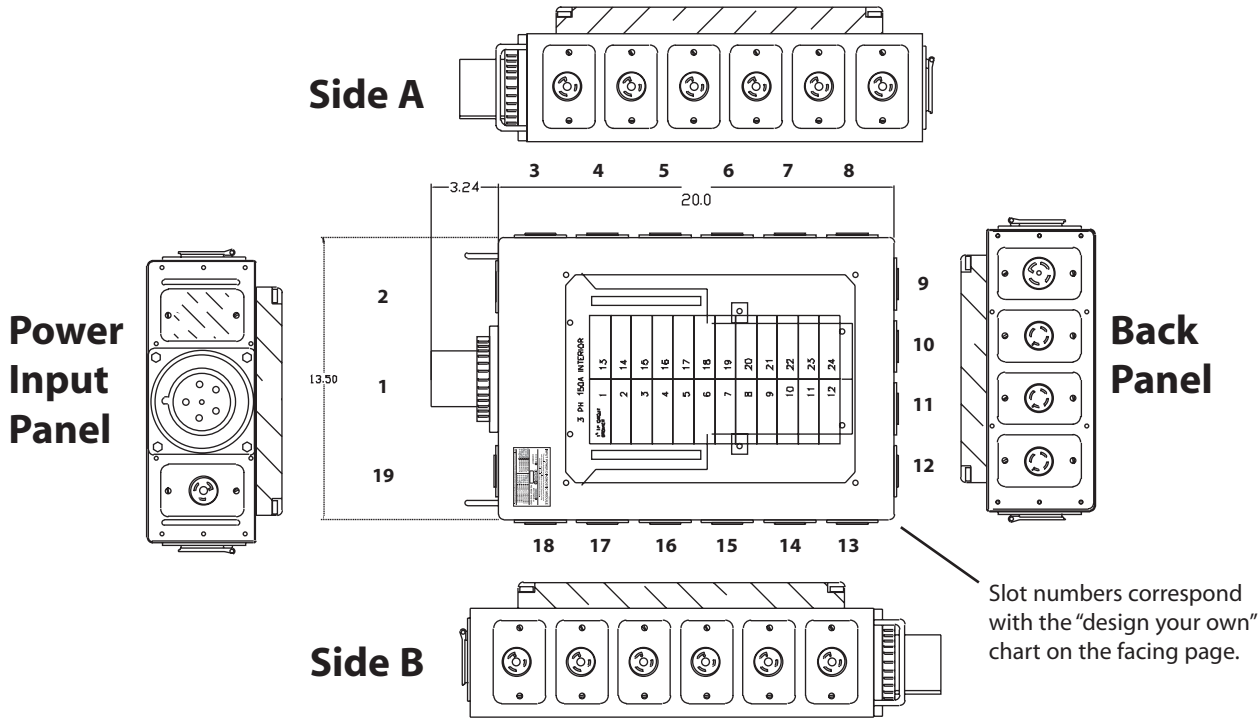


Temporary Power

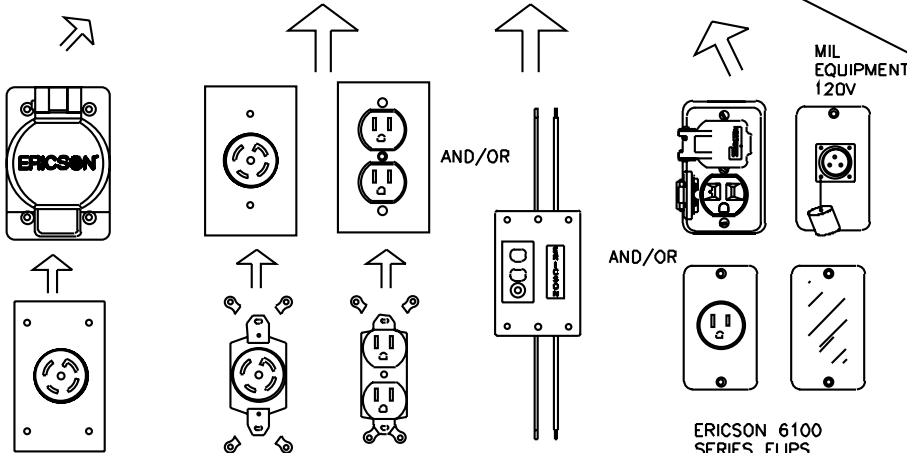
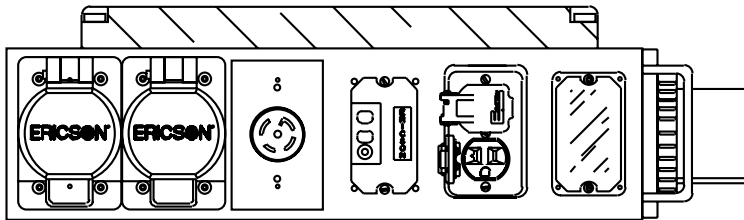
Oscar™ 2 Expo Series Temporary Power Distribution Centers

Custom Product Work Sheet

Use this page to create your custom OSCAR™2 EXPO box. Fill in the blanks and fax to the factory at 440-951-1867



Side Panels



ERICSON "FS" FLIP AND RECEPTACLES
See page 92

COMMERCIAL OFF-THE-SHELF COVERS, FLIPS AND RECEPTACLES (SINGLE GANG)

ERICSON 1075 GFCI MODULE WITH TRUE OPEN NEUTRAL PROTECTION
See page 163

ERICSON 6100 SERIES FLIPS AND RECEPTACLES
See page 157

Side Panel Features:

- Mounting of 6 standard metal or plastic plates with receptacles or blank plates.
- Custom plates also available for special non-standard industrial or military connectors
- Can also use Ericson "FS" flip covers or the complete line of Ericson plastic receptacle covers (6100 series)

Temporary Power

Oscar™ 2 Expo Series Temporary Power Distribution Centers

Oscar 2 Expo Box Custom Products Worksheet

Use this worksheet to specify your custom-built Oscar 2 Expo Box. Since not all combinations of options are available, this worksheet is intended to serve as a starting point in helping you specify the Custom Box that is right for you.

Slot numbers 1-19 in the chart below correspond to the available openings in the Oscar 2 Expo Box as shown on the facing page. For example: Slot 1 is designated as the Primary Power Input Slot.

STEP 1: Configure Input Power Panel: Choose your power input device using the INPUT POWER OPTIONS charts below.

STEP 2: Configure SIDE A & SIDE B Panels: Choose devices such as 15A/120V outlets, 1075 Panel Mount GFCIs & 6100 Series Flip Covers

STEP 3: Configure Back Panel: Choose devices such as Feed-Thru Connector, additional outlets or blank.

STEP 4: Fax to the factory at 440-951-1867. A sales representative will contact you to discuss your requirements.

Input Power Options		
Single Phase Power Input		
INLET	240V 1 PHASE INLETS	Max No. & Amp Rating of Receptacles**
50A	50A L21-50 TWISTLOCK W/O MCB	6/20A & 1/30A OR 7/20A
50AM	50A L21-50 TWISTLOCK WITH MCB (Requires Slots 1 & 2)	6/20A & 1/30A OR 7/20A
60AI	60A IEC309 STYLE W/O MCB	8/20A & 1/30A OR 10/20A
60AIM	60A IEC309 STYLE WITH MCB (Requires Slots 1 & 2)	8/20A & 1/30A OR 10/20A
125AI	100/125A IEC 309 STYLE W/O MCB	10/20A & 1/30A OR 12/20A
125AIM	100/125A IEC 309 STYLE WITH MCB (Requires Slots 1 & 2)	10/20A & 1/30A OR 12/20A
150ACL	150A CAMLOCKS (L1,L2,N,G) (Requires Slots 1, 2 & 19)	14/20A & 1/30A OR 16/20A
___ AL	OTHER	
** RECEPTACLE COUNT DEPENDENT ON GFI TYPE SELECTION		
Three Phase Power Input		
INLET	120/208v 3 PHASE	Max No. & Amp Rating of Receptacles**
60AI	60A IEC309 STYLE W/O MCB	10/20A 1PH & 1/20A 3PH OR 12/20A 1PH
60AIM	60A IEC309 STYLE WITH MCB (Requires Slots 1 & 2)	10/20A 1PH & 1/20A 3PH OR 12/20A 1PH
125AI	100/125A IEC 309 STYLE W/O MCB	14/20A 1PH & 1/20A 3PH OR 14/20A 1PH
125AIM	100/125A IEC 309 STYLE WITH MCB (Requires Slots 1 & 2)	14/20A 1PH & 1/20A 3PH OR 14/20A 1PH
100AMIL	100A MIL CLASS L W/O MCB	12/20A 1PH & 1/20A 3PH OR 14/20A 1PH
100AMILM	100A MIL CLASS L WITH MCB (Requires Slots 1 & 2)	12/20A 1PH & 1/20A 3PH OR 14/20A 1PH
150ACL	150A CAMLOCKS (L1,L2,L3,N,G) (Requires Slots 1, 2 & 3)	14/20A 1PH & 1/20A 3PH OR 18/20A 1PH
___ AL	OTHER	
** RECEPTACLE COUNT DEPENDENT ON GFI TYPE SELECTION		

Step 1

DESIGN YOUR OWN	
STEP 1: Input Power Panel (Select option number from chart above)	
Slot	Device
1	(Enter inlet type code from above chart)
2	
19	
STEP 2: Side Panel A (See chart for max number and type of receptacles)	
3	
4	
5	
6	
7	
8	
STEP 2: Side Panel B (See chart for max number and type of receptacles)	
9	
10	
11	
12	
STEP 3: Back Panel (See chart for max number and type of receptacles)	
13	
14	
15	
16	
17	
18	

Step 2

Step 3

EXAMPLE	
Slot	Device Description
1	60AI
2	Blank
19	Blank
3	5-15 Duplex Receptacle
4	GFCI w/ open-neutral for slot #3
5	5-15 Duplex Receptacle
6	Blank
7	L5-15 Single Receptacle
8	GFCI w/ open-neutral for slot #7
9	Blank
10	Blank
11	Blank
12	Blank
13	L21-30
14	Blank
15	L21-30
16	Blank
17	L21-30
18	Blank

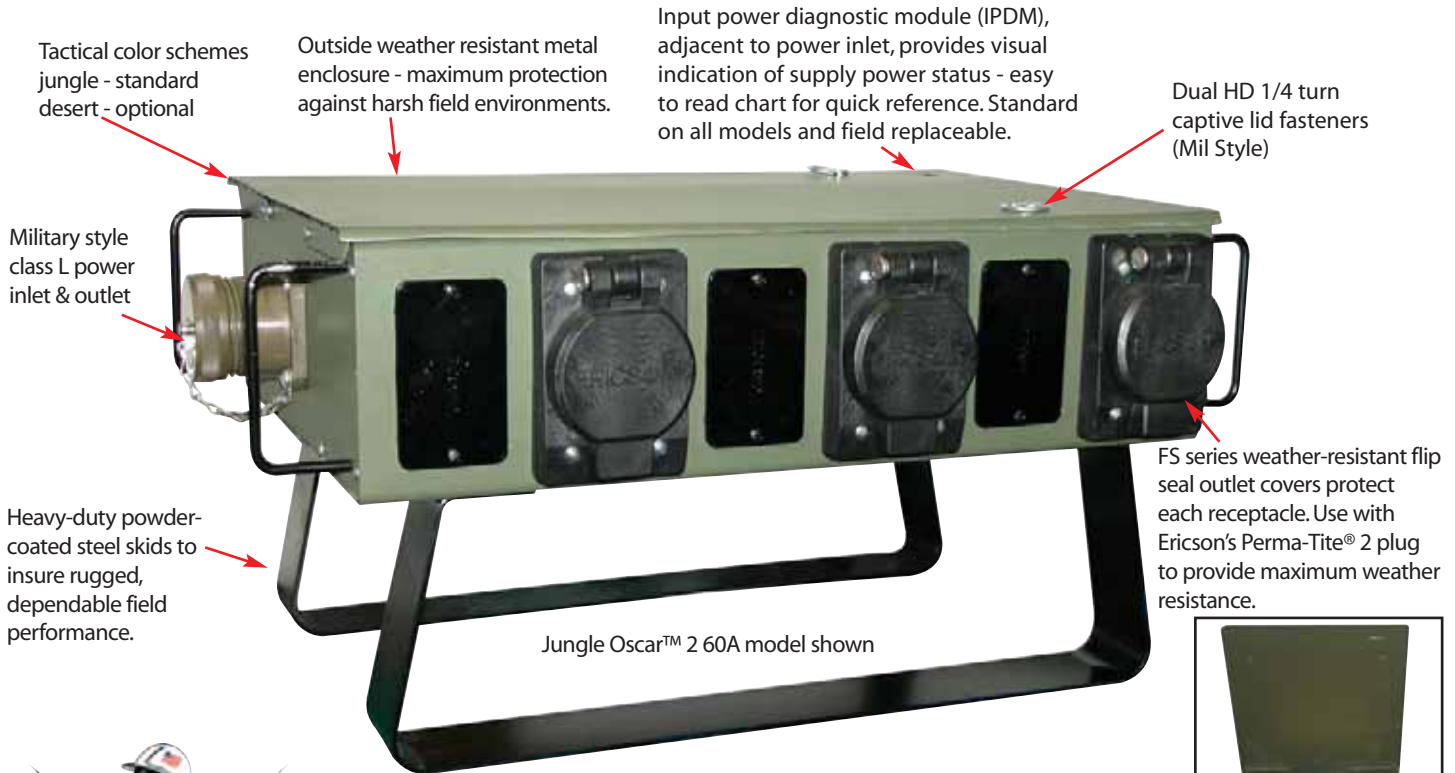
Temporary Power

Oscar™ 2 Tactical Temporary Power Distribution Center

Ericsons new Oscar™ 2-Tactical Temporary Power Distribution Center is built to Military Requirements. Based on the award-winning Oscar™ box, the Oscar™ 2 has been customized to meet the demands of Military personnel. It features a military style Class L Inlet and Feed thru, Ericson exclusive Input Power Diagnostic Module (IPDM) and both GFCI and non-GFCI outlets.

Tactical Oscar™ 2

1. Military style class L inlet & feed through (60 or 100 Amp, 3ph or 1ph)
 - Earth ground lug
 - Tactical color schemes (desert or jungle)
2. Indoor & outdoor use- wet or dry locations
 - Enclosure rated NEMA Type 3R- rainproof, suitable for use in damp locations
3. IPDM indicator lights are recessed for tactical situations



Made in the USA

Customize the Oscar™ 2 Tactical to fit your requirements.

- A variety of options are available:
- Receptacles
 - GFCIs
 - Flip Covers
 - Mil Style Connectors
 - And more...



Selection Guide

Electrical Rating	Device	Ratings	Qty.	Protection		Catalog Number
				Overload	GFCI	
60A, 3-phase, 120/208V AC	Single Outlet Straight Blade Receptacle	NEMA 5-20, 20A/125V	6	Yes	Yes(1)	OS2T-SB
	Class "L" Inlet	60A, 3-phase Y, 120/208V	1	No	No	
	Class "L" Outlet	60A, 3-phase Y, 120/208V	1	No	No	
60A, 3-phase, 120/208V AC	Single Outlet Locking Receptacle	NEMA L5-20, 20A/125V	6	Yes	Yes(1)	OS2T-LK
	Class "L" Inlet	60A, 3-phase Y, 120/208V	1	No	No	
	Class "L" Outlet	60A, 3-phase Y, 120/208V	1	No	No	

Notes:

1. GFCI protection on 4 devices only
2. Contact factory for custom assemblies

Temporary Power

Oscar™ 2 Tactical Temporary Power Distribution Center



A variety of custom configurations are available. Contact the factory to find out more.



Oscar™ 2 Tactical Cord Sets Selection Guide

Description	Rating	Catalog Number
Cordset, 50ft., #8/5	60A, 120/208V	85BSO
Cordset, 100ft., #8/5	60A, 120/208V	85DSO



Made in the USA

Temporary Power

e-Cart™ Jr. - Mobile Temporary Power Distribution Cart

Ericson e-Carts™ allow you to save time and money! These assembled units eliminate the need to spend valuable job time piecing together temporary power panels so you increase productivity...You get in, do the work, move to the next job project faster. You're able to do more projects and generate more revenue while saving time and money!

e-Cart Jr.™ Mobile Temporary Power Distribution Cart

- Factory assembled to meet the most demanding temporary power applications
- Heavy-duty steel cart features easy-rolling wheels
- Three-phase or single-phase 15kVA NEMA 3R 480V, 60Hz encapsulated transformer
- NEMA 3R load center with six 20A GFCI breakers
- NEMA 3R fused primary disconnect switch
- Operate six 120V, 20Amp devices simultaneously at full-load with the 15kVA transformer
- Unit comes standard with six 120V, 20Amp Perma-Tite® connectors
- Applications include temporary power at construction sites, convention centers, MRO work, carnivals, circuses, fairs and similar events



Create your own e-Cart Jr.

Ericson's flexible design platform allows you to include a variety of options tailored to your applications:

Options include:

- Single phase transformers provide 120/240V output only
- Three phase transformers provide 120Y/208V output only
- Transformers are available in other primary voltages
- 1-pole, 2-pole or 3-pole circuit breakers. GFCI or Non-GFCI
- Single phase or three phase output pigtails

For example the photo below shows an e-Cart Jr.™ with flip-covered dual outlets.

Contact the factory today to see how we can develop the temporary power distribution cart that's right for you.



Actual cart may differ from photo shown.

Selection Guide

Catalog Number	Description
EJR 480V3-06 WL-15K	e-Cart™, Jr. Frame, 480V 3Ph, 120Y/208V, (6)5-20 PW Conn., 15kVA
EJR 480V1-06 WL-15K	e-Cart™, Jr. Frame, 480V 1Ph, 120/240V, (6)5-20 PW Conn., 15kVA

1. Contact factory for custom assemblies

Temporary Power

e-Cart™ Jr. - Mobile Temporary Power Distribution Cart

Fill in the boxes below and fax to the factory or your local representative for your quote.

Typical Catalog Number & Description:

EJR480V3-06WL-15K_e-Cart, Jr. Frame, 480V, 3 Ph, (6) 5-20R PW Conns, 15kVA

	EJR			06			
Catalog Number Structure:	EJR	480V	3	06	W	L	15K

- EJR: e-Cart™ Mobile Temporary Power Distribution Center, Jr. Frame**
- Input Voltage:**
240V
480V
600V
- Input Voltage Phase Spec:**
1= Single-Phase
3= 3-Phase
- Number of Receptacles:**
06 (Standard)
- Receptacle Type: (NEMA 5-20, 125V-20A Std.)**
M= GCM Pigtails (1612-CM)
G= PG Pigtails (1612-PG)
W=Perma-Tite® Pigtails (1612-PW6P)
- Load Center:**
L = Main Lug (Standard)
B = Main Breaker (Optional)
- Transformer:**
15K 15kVA (Standard)

Notes:

- 1 Not all combinations possible
- 2 Contact Factory for Custom Assemblies at 1-800-ERICSON (374-2766)

Company: _____

Name: _____

Title: _____

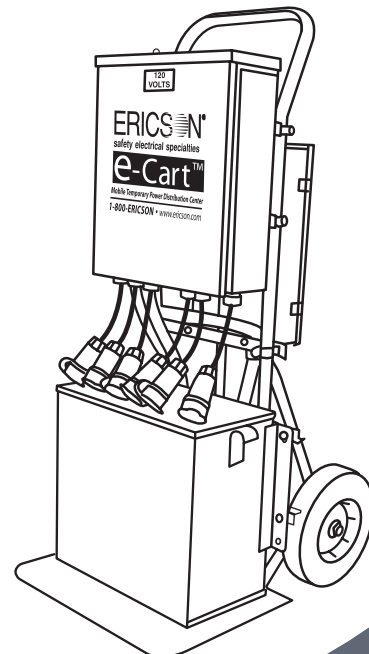
Address: _____

City _____ State _____ Zip _____

Phone: _____

Fax: _____

E-mail: _____



Temporary Power

e-Cart™ - Mobile Temporary Power Distribution Cart

Ericson e-Carts™ allow you to save time and money! These assembled units eliminate the need to spend valuable job time piecing together temporary power panels so you increase productivity...You get in, do the work, move to the next job project faster. You're able to do more projects and generate more revenue while saving time and money!

e-Cart™ Mobile Temporary Power Distribution Cart

- Factory assembled to meet the most demanding temporary power applications
- Cart is equipped with accessory hooks for mounting and storing power cables
- Heavy-duty, powder-coated steel cart features easy-rolling wheels
- Three-phase or single-phase NEMA 3R ventilated transformer
- NEMA 3R load center with GFCI breakers, sized per transformer
- NEMA 3R fused primary disconnect switch, sized per transformer
- Standard cart accommodates up to a 45kVA transformers
- Applications include temporary power at construction sites, convention centers, MRO work, carnivals, circuses, fairs and similar events



NEW!

WORKING WITH CONTRACTORS TO LOWER COST AND RAISE PRODUCTIVITY!

Create your own e-Cart

Ericson's flexible design platform allows you to include a variety of options tailored to your applications:

Options include:

- Single phase transformer sizes 15, 25, or 37.5 kVA. Single phase transformers provide 120/240V output only
- Three phase transformer sizes 15, 30, or 45 kVA. Three phase transformers provide 120Y/208V output only
- Most transformers available in other primary voltages
- Receptacle enclosure available in lieu of output pigtails. Enclosure provided with up to 12 covered or uncovered receptacles of your choice. More than 1 enclosure possible per cart. Also available: Pin & Sleeve style, Cam-Lok & more
- Zinc galvanized frame instead of powder coated available
- 1-pole, 2-pole or 3-pole loadcenter breakers available, depending on transformer. GFCI or Non-GFCI
- Loadcenter main breaker available
- Rainshield Roof available
- Fused NEMA 3R secondary disconnects available

For example the photo below shows an e-Cart™ with a 30kVA transformer, circuit breaker panel & custom fabricated enclosure with (9) NEMA 5-20 outlets with FS covers.

Contact the factory today to see how we can develop the temporary power distribution cart that's right for you.




Made in the USA

Selection Guide

Catalog Number	Description
EIN 480V3-12ML - 30-K	e-Cart™, Industrial frame 480V 3PH (12) 5-20 GCM Conns. 30kVA

1. Contact factory for custom assemblies

Single phase transformers		Three Phase transformer	
Size	No. 20A recepts	Size	No. 20A recepts
15 kVA	Up to 6	15kVA	Up to 6
25 kVA	Up to 10	30kVA	Up to 12
37.5 kVA	Up to 14	45 kVA	Up to 18

For number of 15A receptacles available, multiply above quantity by 1.33

ERICSON
safety electrical specialties

Call Toll-Free 1-800-ERICSON (374-2766)

Temporary Power

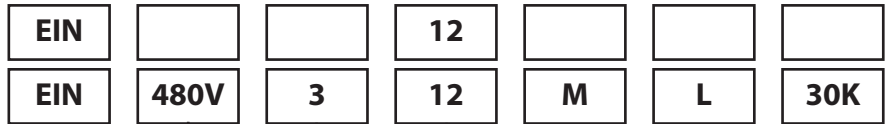
e-Card™ - Mobile Temporary Power Distribution Cart

Fill in the boxes below and fax to the factory or your local representative for your quote.

Typical Catalog Number & Description:

EIN480V3-12ML-30K e-Card™, Ind'l Frame, 480V, 3 Ph, (12) 1612-CM, ML, 30kVA

Catalog Number Structure:



1 EIN: e-Card™ Mobile Temporary Power Distribution Center, Industrial Frame

2 Input Voltage:
 208V
 240V
 480V
 600V

3 Input Voltage Phase Spec:
 1 = Single-Phase
 3 = 3-Phase

4 No. of Receptacles:
 01-14 for Single-Phase Input Power
 01-18 for 3-Phase Input Power

5 Receptacle Type: (NEMA 5-20, 125V/20A Std.)
 F = FS Covers (2715-FS12)
 M = GCM Pigtailed (1612-CM)
 G = PG Pigtailed (1612-PG)
 W = Perma-Tite Pigtailed (1612-PW)

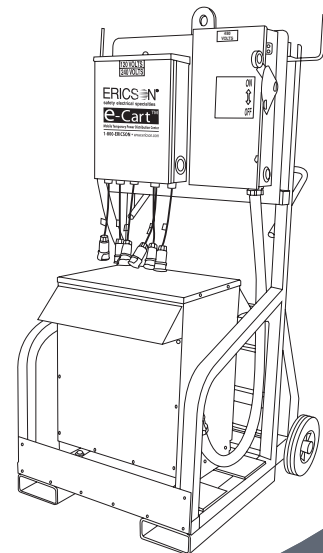
6 Load Center:
 L = Main Lug (Standard)
 B = Main Breaker (Optional)

7 Transformer:
 25K 25kVA
 30K 30kVA
 37K 37kVA
 45K 45kVA

Notes:

- 1 Not all combinations possible
- 2 Contact Factory for Custom Assemblies at 1-800-ERICSON (374-2766)

Company: _____
 Name: _____
 Title: _____
 Address: _____
 City _____ State _____ Zip _____
 Phone: _____
 Fax: _____
 E-mail: _____



Temporary Power

CP Series Cable Protectors

NEW!

Now available from Ericson Manufacturing Company...

Protect expensive cables from foot-traffic and equipment damage while eliminating tripping hazards caused by cables with Ericson's CP Series Cable Protectors. Made from UV Stabilized Polyurethane, for its resilience, hardness and impact resistance for demanding environments.

Applications Include: • Conventions • Special Events • In-Plant Use • Jobsites

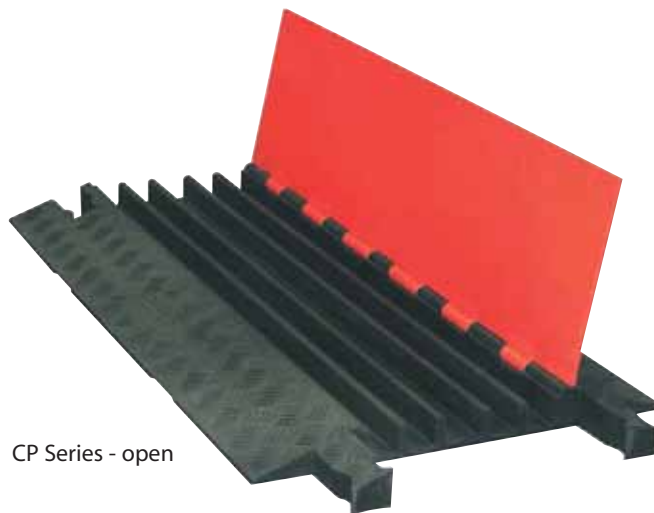
Features:

- Large capacity 5-slot linear sections and fittings
- Rounded dividers protect cables from snags and tears
- "Dog Bone" connectors are compatible with other cable protector brands
- Hinged lid for easy loading
- Reduces downtime & expensive cable repairs or replacement
- 5-bar tread plate surface for increased traction
- Components to fit any protection need
- Easy set-up and take-down
- Compact design for easy handling and storage

**Ideal For
Temporary
Cable &
Hose Runs**



CP Series

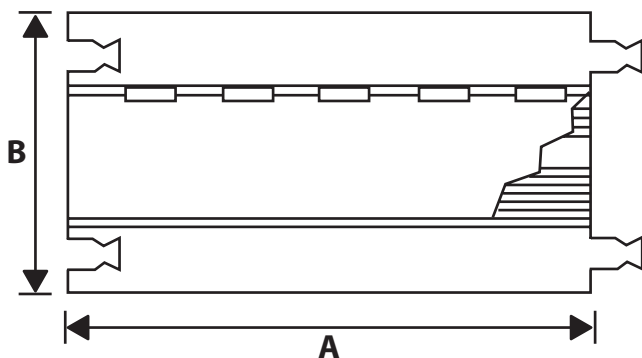


CP Series - open

Selection Guide

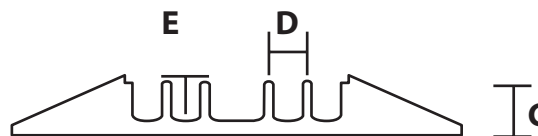
Cat. No.	Description	A-Length	B-Width	C-Height	D-Channel Width	E-Channel Ht.	Weight
CP5-36	5-slot, 36" straight section	36" (914.4 mm)	19.75" (501.7 mm)	1.875" (47.6 mm)	1.339" (34.0 mm)	1.325" (33.65 mm)	19.5 lbs (8.85 kg)

- Material:** UV Stabilized Polyurethane
- Hinge Pin Material:** Reinforced Fiberglass
- Operating Temperature Range:** -40 °F to +120 °F (-40 °C to +49 °C)
- Maximum Load per Axle:** 10,500 lbs. At 70 °F (4,763 kg. At 21 °C)



Extra Wide Center Channel!

Note: Center channel width = 1.704" (43.3 mm)

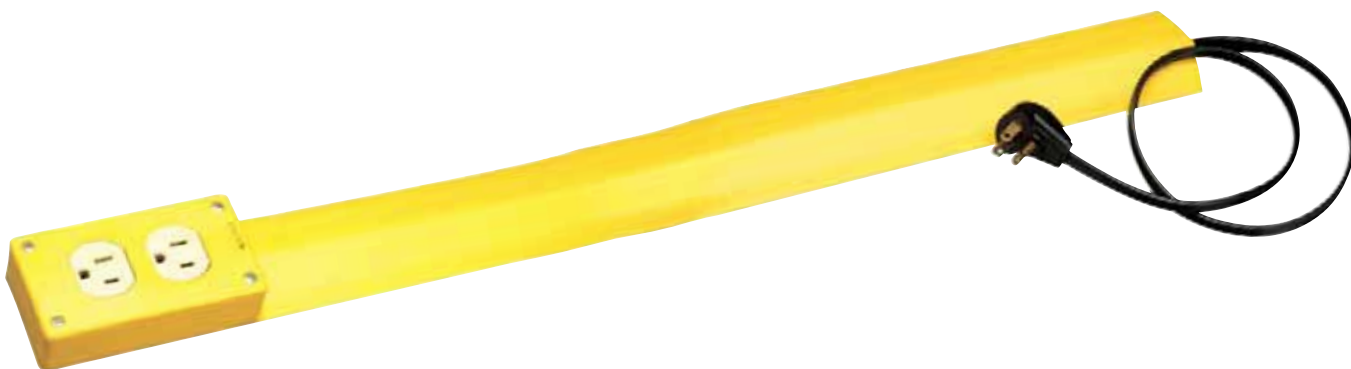


Temporary Power

Over-The-Floor Power Duct

Over-The-Floor Power Duct

- Low-profile cable duct lays flat and provides an economical means of supplying power where needed.
- Helps to eliminate hazards of unsafe extension cord strung over floor. Hugs the floor, protects against tripping.
- Facilitates any possible arrangement of desks, machines and equipment to produce the most efficient use of available space.
- Safe, moisture resistant, non-conductive and fire resistant.
- Durable, highly resistant to abrasion, withstands heavy traffic, even with repeated passes of wheeled equipment.
- Preassembled cable duct is furnished with duplex (U-Ground) receptacle wired to No. 16/3 conductor cord. Two foot pigtail with right angle plug for connecting to wall outlet.
- Available in either yellow or beige color.



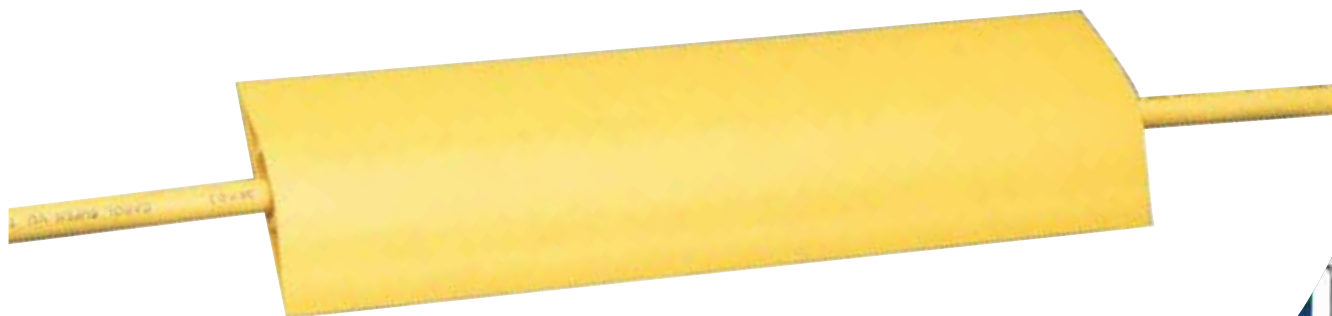
Selection Guide

Duct Length	Catalog Number	
	Yellow	Beige
4'	#17304-Y	#17304-B
6'	#17306-Y	#17306-B
8'	#17308-Y	#17308-B
10'	#17310-Y	#17310-B
12'	#17312-Y	#17312-B

Note-- Custom Made Power Ducts Available with additional outlets, special spacings, and in other popular colors. To order, contact your Ericson representative or the factory.

Over-The-Floor Cable Shield

- Cable shield protects cables or hoses that must extend across areas of heavy traffic, such as plant aisles, construction sites etc.
- Cable shield is both impact-and abrasion-resistant.
- Non-conductive
- No. 17425 cable shield accommodates cord sizes up to #12/3 SO, and hoses up to 1/2 inch OD.
- No. 17525 cable shield accommodates cord sizes up to #10/3 SO, and hoses up to 3/4 inch OD.
- Split bottom permits easy cable insertion.



Selection Guide

Catalog No.	Length	Color
#17425-B	25'	Black
#17425-Y	25'	Yellow
#17525-B	25'	Black
#17525-Y	25'	Yellow
Double Sided Tape for Installation		
#17575	(Roll) 2" wide x 75' long	

Note-- Cable Shield can be cut to required length by user. Maximum available length is 25 ft.

Temporary Power

Factory Assembled Cord Sets



Factory Assembled Cord Sets

- Factory assembled to meet the most demanding industrial and construction applications
- Available with Ericson's Perma-Link or Perma-Tite plugs and connectors
- Manufactured using heavy-duty SOW cord for maximum durability and longevity
- High visibility dual color safety system, Brilliant Orange and Radiant Yellow for added safety in otherwise dull construction/industrial environments
- Wide range of standard models available
- Custom assemblies available upon request

Factory Assembled Cord Sets Selection Guide

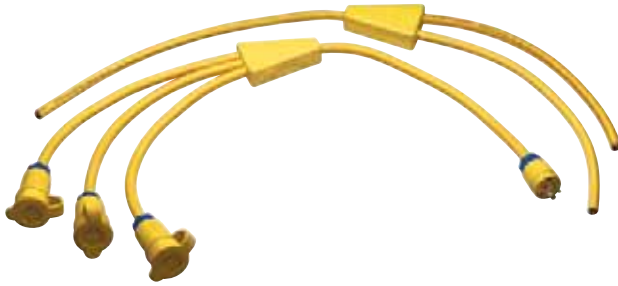
Cord Length (ft.)	NEMA Ratings			Cord		NEMA Config	Catalog Number
	Amps	Volts	Watts	AWG	Type		
with Perma-Link Plugs & Connectors							
25	15	125	1875	16/3	SOW	5-15	1510P163A
50	15	125	1875	16/3	SOW	5-15	1510P163B
100	15	125	1875	16/3	SOW	5-15	1510P163D
25	15	125	1875	16/3	SOW	L5-15	1520P163A
50	15	125	1875	16/3	SOW	L5-15	1520P163B
100	15	125	1875	16/3	SOW	L5-15	1520P163D
25	15	125	1875	14/3	SOW	5-15	1510P143A
50	15	125	1875	14/3	SOW	5-15	1510P143B
100	15	125	1875	14/3	SOW	5-15	1510P143D
25	15	125	1875	14/3	SOW	L5-15	1520P143A
50	15	125	1875	14/3	SOW	L5-15	1520P143B
100	15	125	1875	14/3	SOW	L5-15	1520P143D
with Perma-Tite® 2 Plugs & Connectors							
25	15	125	1875	16/3	SOW	5-15	1510PW6P163A
50	15	125	1875	16/3	SOW	5-15	1510PW6P163B
100	15	125	1875	16/3	SOW	5-15	1510PW6P163D
25	15	125	1875	16/3	SOW	L5-15	1520PW6P163A
50	15	125	1875	16/3	SOW	L5-15	1520PW6P163B
100	15	125	1875	16/3	SOW	L5-15	1520PW6P163D
25	15	125	1875	14/3	SOW	5-15	1510PW6P143A
50	15	125	1875	14/3	SOW	5-15	1510PW6P143B
100	15	125	1875	14/3	SOW	5-15	1510PW6P143D
25	15	125	1875	14/3	SOW	L5-15	1520PW6P143A
50	15	125	1875	14/3	SOW	L5-15	1520PW6P143B
100	15	125	1875	14/3	SOW	L5-15	1520PW6P143D

Notes:

1. Contact factory for custom assemblies

Temporary Power

Perma-Dapt Power Outlet Adapters



Perma-Dapt Power Outlet Adapters

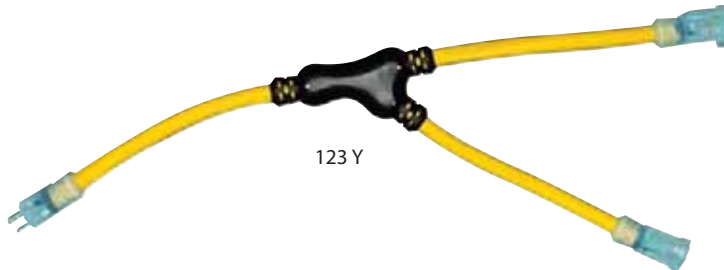
- Provides multiple outlets from a single power source
- Available in "Y" and "W" configurations
- Manufactured using heavy-duty SEOW cord
- Standard models available with 18" primary and secondary
- Available with Ericson's Perma-Link or Perma-Tite plugs and connectors
- Custom configurations available with your choice of primary length, secondary length and plug/connectors

Perma-Dapt Power Outlet Adapters

Primary Cord Length	Secondary Cord Length	Cord Type	Plug & Connector		NEMA Config	Plug	Connector	Catalog Number
			Amperage	Voltage				
Y-Adapters								
18"	18"	#12/3 SEOW				Blunt	Blunt	2634
18"	18"	#12/3 SEOW	15	125	5-15	1510-P	1610-C	2634-A
18"	18"	#12/3 SEOW	15	125	5-15	1510-PW	1610-CW	2634-B
W-Adapters								
18"	18"	#12/3 SEOW				Blunt	Blunt	2636
18"	18"	#12/3 SEOW	15	125	5-15	1510-P	1610-C	2636-A
18"	18"	#12/3 SEOW	15	125	5-15	1510-PW	1610-CW	2636-B

Notes:

1. Contact factory for custom assemblies



Y-Adapter Features 600V STW Cable

Y-Adapter provides two outlets so you can keep two tools plugged in. Made from heavy-duty #12/3 STW yellow cable with molded-on plug, connector & Y-junction.

Y-Adapter Selection Guide

Catalog Number	Electrical Ratings						
	Length	Gauge	Type	Amps	Volts	Plug/Connector	Face View
123Y	2'	#12/3	STW	15A	120V	NEMA 5-15 Straight Blade	



Temporary Power

Molded Extension Cords

Extension Cords Feature Power Indicator Light

No more guessing...Ericson's Safety yellow extension cords feature a lighted connector that illuminates when there is power present. The light is visible through the clear molded connector end of the cord. The single-tap and Tri-tap extension cords are made from Heavy-Duty #12/3 SJTW cable and are available in 50ft. and 100ft. lengths. Each extension cord is packaged in a full-color cardboard sleeve which makes them ideal for merchandising.



123B

123D-TT

Extension Cords Selection Guide

Catalog Number	Length	Gauge	Type	Electrical Ratings			Face View
				Amps	Volts	Plug/Connector	
123B	50'	#12/3	SJTW	15A	120V	5-15 Str. Blade Single Conn.	
123D	100'	#12/3	SJTW	15A	120V	5-15 Str. Blade Single Conn.	
123B-TT	50'	#12/3	SJTW	15A	120V	5-15 Str. Blade Tri-Tap Conn.	
123D-TT	100'	#12/3	SJTW	15A	120V	5-15 Str. Blade Tri-Tap Conn.	



Temporary Power

Yellow Portable Electrical Cord

Yellow Portable Electrical Cord

- UL Listed
- Rugged SOW jacketed cord provides excellent resistance to most hazards confronting portable cords at construction sites and industrial plants
- Resistant to heat sunlight, water acids, alkalides, cold and flame
- Excellent wear and tear resistance
- Stranded copper conductors provide optimum flexibility, even with heavier gauge conductors
- Standard color coding: 3-conductor: black, white, green
- 4-conductor: black, white, red, green

Yellow Portable Electrical Cord

AWG Size	Insulation Thickness	Stranding	Nominal O.D.	Rated Amps	Weight lbs/M ft.	Put-Up
#16/3 SOW	1/32	65/34	0.430	13	96	250' coil
#16/4 SOW	1/32	65/34	0.485	10	124	250' coil
#14/3 SOW	3/64	41/30	0.560	18	161	250' coil
#14/4 SOW	3/64	41/30	0.605	15	193	250' coil
#12/3 SOW	3/64	65/30	0.635	25	217	250' coil
#12/4 SOW	3/64	65/30	0.678	20	253	250' coil
#10/3 SOW	3/64	105/30	0.690	30	278	250' coil
#10/4 SOW	3/64	105/30	0.745	25	341	250' coil

