

**2900 & 3000 Series Commercial Duty Reels**  
**4000 Series Industrial Duty Reels**  
**5000 - 7000 Series Industrial Duty Reels**  
**8000 Series Hazardous Location Reels**  
**SDR Series Grounding Reels**  
**Radio Controlled Specialty Reels**  
**Custom Built Reels**



**Ericson Manufacturing Company** offers a new and improved section on cord and cable reels. In the following pages you will find:

- Technical reference section provides information on cable reel basics along with information on selecting the appropriate reel for your application
- Easy to use charts and drawings simplify the selection/specification process making it quick and user friendly
- 3000 Series Reels - line of reels ideal for commercial and light industrial applications
- 4000 Series - Industrial duty cord reels
- 5000 - 7000 Series - Heavy duty industrial duty
- 8000 Series - Hazardous duty reels
- New Static Discharge Reel perfect for applications that require reliable static discharge systems
- 2900 Series light duty Reels
- Hose Reels

### **3000 Series Reels**

- Available with SJT cable in lengths up to 50'
- Available with Single-Tap or Tri-Tap outlets and handlamps
- Built-in circuit breakers available
- Automatic On-Off switch on select 3000 Series models - automatically turns light on when extended and off when retracted

### **4000 Series Reels**

- UL and cUL Listed - Your assurance of Safety and Reliability
- NEMA Type 4 Rated - Suitable for indoor and outdoor use
- Yellow Powder Coating - Withstands rugged industrial environments and maintains "like-new" look
- 5/16" Thick Steel Stand
- 30Amp, 600Volt Slip Ring
- Accommodates #16-#12 SJOW, #16-#12 SO, 3 and 4 conductor cable
- Sealed spring cartridge with Lifetime lubrication
- 12 position roller guide to allow maximum flexibility in installation
- Steel ratchet with four locking positions
- Wide range of accessories available
- Modular service friendly parts

### **5000 - 7000 Series Reels**

- Many of the same features as our 4000 Series plus...
- Available with up to 150' of #12/3 600 volt cable
- UL, cUL listed models with up to 70' of cable
- CSA certified models with up to 150' of cable
- 35Amp, 600Volt slip ring

### **8000 Series Reels**

- Enclosures are designed to comply with requirements for Class 1, Div 1 - Groups C & D and Class II, Groups F & G
- Built to NEC standards
- Indoor or outdoor use
- Rugged fabricated steel and cast aluminum construction

### **Specialty Reels**

- Hand Rewind Reels
- Static Discharge Reels
- Hazardous Duty Reels
- Hose Reels



### **Custom Built Reels**

As always you can turn to Ericson Manufacturing Company to engineer a solution to your reel application if you do not find a standard catalog item to fit your need. Contact the factory or your local sales representative to find out more.

# Cord & Cable Reels

## Reel Construction

### ***Five Basic Parts:***

**Base/Stand:** Supports and mounts the reel

**Spring Motor:** Motor which rotates the spool

**Spool:** Composed of a Drum and two Flanges

**Slip Ring:** Transfers power from a stationary source to rotating source

**Roller Guide:** Guides the cable during payout and rewind

### ***Definition of Terms:***

**Active Length:** The difference between the minimum and maximum payout of cable

**Safety Wrap:** Cable that stays on the reel at maximum payout (Usually 2 complete wraps)

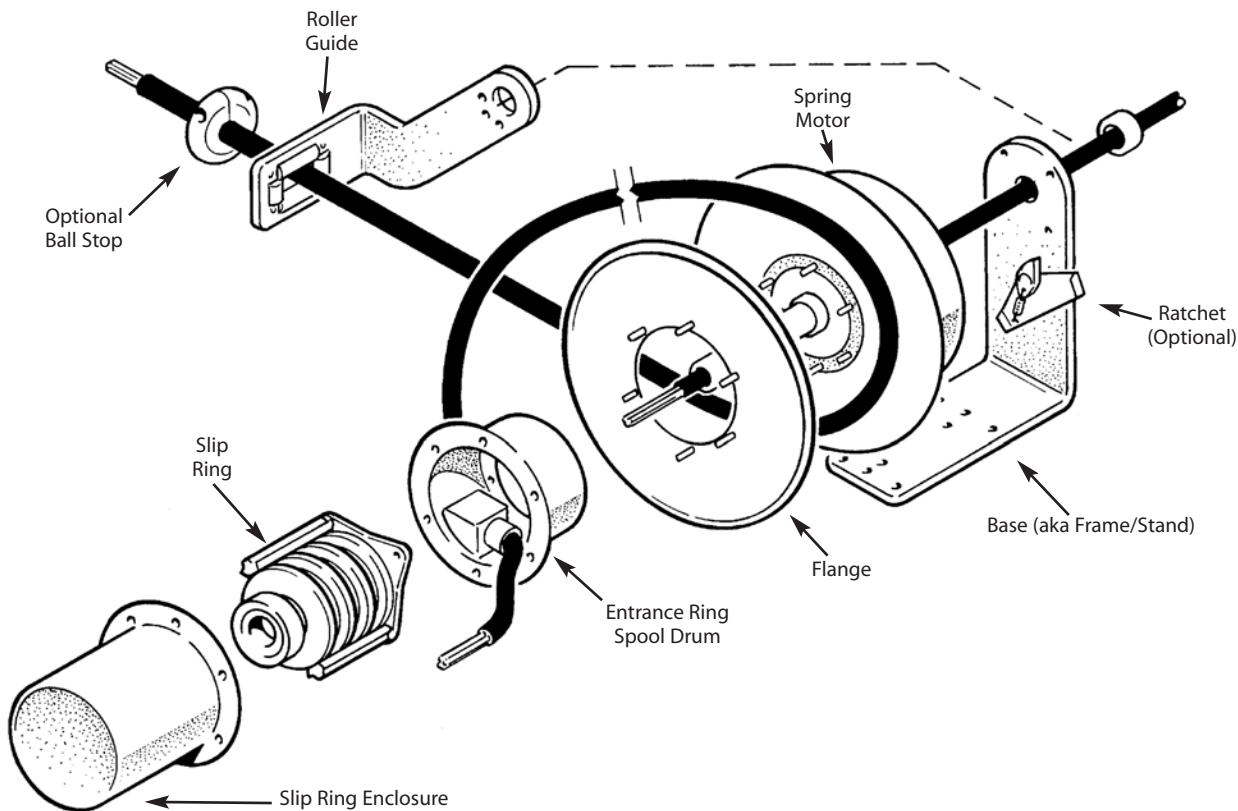
**Sag Factor:** The effect of gravity on actual travel length during stretch applications (6% - 10%)

**Lift Height:** The distance between where the cable lays to the center line of spool

**Payout:** Pulling cable out of the reel

**Retract or Rewind:** Rewinding cable back into the reel

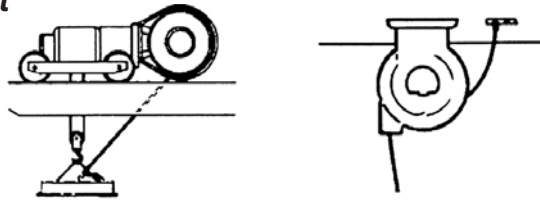
## Components of a Cable Reel



# Cord & Cable Reels

## Specifying Your Cable Reel

### Lift



The reel needs to "lift" the cable vertically. The reel is usually stationary. Cable is pulled out of the reel by machine or by hand (as with an overhead lightsource or a pendant station.)

### Drag



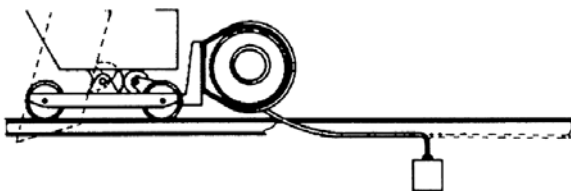
The reel needs to "drag" the cable through supports or along the ground horizontally. The reel is usually stationary. Cable can be pulled out by hand or by machine. Note: This application is the hardest on cable life.

### Stretch



The cable is "stretched" horizontally and is unsupported. The reel may be stationary mounted or mounted onto moving equipment. Cable is pulled out by machine. An extra 6% -10% in cable beyond active travel is required for cable sag.

### Retrieve



The reel needs to pickup ("retrieve") the cable. The reel is mounted on moving equipment. Cable is pulled out by machine.

Follow these three steps to make sure you get the best reel for your application needs. Your local representative or the sales team at our factory are glad to help if you need additional assistance.

### Step 1: Mechanical Requirements:

- How will the reel be used? Stretch, Lift, Drag, or Retrieve? (See left for guidance)
- What type of environment will the reel be located in? (Indoors, outdoors, corrosive environment)
- What is the Duty Cycle? (How often will be reel payout and retract?)
- What is the maximum speed of equipment? (Maximum recommended speed is 150 feet per minute)

### Step 2: Electrical Requirements:

- How much amperage is the cable expected to handle?
- At what voltage?
- What will the reel be required to handle: power, control, or communication signals?
- How many total conductors are required? (Please include one conductor for dedicated ground)
- What gauge (AWG) cable is required? The amperage and total number of conductors required will determine the gauge

### Step 3: Cable Length Requirements:

- ADD: Active Length: The difference between the minimum operating payout
- PLUS: Inactive Length: Cable that always stays out of the reel, even at full retraction
- PLUS: Safety Wrap:\* Cable that stays on the reel at maximum payout - See note below for details
- PLUS: Sag Factor - (Stretch Only): Add 10% to Active and Inactive Length total
- Lift Height - (Drag/Retrieve): The distance between where the cable lays up to the spool center line. Max 4'
- Hook up Length: Cable required for termination at both ends - 2-3' Spool End

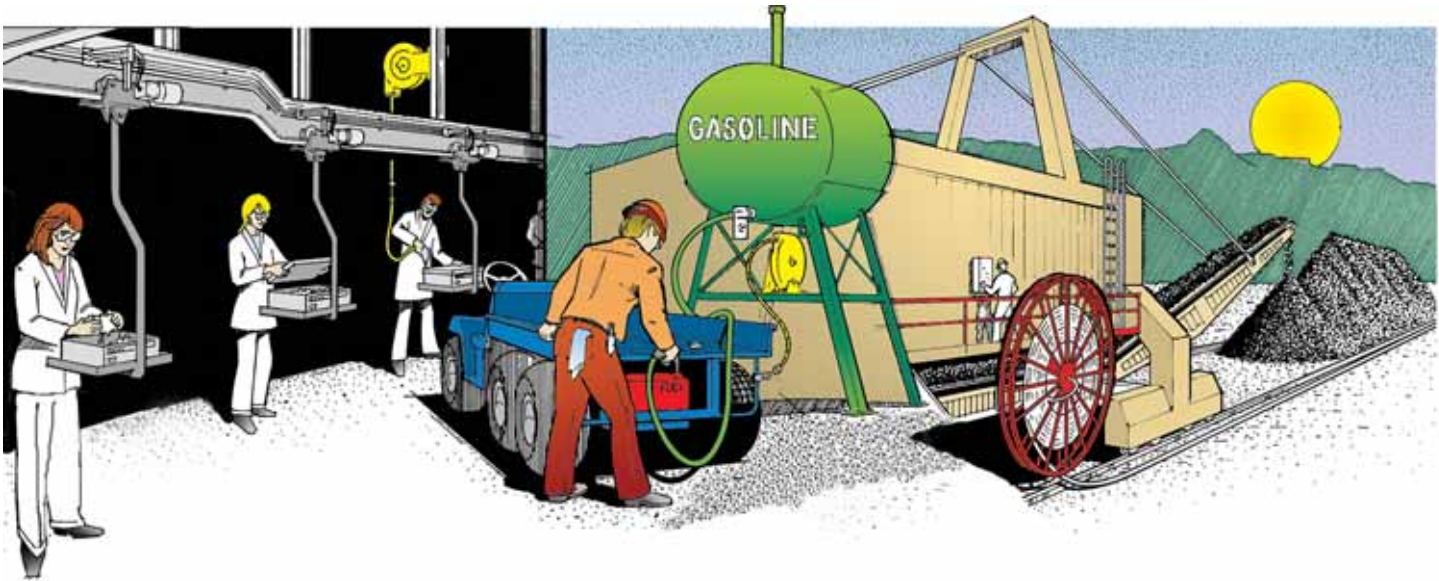
- \* NOTE:
- Series 4000 = 2'
  - Series 5000 = 2'
  - Series 6000 = 5'
  - Series 7000 = 5'
  - Series 8000 = 3'

# Cord & Cable Reels

## Quick Index & Application Guide

### Quick Index & Application Guide

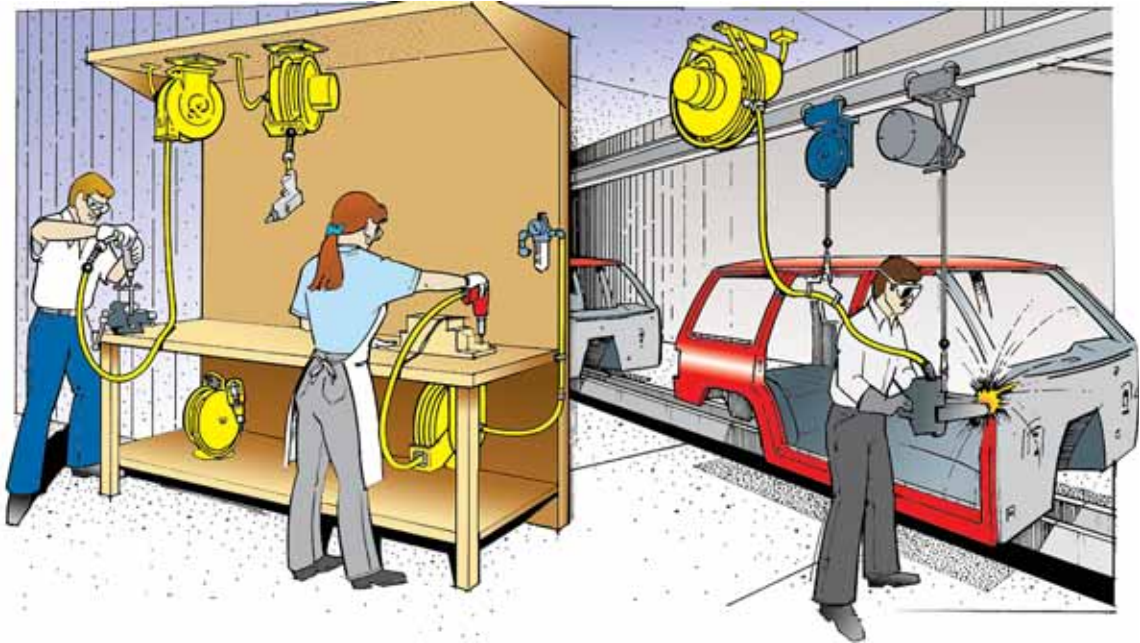
		Typical Applications				
Reel Series	Catalog Page	Commercial Facilities Dry environments where no rain, spray or other moisture is present such as workshops & auto garages.	Light Industrial Dry environments where no rain, spray or other moisture is present such as workshops & auto garages.	General Industrial Dry environments where subject to frequent use to supply light or power to portable or moving equipment.	Heavy-Duty Industrial Dry or wet areas where rain, spray or other moisture is present. Reel used to supply light or power to portable or moving equipment.	Hazardous Locations Classified per NEC article 500 & where rain, spray or other moisture is present.
3000 Commercial Duty	232-233	•	•			
3900 Light Industrial Duty	234-235	•	•			
4000 Industrial Duty	236-237		•	•		
5000 Industrial Duty	238		•	•	•	
6000 Heavy Duty Industrial	239			•	•	
7000 Heavy Duty Industrial	239			•	•	
8000 Hazardous Location	240-241		•	•		•
1400 Hand Wind	243	•	•			
2900 Light Duty	242	•				
SDR Grounding Reels	244	•	•	•		



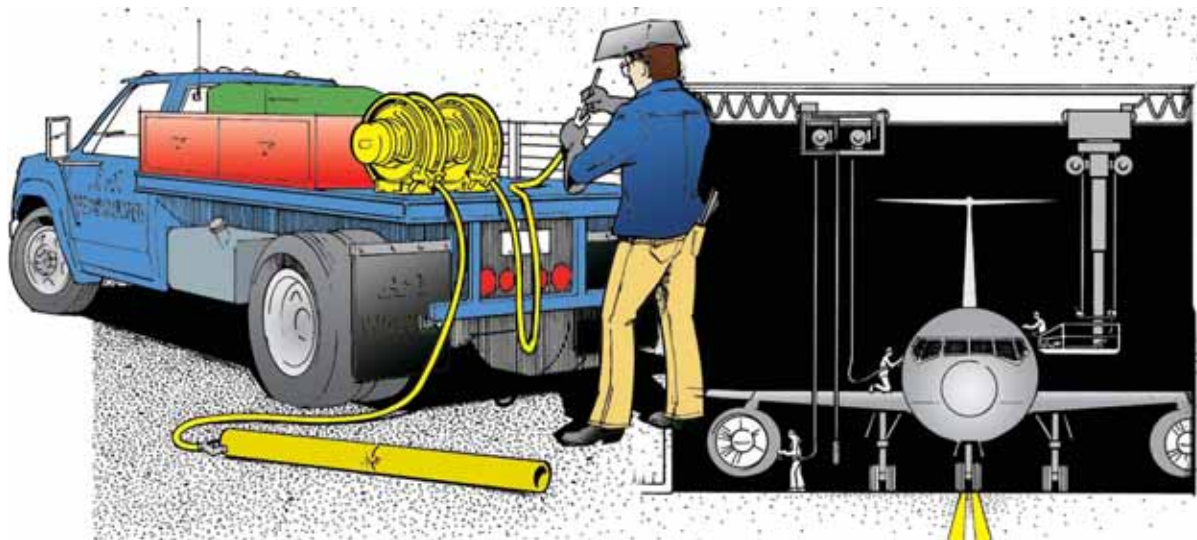
Pictured reels may not match actual products.

# Cord & Cable Reels

## Quick Index & Application Guide



Pictured reels may not match actual products.



Pictured reels may not match actual products.

# Cord & Cable Reels

## 3000 Series - Cord Reels



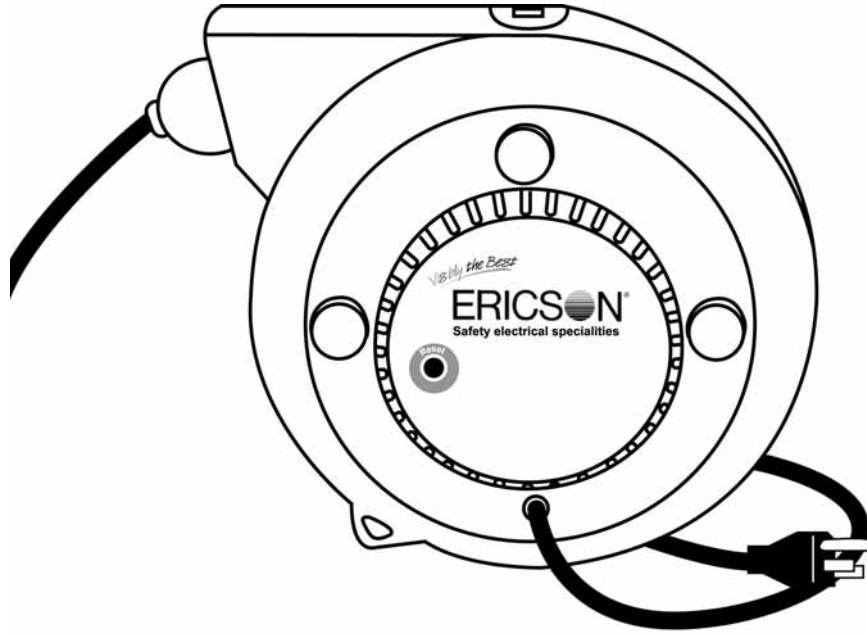
- Commercial duty midnight black cord reel
- High impact, corrosion resistant non-metallic housing
- Ideal for use in commercial/industrial workshops, automotive garage & machine shops
- Reel mounts to wall or ceiling
- Reel swivels 180° to cover wide range work area
- Compact size allows mounting in tight spaces- Only 6" wide x 11" diameter
- Ratchet lock holds cord at desired position
- Available with NEMA 5-15 single-outlet or Tri-Tap™ outlets or fluorescent handlamp
- Installation kit comes complete with instruction sheet, mounting bracket and all the hardware needed for a complete installation
- Circuit breaker available on select models to prevent overload
- Automatic ON-OFF switch available on select models - Turns power on when extended and off when retracted

### 3000 Series Cord Reel Selection Guide

				
	Angle Light	Fluorescent Handlamps 13 watt Tube Light	Fluorescent Handlamps 13 watt Tube Light	
<b>Nonmetallic Housing with:</b>				
With 50-ft. of cable	3163-50-AL	3163-50-TL	3163-50-TLS	
<b>SPECIFICATIONS:</b>				
Cord Size	#16/3	#18/2	#18/2	
Cord Type	SJTOW	SJTOW	SJTOW	
Circuit Breaker	8 Amps	No	No	
Cord Outlets	N/A	N/A	N/A	
Primary: Cord Length	2 ft.	2 ft.	2 ft.	
Power Switch in Handlamp Handle	Yes	-	-	
Side Outlet in Handlamp Handle	(1) NEMA 5-15	-	-	
Bulb Wattage	13 watt	13 watt	13 watt	
Bulb Included	Yes	Yes	Yes	
Ballast Location	Handle	Handle	Handle	
Auto On-Off Switch	-	-	Yes	

# Cord & Cable Reels

## 3000 Series - Cord Reels



		
Tri-Tap Outlet	6000 Outlet Box (2) NEMA 5-15 Duplex Receptacles	15Amp Straight Blade Connector
3163-50-TT	3163-50-B	3163-50-ST
#16/3	#16/3	#16/3
SJTW	SJTOW	SJTOW
8 Amps	8 Amps	8 Amps
(3) NEMA 5-15	See Above	(1) Molded NEMA 5-15
2 ft.	2 ft.	2 ft.
-	-	-
-	-	-
-	-	-
-	-	-
-	-	-
-	-	-
-	-	-
-	-	-



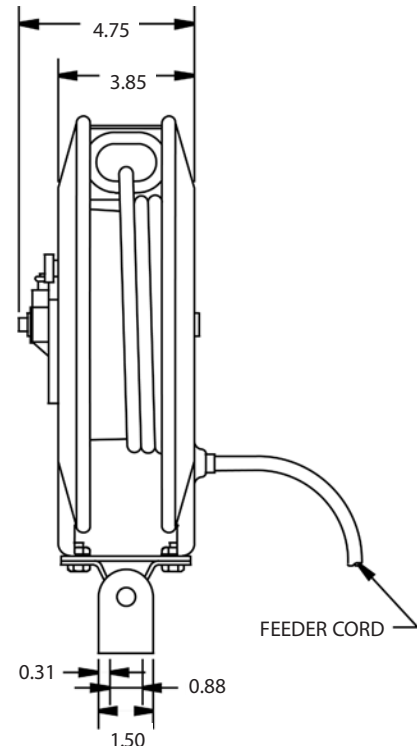
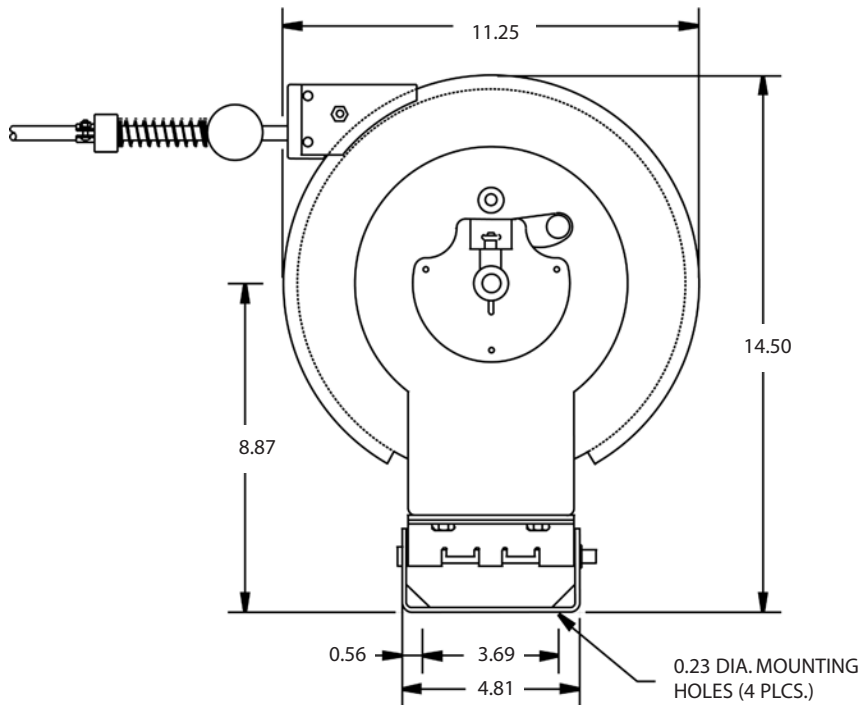
# Cord & Cable Reels

## 3900 Series - Cord Reels



- Tough steel case for commercial and light industrial applications
- Ease of installation, lead in with plug cap, plugs into nearest receptacle
- External tension adjustment permits spring tension to be rapidly increased or decreased to meet your job requirements
- External lock disengagement converts to constant tension, (lock to no-lock) by rotating external knob
- Large cable guide casting has large internal radius, prevents snubbing and abrasion of cable
- Motor springs are self contained with declutching release collar and lubricated for the life of the reel
- Cable shock spring and bumper absorbs impact of retraction, and prolongs life of spring, handlamp and reel
- Oversize mainshaft, bearings and mainspring. High ampere slip rings with oversize copper graphite brushes
- Available with a wide variety of Ericson Hand Lamps and other devices
- Lifetime bronze bearing
- Open flange design eliminates rewinding problems as experienced in enclosed models
- Finished with yellow epoxy enamel paint to assure the utmost in corrosion resistance
- Includes base mount & swing mount assembly kit




### 3900 Series



# Cord & Cable Reels

## 3900 Series - Cord Reels

### 3900 Series Cord Reels Selection Guide

			
	Reel Only	944-RS Handlamp	6000 Outlet Box (2) NEMA 5-15 Duplex Receptacles
<b>Steel Housing with:</b>			
With 30-ft. #14/3 AWG	3914-30	3914-30-HSS	3914-30-B
<b>SPECIFICATIONS:</b>			
Electrical Ratings:			
#14/3 AWG	125v/11A	125v/11A	125v/11A
Cord Type	SJOW	SJOW	SJOW
Primary: Cord Length	6'	6'	6'
Power Switch in Handlamp Handle	-	Yes	-
Side Outlet in Handlamp Handle	-	Yes	-
Guard Material	-	Zinc Plated Steel	-
Handle Material	-	Vinyl Nitrile Rubber	-
Bulb Wattage	-	100 Watt	-
Bulb Included	-	No	-

**Notes:**

1. Contact factory for custom reels built to your specifications

# Cord & Cable Reels

## 4000 Series - Cord Reels



- UL Listed & CSA certified
- Ideal for Indoor and Outdoor Use - NEMA 4 Rated (wet or dry - less electrical options & molded plug which are NEMA 2)
- Safety-Yellow Powder-Coated Finish
- Compact Size (12.75" H x 7.75" W - 18 lbs. less cable)
- Heavy Formed Steel Stand (5/16" - thick)
- Available in 3 and 4 Conductors (incl. dedicated ground)
- All-Steel Pawl and Ratchet with 4 Locking Positions
- Automatic Locking Ratchet With lockout Lever Option
- Adjustable / Removable Steel Cable Guide (3/16" - thick)
- Low-Friction, 4-roller cable guide

### 4000 Series Cord Reel Selection Guide

	Reel w/ Cable Only		#6 Handle Handlamp	744-RS Handlamp	
	SJOW Cable	SOW Cable			
<b>Reels with 3-Conductor Cable</b>					
with 25-ft. of #16/3 AWG	4163-25	4163-25SO			
with 35-ft. of #16/3 AWG	4163-35	4163-35SO	4163-35-H6	4163-35-HS	
with 50-ft. of #16/3 AWG	4163-50	4163-50SO	4163-50-H6	4163-50-HS	
with 30-ft. of #14/3 AWG	4143-30	4143-30SO			
with 40-ft. of #14/3 AWG	4143-40	4143-40SO			
with 50-ft. of #14/3 AWG	4143-50				
with 25-ft. of #12/3 AWG	4123-25				
with 50-ft. of #12/3 AWG	4123-50				
<b>Reels with 4-Conductor Cable</b>					
with 35-ft. of #16/4 AWG	4164-35	4164-35SO			
with 50-ft. of #16/4 AWG	4164-50	4164-50SO			
with 35-ft. of #14/4 AWG	4144-35				
with 25-ft. of #12/4 AWG	4124-25	4124-25SO			
with 35-ft. of #12/4 AWG	4124-35				
<b>SPECIFICATIONS:</b>					
Electrical Ratings	300V	600V			
Reels with AWG #16/3, #16/4	10A, 8A	10A, 8A	125v/10A	125v/10A	
Reels with AWG #14/3, #14/4	15A, 12A	15A, 12A	125v/15A	125v/15A	
Reels with AWG #12/3, #12/4	20A, 16A	20A, 16A	125v/20A	125v/20A	
Cord Type	SJOW-A	SOW-A	SJOW-A	SJOW-A	
Power Switch in Handlamp Handle	-	-	Yes	No	
Side Outlet in Handlamp Handle	-	-	Yes	No	
Guard Material	-	-	Zinc Plated Steel	Zinc Plated Steel	
Handle Material	-	-	30% Glass Filled Polyester	Vinyl Nitrile Rubber	
Bulb Wattage	-	-	100 Watt	100 Watt	
Bulb Included	-	-	No	No	

For Reel Dimensions, refer to page 248.

# Cord & Cable Reels

## 4000 Series - Cord Reels

- Adjustable Ball Stop Included
- 6' Feeder Cord (Note: Molded plug included on all NEMA 2 models)
- Slip Ring: 30 Amps, 600 Volts
- Available with or without Type SJOW/SJOOW
- Note: Add an extra 3' of cable for hookup/safety wrap, plus 10% extra cable for stretch applications due to sag factor
- Available with and without handlamps or receptacle box pre-installed

				
<b>944-RS Handlamp</b>	<b>6000 Outlet Box (2) NEMA 5-15 Duplex Receptacles</b>	<b>6029 Extra-Deep Outlet Box (1) NEMA 5-15 Duplex Recpt. &amp; (1) NEMA 5-15 GFI duplex Recpt.</b>	<b>15Amp Straight Blade Connector</b>	
4163-35-HSS				
4163-50-HSS	4163-50-B			
	4143-40-B	4143-40-BG	4143-40-1610	
	4143-50-B	4143-50-BG	4143-50-1610	
	4123-50-B	4123-50-BG	4123-50-1610	
125v/10A	125v/10A	125v/10A	125v/10A	
125v/15A	125v/15A	125v/15A	125v/15A	
125v/20A	125v/20A	125v/20A	125v/20A	
SJOW-A	SJOW-A	SJOW-A	SJOW-A	
Yes	–	–	–	
Yes	–	–	–	
Zinc Plated Steel	–	–	–	
Vinyl Nitrile Rubber	–	–	–	
100 Watt	–	–	–	
No	–	–	–	

# Cord & Cable Reels

## 5000 Series - Cord Reels



Reel shown with optional pivot base.

- UL Listed to US and Canadian Safety Standards for reels with cable
- Ideal for Indoor and Outdoor use (wet or dry)
- Weatherproof NEMA 4X Slip Ring Enclosure
- Heavy All-Steel Construction
- Safety-Yellow Powder-Coated Finish
- Numbered Terminal Blocks for Simplified Hookup
- Formed Steel Stand with Multiple Mounting Holes
- Guide Arm (4-roller, adjustable to 12 positions for efficient cable storage)
- Ratchet - positive lock including constant tension feature
- 35 Amp/600 Volt Slip Ring
- Available in Welding & Grounding Reel Version
- Available in a hose reel version
- Supplied with Type SOW or SOOW Cable installed
- Primary cordset not supplied with reel

### 5000 Series Cord Reels Selection Guide

SOW Cable Gauge & Conductors - 600V							
	Amp Rating	20'	30'	40'	50'	60'	70'
<b>16/3</b>	10A	5163-20	5163-30	5163-40	5163-50	5163-60	5163-70
<b>16/4</b>	8A	5164-20	5164-30	5164-40	5164-50	5164-60	5164-70
<b>16/6</b>	8A	5166-20	5166-30	5166-40	5166-50		
<b>16/8</b>	7A	5168-20	5168-30	5168-40	5168-50		
<b>16/10</b>	5A	51610-20	51610-30	51610-40			
<b>16/12</b>	5A	51612-20	51612-30	51612-40			
<b>14/3</b>	15A	5143-20	5143-30	5143-40	5143-50	5143-60	5143-70
<b>14/4</b>	12A	5144-20	5144-30	5144-40	5144-50	5144-60	5144-70
<b>14/6</b>	12A	5146-20	5146-30	5146-40	5146-50		
<b>14/8</b>	10.5A	5148-20	5148-30				
<b>14/10</b>	7.5A	51410-20					
<b>12/3</b>	20A	5123-20	5123-30	5123-40	5123-50	5123-60	
<b>12/4</b>	16A	5124-20	5124-30	5124-40	5124-50	5124-60	
<b>12/6</b>	16A	5126-20	5126-30				
<b>12/8</b>	14A	5128-20					
<b>10/3</b>	25A	5103-20	5103-30	5103-40	5103-50	5103-60	
<b>10/4</b>	20A	5104-20	5104-30	5104-40	5104-50		
<b>10/6</b>	20A	5106-20	5106-30				

For Reel Dimensions, refer to page 248.

# Cord & Cable Reels

## 6000/7000 Series - Cord Reels



Reel shown with optional pivot base.

- Our 6000 Series and 7000 Series reels are your top-quality, low-cost alternative to other spring reels of this capacity. These reels offer heavy-duty performance at some of the most attractive prices in the market.
- Excellent performance in industrial indoor and outdoor applications (wet or dry)
- Built to NEMA 4 Standards/CSA certified
- Heavy all-steel construction
- Safety-yellow powder-coated finish
- Standard two-piece roller-guide design for maintainability, with a 345° mounting range
- Safety-sealed, lifetime lubricated spring motor cannister
- Generously sized slip ring housing with fully articulating brushes for flawless contact in adverse conditions
- Variety of ring amp ratings from 35-150 Amps
- Reels are sized to handle Type SOW, Type W or Type G cable
- Add an extra 7 feet of cable for hookup/safety wrap, as well as an extra 10% of total travel length for stretch applications
- Primary not supplied with reels

### 6000 & 7000 Series Cord Reels Selection Guide

SOW Cable Gauge & Conductors							
	Amp Rating	70'	80'	90'	100'	125'	150'
<b>16/3</b>	10	6163-70	6163-80	6163-90	6163-100	6163-125	6163-150
<b>16/4</b>	8	6164-70	6164-80	6164-90	6164-100	6164-125	7164-150
<b>14/3</b>	15	6143-70	6143-80	6143-90	6143-100	6143-125	7143-150
<b>14/4</b>	12	6144-70	6144-80	6144-90	6144-100	7144-125	7144-150
<b>12/3</b>	20	6123-70	6123-80	6123-90	6123-100	7123-125	7123-150
<b>12/4</b>	16	6124-70	6124-80	6124-90	6124-100	7124-125	
<b>10/3</b>	25	6103-70	6103-80	6103-90	6103-100	7103-125	
<b>10/4</b>	20	6104-70	6104-80	6104-90	6104-100	7104-125	

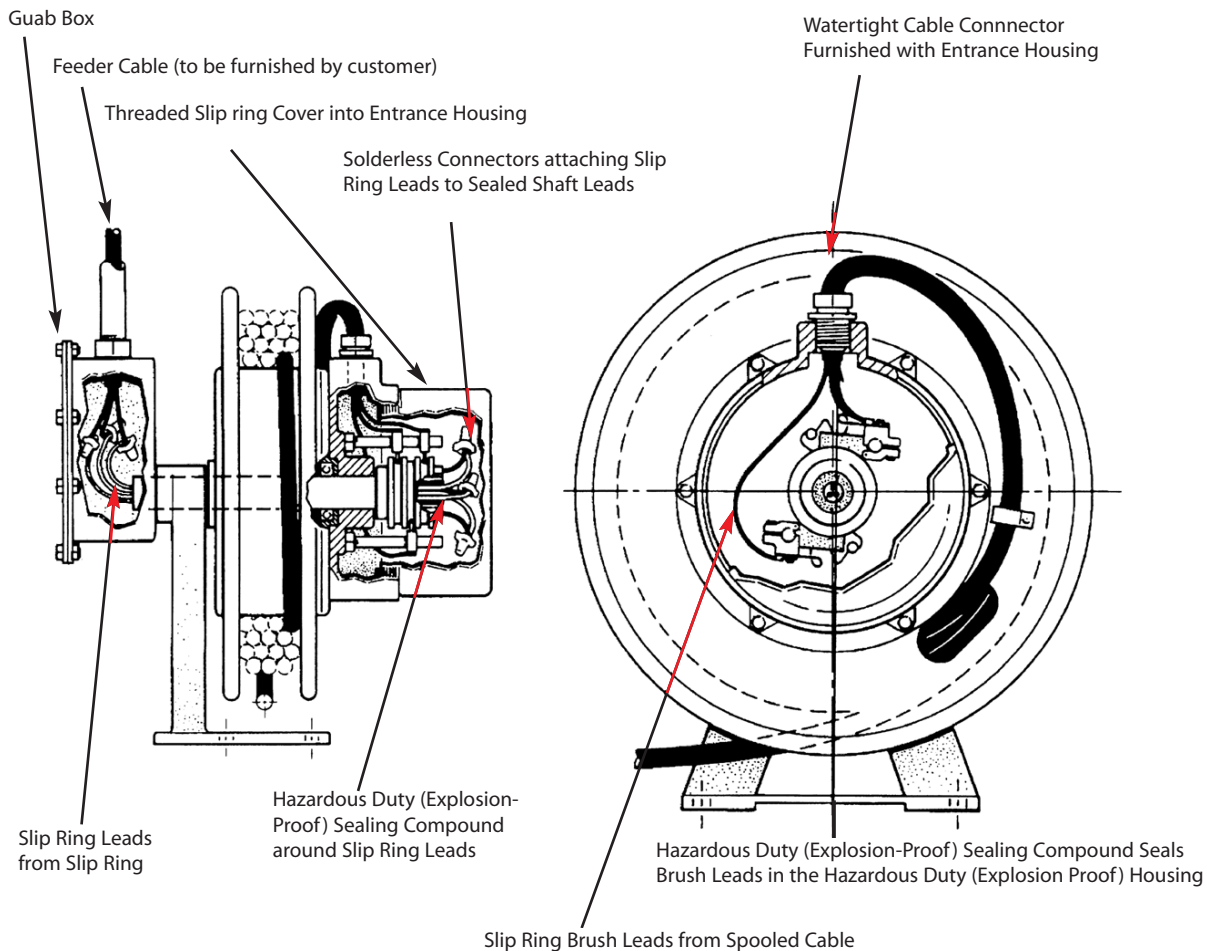
For Reel Dimensions, refer to page 249.

# Cord & Cable Reels

## 8000 Series - Hazardous Location Cord Reels



- Enclosures are designed to comply with requirements for Class I, Div 1 - Groups C & D and Class II, Groups F & G but are not certified by any regulatory body
- Built to NEC standards
- Indoor or outdoor use
- Rugged fabricated steel and cast aluminum construction
- 30 Amp / 600 Volt advanced slip ring assembly
- Threaded junction box and slip ring enclosure
- SOW-A cable on factory assembled models
- Spring activated ratchet
- 4-roller adjustable cable guide
- Maximum dimensions: 14 1/2" H x 14 1/2" W x 17" D
- Note: 5 additional feet of cable required for safety wrap and hookup



# Cord & Cable Reels

## 8000 Series - Hazardous Location Cord Reels

### 8000 Series Hazardous Duty Reel Selection Guide

SOW Cable Gauge & Conductors	Length of Cable	Reel with Cable Only	Reel w/ Hazardous Duty Handlamp	
			2300	2500
<b>16/3</b>	20'	8163-20	8163-20-XPI	8163-20-XPF
<b>16/3</b>	40'	8163-40	8163-40-XPI	8163-40-XPF
<b>16/3</b>	50'	8163-50	8163-50-XPI	8163-50-XPF
<b>16/4</b>	20'	8164-20		
<b>16/4</b>	40'	8164-40		
<b>16/4</b>	50'	8164-50		
<b>14/3</b>	20'	8143-20	8143-20-XPI	8143-20-XPF
<b>14/3</b>	40'	8143-40	8143-40-XPI	8143-40-XPF
<b>14/3</b>	50'	8143-50	8143-50-XPI	8143-50-XPF
<b>14/4</b>	20'	8144-20		
<b>14/4</b>	40'	8144-40		
<b>14/4</b>	50'	8144-50		





# Cord & Cable Reels

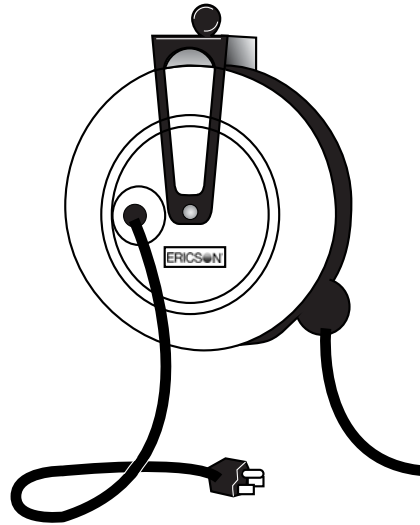
## 2900 Series - Light Duty Cord Reels



- Light duty bright yellow cord reel with steel housing
- Ideal for use in machine shops, automotive garages and commercial and light industrial workshops
- Reel mounts to wall or ceiling
- 2 ft. primary cord with molded-on NEMA 5-15 plug provides wide reach to plug in to nearest receptacle
- Reel comes with incandescent or fluorescent handlamp
- Ratchet lock holds cord at desired position

### 2900 Series Selection Guide

Cord GA., #Cond. & Type	Length		
#16/3 SJT	30'	2900	
#18/2 SJT	40'		2910
<b>Specifications:</b>			
Volts		120	120
Amps		10	7
Handlamp:			
Wattage		100 watt	13 watt
Switch		Yes	Yes
Side Outlet		Yes	



# Cord & Cable Reels

## Portable Hand-Wind Reels



- 14 AWG steel construction
- Cable Capacities: #14/3 SOW: 125' #12/3 SOW: 100'
- UL Listed Receptacles
- Available with a variety of accessories
- Large knob permits winding after job completion
- Heavy steel frame and flanges assure long life
- Indoor use only
- Comes with carrying handle included with frame

### Portable Hand-Wind Reels Selection Guide

					Maximum Electrical Ratings	
	Catalog Number	Size	Cable Type	Length (ft)	Amps	Volts
	<b>Reel Only, No Cable</b>					
	14143	14/3	SJOW-A		15	250
	14123	12/3	SJOW-A		20	250
	<b>Reel with Outlets Only, No Cable</b>					
	14143-R	14/3	SJOW-A		15	125
	14123-R	12/3	SJOW-A		20	125
	<b>Reel with Outlets and Cable</b>					
	14143-100R	14/3	SJOW-A	100	15	125
	14143-125R	14/3	SJOW-A	125	15	125
	14123-100R	12/3	SJOW-A	100	20	125
	<b>Reel, No Outlets, and Cable</b>					
	14143-100	14/3	SJOW-A	100	15	250
	14143-125	14/3	SJOW-A	125	15	250
	14123-100	12/3	SJOW-A	100	20	250
	<b>Reel, No Outlets, and Cable with Hand lamp</b>					
	14163-100 - H6	16/3	SJOW-A	100	10	120
	14163-200 - H6	16/3	SJOW-A	200	10	120
	<b>Reel with Outlet Box wired to Cable</b>					
	14143-100-B	14/3	SJOW-A	100	15	120
	14143-125-B	14/3	SJOW-A	125	15	120
	14123-100-B	12/3	SJOW-A	100	20	120

# Cord & Cable Reels

## SDR Series - Grounding Reel

Areas used for fuel handling, mines and other places where airborne flammables may exist, require reliable static discharge systems...and Ericson has them. Ericson grounding reels are perfect for discharging dangerous static electricity build-up in hazardous environments.



- Built to NEC Standards
- For indoor use only
- Rugged all steel construction
- Compact Design
- Mounts in any position
- Red epoxy coated finish
- Feet are unfinished for maximum electrical contact
- Resistance not exceeding 0.6 OHMS
- Includes aircraft type cable: 3/32" diameter standard steel
- Includes 100 Amp grounding clamp
- Includes automatic locking ratchet with lockout feature for constant tension

### Selection Guide

Cable Length	Resistance (ohms)	Description	Catalog Number
50 ft.	0.3	Single Cable	SDR-50

- Ericson 5000 Series Reels are now available for grounding applications where longer cables are needed
- Ball stop included
- 4-roller guide adjustable cable guide
- Auto locking ratchet for constant tension
- 100 amp grounding clamp included
- Resistance not exceeding 2 Ohms



### Selection Guide

Cable Length	Description	Catalog Number
75 ft.	Single Cable with orange nylon jacket	SDR-75
100 ft.	Single Cable with orange nylon jacket	SDR-100



# Cord & Cable Reels

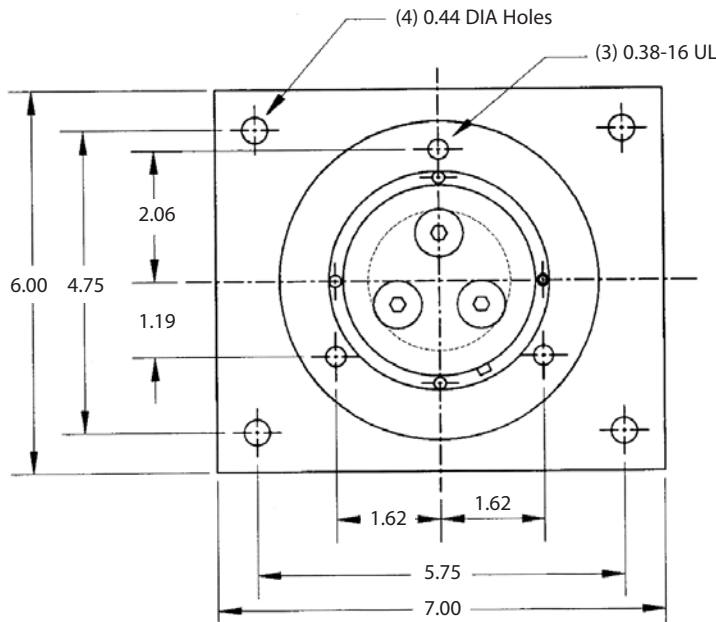
## Reel Accessories

### 345° Pivot Base

- Use our pivot base to customize your hose reel mounting for your specific application
- All steel base
- Lifetime bearing (never needs lubrication)
- Swing can be restricted to 90°, 180°, and 270°
- Anodized clear finish



PB-45



### Selection Guide

Catalog Number	Description
PB-45	Pivot Base (Weight: 7.3 lbs.)

### Ball Stops

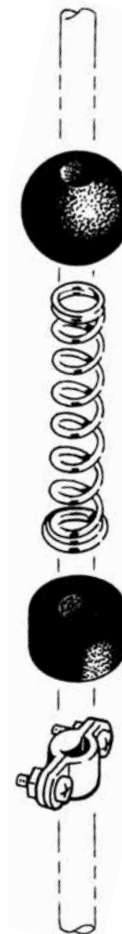
- Also referred to as "cable stops," "bumper stops," or "hose stops"
- Generally used for manually operated lift and drag applications to govern retraction length. Stops are required when accessories such as handlamps and receptacle boxes are installed on cable reels
- Suitable for all Ericson Cable reels

### Selection Guide

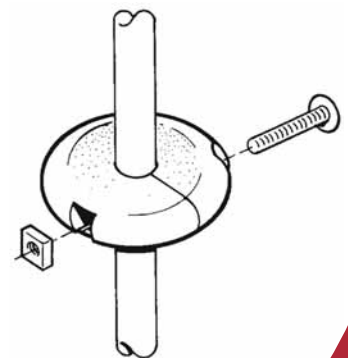
Catalog Number	Description
SC-1	For cable O.D. ranges 0.188" to 0.438"
SC-2	For cable O.D. ranges 0.188" to 0.438" with shock absorbing spring bumper
SC-3	For cable ranges 0.438" to 0.624"
SC-4	For cable ranges 0.625" to 0.749"



SC-1



SC-2



SC-3 & SC-4

# Hose Reels

## 5000 Series - Hose Reels



- 100% unassisted spring retraction
- For indoor and outdoor use
- 14 gauge all-steel construction
- Containerized spring for safety
- Solid bronze swivel with buna nitrile seal rated at 1000 P.S.I. (for air/water applications)
- Standard fitting rated at 1000 P.S.I.
- Heavy-duty 3/8" formed stand with mounting base
- Finished with durable yellow polyurethane powder coating
- Ratchet assembly provided on all reels (may be disengaged for constant tension)
- Guide arm: 4-roller guide, adjustable to 12 positions for efficient hose payout
- Swivel cover standard on all reels (3.5")
- Reels come re-installed with hose (models available without hose)
- 300 P.S.I. flexible hose
- Hose temperature range: -20°F to 180°F (-29°C to 82°C)
- Hose is chemically suited for air and water applications
- Options available: hose stops, hose grips, pivot base, inlet hose assemblies, custom roller guides

### **Why do you need a hose reel?**

- Make shop, garage, or other work areas safer: A hose left on the ground can be tripped over by employees or customers, potentially causing serious injury. The Series 5000 Hose Reels keeps hose neatly stored and ready to use.
- Eliminate hose handling problems: Save time and increase efficiency. Grab the hose and go. It's just as easy to reel in. Remember; the Series 5000 hose reel is 100% spring retractable.
- Extend hose life: Save time and money. Reduce costly repairs and downtime when hoses are damaged while left on the ground.

### **How to order a hose reel**

*Determine the following*

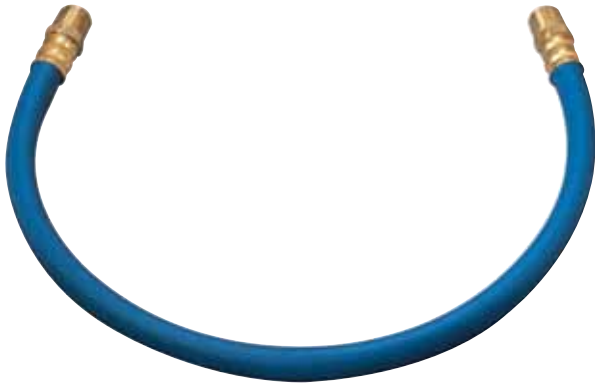
- What will you put through the hose (air, water, ect.)?
- What is the maximum pressure (in P.S.I.) needed for operation?
- How will you be using the hose? (Will it be stretched, lifted/dragged or retrieved?)
- How far out will the hose need to retract?
- Is a ball stop required for the application?
- Is an inlet hose assembly needed to connect hose reel and source of supply? (Highly recommended).

# Hose Reels

## 5000 Series - Hose Reels

### 5000 Series Hose Reel Selection Guide

Hose I.D.	Feet of Hose					
	20'	30'	35'	40'	50'	60'
1/4"	5H14-20	5H14-30	5H14-35	5H14-40	5H14-50	5H14-60
3/8"	5H38-20	5H38-30	5H38-35	5H38-40	5H38-50	
1/2"	5H12-20	5H12-30	5H12-35	5H12-40		



#### Inlet Hose Assemblies

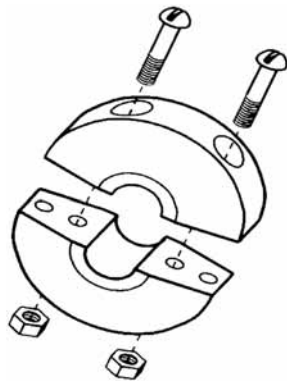
- Standard inlet hose assemblies come with 2 feet of hose and handle 300 P.S.I. of working pressure
- Inlet size for the 5000 Series Hose Reel is 1/2" including fittings
- For ease of installation, use a flexible hose connection with swivel between the hose reel inlet and the source of supply to prevent possible misalignment and binding

#### Selection Guide

Catalog Number	Description
5H12-HA	Inlet Hose Assembly (Wt.: 1 lb.)

#### Hose Stops

- Used to control hose retraction



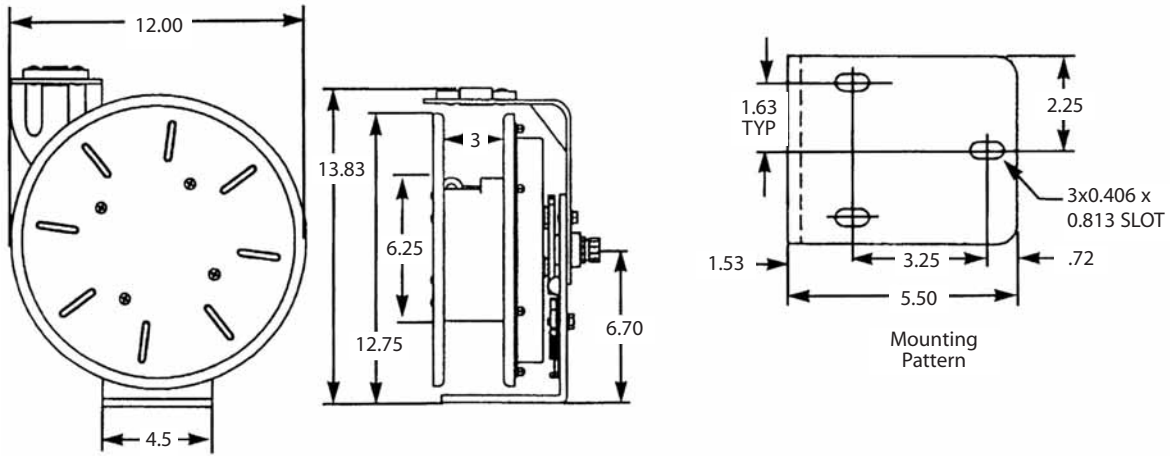
#### Selection Guide

Catalog Number	Description
HS14	For Hose with 1/4" I.D.
HS38	For Hose with 3/8" I.D.
HS12	For Hose with 1/2" I.D.

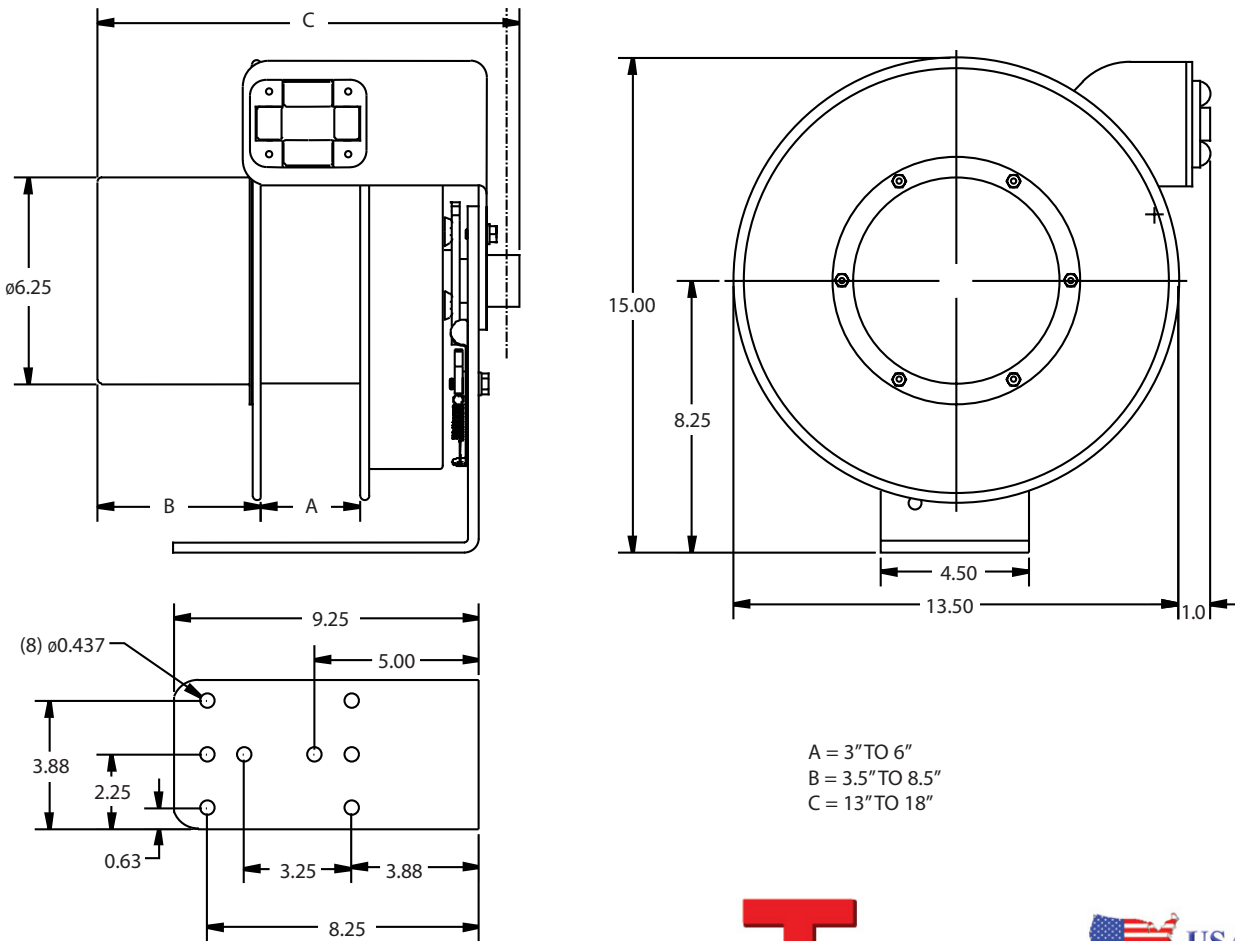
# Cord & Cable Reels

## Dimensions

### 4000 Series



### 5000 Series



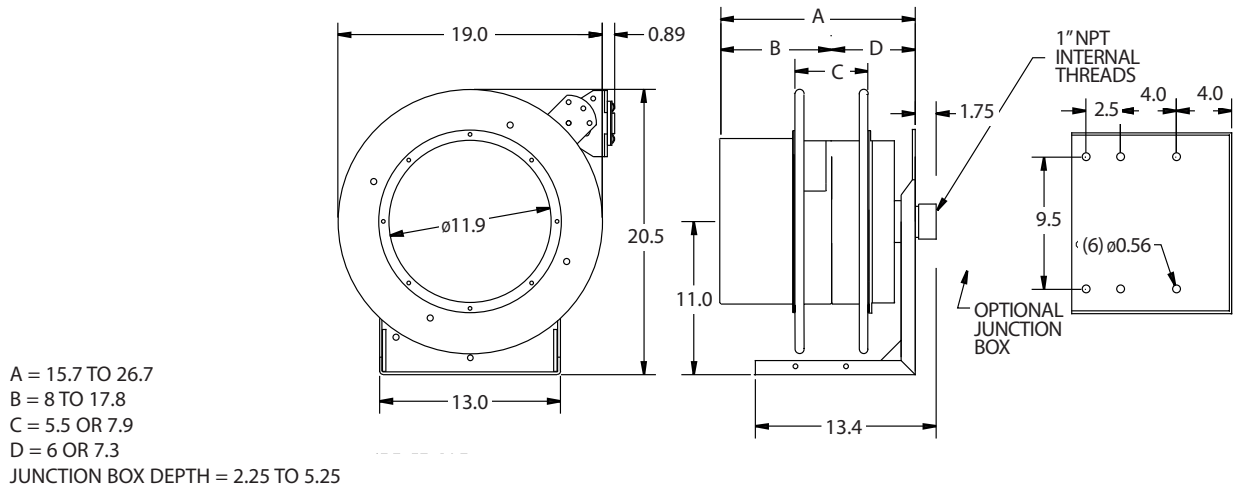
A = 3" TO 6"  
 B = 3.5" TO 8.5"  
 C = 13" TO 18"

# Cord & Cable Reels

## Dimensions

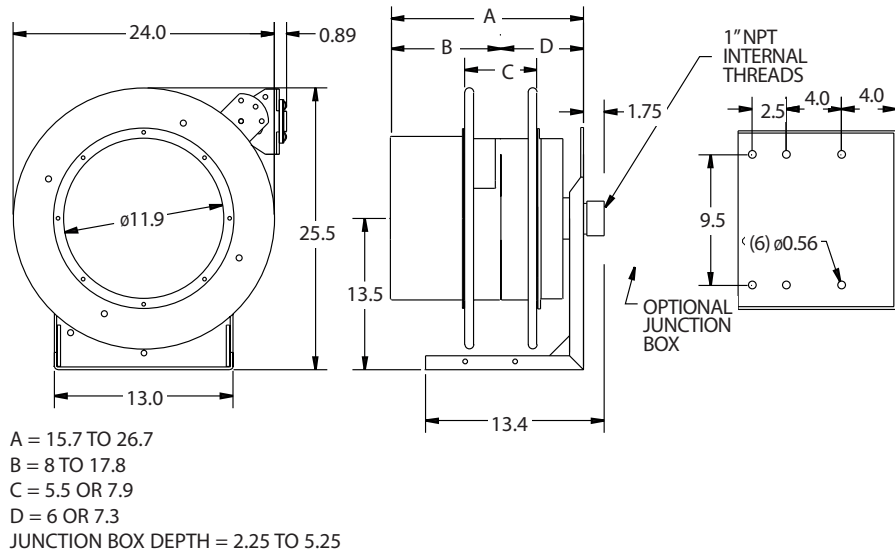
### 6000 Series

3 AND 4 CONDUCTOR REELS HAVE THE SMALLEST DIMENSIONS



### 7000 Series

3 AND 4 CONDUCTOR REELS HAVE THE SMALLEST DIMENSIONS



### 8000 Series

