

5500 Series compact pistol grip station
5500/5600 Series single, dual
& variable speed stations
5700 Series rubber enclosure pendant stations



Pendant Stations

Introduction

Ericson Manufacturing Company provides single, dual and variable speed push button pendant stations. Product offering extends from our compact pistol grip 2-button station to our 8-button variable speed model. In the following pages you will find:

- 5500 Series compact pistol grip station
- 5500/5600 Series single, dual & variable speed stations
- 5700 Series rubber enclosure stations

5500 Series compact pistol grip station

- UL Listed and CSA Certified
- Available with a variety of cord types and lengths
- Full range of replacement parts are available for your field service repair work.
- Available in single, two & three speed models with emergency stop



5500/5600 Series single, dual & variable speed stations

- UL Listed and CSA Certified
- NEMA Type 4X environmental rating

5700 Series rubber enclosure pendant stations

- UL Listed and CSA Certified
- NEMA Type 4X environmental rating
- Available in a variety of standard and custom assemblies

Custom Built Devices

As always, you can turn to Ericson Manufacturing Company to engineer a solution to your application if you do not find a standard catalog item to fit your need; from custom legend plates to custom button configurations. Contact the factory or your local sales representative to find out more.



Pendant Stations

5500 Series Pistol Grip



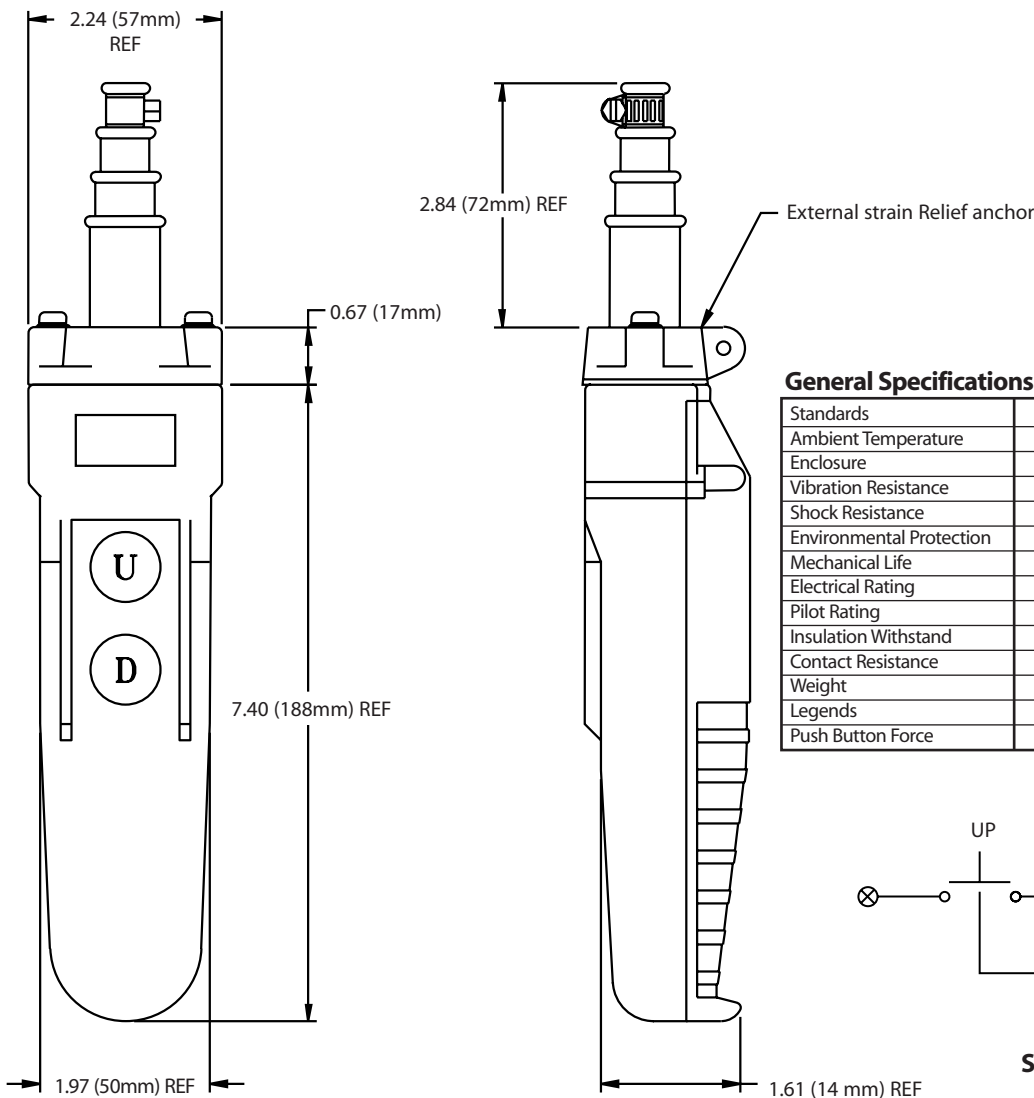
5500 Series Compact Pistol Grip Pendant Station

Ericson's pistol grip pendant stations are ideal for controlling industrial cranes and hoists and for remote jog operation of industrial machines.

- Single speed 5A, 125V contact block
- Compact, lightweight, ergonomic design
- Weighs only 10 ounces
- Less than 2" wide
- Made of high impact ABS resin
- High visibility safety yellow color
- NEMA TYPE 4 waterproof rating
- Internal and external strain relief
- Variable diameter cable bushing with clamp accommodates a wide range of cable sizes
- Easy-to-push pressure switches
- 50 g shock resistance
- UL Listed and CSA certified

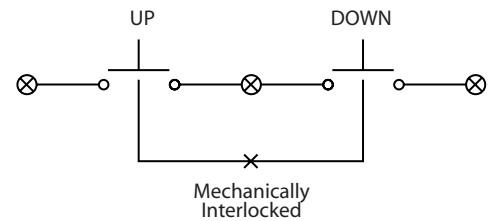
5500 Series Compact Pistol Grip Selection Guide

Cat. No.	Description	Switches	Contact Ratings			NEMA TYPE Rating
			Speed	Amps	Volts	
5502-PG	2-button, single speed pistol grip	2	1	5	125	4



General Specifications

Standards	UL508
Ambient Temperature	-15° C - +50°C
Enclosure	ABS Safety Yellow
Vibration Resistance	10g From 10-55 Hz
Shock Resistance	50g
Environmental Protection	NEMA Type 4
Mechanical Life	AC15 2A & 110V-500,000 Operations
Electrical Rating	General Purpose, 120V, 5A
Pilot Rating	UL Pilot Duty B150
Insulation Withstand	2500VAC/1 Min.
Contact Resistance	Less Than 100M DHM
Weight	10 oz.
Legends	Standard Up/Down. Others Available
Push Button Force	2 Lbs.



SCHEMATIC

Pendant Stations

5500 Series Pistol Grip With Emergency Stop

NEW!

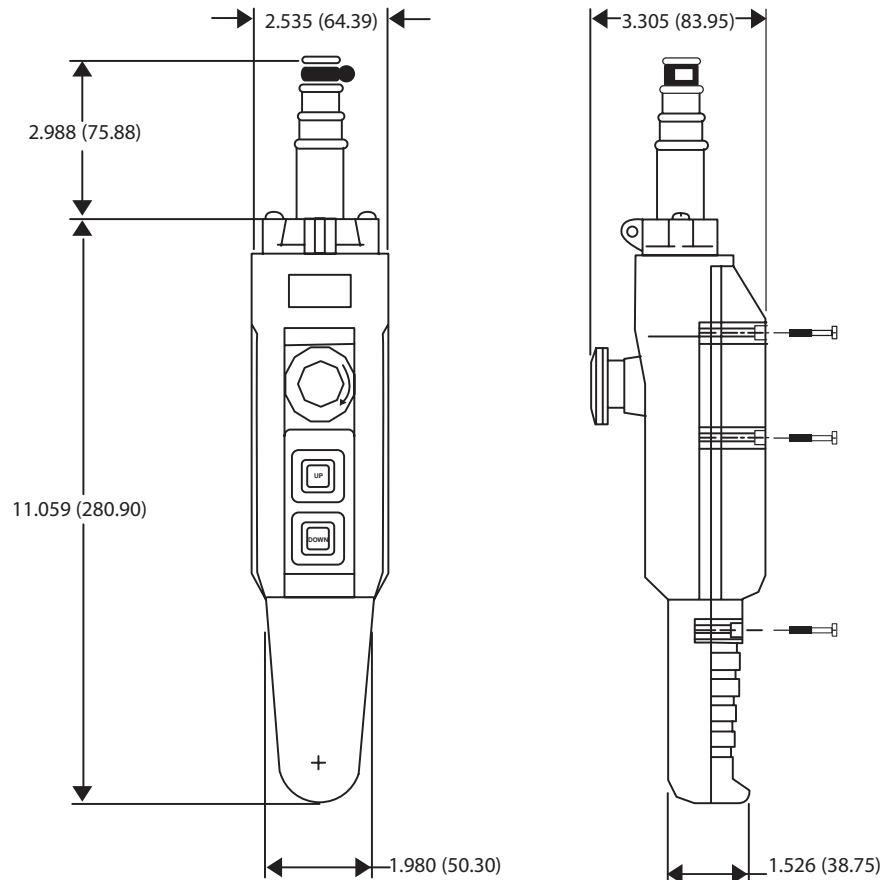


Features:

- Compact design, ergonomically designed with operators comfort in mind.
- Available with 1, 2, or 3, speed buttons
- High impact ABS resin, safety yellow, NEMA 4 enclosure
- Multi-diameter cable busing inlet
- Equipped with interior and exterior anchor for either internal or external strain relief wire

Selection Guide

Catalog Number	Description
5503-PG	2-button, single speed with emergency stop
5503-PG-2	2-button, 2-speed with emergency stop
5503-PG-3	2-button, 3-speed with emergency stop



Pendant Stations

5500/5600 Series

5500/5600 Series Single, Dual & Variable Speed Pendant Stations



- Available in 2 to 12 button configurations
- Single- and two-speed models
- Neoprene boots surround buttons to seal out dirt and moisture
- Two-piece enclosure simplifies field wiring
- Soft pressure and positive indent switches provide optimum tactile feedback so you can feel when switch has been engaged
- Contacts rated at 5A/120VAC
- NEMA TYPEs 1, 3, 4, 4X and 12 along with IP67 suitability enclosure ratings
- Double insulated 2500V withstand voltage
- 100 g shock resistance
- UL Listed and CSA Certified

Lamp & Horn Switch

Knock-out holes in .47 in (12mm) dia. and .75 in. (19mm) dia. are available for a lamp and horn switch on 6 through 12 button pendants.

Buttons

Neoprene booted buttons. Seals out dirt & moisture. Available in red, green, and black.

Jumpers

Included with preassembled pendants only.

Cable Packing Gland

Furnished with bushing available in 16 sizes, insures water tight seal.

Cable Bushings

Available in 8 sizes from .30 in. to 1.16 in. (7.5 mm to 29.5 mm)

Bushing Collar

Two sizes for cable diameters from .30 in to 1.16 in. (7.5mm to 29.5 mm)

Hanger Ring

For external strain relief connection. 'S' hook is available for strain relief cable connection.

Enclosure

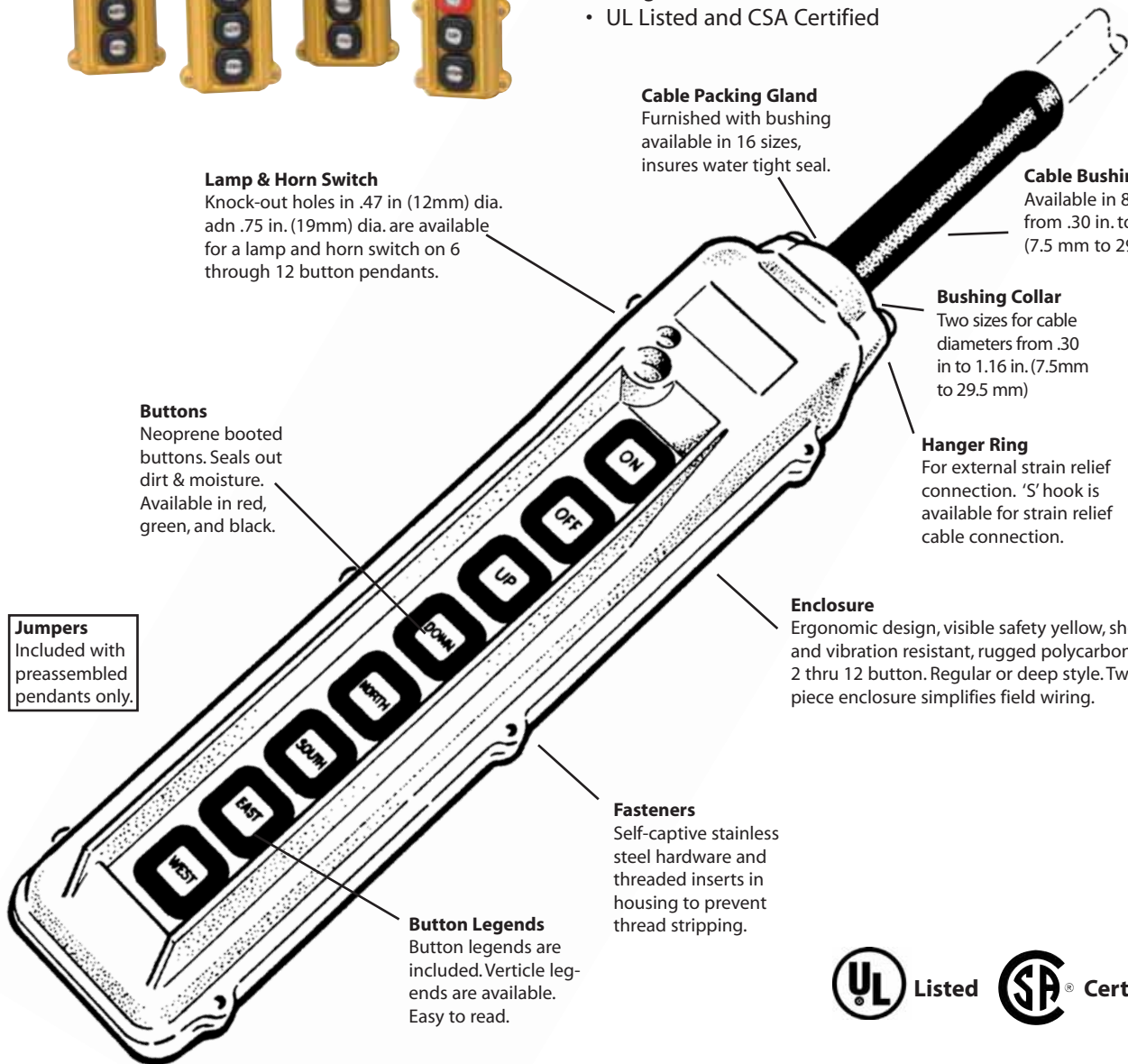
Ergonomic design, visible safety yellow, shock and vibration resistant, rugged polycarbonate. 2 thru 12 button. Regular or deep style. Two piece enclosure simplifies field wiring.

Fasteners

Self-captive stainless steel hardware and threaded inserts in housing to prevent thread stripping.

Button Legends

Button legends are included. Vertical legends are available. Easy to read.



Listed



Certified

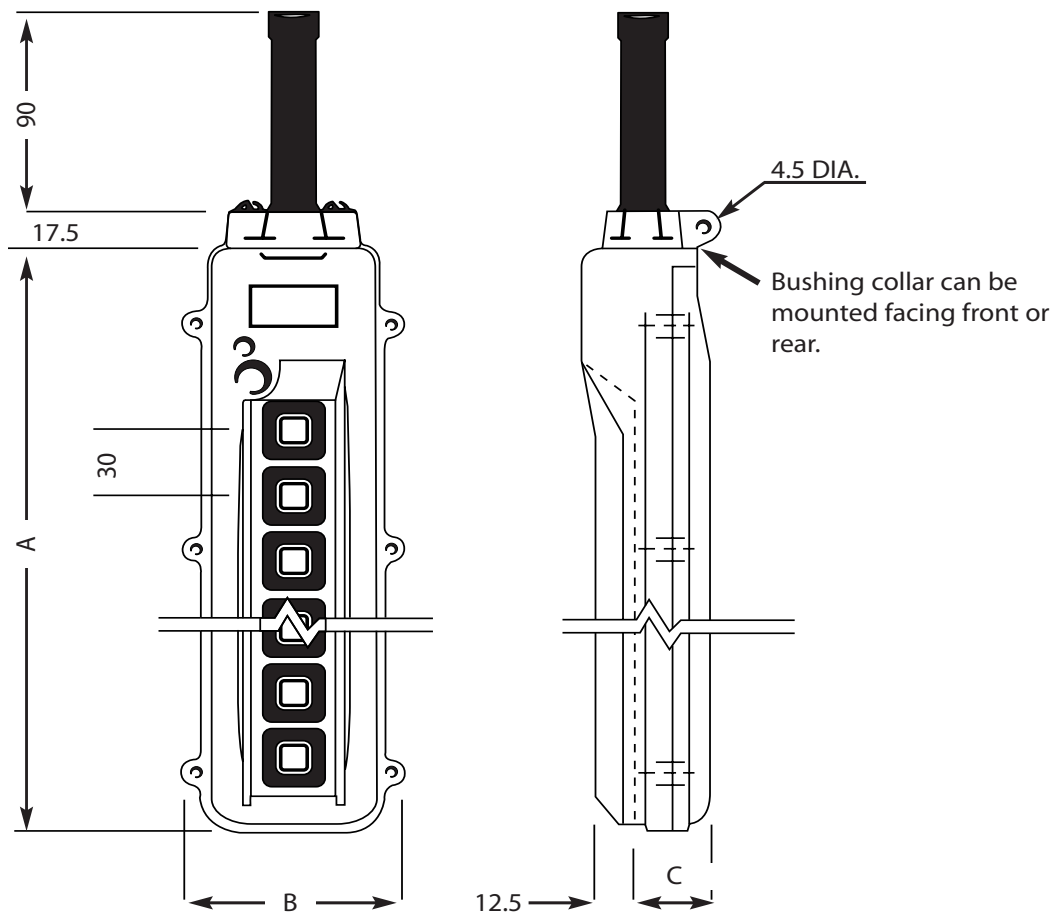
Pendant Stations

5500/5600 Series

5500/5600 Series Single, Dual & Variable Speed Selection Guide

Cat. No.	Description	Switches	Contact Ratings			Cable Dia. Range
			Speed	Amps	Volts	
5502	2-button, single speed	2	1	5	125	.31-.83 in. (8-21mm)
5504	4-button, single speed	4	1	5	125	.31-.83 in. (8-21mm)
5506	6-button, single speed	6	1	5	125	.31-.83 in. (8-21mm)
5508	8-button, single speed	8	1	5	125	.31-.83 in. (8-21mm)
5502-2	2-button, 2-speed	2	2	5	125	.31-.83 in. (8-21mm)
5504-2	4-button, 2-speed	4	2	5	125	.31-.83 in. (8-21mm)
5506-2	6-button, 2-speed	6	2	5	125	.31-.83 in. (8-21mm)
5508-2	8-button, 2-speed	8	2	5	125	.31-.83 in. (8-21mm)
5608-3	8-button, 3-speed	8	3	5	125	.31-.83 in. (8-21mm)
5608-5	8-button, 5-speed	8	5	1	125	.688 - 1.25 in. (17.4 - 31.7mm)

Dimensions



Number of Positions	A Dim.	B Dim.	C Dim.
2	4.49 in. (114 mm)	3.07 in. (78 mm)	1.46 in. (37 mm)
4	7.09 in. (180mm)	3.07 in. (78 mm)	1.46 in. (37 mm)
6	10.31 in. (262 mm)	3.07 in. (82 mm)	1.48 in. (37.5 mm)
8	12.68 in. (322 mm)	3.23 in. (82 mm)	1.48 in. (37.5 mm)
10	15.24 in. (387 mm)	3.43 in. (87 mm)	1.48 in. (37.5 mm)
12	17.60 in. (447 mm)	3.43 in. (87 mm)	1.48 in. (37.5 mm)

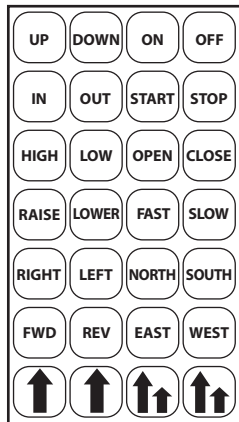
Pendant Stations

Replacement Parts and Legend Sheets

Replacement Parts

Description	Cat. No.
Switch, single speed	5500
Switch, 2-speed	5500-2
Switch, 5-speed	5600-5
Switch, 2-button, start/stop	5601
Switch, N.O. for horn, 6A/125VAC, 3A/250VAC, 19mm dia hole for 5500/5600	5600-HS
Pilot light, neon, red, 120VAC/250VAC, 19mm dia hole for 5500/5600	5600-PL

Button Legend Sheets



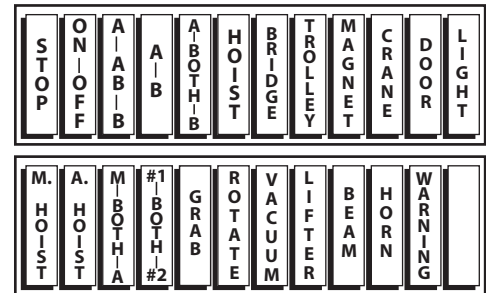
Button Legends

(For push button marking) (1) Sheet included with each assembled pendant.

DESCRIPTION	PART NUMBER
BUTTON LEGEND SHEET	5500-LS
VERTICAL LEGEND SHEET	5500-LSV

Vertical Legends

(For Case Marking)



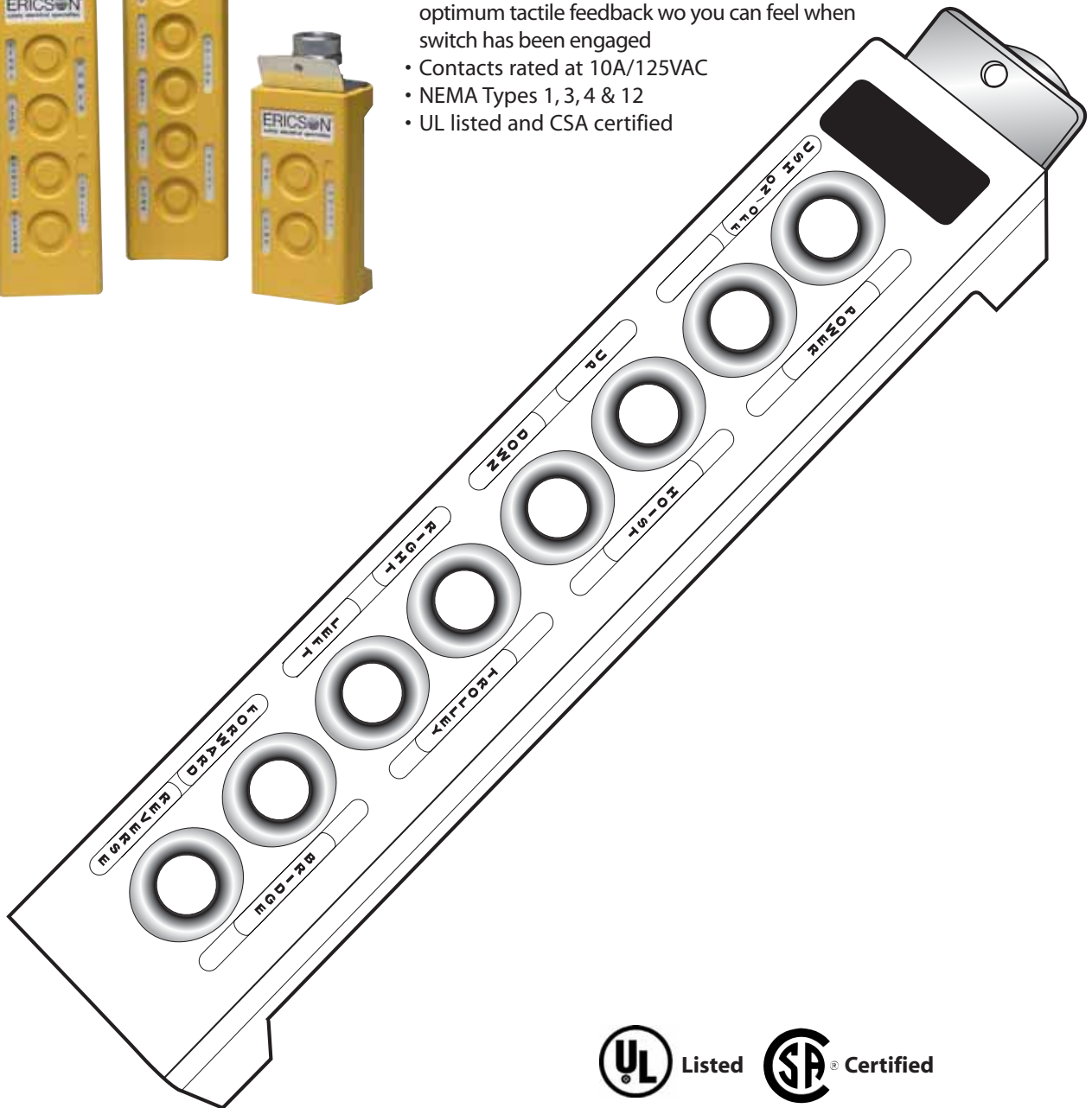
Pendant Stations

5700 Series



5700 Series Rubber Enclosure Pendant Stations

- Available in 2 to 8 button configurations
- Single- and two-speed models
- Built-in strain relief bracket
- Rubber enclosure covers buttons to prevent outside contaminants from entering enclosure
- Standard legend plates (see following page) and cord grip included with each pendant station
- Two-piece enclosure simplifies field wiring
- Soft pressure and positive indent switches provide optimum tactile feedback so you can feel when switch has been engaged
- Contacts rated at 10A/125VAC
- NEMA Types 1, 3, 4 & 12
- UL listed and CSA certified



Listed



Certified

Pendant Stations

5700 Series Rubber Enclosures

5700 Series Rubber Enclosures Selection Guide

Cat. No.	Description	Switches	Speed	Amps	Volts	NEMA TYPE Rating	Cable Dia. Range
5702	2-button, single speed, rbr encl	2	1	10	125	1, 3, 4, 12	.437 - .740 in.
5702-2A	2-button, 2-speed, rbr encl ⁽¹⁾	2	2	10	125	1, 3, 4, 12	.437 - .740 in.
5704	4-button, single speed, rbr encl	4	1	10	125	1, 3, 4, 12	.437 - .740 in.
5704-2A	4-button, 2-speed, rbr encl ⁽¹⁾	4	2	10	125	1, 3, 4, 12	.437 - .740 in.
5706	6-button, single speed, rbr encl	6	1	10	125	1, 3, 4, 12	.437 - .740 in.
5706-2A	6-button, 2-speed, rbr encl ⁽¹⁾	6	2	10	125	1, 3, 4, 12	.437 - .740 in.
5708	8-button, single speed, rbr encl	8	1	10	125	1, 3, 4, 12	.640 - .875 in.
5708-2A	8-button, 2-speed, rbr encl ⁽¹⁾	6	2	10	125	1, 3, 4, 12	.640 - .875 in.

Notes:

1. Standard two-speed switches have cumulative-type make-make contacts. If non-cumulative-type break-before-make contacts are required, delete the "A" in the catalog number when ordering and specify accordingly.

Standard Legend Plates:

2 Button

Hoist
Up
Down
Start
Stop
Red & Green Disc

4 Button

Hoist
Power
Trolley
Up
Down
Right
Left
Forward
Reverse
Start
Stop
Red & Green Disc

6 & 8 Button

Hoist
Trolley
Bridge
Power
Up
Down
Start
Stop
Right
Left
North
South
East
West
Forward
Reverse
4 Tie Straps
Red & Green Disc



An Interworld Highway, LLC Company