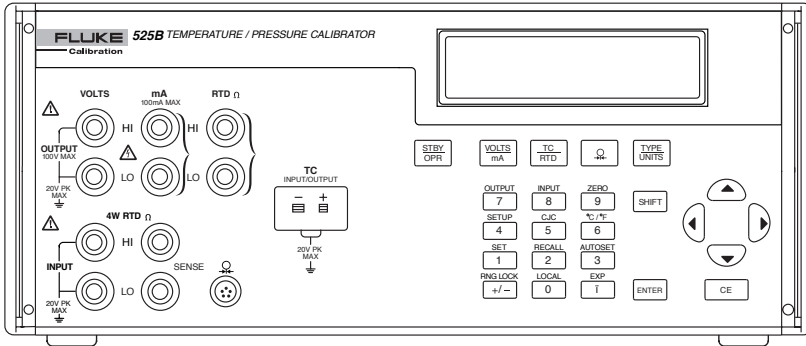
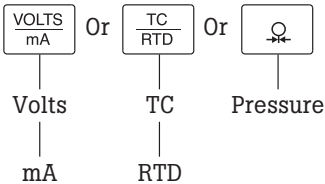


Fluke Calibration 525B Temperature/Pressure Calibrator Quick Reference Guide



Selecting units

Press:



Selecting input/output (Measure/Source)

(Volts, mA are source only, pressure is measure only)



Changing pressure units/probe type

Selected - RTD

- TYPE UNITS
- PT 500-385
 - PT 1K-385
 - PT 100-392
 - PT 100-JIS
 - Ni 120
 - Cu 10
 - YSI-400
 - 400Ω
 - 4 KΩ
 - SPRT 25Ω
 - User-Def

Selected - TC

- TYPE UNITS
- L
 - N
 - R
 - S
 - T
 - U
 - mV/C°
 - B
 - C
 - E
 - J
 - K

Selected - Pressure

- TYPE UNITS
- Kg/cm²
 - PSI
 - in H₂O 4 °C
 - in H₂O 20 °C
 - cm H₂O 4 °C
 - cm H₂O 20 °C
 - bar
 - mbar
 - K Pa
 - in H_g 0 °C
 - mm H_g 0 °C

Sourcing (Output)

STBY
OPR For Volts, mA and RTD
(All others are active when selected)

Setting setpoints (Output only; example is for TC)

- Select desired output type.

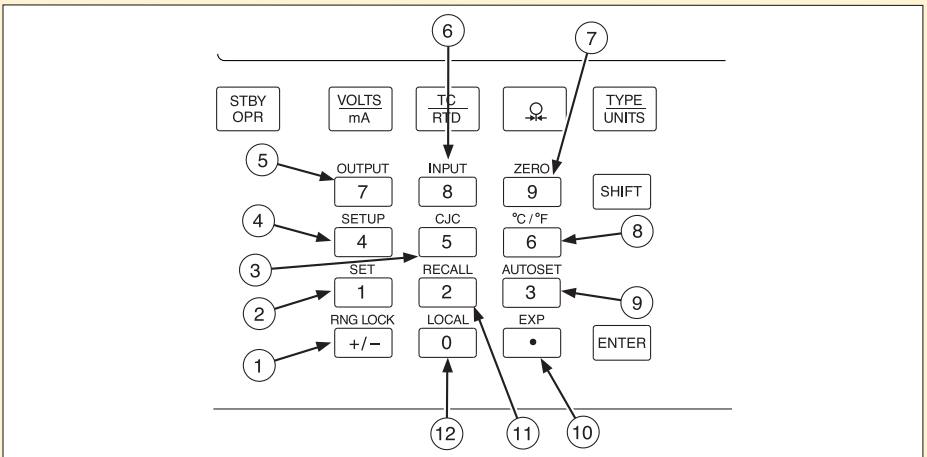
• Enter setpoint value

Then:

Press # of setpoint (1-9).

Repeat up to nine times.

Calibrator function keys reference



No	Name	Description
①	RNG LOCK <input type="text" value="+/-"/>	Activates/deactivates the autorange feature of the calibrator in voltage source modes.
②	SET <input type="text" value="1"/>	Used to program a setpoint step for any output mode. Key in the desired output and press <input type="text" value="SHIFT"/> <input type="text" value="1"/> . SETPOINT # appears on the display. Select a setpoint number from 1 to 9. The output you entered can now be recalled or used in the AUTOSET key described later in this manual. Each TC type, each RTD/OHMS type, mA, and volts each have 9 programmable setpoints.
③	CJC <input type="text" value="5"/>	Toggles between the internal and external cold junction reference locations.
④	SETUP <input type="text" value="4"/>	Press <input type="text" value="ENTER"/> to scroll through the LCD backlight, interface, and address menus. <ul style="list-style-type: none"> • Use <input type="text" value="▲"/> and <input type="text" value="▼"/> to adjust LCD backlight when the LCD menu is displayed. • Use <input type="text" value="▲"/> and <input type="text" value="▼"/> to toggle between serial and GPIB interface when the Interface menu is displayed. • Use <input type="text" value="▲"/> and <input type="text" value="▼"/> to scroll from address:1 to address 30 when the address menu is displayed.

Recalling setpoints

SHIFT

RECALL

2

Press # of setpoint to recall (1-9).

Repeat for ALL setpoints desired.

AutoSet (Automatic timed setpoint)

Uses setpoints already programmed.

SHIFT

AUTOSET

3

Press # of setpoints to use as auto setpoints (1-9).

Press # of seconds to pause and hold setpoints (dwell time) (5-500 sec)

Setpoints cycle starting at setpoint #1 through # of setpoints selected.

Then cycle down to #1 – Repeats until any button on panel is pressed.

No	Name	Description
5	OUTPUT <input type="text" value="7"/>	Selects output mode.
6	INPUT <input type="text" value="8"/>	Selects input mode.
7	ZERO <input type="text" value="9"/>	Zeros the pressure module reading when in pressure measurement mode. Zeros the thermocouple TC mV/°C offset when in TC measurement mode.
8	C/F° <input type="text" value="6"/>	Toggles between centigrade and Fahrenheit when you are using the TC or RTD functions.
9	AUTOSET <input type="text" value="3"/>	AUTOSET runs through the setpoints you entered using the SET function. Press <input type="text" value="SHIFT"/> <input type="text" value="3"/> . AUTO SET POINT? appears on the display. Enter a number between 1 and 9 that corresponds to the number of setpoints being used. DWELL TIME 5-500? appears on the display. Dwell time is the number of seconds between each setpoint. The output cycles through each setpoint and then reverses the order. For example, if 5 is entered for the number of setpoints, the Calibrator cycles through setpoints 1, 2, 3, 4, 5 and then reverses to setpoints 4, 3, 2, and 1. ⚠ Caution Setpoints of 30 V or greater will not go to standby when you use this feature.
10	EXP <input type="text" value="."/>	Used to enter an exponent when you define a custom RTD.
11	RECALL <input type="text" value="2"/>	Used to recall a programmed set point. Press <input type="text" value="SHIFT"/> <input type="text" value="2"/> . RECALL SPT # appears on the display. Enter the number of the output setpoint that you want to use. The output will then be programmed to the setpoint you entered.
12	LOCAL <input type="text" value="0"/>	Used to regain local control of the calibrator. If you set the calibrator to a remote state using the remote commands, all the front panel keys are locked out except the Local key. When you press the Local key, the front panel is unlocked. <i>Note</i> <i>This function does not work when you set the Calibrator using the Remote with Lockout command. In Remote with Lockout mode, ALL keys are locked out and the Local key will not unlock the front panel.</i>

User-defined RTD

(Uses Callendar-Van Dusen constants A, B, C)

- Select RTD
- Scroll to **USR_DEF**
- Select memory # (1-5) to store or recall constants.
- Select
 Or
- ENTER minimum temperature from calibration certificate (i.e. -220 °C)
- ENTER maximum temperature from calibration certificate
- ENTER R_0 (or adjusted value from R_{TPW})
- ENTER coefficient A, B, C from calibration certificate
(default is for PT100-385, 0-620 °C).
 after each coefficient. Use
 and
 when needed.

To recall user-defined values for source or measure:

- Select **RTD_USER_DEF**
- Select memory # (1-5) of RTD to be used.
- Select
- Or
-



Fluke Calibration. Precision, performance, confidence.™

Electrical	RF	Temperature	Pressure	Flow	Software
------------	----	-------------	----------	------	----------

Fluke Calibration
PO Box 9090,
Everett, WA 98206 U.S.A.

Fluke Europe B.V.
PO Box 1186, 5602 BD
Eindhoven, The Netherlands

For more information call:
In the U.S.A. (877) 355-3225 or Fax (425) 446-5116
In Europe/M-East/Africa +31 (0) 40 2675 200 or Fax +31 (0) 40 2675 222
In Canada (800)-36-FLUKE or Fax (905) 890-6866
From other countries +1 (425) 446-5500 or Fax +1 (425) 446-5116
Web access: <http://www.flukecal.com>

©2002, 2009, 2012 Fluke Calibration. Specifications subject to change without notice.
Printed in U.S.A. 12/2012 1638743C_EN

Modification of this document is not permitted without written permission
from Fluke Calibration.