

FLUKE®**Fluke-700PRV-1
Pressure Relief Valve Kit***Instruction Sheet***Introduction**

The Fluke-700PRV-1 Pressure Relief Valve is an adjustable pressure relief valve for the Fluke-700HTP-1 Hydraulic Test Pump. The valve provides a pressure relief setting range of 50 to 400 bar (725 to 5,800 psi).

The 700HTP-1 pump can develop pressures up to 690 bar (10,000 psi). Application of too much pressure can damage some pressure instruments. The pressure relief valves in this kit provides a method to protect pressure instruments from accidental overpressure. When the applied pressure reaches the relief setting of the valve, the valve opens and releases hydraulic fluid pressure.

Specifications

Preset Value ($\pm 10\%$)	Relief Setting Range
2900 psi 200 bar	725 to 5800 psi 50 to 400 bar

Pressure Connection: 1/8-in NPT male thread. This mates with the pressure relief valve port on the 700HTP-1 pump.

Pressure Relief Adjustment Method: Multiturn adjustment screw to set preload on disc springs.

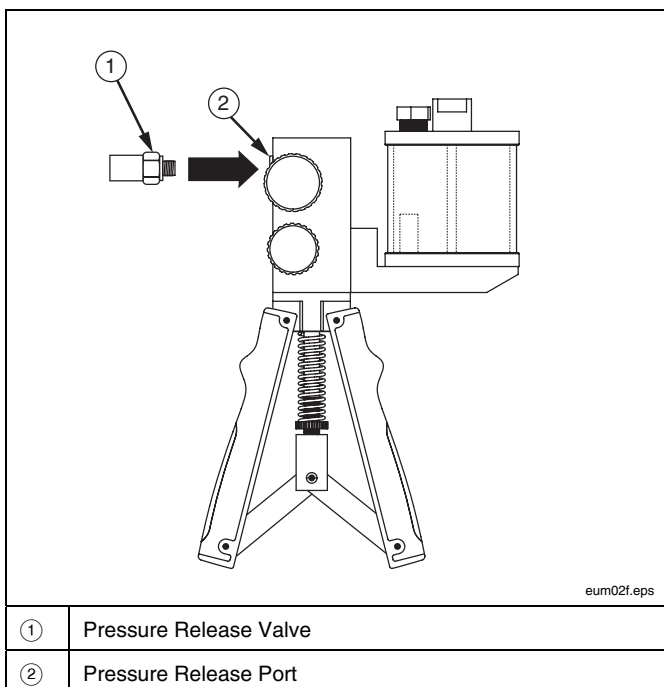
Repeatability of relief setting: $\pm 10\%$ of nominal setting

Material: 303 stainless steel

Dimensions (each): 1.52 in by 0.62 in diameter (38 mm by 16 mm diameter)

Weight (each): 1.6 oz (46 g)

Installing a Pressure Relief Valve



Adjusting the Pressure Relief Setting

Set the pressure relief by trial and error. The table under Specifications shows the preset pressure relief settings at time of shipment. To set the pressure relief lower, turn the adjustment screw counter-clockwise ↺ (loosen it). To set the pressure relief higher, turn the adjustment screw clockwise ↻ (tighten it).

How to Contact Fluke

To contact Fluke or for service, call one of the following telephone numbers:

USA: 1-888-44-FLUKE (1-888-443-5853)

Canada: 1-800-36-FLUKE (1-800-363-5853)

Europe: +31 402-675-200

Japan: +81-3-3434-0181

Singapore: +65-738-5655

Anywhere in the world: +1-425-446-5500

Or, visit Fluke's Web site at www.fluke.com.

Limited Warranty & Limitation of Liability

This Fluke product will be free from defects in material and workmanship for one year from the date of purchase. This warranty does not cover fuses, disposable batteries or damage from accident, neglect, misuse or abnormal conditions of operation or handling. Resellers are not authorized to extend any other warranty on Fluke's behalf. To obtain service during the warranty period, send your defective calibrator to the nearest Fluke Authorized Service Center with a description of the problem.

THIS WARRANTY IS YOUR ONLY REMEDY. NO OTHER WARRANTIES, SUCH AS FITNESS FOR A PARTICULAR PURPOSE, ARE EXPRESSED OR IMPLIED. FLUKE IS NOT LIABLE FOR ANY SPECIAL, INDIRECT, INCIDENTAL OR CONSEQUENTIAL DAMAGES OR LOSSES, ARISING FROM ANY CAUSE OR THEORY. Since some states or countries do not allow the exclusion or limitation of an implied warranty or of incidental or consequential damages, this limitation of liability may not apply to you.

Fluke Corporation
P.O. Box 9090
Everett, WA 98206-9090
U.S.A.

Fluke Europe B.V.
P.O. Box 1186
5602 B.D. Eindhoven
The Netherlands



205 Westwood Ave
Long Branch, NJ 07740
1-877-742-TEST (8378)
Fax: (732) 222-7088
salesteam@Tequipment.NET