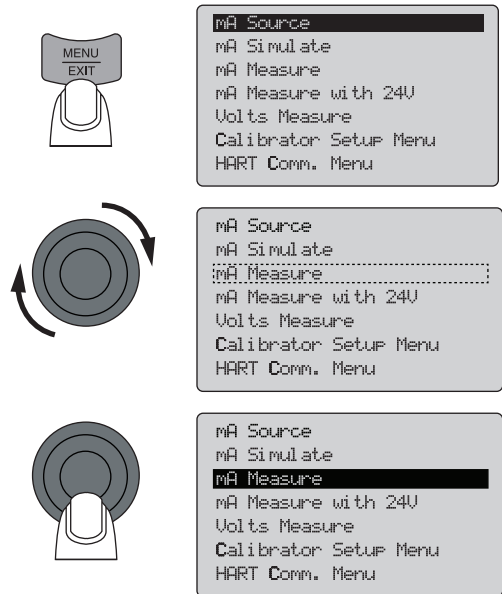


**Precision Loop Calibrator**  
*Quick Reference Guide*

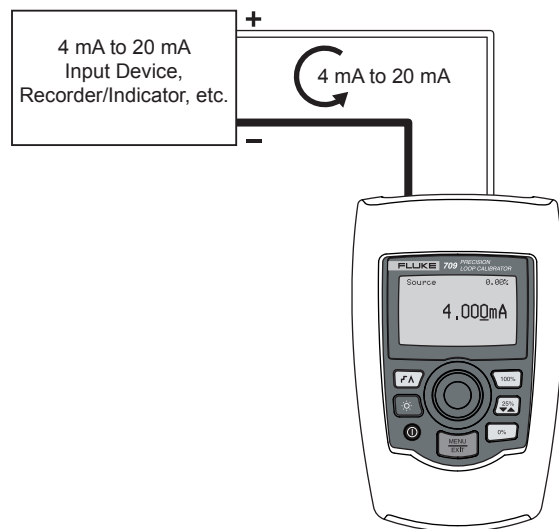
**Warning**

To prevent possible electrical shock, fire, or personal injury, read the "709/709H Safety Information" before you use this Product.

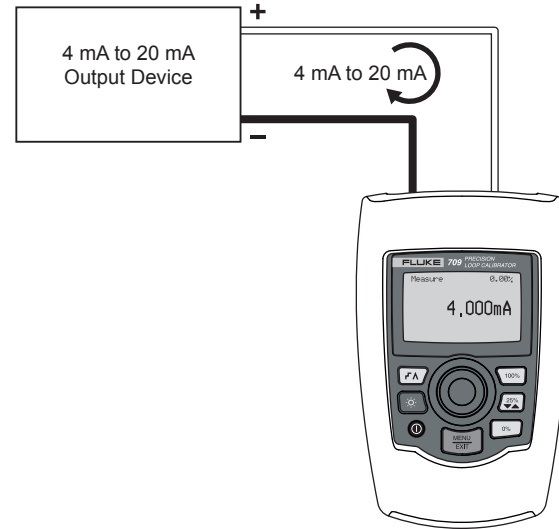
**MENU**



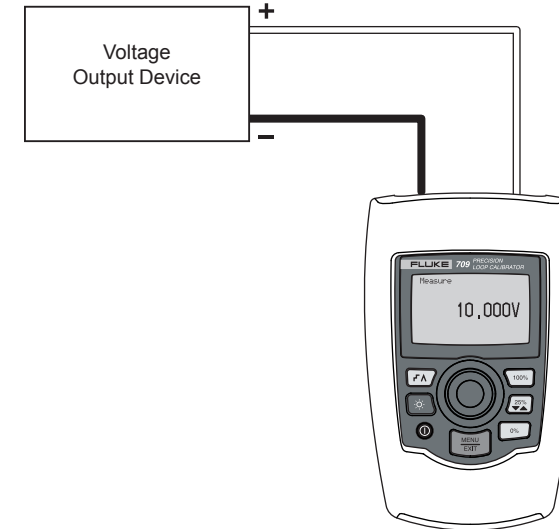
**mA Source**



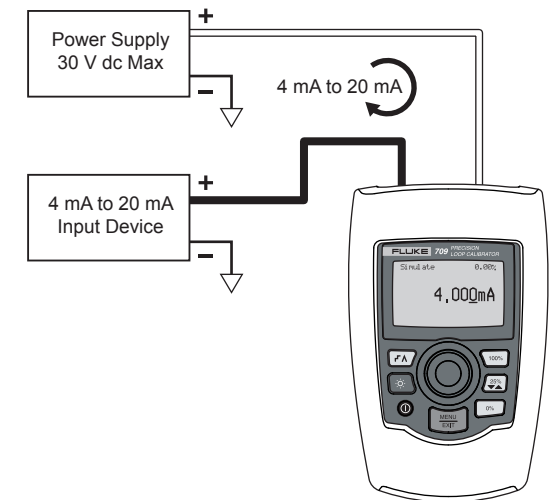
**mA Measure**



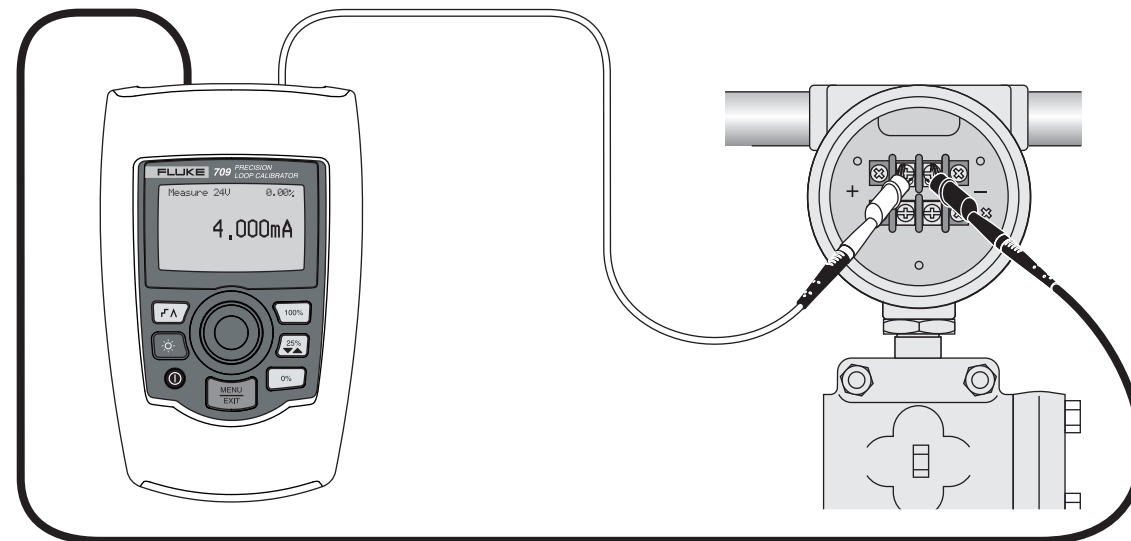
**Volt Measure**



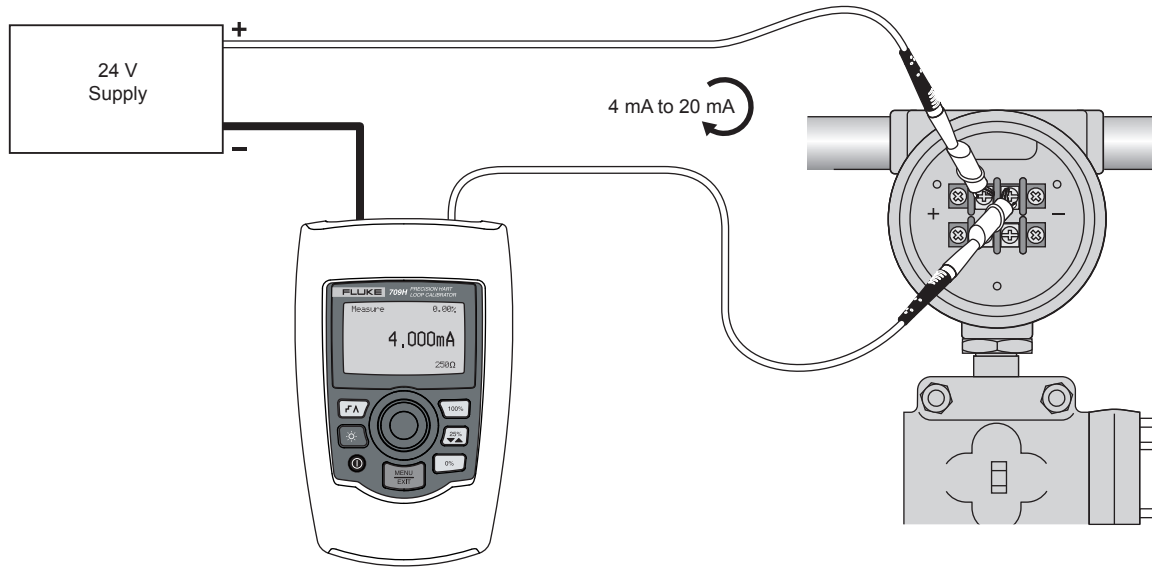
**mA Simulate**



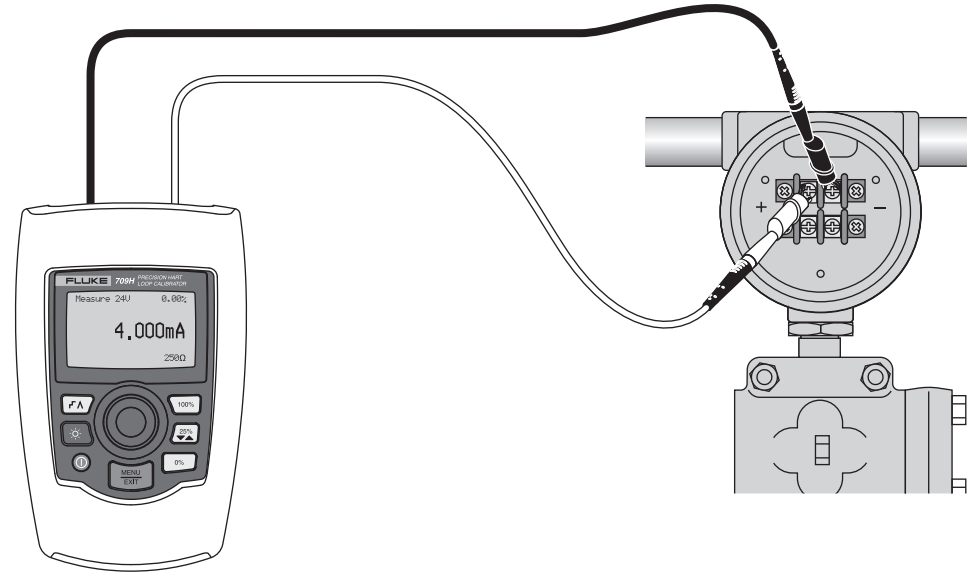
**mA Measure with 24 V**



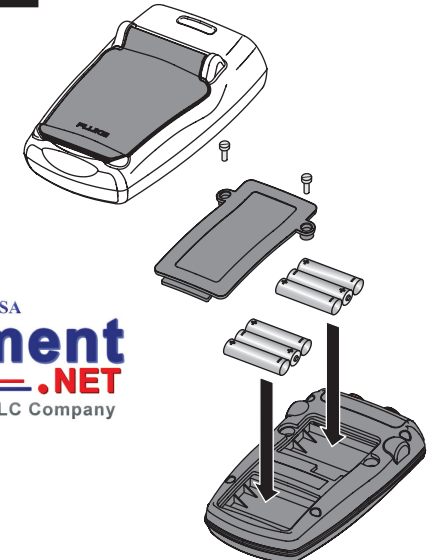
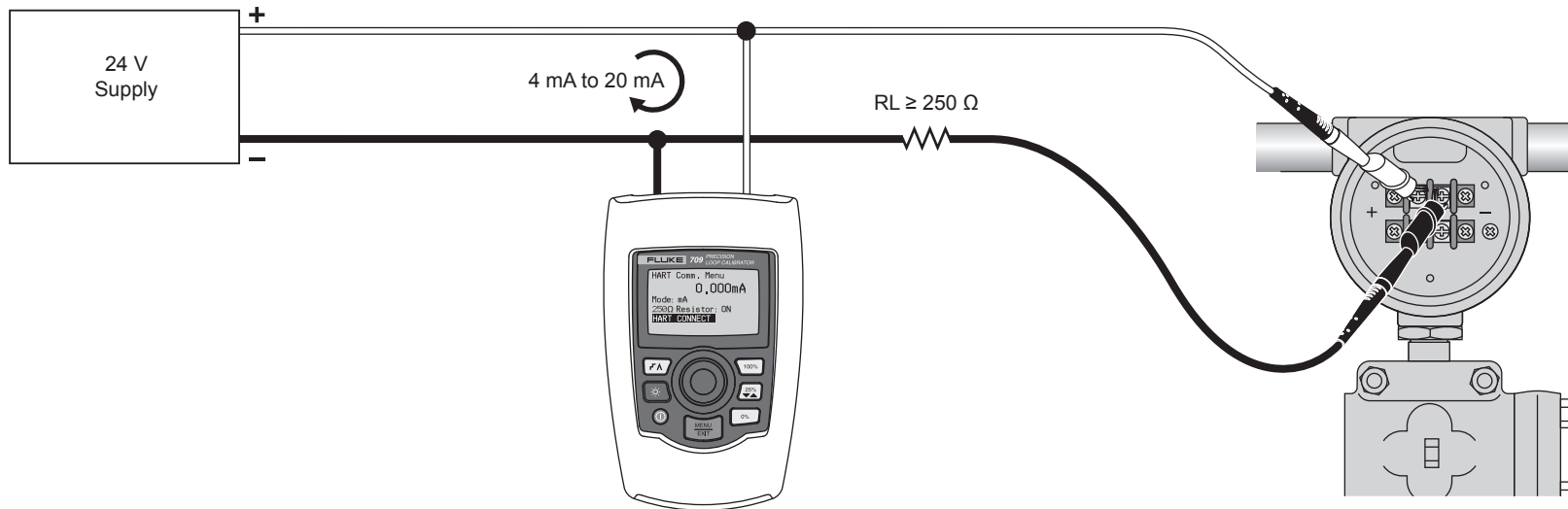
### In Circuit, External Loop Power



### In Circuit, 709H Power



### Across Circuit, Communicator Only



**T**Equipment  
USA  
.NET  
An Interworld Highway, LLC Company