

METRAHIT | 27 and METRAHIT | H+E CAR

METRA HIT 27M: Digital Multimeter and Milliohmmeter

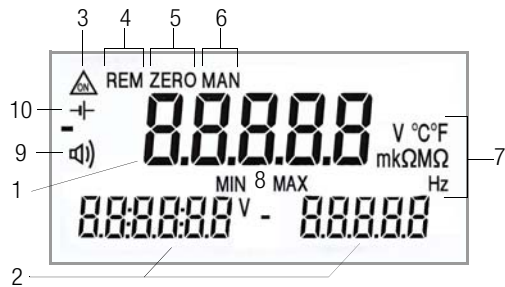
METRA HIT 27I: Digital Multimeter, Milliohmmeter and Megohmmeter

METRA HIT H+E CAR: Mega Tester for Hybrid E-cars

3-349-207-02

10/10.12





- 1 Display (LCD)
 - 2 ON/OFF key
Operating mode menu: open submenus / acknowledge entries
METRA HIT 271: background illumination ON / OFF
 - 3 DATA/CLEAR key for following functions: save measured value, delete and MIN/MAX
Operating mode menu: Selection of individual menu items against direction of flow / increase values
 - 4 MAN/AUTO key for manual measuring range selection
Operating mode menu: Selection of individual menu items in direction of flow, decrease values
 - 5 **FUNC** key for selecting functions, start key INS measurement
Operating mode menu: Exit menu level and return to a higher level/ exit parameters configuration without saving data
 - 6 Rotary selector switch for measuring function
 - 7 Connector jacks *
 - 8 Connector jacks for mains power battery charger NA HIT 27
(only with storage batteries inserted)
- * ⊥ Earthing input
S- Sense -, for 4-wire connection only with Ω/mΩ/mΩ@1A
S+ Sense +, for 4-wire connection only with Ω/mΩ/mΩ@1A
V; Ω; °C, MΩ measurement input

Symbols used in the Digital Display

- 1 Main display with decimal point and polarity display
- 2 Auxiliary display with decimal point and polarity display
- 3 : Multimeter in continuous operation, ON blinks at transmission frequency in transmission mode
- 4 REM: Memory mode operation, disappears after communication via the interface is ended by means of key or switch operation
- 5 ZERO: Zero balancing
- 6 MAN: Manual measuring range selection
- 7 Unit of measure (if blinking, refer to chapter 11.2 on page 16 and chapter 15 on page 26)
- 8 MIN/MAX: Display of smallest/largest recorded values with time specification
- 9 : Acoustic signal enabled, beeper is activated for corresponding function
- 10 : Low storage battery voltage (< 3.3 V), recharge storage batteries

Standard Equipment

Type	27M	27I	27AS	27I Set	H+E CAR	H+E CAR Set
Article Number	M227A	M227B	M227C	M227S	M227T	M227U
Instrument METRA HIT	27M	27I	27I	27I	H+E CAR	H+E CAR
3 size AA NiMH storage batteries	•	•	•	•	•	•
Measurement cable set	KS17-S	KS17-S	KS17-S	KS17-2	—	—
operating instructions	•	•	•	•	•	•
abbreviated operating instructions	•	•	•	•	•	•
GH18 protective rubber cover with carrying strap	green	green	green	green	orange	orange
DAKs calibration certificate	•	•	•	•	•	•
Charging unit NA HIT 27	—	•	•	•	•	•
Kelvin clips KC4 (1 set = 2 each)	—	•	•	•	—	—
Kelvin prob. KC27 (1 set=2 each)	—	—	•	—	—	—
Hard case HC30	—	—	•	•	—	—
Hybrid Diagnostic-Kit	—	—	—	—	—	•

Table of Contents

	Page	Page
1 Safety Features and Precautions	4	
2 Initial Start-Up	5	
3 Selecting Measuring Functions and Measuring Ranges	6	
3.1 Automatic Measuring Range Selection	6	
3.2 Manual Measuring Range Selection	6	
3.3 Quick Measurements	7	
4 Triple Digital Display	7	
5 Measured Value Storage	8	
5.1 Measured Value Storage – Key Function “DATA” (Hold/Compare)	8	
6 Saving Minimum and Maximum Values “MIN/MAX” with Time Stamp	9	
7 Voltage and Frequency Measurement	10	
7.1 Voltage Measurement [V]	10	
7.1.1 Zero Balancing in the 3 V DC Measuring Range	10	
7.1.2 Transient Overvoltages	10	
7.1.3 Voltage Measurements at Above 600 V	10	
7.2 Frequency Measurement [Hz]	11	
8 Resistance and Diode Measurements	11	
8.1 Resistance Measurement (2-wire connection) [Ω]	11	
8.1.1 Zero Balancing in the 300 Ω and 3 k Ω Measuring Ranges	11	
8.2 Continuity Test during Resistance Measurement	12	
8.3 Diode Measurements	12	
9 Milliohm Measurement (4-Pole-Measurement)	13	
9.1 Compensation of Cable Resistance	13	
9.1.1 Measurement with Kelvin Probe KC27	13	
9.2 Thermovoltage Compensation	13	
9.3 Milliohm Measurement with 200 mA or 20 mA DC [m Ω]	14	
9.4 Milliohm Measurement with 1 A Pulsating Measuring Current [m Ω @1 A] (automatic thermovoltage correction in 3 ... 300 m Ω range)	14	
10 Temperature Measurement [°C]	14	
11 Insulation Resistance Measurement [MΩ@...V] (METRA HIT 271 and METRA HIT H+E CAR only)	15	
11.1 Preparing for Measurement	15	
11.2 Insulation Resistance Measurement	16	
11.3 Ending the Measurement and Discharging	16	
12 Using the Menus – from the Initial InFO Menu to Operating and Measuring Parameters	17	
12.1 Sampling <i>rAtE</i>	17	
12.2 Saving Measured Values	17	
12.2.1 Memory Mode – DATA Key Function (see also chapter 5.1)	17	
12.2.2 Memory Mode Operation – STORE Menu Function	18	
12.3 Querying Memory Occupancy – INFO ▷ MEMO/OCCUP	18	
12.4 Clearing the Memory – MEMO ▷ CLEAR	18	
12.5 Activating the Default Values	18	
12.6 Transmission Mode Operation with RS 232 Interface	19	
13 Characteristic Values	22	
14 Maintenance	25	
14.1 Storage Batteries and Batteries	25	
14.2 Fuses	26	
14.3 Housing	26	
14.4 Device Return and Environmentally Compatible Disposal	26	
15 Multimeter Messages	26	
16 Accessories	27	
17 Repair and Replacement Parts Service, Calibration Center* and Rental Instrument Service ..	27	
18 Guarantee	28	
19 Product Support	28	
20 Recalibration	28	

1 Safety Features and Precautions

You have selected an instrument which provides you with high levels of safety.

This instrument fulfills the requirements of the applicable European and national EC guidelines. We confirm this with the CE marking. The relevant declaration of conformity can be obtained from GMC-I Messtechnik GmbH.

The METRA HIT27 or METRA HIT H+E CAR respectively is manufactured and tested in accordance with safety regulations IEC 61010-1:2001 / DIN EN 61010-1:2001 / VDE 0411-1:2002. When used for its intended purpose, safety of the operator, as well as that of the instrument, is assured. Their safety is however not guaranteed, if the instrument is used improperly or handled carelessly.

In order to maintain flawless technical safety conditions, and to assure safe use, it is imperative that you read the operating instructions thoroughly and carefully before placing your instrument into service, and that you follow all instructions contained therein.

Observe the following safety precautions:

- The instrument may only be operated by persons who are capable of recognizing contact hazards and taking the appropriate safety precautions. Contact hazards exist anywhere, where voltages of greater than 33 V (RMS) may occur.
- Avoid working alone when taking measurements which involve contact hazards. Be certain that a second person is present.



Attention!

Maximum allowable voltage between any given connector jack and earth is 600 V, category II.



Attention!

Nominal system voltage may not exceed 600 V. Voltage measurements may only be performed with the selector switch set to the V $\overline{\text{=}}$ or the V \sim position. If the multimeter sockets are confused with the sense sockets, the instrument may be damaged and the operator may be subjected to danger!



Attention!

Contact hazard!

Dangerous voltages at the external jacks may be looped through to the sense sockets during voltage measurement. Therefore do not touch the sense sockets.

- Be prepared for the occurrence of unexpected voltages at devices under test (e.g. defective devices). For example, capacitors may be dangerously charged.
- Make certain that the measurement cables are in flawless condition, e.g. no damage to insulation, no interruptions in cables or plugs etc.

- No measurements may only be made with this instrument in electrical circuits with corona discharge (high-voltage).
- Special care is required when measurements are made in HF electrical circuits. Dangerous pulsating voltages may be present.
- Measurements under moist ambient conditions, or with an instrument with condensation moisture are not permitted.
- Be absolutely certain that the *measuring ranges are not overloaded beyond their allowable capacities*. Limit values are listed in chapter 13 on page 22.
- **The instrument may only be used in power installations if the electrical circuit is protected with a fuse or circuit breaker with a maximum rating of 20 A, and the nominal voltage of the installation does not exceed 600 V.**
- Maximum allowable interference voltage between the jacks (7) and earth briefly amounts to 600 V_{RMS} in all selector switch positions in the event of an error. The fuse blows at an interference voltage value of > 3 V in the m Ω range.
- Be prepared for the occurrence of unexpected voltages at devices under test (e.g. defective devices, after testing coil resistance at contactors etc.), for example, capacitors may be dangerously charged. In the interest of safety, always test for the absence of voltage first with the selector switch in the V $\overline{\text{=}}$ and V \sim positions.
- In order to avoid damage to the instrument when interference voltages are applied (within allowable limit values), the m Ω measuring circuit is equipped with an F1.6A/1000 V fuse, which makes this measuring circuit highly resistive if excessive current should occur in the event of a fault for the duration of overloading.
- **Do not plug the mains power battery charger into the instrument if normal batteries have been installed instead of storage batteries.**



Warning!

The instrument may not be operated in explosive atmospheres, or connected to intrinsically safe electrical circuits.

Meanings of symbols on the instrument:



Warning concerning a source of danger (attention: observe documentation!)



Ground



Mains power battery charger connection for recharging storage batteries (rechargeable batteries)



Continuous, doubled or reinforced insulation

CAT II

Measurement category II device

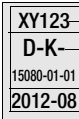


Indicates EC conformity



This device may not be disposed with the trash. For further details on the WEEE marking, please refer to our website www.gossenmetrawatt.com and enter search term 'WEEE'.

DAkkS calibration seal (blue seal):



Consecutive number

Deutsche Akkreditierungsstelle GmbH – calibration laboratory

Registration number

Date of calibration (year - month)

Repair, Parts Replacement and Balancing

When the instrument is opened, voltage conducting parts may be exposed. The instrument must be disconnected from the measuring circuit before the performance of repairs, the replacement of parts, or balancing. If balancing, maintenance or repair of a live open instrument is required, this may only be carried out by trained personnel who are familiar with the dangers involved.

Defects and Extraordinary Strains

If it may be assumed that the instrument can no longer be operated safely, it must be removed from service and secured against unintentional use.

Safe operation can no longer be relied upon,

- If the instrument or the test probes are damaged
- If the instrument no longer functions
- After long periods of storage under unfavorable conditions (e.g. humidity, dust, or excessive temperature), see „Ambient Conditions“, page 24.

2 Initial Start-Up

Storage Batteries or Batteries

Refer to chapter 14.1 regarding correct storage battery or battery installation.



Warning!

The mains power battery charger may not be connected if normal batteries (which are not suited for recharging) have been inserted: Danger of explosion!



Attention!

As a result of internal voltage monitoring, the instrument may respond as follows if the **battery charge level is low** (symbol \leftarrow is displayed):

- Cannot be switched on
- Shuts back down immediately
- Shuts back down immediately when a load is applied during milliohm and insulation resistance measurement.

If this is the case, replace or recharge the storage batteries.



Attention!

The mains power battery charger may only be used to recharge the storage batteries!

Mains power battery chargers with an output voltage of greater than 5 V may not be used. The milliohm meter's internal voltage regulator might otherwise be destroyed. No guarantee claims can be accepted if any mains power battery charger other than the NA HIT 27 is used (available as an accessory).

Switching the Instrument On Manually

- Press the ON/OFF key.
As long as the key is held depressed, all of the segments at the LCD are illuminated. The LCD is shown on page 2. Power-up is acknowledged with a brief acoustic signal. The instrument is ready for use as soon as the key is released.

Switching the Instrument On with a PC

After transmission of a data frame from the PC, the multimeter is switched on. See also chapter 12.6.

Switching the Instrument On Automatically

The multimeter is switched on automatically in the transmission and memory modes.



Note!

Electrical discharge and high frequency interference may cause incorrect displays to appear, and may disable the measuring sequence. In such cases, switch the instrument off and back on again in order to reset. If the problem persists, briefly dislodge the storage batteries from the connector contacts.

Setting Time and Date

See chapter 12 on page 17.

Switching the Instrument Off Manually

- Press and hold the ON/OFF key until OFF appears at the display.

Shutdown is acknowledged with two, brief acoustic signals.

Switching the Instrument Off Automatically – SLEEP MODE

The instrument is switched off automatically if none of the keys or the rotary switch are activated for approximately 10 minutes. Shutdown is acknowledged with a brief acoustic signal.

Transmission mode: In this case, checking is first performed to determine whether or not the sampling rate has been set to a value of greater than 10 s. The instrument is switched off after 10 minutes, but the instrument is reactivated 10 s before data is to be saved to memory. The instrument is then switched back off again.

In the transmission mode, the instrument can be manually activated with the ON/OFF key. After activation of this type, the instrument returns to the “SLEEP MODE”.

If the instrument is to be fully shut down, it must first be activated and then switched off with the ON/OFF key. This ends both memory mode and transmission mode operation.

We recommend setting the instrument to continuous operation for **transmission mode** operation.

The continuous operation mode is not effected by automatic shutdown.

Disabling Automatic Shutdown

The instrument can be set to continuous operation.

- Press and hold the FUNC key and then switch the instrument on by pressing the ON/OFF key. Continuous operation is indicated at the display with the Δ symbol.

Switching LCD Illumination On and Off (METRA HIT 271 only)

- Briefly press the ON/OFF key after the instrument has already been switched on.

Illumination is switched off automatically after approximately 2 minutes.

Note: Electrical discharge and high frequency interference may cause incorrect displays to appear, and may disable the measuring sequence. In such cases, switch the instrument off and back on again in order to reset. If the problem persists, briefly dislodge the storage batteries or batteries from the connector contacts.

Disconnect the instrument from the measuring circuit before opening and refer to chapter 14.1, “Storage Batteries and Batteries”!

3 Selecting Measuring Functions and Measuring Ranges

3.1 Automatic Measuring Range Selection

The multimeter is equipped with auto-ranging for all measuring ranges, except for temperature measurement, and diode and continuity testing. Auto-ranging is active as soon as the multimeter is switched on. The instrument automatically selects the measuring range which allows for highest possible resolution for the applied quantity. When the instrument is switched to frequency measurement, the previously selected voltage measuring range remains active. The instrument automatically switches to the next highest or next lowest measuring range for the following measured quantities:

Measuring Ranges	Resolution	Switching to next highest range at $\pm(\dots d + 1 d)$	Switching to next lowest range at $\pm(\dots d - 1 d)$
V~, V $\overline{\text{---}}$, Hz, Ω , m Ω , 30 / 300 m Ω at 1 A	4%	31,000	2800
3 m Ω @1A, M Ω @...V	3%	3100	280

3.2 Manual Measuring Range Selection

Auto-ranging can be deactivated and measuring ranges can be selected manually in accordance with the following table.

The manual mode is deactivated by pressing and holding the MAN/AUTO key (approx. 1 s), by activating the rotary switch, or by switching the instrument off and then back on again.

\Downarrow MAN/AUTO	Function	Acknowledgement	
		Dis-play	Acoust. Signal
short	Manual mode active: utilized measuring range is fixed	MAN	1 x
short	Range switching sequence for: V: 3 V \rightarrow 30 V \rightarrow 300 V \rightarrow 600 V \rightarrow 3 V \rightarrow ... Hz: 300 Hz \rightarrow 3 kHz \rightarrow 300 Hz \rightarrow ... Ω : 30 M Ω \rightarrow 300 Ω \rightarrow 3 k Ω \rightarrow 30 k Ω \rightarrow 300k Ω \rightarrow 3 M Ω \rightarrow ... m Ω : 30 m Ω \rightarrow 300 m Ω \rightarrow 3 Ω \rightarrow 30 Ω \rightarrow 30 m Ω \rightarrow ... m Ω @1A: 3 m Ω \rightarrow 30 m Ω \rightarrow 300 m Ω \rightarrow 3 m Ω \rightarrow ...	MAN	1 x
long	Return to automatic range selection	—	2 x

Automatic range selection is disabled as long as the MIN/MAX function is active.

3.3 Quick Measurements

If you wish to perform quicker measurements than those possible with the automatic measuring range selection function, make sure to establish the appropriate measuring range:

- by **manual measuring range selection**, i. e. by selecting the measuring range with the best resolution, see chapter 3.2.

or

- via **DATA function**, see chapter 5. After the first measurement, the proper measuring range will be automatically determined so that measurements are performed more rapidly from the second measured value onwards.

With both functions, the established measuring range is maintained for the subsequent series mode measurements.

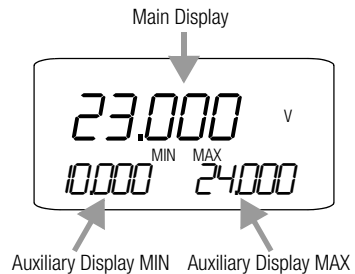
4 Triple Digital Display

The three digital displays (1 main display and 2 auxiliary displays) show the measured value with decimal and plus or minus sign. The selected unit of measure is displayed as well. A minus sign appears to the left of the value during the measurement of zero-frequency quantities, if the plus pole of the measured quantity is applied to the "L" input.

"OL" (overload) appears if the measuring range upper limit is exceeded for the following measured quantities:

V AC, V DC, Hz, Ω , \rightarrow , m Ω , 30 / 300 m Ω at 1 A: 30999
3 m Ω at 1 A, \rightarrow , M Ω @...V: 3099

The digital display is refreshed at different frequencies for the various measured quantities.



The main display appears immediately after the multimeter is switched on, but the auxiliary displays have to be activated by pressing the DATA/CLEAR key (except for position M Ω @...V, where the auxiliary displays appear immediately upon selecting the function).

This assures that any undefined existing condition which prevailed when measurement was started is not continuously displayed as a maximum value, e.g. no-load operation.

In the following flowcharts, the initial displays are highlighted through the use of a bold border line.

5 Measured Value Storage

The METRA HIT27 provides two entirely different options for storing data:

- **Measured Value Memory – DATA Key Function:**
Each time a measuring point is contacted, a measured value is stored in accordance with a defined condition (see chapter 5.1).
- **Memory Mode Operation – STORE Menu Function:**
After activating the STORE menu function, all measured values are saved in accordance with the selected sampling rate. Memory mode operation is ended manually using the same menu function, see chapter 12.2.

In both cases, saved measured values can be read out with the help of METRAwin10 PC software (as of version 5.22). However, read-out is only possible if a BD232 IR adapter has been plugged into the METRA HIT27 and connected to the PC with an interface cable.

5.1 Measured Value Storage – Key Function “DATA” (Hold/Compare)

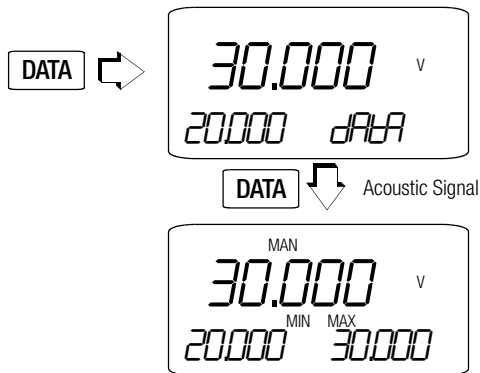
Measured values can be automatically “frozen” with the DATA hold function. This is useful when, for example, contacting the measuring points with the test probes requires your full attention.

Memory should be cleared before starting a measurement series with the DATA key function.

This assures, on the one hand, that adequate memory capacity is available and, on the other hand, that only data from the last measurement series are read out in a contiguous fashion. Check current memory occupancy to this end: INFO ▷ MEMO/OCCUP

Clear memory if required: MEMO ▷ CLEAR.

After the measured value has been applied and the corresponding “condition” from the table below has been fulfilled, the measured value appears at the left-hand auxiliary display and 2 acoustic signals are generated. At the same time, “MAN” appears, indicating that the measuring range is now fixed. The test probes can now be removed from the measuring points, and the measured value can be read from the auxiliary display. If the measured value is less than the value specified in the table, the instrument is reactivated for storage of the next value and “dAtA” blinks at the display. The measured value is saved to non-volatile memory, which is acknowledged by an acoustic signal in each case.



Comparison of measurement values (DATA Compare)

If the newly stored measurement value deviates less than 0.33% of the measuring range from the first measurement value, the acoustic signal (DATA Compare) sounds twice. If it deviates more than 0.33% from the measuring range, only a brief signal sounds.

Function DATA	⇓ DATA	Condition		Response at Instrument		
		Measuring Function	Measurement Value	Meas. Value	Sub-Display dAtA	Acoustic Signal
Switch on	brief					brief
Store (stabilized measurement value)		V, Hz	> 10% of MR	is displayed	is displayed	brief 2x ²⁾
		$\Omega \rightarrow$	OL			
Reactivate ¹⁾		V, Hz	< 10% of MR	stored meas. value	blinks	
		$\Omega \rightarrow$	OL			
Switch to function MIN/MAX	brief	see Table chapter 6				
Quit	long			is deleted	is deleted	2x

¹⁾ Reactivation results from falling short of specified measured value limits.

²⁾ When a measurement value is stored for the first time as a reference value, the acoustic signal sounds twice.

For subsequent data hold, two acoustic signals are only generated if the currently frozen value deviates from the first saved value by less than 0.33% of the measuring range, depending upon resolution.

Key

R = measuring range, MV = measured value

As long as the DATA function is active, the measuring ranges should not be changed manually.

The DATA function is deactivated if the DATA|CLEAR key is pressed and held (approx. 1 s), by turning the rotary switch or by switching the instrument off and back on again.

6 Saving Minimum and Maximum Values "MIN/MAX" with Time Stamp

Minimum and maximum values can be displayed at the auxiliary displays for long-term observation of measured quantities.

- Press the DATA/CLEAR key twice: Current MIN and MAX values appear at the auxiliary displays.

Automatic range selection is disabled as long as the MIN/MAX function is active.

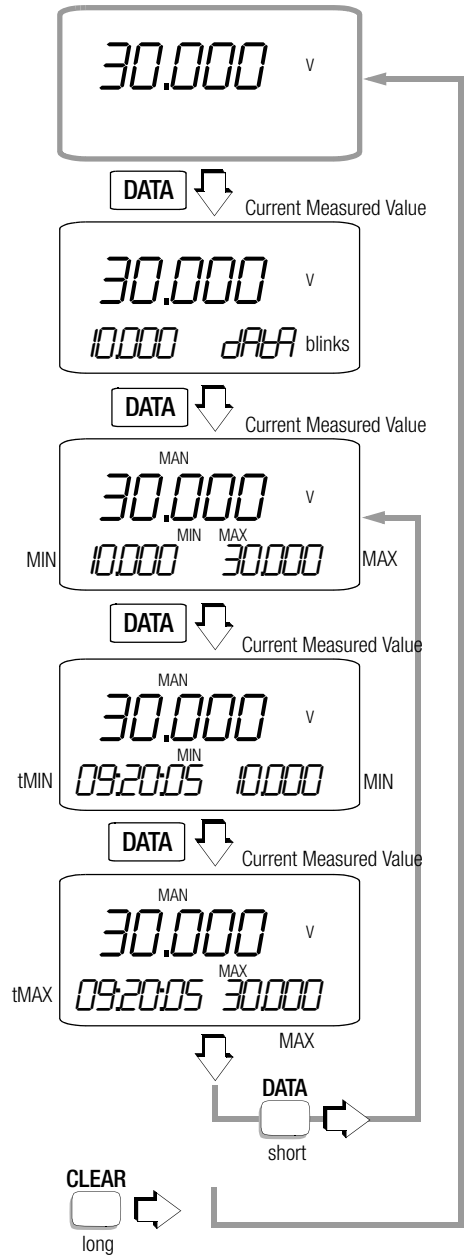
- Press the DATA/CLEAR key once again for a display of the minimum value and the time of its occurrence.
- Press the DATA/CLEAR key once again for a display of the maximum value and the time of its occurrence.

The MIN and MAX values are deleted by pressing and holding the DATA/CLEAR key (approx. 1 s), by turning the rotary switch, or by switching the instrument off and back on again.

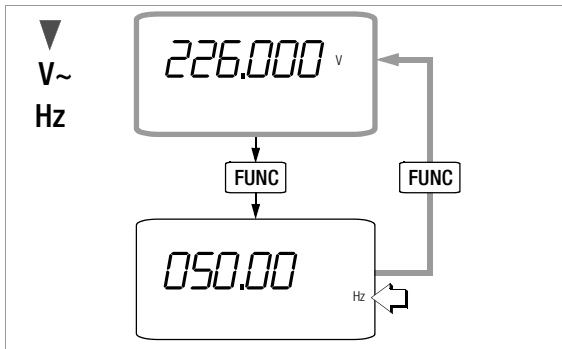
Function MIN/MAX	↓ DATA	MIN and MAX Measured Values / Time of Measurement	Response from Instrument		
			Main Display	Aux. Display	Acoustic Signal
1. Save	2 x short ↓ ↓	are saved	Current measured value	MIN and MAX	1 x
2. Save and Display	short ↓	are saved		t and MIN	1 x
	short ↓		t and MAX	1 x	
3. Return to 1	short ↓	are saved	same as 1	same as 1	1 x
Stop	long ↓	are deleted	is deleted	is deleted	2 x

Note!

No new MIN/MAX values are calculated for a period of 2 to 4 seconds after the measuring range has been changed (depending upon measuring function), in order to allow measured values to settle in.



7 Voltage and Frequency Measurement



7.1 Voltage Measurement [V]

- ⇨ Select voltage type V_{DC} or V_{AC}/Hz with the rotary selector switch as appropriate for the measured quantity.
- ⇨ Connect the measurement cables as shown. The "1" connector jack should be grounded.
- ⇨ **The V_{AC}/Hz selector switch position:** Each time the FUNC key is pressed, voltage and frequency measurement are alternately selected, and switching is acknowledged with an acoustic signal. The respective measured quantity is displayed at the LCD.



Note!

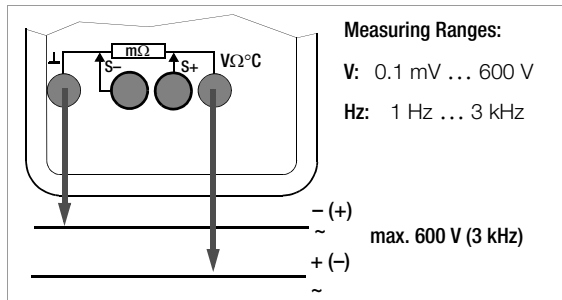
An intermittent acoustic signal warns the operator if the measured value exceeds the upper range limit in the 600 V range.



Attention!

Make sure that a current measuring function (Ω , $m\Omega$, $M\Omega$) or a C measuring function ($^{\circ}$) has not been selected when the multimeter is connected for voltage measurement!

If fuse blowing limits are exceeded as a result of operator error, both the operator and the instrument are in danger!



7.1.1 Zero Balancing in the 3 V DC Measuring Range

- ⇨ Select the 3 V DC measuring range.
- ⇨ Plug the measuring cables into the instrument and connect the free ends to each other.
- ⇨ Press the FUNC key.

The instrument acknowledges zero balancing with an acoustic signal, and „0.0000 V“ and the “ZERO” symbol appear at the display. The voltage value measured at the moment the key is pressed serves as a reference value (2000 digits). It is automatically subtracted from all subsequent measured values. If the measuring range is changed (MAN key), the ZERO function only remains active (at the display and in memory) for the selected measuring range.

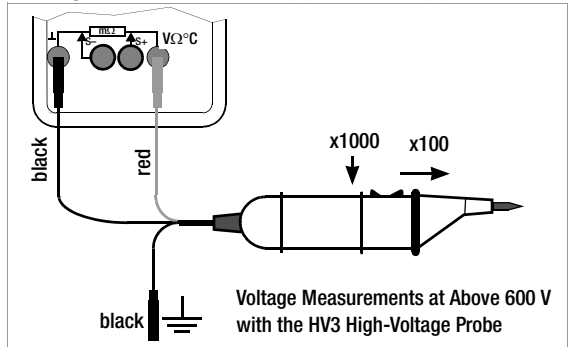
- ⇨ Zero balancing can be deleted:
 - By once again pressing and holding the FUNC key, which is acknowledged with two acoustic signals (ZERO is deleted in the display)
 - By switching the instrument off

7.1.2 Transient Overvoltages

The multimeter is protected against transient overvoltages of up to 4 kV with rise times of 1.2, and halftimes of 50 μs . For measurements at transformers or motors with long pulse durations etc., we recommend the use of our KS30 measuring adapter. It provides protection against transient overvoltages of up to 6 kV with rise times of 10, and halftimes of 1000 μs . It has a continuous load capacity of 1200 V_{RMS} . Additional influence error caused by the KS30 measuring adapter amounts to approximately -2%.

7.1.3 Voltage Measurements at Above 600 V

Voltages of greater than 600 V can be measured with a high-voltage probe, e.g. the HV3¹⁾ or the HV30²⁾ from GMC-I Messtechnik GmbH. It is absolutely essential to ground the bonding terminal. Observe all applicable safety precautions!



¹⁾ HV3: 3 kV

²⁾ HV30: 30 kV, for direct voltage only

7.2 Frequency Measurement [Hz]

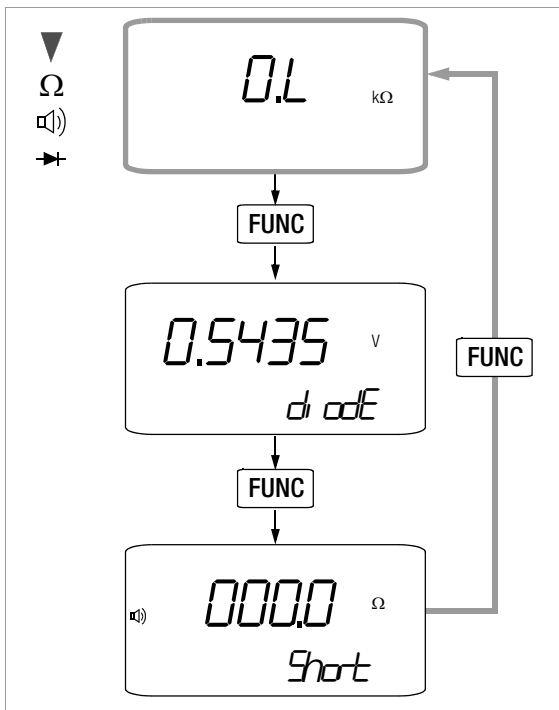
- Select the V~/Hz measuring function with the rotary selector switch.
- Apply the measured quantity as described under voltage measurement.
- Briefly press the FUNC key in order to measure frequency. The frequency values appears at the main display. The frequency measuring range can be selected subsequently by pressing MANIAUTO. The previously selected voltage measuring range remains active.
- The instrument can be switched from frequency measurement back to alternating voltage measurement by pressing the FUNC key once again. This selection is acknowledged with an acoustic signal.



Note!

Frequency measurement is only possible if the measuring signal passes through zero (AC coupling).

8 Resistance and Diode Measurements



8.1 Resistance Measurement (2-wire connection) [Ω]

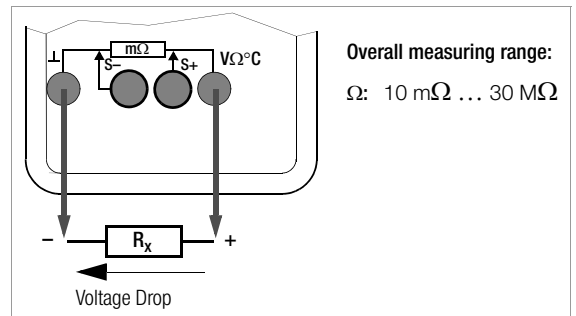
- Make sure that the device under test is voltage-free (see chapter 7.1). Interference voltages distort measurement results and damage the instrument!
- Set the rotary selector switch to "Ω".
- Connect the device under test as shown.



Note!

High Impedance Measurements in the 3 MΩ / 30 MΩ Range

In the event of extremely high resistances the capacitive influence of the person performing the measurement and/or the measuring cable may distort the measured value. Use therefore short or shielded measurement cables.



8.1.1 Zero Balancing in the 300 Ω and 3 kΩ Measuring Ranges

Cable and contact resistances can be eliminated for the measurement of small resistance values in the 300 Ω and 3 kΩ ranges by means of zero balancing:

- Plug the measuring cables into the instrument and connect the free ends to each other.
- Press the FUNC key.

The instrument acknowledges zero balancing with an acoustic signal, and „000.00 Ω“ or „0.0000 kΩ“ and the "ZERO" symbol appear at the display. The resistance value measured at the moment the key is pressed serves as a reference value (max. 20 Ω, or 200 Ω, or 2000 digits). It is automatically subtracted from all subsequent measured values. If the measuring range is changed (MANIAUTO key), the ZERO function remains active (at the display and in memory).

- Zero balancing can be deleted:
 - By once again pressing and holding the FUNC key, which is acknowledged with two acoustic signals,
 - By switching the instrument off.

8.2 Continuity Test during Resistance Measurement $\text{m}\Omega$

If the "acoustic signal $\text{m}\Omega$ " function is activated and the 0 ... 310 Ω measuring range is selected, a continuous acoustic signal is generated by the instrument within a range of 0 to approx. 10 Ω .

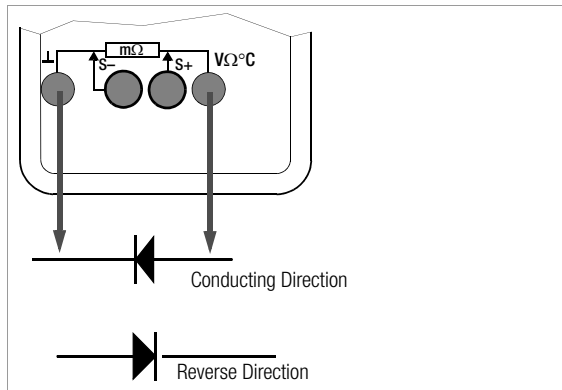
Overflow " OL " is displayed where $R_d > 310 \Omega$.

Activating and Deactivating Continuity Testing (acoustic signal)

- Set the rotary selector switch to " $\Omega/\rightarrow/\text{m}\Omega$ ".
- Repeatedly press the FUNC key until $\text{m}\Omega$ and "Short" appear at the display, provided the connector jacks are open (Display OL).
- Connect the measurement cables to the device under test.
- The instrument is switched to resistance measurement by pressing the FUNC key once again.

8.3 Diode Measurements \rightarrow

- Make sure that the device under test is voltage-free (see chapter 7.1). Interference voltages distort measurement results!
- Set the rotary selector switch to " $\Omega/\rightarrow/\text{m}\Omega$ ".
- Briefly press the FUNC key for diode measurement. Unit of measure "V" and " $d, \text{m}E$ " are then displayed if the connector jacks are open (Display OL).
- Connect the device under test as shown.



Conducting Direction and Short-Circuit

The instrument displays conducting-state voltage in volts. As long as voltage drop does not exceed the maximum display value of 3 V, several series connected components or reference diodes can be tested.

Reverse Direction or Interruption

Overload (OL) is displayed at the instrument for diode measurements where $U_d > 3.1 \text{ V}$. Measuring current is always a constant current of approximately 1 mA.



Note!

Resistors and semiconductors which are connected in parallel to the diode distort measurement results!

9 Milliohm Measurement (4-Pole-Measurement)

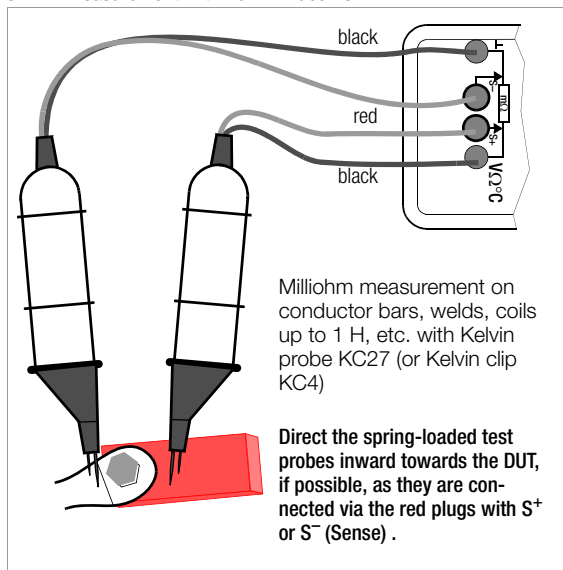
9.1 Compensation of Cable Resistance

Electrical resistance is a dipole quantity which can generally only be measured using two poles. This is accomplished by directing a measuring current of predetermined magnitude through the device under test, and measuring the resultant voltage drop. The respective resistance value is derived from the quotient of these two values.

The two points between which voltage is measured are decisive as regards the results of the measurement. All resistances between these two points add to the measured resistance value. These include contact resistance, as well as cable resistance. If a very low resistance value needs to be measured, for example contact resistance at a contactor with a value of only a few milliohms, the points between which voltage is measured must be moved out of the measuring instrument and positioned as closely as possible to the device under test. For this reason, the measuring instrument is equipped with separate jacks for current feed and voltage measurement. This type of 4-pole connection is known as connection according to Kelvin.

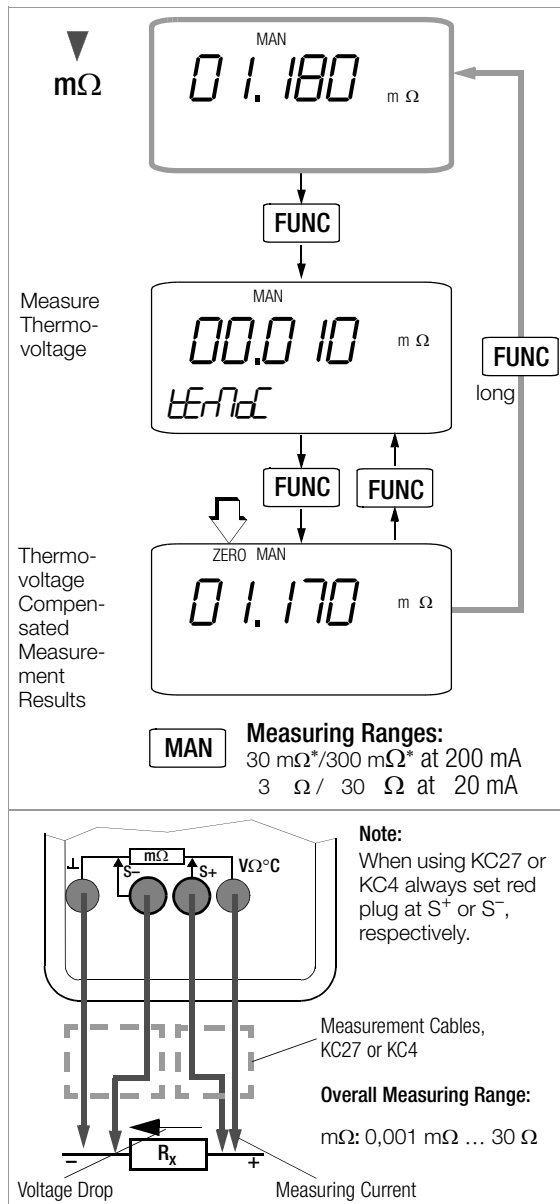
KC4 Kelvin clips and KC27 Kelvin probes (available as accessories) allow for easy, correct connection.

9.1.1 Measurement with Kelvin Probe KC27



9.2 Thermovoltage Compensation

Thermovoltages which occur as a result of material and temperature differences may distort measurement results. For this reason, the instrument is equipped with automatic thermovoltage compensation in the relevant measuring ranges.



Note!

If the measuring current is interrupted during 4-wire-mΩ-measurement or if the fuse is defective, the message „LEAD5 oPEr!“ flashes on the display. If fuse is defective, see chapter 14.2.

9.3 Milliohm Measurement with 200 mA or 20 mA DC [mΩ]

- Make sure that the device under test is voltage-free (see chapter 7.1). Interference voltages distort measurement results!
- Set the rotary selector switch to “mΩ”.
- Connect the device under test as shown. KC4 Kelvin clips and KC27 Kelvin probes (available as accessories) allow for easy, correct connection. Resistance at the current jacks should amount to < 1 Ω.
- If applicable, select the desired measuring range using the MANI/AUTO key: **30 mΩ, 300 mΩ, 3 Ω or 30 Ω**.

This measuring method is suitable for resistances with inductances of up to 1 H.

Thermovoltage Correction in the 30/300 mΩ Range

- Press the FUNC key in order to measure thermovoltage. Wait until the measured value has settled in. This may take several seconds, depending upon inductivity. Then press the FUNC key once again in order to return to the milliohm measuring function. All future measurement result will be corrected based upon the previously measured thermovoltage value. ZERO appears at the display in order to indicate active compensation.

Measurements at Inductive Devices

Coils in motors, choke ballasts and contactors are highly inductive. Changes in current at inductive devices, including switching the milliohmmeter on and off or changing the measuring range, result in a corresponding voltage change. These changes may be of significant magnitude, and may result in arcing under unfavorable conditions. The milliohmmeter is protected against arcing by means of suitable voltage arrestors.

9.4 Milliohm Measurement with 1 A Pulsating Measuring Current [mΩ@1 A] (automatic thermovoltage correction in 3 ... 300 mΩ range)

- Make sure that the device under test is voltage-free (see chapter 7.1). Interference voltages distort measurement results!
- Set the rotary selector switch to “mΩ@1A”.
- Connect the device under test as shown. KC4 Kelvin clips and KC27 Kelvin probes (available as accessories) allow for easy, correct connection. Resistance at the current jacks should amount to < 0.2 Ω.
- If applicable, select the desired measuring range using the MANI/AUTO key: **3 mΩ, (30 mΩ or 300 mΩ)**

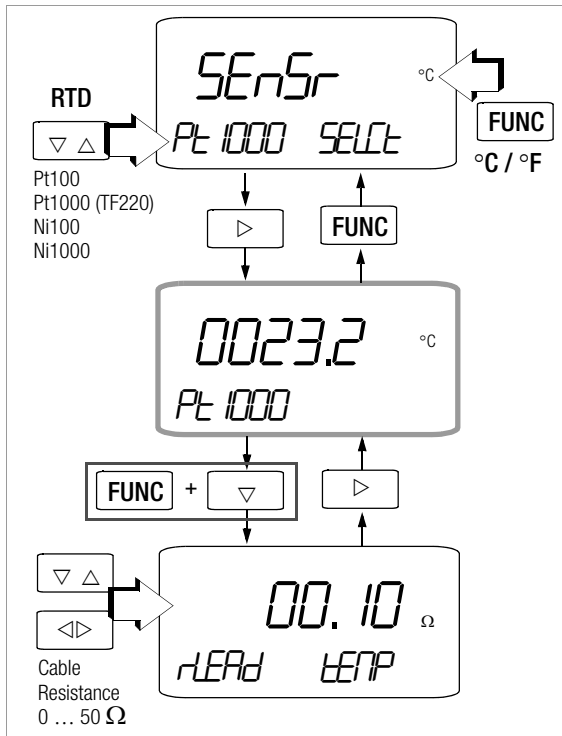
Thermovoltage is compensated automatically.

Note!

Due to high current consumption during this measurement, NiMH storage batteries should be installed **and** the NA HIT 27 mains power battery charger should be used.

10 Temperature Measurement [°C]

Resistance thermometers (available as accessories) are used for temperature measurement. A 2-pole measurement is utilized. Cable resistance is set to 0.1 Ω as a default value.



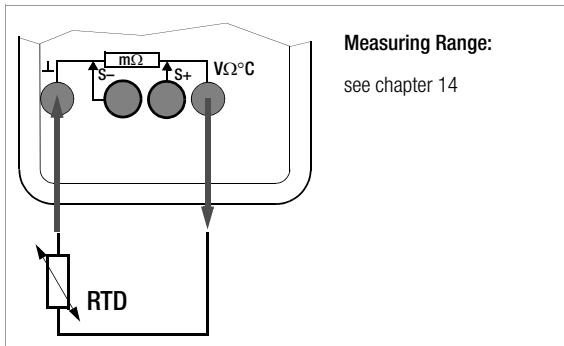
Selecting Temperature Unit of Measure and Sensor Type

- Set the rotary selector switch to “°C”. Press FUNC to access the selection menu for temperature unit of measure and sensor type. *SEnSr* and *SElT* are displayed.
- Press the FUNC key to select the desired temperature unit of measure: °C or °F.
- Select the sensor type (RTD) with the ▽ Δ keys.
- Connect the sensor to the two jacks (see diagram).



Note!

The selected temperature unit of measure and sensor type remain unchanged after exiting the function, and when the instrument is switched off.



Adjusting Cable Resistance

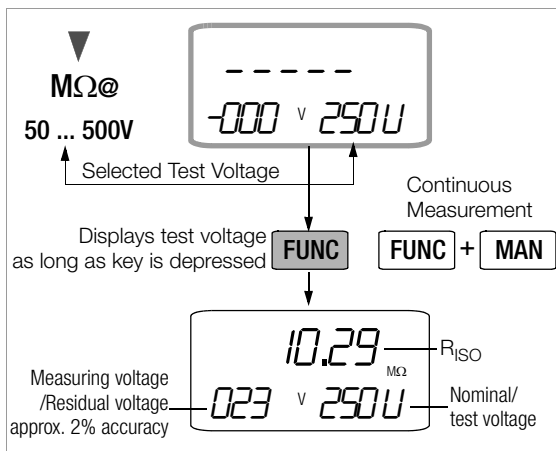
- After selecting a resistance thermometer, the measurement display is accessed by pressing the ▷ key.
- The menu for cable resistance adjustment is opened by simultaneously pressing the ◀ and ▽ keys. *RLED* and *LEFP* are displayed.
- The decade (i.e. the position of the digit to be changed) is selected with the ◀ ▷ keys, and the respective digit is set with the ▽ △ keys.
- The menu is exited upon acknowledging the last digit by pressing the ▷ key, whereupon the measuring display returns. The cable resistance value remains in memory. The default value is 0.1 Ω. Entry is limited to a range of 0 to 50 Ω.



Note!

The selected cable resistance value remains unchanged after exiting the function, and when the instrument is switched off.

11 Insulation Resistance Measurement [$M\Omega@...V$] (METRA HIT 271 and METRA HIT H+E CAR only)



11.1 Preparing for Measurement



Note!

High-resistance measurements

In the event of extremely high resistances the capacitive influence of the person performing the measurement and/or the measuring cable may distort the measured value. Use therefore short or shielded measurement cables.

The measurement cables may not come into contact with one another during high-resistance insulation measurements.

- Set the rotary selector switch to “ $M\Omega@50V$ ”, “100V”, “250V” or “500V”, depending upon the desired test voltage.
- Connect the DUT as shown on the next page.



Note!

Interference voltage

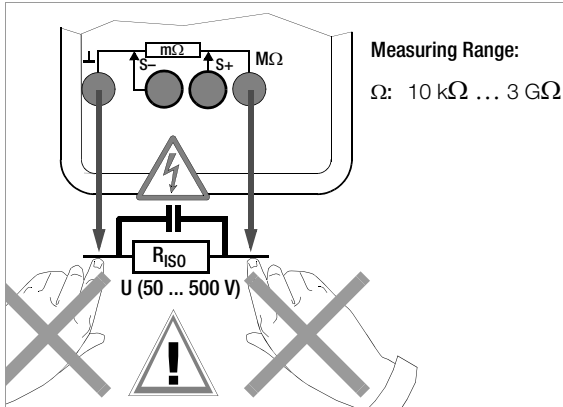
The rotary selector switch may only be set to $M\Omega@...V$ for insulation resistance measurement (not for voltage measurement).

However, if interference voltage is inadvertently applied with the switch in this position, it is displayed at the bottom left. Insulation resistances may only be measured on voltage-free objects.

If an interference voltage of > 50 V is present, insulation resistance measurement is disabled. The LCD continues to display the interference voltage value. If a voltage of greater than 610 V is present, an acoustic signal is generated as well.

**Note!****Testing the Measurement Cables**

Initial testing should be performed by short-circuiting the measurement cables using their test probes. The instrument must display nearly 0 Ω. A broken measurement cable can be detected in this way.

**Attention!**

Do **not** touch the conductive ends of the test probes when the instrument has been activated for the measurement of insulation resistance. You may otherwise be exposed to a current of 1.5 mA (limited in the measuring instrument), and although this is not life endangering, the resulting electrical shock is quite discernible.

Special Case: Capacitive Devices Under Test

If measurement is performed on a capacitive device under test that includes components capable of storing electric energy such as capacitors or long cables (> 100 m) of a specific structure, the DUT may be charged to approximately ± 600 V, depending upon the selected nominal voltage.

Touching the device under test after measurement has been performed may be life endangering in this case!

11.2 Insulation Resistance Measurement

- ⇨ Press and hold the FUNC key until the display settles in, in order to measure insulation resistance.

**Attention!**

The selected and displayed test voltage blinks during measurement.

Attention: Contact hazard!

Current voltage at the device under test appears at the interference or residual voltage display during measurement. This value is slightly less than nominal voltage.

Insulation resistance measurement is ended by releasing the FUNC key.

Auto-ranging is active during insulation resistance measurement. Manual measuring range selection is not possible.

**Note!**

The instrument's storage batteries are rapidly depleted during insulation resistance measurement. Only hold the multifunction key depressed as long as is actually necessary. The continuous measurement described below should only be performed if absolutely necessary. Use NiMH storage batteries only.

Continuous Measurement

- ⇨ Activation: Briefly press the multifunction key and the MANIAUTO key simultaneously. This is acknowledged with an acoustic signal.
- ⇨ Deactivation: Briefly press the multifunction key.

11.3 Ending the Measurement and Discharging

After insulation measurement has been completed (release FUNC key), any remaining residual voltage is displayed which may result from capacitance. As long as this capacitive device under test is discharged via the internal resistor (2 MΩ) of the megohmmeter, contact to the device under test must be maintained. The falling voltage value can be observed at the interference or residual voltage display.

Do not disconnect the device under test until the voltage value has dropped to below 25 V!

12 Using the Menus – from the Initial InFO Menu to Operating and Measuring Parameters

Menu-driven operation via the initial „InFO“ menu allows the user to query online help, activate the memory and query memory occupancy, activate the interface and configure device parameters.

- The initial „InFO“ menu is accessed by simultaneously pressing and holding the FUNC and ON/OFF keys with the instrument switched on, until „InFO“ appears at the display.
- The display can be switched from the main „InFO“ menu to the other main menus including „Store“, „PREF“, „SEnd“ and „SEt“, and then back to the „InFO“ menu, by repeatedly pressing the ∇/Δ keys.
- After accessing the desired main menu, the associated submenus are opened by activating the \triangleright key.
- The desired parameter or the desired function is selected by repeatedly pressing the ∇/Δ keys.
- Acknowledge with the \triangleright key in order to change the corresponding parameter or parameters.
- After the desired digit has been selected with the \langle/\triangleright keys and the value has been adjusted with the ∇/Δ keys, the next digit is accessed with the \triangleright key, or the display is returned to the start menu or switched to the next submenu.
- The measuring mode is started by repeatedly pressing the FUNC key until the measuring display appears.
- The multimeter is switched off by pressing and holding the ON/OFF key until the display goes blank.

The following pages include an overview of the menu structure.

12.1 Sampling rate

The sampling rate specifies the time interval after which the respective measured value is transmitted to the interface or to measured value memory.

Certain sampling rate limit values apply to various measured quantities, and these may not be exceeded (see table below).

Measured Quantity	Sampling Rate
V ---	0.5 s
V ~, →, 🔊	0.5 s
m Ω , Ω 🔊, °C (Pt100, Pt1000)	0.5 s
Hz	1 s
m Ω @1A	1.5 s

12.2 Saving Measured Values

The METRA HIT27 provides two entirely different options for storing data:

- **Measured Value Memory – DATA Key Function:**
Each time a measuring point is contacted, a measured value is stored in accordance with a defined condition (see chapter 5.1 and chapter 12.2.1).
- **Memory Mode Operation – STORE Menu Function:**
After activating the STORE menu function, all measured values are saved in accordance with the selected sampling rate. Memory mode operation is ended manually using the same menu function.

In both cases, saved measured values can be read out with the help of METRAWin10 PC software (as of version 5.22). However, read-out is only possible if a USB-HIT IR adapter has been plugged into the METRA HIT27 and connected to the PC with an interface cable.

12.2.1 Memory Mode – DATA Key Function (see also chapter 5.1)

The instrument is equipped with a measured value memory (32 kB) which is synchronized with a quartz movement, and has an average capacity of 1000 measured values. Minimum capacity is 800 measured values and maximum capacity is 1200 measured values.

Data are stored and can be transmitted directly to a PC with the METRAWin10 software. Date and time must be reset if the storage batteries are depleted or the batteries or storage batteries are replaced.

Measured values are stored in so-called blocks. Measured values resulting from the same measuring function are saved to the same block.

Only absolute values and absolute time stamps can be saved, i.e. no relative or Δ values, and no relative time stamps.

Memory content can only be read out with the help of a PC, an IR adapter (USB-HIT), and METRAWin10 analysis software.

Stored measurement data blocks are retained even if the instrument is without voltage supply.

Preparing for Memory Mode Operation

- First set the **sampling rate** for memory mode operation, and then start memory mode operation.
The sampling rate can also be changed during memory mode operation.
- First select the desired measuring function and an appropriate measuring range.
- Check the storage battery charge level before starting long-term measurement recordings (see chapter 14.1 on page 25). Connect the mains power battery charger if applicable.

12.2.2 Memory Mode Operation – STORE Menu Function

- ↗ First set the **sampling rate** for memory mode operation, and then start memory mode operation.
The sampling rate can also be changed during memory mode operation.
- ↗ First select the desired measuring function and an appropriate measuring range.
- ↗ Check the storage battery charge level before starting long-term measurement recordings, see chapter 14.1 on page 25. Connect the charger if necessary.

Starting Memory Mode Operation with Menu Functions

- ↗ Open the “Operating Mode” menu (refer to the menu diagram) and select the StorE function.
- ↗ Now activate the ▷ key to open the start menu for memory mode operation: StArT blinks.
Activate the ▷ key once again in order to start memory mode operation: REM appears at the display.
- ↗ Press the ◁ key in order to switch to the measuring function.

A new memory block is created when another measuring function is selected with the rotary switch or the FUNC key. Data storage then continues automatically. The “SLEEP MODE” is still active, i.e. the device is switched on and off automatically at sampling rates of long duration (see chapter 2).

When memory capacity has been exhausted, MEMO FULL appears at the display, and an acoustic signal is generated simultaneously. The signal can be deactivated by pressing any key.

REM Display

The REM symbol indicates that memory mode operation has been activated via menu function STORE.

Press the ◁ key if you wish to monitor the measured values also during the memory process.

The „STORE“ function cannot be started while the „DATA“ function is activated.

Exiting Memory Mode Operation with Menu Functions

- ↗ Select the StorE menu.
- ↗ Activate the ▷ key: StOP blinks.
- ↗ Activate the ▷ key once again: the auxiliary displays are cleared. Memory mode operation has now been deactivated.
- ↗ Press the ◁ key in order to return to the measuring function.
- ↗ Memory mode operation can also be exited by switching the instrument off.

12.3 Querying Memory Occupancy – INFO ▷ MEMO/OCCUP

Memory occupancy can be queried from the „IrFD“ menu. The main display shows current occupancy as a percentage between 001 and 100%

12.4 Clearing the Memory – MEMO ▷ CLEAR



Attention!

This function deletes all measured values from memory.

This function cannot be performed during memory mode; bUSY_{MEMO} is displayed instead of CLEAR.

12.5 Activating the Default Values

Previously entered changes can be undone, and the default settings can be reactivated. This may be advisable after the occurrence of software or hardware errors.

- ↗ Simultaneously press and hold the FUNC, MANIAUTO and DATA|CLEAR keys, and switch the instrument on with the ON|OFFkey.

12.6 Transmission Mode Operation with RS 232 Interface

The METRA HIT27 is equipped with a bidirectional infrared interface for the transmission of measurement data to a PC. Data are transferred optically through the instrument housing by means of infrared light to an interface adapter (accessory USB-HIT), which is attached to the instrument. The adapter's USB-HIT-interface allows for the establishment of a connection to the PC via an interface cable.

The driver to be installed assigns a virtual COM interface to the instrument. It is not possible to set up a multi-channel system with this adapter.

Beyond this, commands and parameters can be transmitted from the PC to the instrument as well. The following functions can be executed:


- Configuration and read-out of measuring parameters
- Measuring function and measuring range selection
- Start measurements
- Read out measured values

Activating the Interface

The interface is switched on manually as described below for transmission mode operation. The instrument continuously transmits measurement data to the PC via the interface adapter in this operating mode. The interface is activated automatically by the PC for receiving operation (i.e. the instrument receives data from the PC).

Starting Transmission with Menu Functions

InFO ▾ SEnd ▷ StArt ▷

The  symbol blinks at the display in order to indicate interface operation.

Automatic Activation and Deactivation of the Transmission Mode

If the sampling rate is 20 s or longer, the display is switched off automatically between samples in order to prolong storage battery or battery service life.

Exception: continuous operation

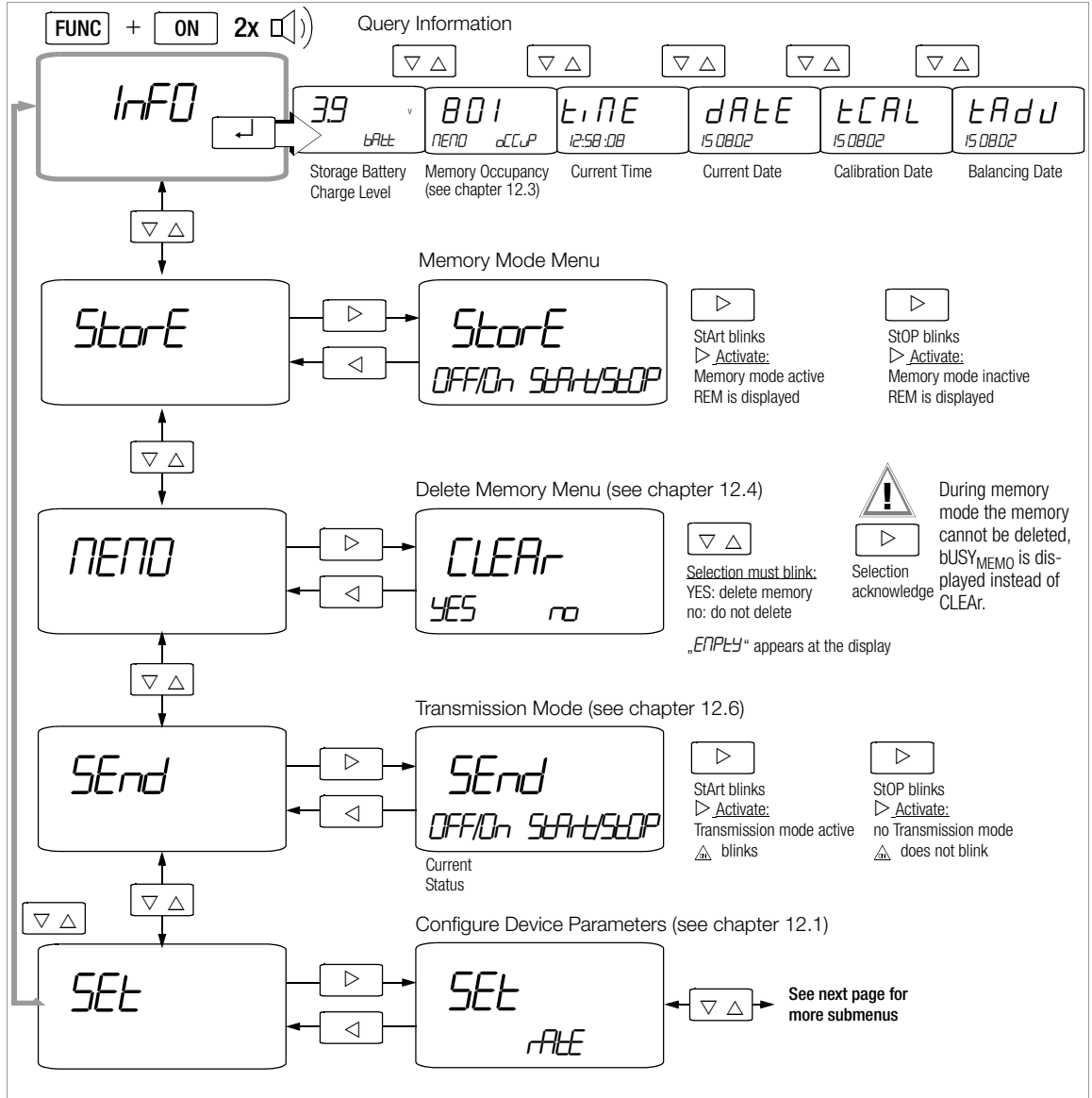
As soon as an event occurs, the display is automatically switched back on.

Configuring Interface Parameters

Addr – Address

If several instruments are connected to the PC via interface adapters, a unique address must be assigned to each device. Address 1 should be used for the first device, address 2 for the second etc. If only one multimeter is utilized, an address between 1 and 14 should be used. Address 15 is not used for addressing, i.e. the device with address 15 always responds, regardless of the actual address.

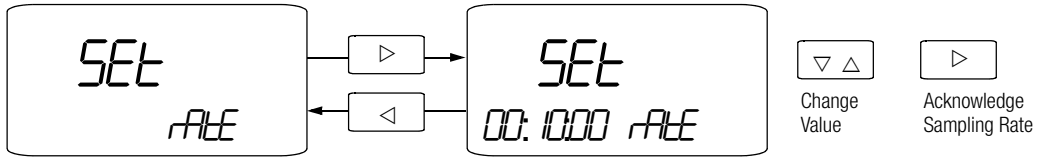
Main Menus and Submenus



SEt Submenu for rAtE, Addr, dAtE and tIME Parameters

Continued from previous page

Set Sampling Rate (see also chapter 12.1)



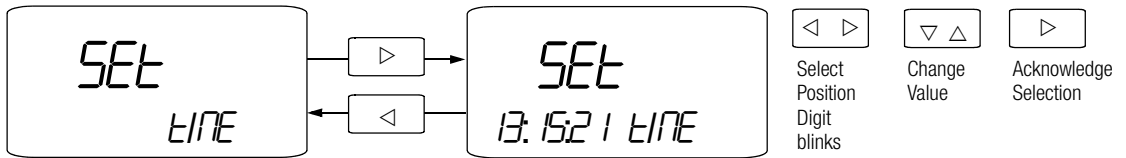
Possible Settings

(hh:mm:ss, h = hours, m = minutes, s = seconds)

00:00:01, 00:00:02, 00:00:05, 00:00:10, 00:00:20, 00:01:00

00:02:00, 00:05:00, 00:10:00, 00:20:00, 01:00:00; 0.50 = 500 ms

Set Time



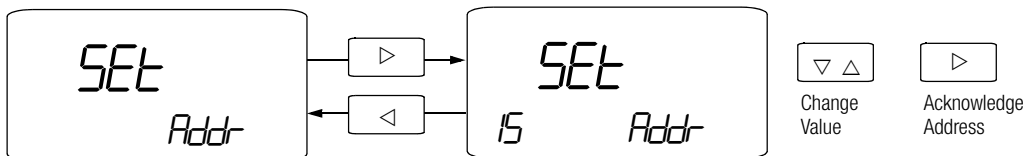
Possible Settings (hh:mm:ss, hh=hours, mm=minutes, ss=seconds)

Set Date



Possible Settings (DD:MM:YY, DD=day, MM=month, YY=year)

Set Device Address



Possible Settings (see also chapter 12.6): 0 ... 15

13 Characteristic Values

Measuring Function	Measuring Range	Resolution at Upper Range Limit 4% 30000 / 3% 3000 ¹⁾		Input Impedance		Intrinsic Uncertainty at Max. Resolution under Reference Conditions ±(...% rdg. + ... d)		Overload Capacity ³⁾	
				DC	AC ⁶⁾	DC	AC ⁶⁾	Value	Time
V	3 V	100 μV	2.1 MΩ	2.1 MΩ // < 50 pF	0.1 + 10 ⁴⁾	0.2 + 10 (>500d)	600 V DC AC RMS sine	Cont.	
	30 V	1 mV	2.1 MΩ	2.1 MΩ // < 50 pF	0.1 + 5	0.2 + 10 (>500d)			
	300 V	10 mV	2.1 MΩ	2.1 MΩ // < 50 pF	0.1 + 5	0.2 + 10 (>500d)			
	600 V	100 mV	2.1 MΩ	2.1 MΩ // < 50 pF	0.1 + 5	0.2 + 10 (>500d)			
			Open-circuit voltage	Meas. current approx.	±(...% rdg. + ... d)				
mΩ@1A (4 L)	3 mΩ	0.001 mΩ	3.5 ... 4 V	1 A ⁷⁾	1 + 10		±0.6 V 11)	Cont.	
	30 mΩ	0.001 mΩ	3.5 ... 4 V	1 A ⁷⁾	0.5 + 10				
	300 mΩ	0.01 mΩ	3.5 ... 4 V	1 A ⁷⁾	0.5 + 10				
mΩ (4 L)	30 mΩ	0.01 mΩ	3.5 ... 4 V	200 mA	0.25 + 10		±0.6 V 11) 4)	Cont.	
	300 mΩ	0.01 mΩ	3.5 ... 4 V	200 mA					
	3 Ω	0.1 mΩ	3.5 ... 4 V	20 mA					
	30 Ω	1 mΩ	3.5 ... 4 V	20 mA					
Ω (2 L)	300 Ω	10 mΩ	3.5 ... 4 V	1 mA	0.1 + 10 ⁴⁾		600 V DC AC RMS sine	max. 10 s	
	3 kΩ	100 mΩ	3.5 ... 4 V	100 μA	0.1 + 5 ⁴⁾				
	30 kΩ	1 Ω	3.5 ... 4 V	20 μA	0.1 + 5				
	300 kΩ	10 Ω	3.5 ... 4 V	20 μA	0.1 + 5				
	3 MΩ	100 Ω	3.5 ... 4 V	10 μA	0.1 + 5				
	30 MΩ	1 kΩ	3.5 ... 4 V	10 μA	1.5 + 10				
Ω)	300 Ω	0.1 Ω	3 V	1 mA	1 + 5				
→)	3 V	0.1 mV	3 V	1 mA	1 + 5				
			Test Voltage	Measuring Current					
MΩ@ ...V	30 MΩ	0.01 MΩ	50/100/250/500 V		< 1.5 mA		600 V DC/AC	max. 10 s	
	300 MΩ	0.1 MΩ	50/100/250/500 V						
	3000MΩ ¹⁰⁾	1 MΩ	50/100/250/500 V						
			f_{min} ²⁾		±(...% rdg. + ... d)				
Hz	300 Hz	0.01 Hz	1 Hz		0.05 + 5 ⁵⁾		600 V AC	Cont.	
	3 kHz	0.1 Hz							
	Temperature Sensor	Measuring Range	Resolution	Intrinsic Error at Max. Resolution under Reference Conditions ±(...% rdg. + ... d)⁸⁾					
°C/°F	Pt 100 ⁹⁾	-200.0 ... +100.0 °C	0.1 °K	1 K + 5		600 V DC AC RMS sine	max. 10 s		
		+100.0 ... +600.0 °C		0.5 + 5					
	Pt 1000	-200.0 ... +100.0 °C		1 K + 5					
		+100.0 ... +600.0 °C		0.5 + 5					
	Ni 100	-60.0 ... +180.0 °C		0.5 + 5					
		-60.0 ... +180.0 °C		0.5 + 5					

1) Display: 3% places in the range of 3 mΩ@1A, 30 mΩ, Ω), MΩ@...V;
A different sampling rate can be selected in the rAtE menu for saving and transmitting measured values.

2) Lowest measurable frequency for sinusoidal measuring signals symmetrical to the zero point

3) At 0° ... + 40° C

4) ZERO is displayed for "zero balancing" function.

5) Range 3 V~: U_E = 0.15 V_{eff/rms} ... 3 V_{eff/rms}
 30 V~: U_E = 1.5 V_{eff/rms} ... 30 V_{eff/rms}
 300 V~: U_E = 15 V_{eff/rms} ... 300 V_{eff/rms}
 600 V~: U_E = 30 V_{eff/rms} ... 600 V_{eff/rms}

For voltages > 100 V: power limiting of 1.8 · 10⁶ V · Hz

6) 20 ... 45 ... 65 Hz ... 1 kHz sine, see influences on page 23.

7) Pulsating measuring current with interval of T = 1 s

8) Plus sensor deviation

9) Temperature value is calculated from the characteristic curve per EN 60751
In the event of extremely high resistances the capacitive influence of the person performing the measurement and/or the measuring cable may distort the measured value. Use therefore short or shielded measurement cables.

11) In the event of an overload, the integrated FF1.6A/1000V fuse is triggered.

Key

rdg. = reading (measured value), R = measuring range, d = digit(s), 2/4 L = 2/4-wire connection

Influencing Quantities and Influence Error

Influencing Quantity	Sphere of Influence	Measured Quantity / Measuring Range ¹⁾	Influence Error $\pm (... \% \text{ rdg.} + d)/10 \text{ K}$
Temperature	0 ... +21 °C and +25... +40 °C	V DC	0.1 + 5
		V AC	0.5 + 5
		mΩ@ 1 A 4L	1 + 5
		mΩ@ 200 mA 4L	1 + 5
		300 Ω ... 300 kΩ 2L	0.2 + 5
		3 MΩ 2L	0.5 + 5
		30 MΩ 2L	1 + 5
		Insulation 30 MΩ ... 3 GΩ	2 + 5
		Hz	0.1 + 5
°C (RTD)	0.5 + 10		

¹⁾ With zero balancing

Influencing Quantity	Frequency	Measured Quantity / Measuring Range	Influence Error ²⁾ $\pm (... \% \text{ rdg.} + d)$
Frequency V_{AC}	> 20 Hz ... 45 Hz	3 V up to 600.0 V	2 + 10
	> 65 Hz ... 1 kHz		

²⁾ Specified error valid as of display values of 10% of the measuring range

Influencing Quantity	Sphere of Influence	Measured Quantity / Measuring Range ¹⁾	Influence Error
Relative humidity	75% 3 days instrument off	All measured quantities	1 x intrinsic uncertainty

¹⁾ With zero balancing

Influencing Quantity	Sphere of Influence	Measuring Range	Damping $\pm \text{dB}$
Common Mode Interference Voltage	Interference quantity max. 600 V ~ 50 Hz, 60 Hz sine	V DC	> 90 dB
		30 V ~	> 80 dB
		300 V ~	> 70 dB
		600 V ~	> 60 dB
Series Mode Interference Voltage	Interference quantity: V~, respective nominal value of the measuring range, max. 600 V ~, 50 Hz, 60 Hz sine	V =	> 60 dB
		Interference quantity max. 600 V DC	V ~

Real-Time Clock

Accuracy ± 1 minute per month
Temperature Influence 50 ppm/K

Reference Conditions

Ambient temperature $+23^\circ \text{C} \pm 2 \text{K}$
Relative humidity, Measured quantity frequency 45 ... 65 Hz
Measured quantity waveshape Sinusoidal, deviation between RMS and rectified value < 0.1%
Storage battery voltage $3.6 \text{V} \pm 0.2 \text{V}$

Response Time

Response Time (after manual range selection)

Measured Quantity / Measuring Range	Response Time for Digital Display	Measured Quantity Step Function
V DC, V AC	1.5 s	from 0 to 80% of upper range limit value
mΩ@ 1 A 4L	2 s	from ∞ to 50% of upper range limit value
mΩ	1.5 s	
300 Ω ... 3 MΩ	2 s	
3 GΩ *	5 s	
↔) Continuity	< 50 ms	
→←	1.5 s	from 0 to 50% of upper range limit value
°C Pt100	max. 3 s	
> 10 Hz	1.5 s	

* without parallel capacity

Display

LCD panel (65 mm x 30 mm) with display of up to 3 measured values, unit of measure, type of current and various special functions.

Display / Char. Height 7-segment characters
Main display: 12 mm
Auxiliary displays: 7 mm
Number of places 4 1/2 places \cong 30999 steps
Overflow display „0.L“ appears
Polarity display “-” sign is displayed if plus pole is connected to “1”
LCD test All display segments available during operation of the METRA HIT27 are activated after the instrument is switched on.
Background illumination METRA HIT 271 only

Power Supply

Storage batteries 3 ea. 1.2 V NiMH storage batteries (AA size) (≥ 2100 mAh)

Service life with set of 2100 mAh NiMH storage batteries

Measuring Function	Current [mA] / 3.6 V	Service Life [h]
V, Hz, Ω, →, °C	70	30
mΩ@1A	700	3
mΩ@200mA	260	8
mΩ@20mA	85	24
MΩ@ ... V / 1 MΩ	100	21
Standby (MEM + clock)	0.15	approx. 1 year

Additional consumption for:

Interface operation 0.5 mA

LCD illumination 25 mA at 3.6 V
If voltage drops below 2.7 V, the instrument is switched off automatically.

Storage battery test “+” is displayed automatically if storage battery voltage drops to below approx. 3.3 V (at mΩ@1A < 3.1 V).

Storage battery charging With NA HIT 27 (Z218J) mains power battery charger; e.g. set of storage batteries 2100 mAh: recharging time 20 h
or
With external NiMH battery quick charger Z206D: recharging time approx. 2 hours

Fuses

Fusable links for all mΩ measuring ranges FF (UR) 1.6 A/1000 V AC/DC, 6.3 mm x 32 mm; 10 kA switching capacity at 1000 V AC/DC and ohmic load

Acoustic signal For display > 610 V in 600 V range (intermittent tone, 250 ms on/off)

Electrical Safety

Safety class II per IEC/EN 61010-1:2001 /VDE 0411-1:2002

measurement category II

Operating voltage 600 V

Fouling factor 2

Test voltage 3.5 kV~ per IEC/EN 61010-1:2001/ VDE 0411-1:2002

Electromagnetic Compatibility (EMC)

Interference emission EN 61326-1:2006 class B

Interference immunity EN 61326-1:2006

EN 61326-2-1:2006

Data Interface

Data transmission bidirectional, optical via infrared light through the housing (read data and configure parameters)

With interface adapter as accessory

BD232 IR to RS 232C, serial, per DIN 19241, cascable for multi-channel operation

USB-HIT IR to USB 1.1/USB 2.0, single-channel operation

baud rate (MM ↔ PC) 9600 baud

Ambient Conditions

Accuracy range 0° C ... +40° C

Operating temperature -10° C ... +50° C

Storage temperature -25° C ... +70° C (w/o storage batteries)

Relative humidity 45% ... 75%, no condensation allowed to 2000 m

Elevation Indoors only, except within specified ambient conditions

Mechanical Design

Protection Housing: IP 54
Connector jacks: IP20

Extract from table on the meaning of IP codes

IP XY (1 st digit X)	Protection against foreign object entry	IP XY (2 nd digit Y)	Protection against the penetration of water
0	not protected	0	not protected
1	≥ 50.0 mm Ø	1	vertically falling drops
2	≥ 12.5 mm Ø	2	vertically falling drops with enclosure tilted 15°
3	≥ 2.5 mm Ø	3	spraying water
4	≥ 1.0 mm Ø	4	splashing water
5	dust protected	5	water jets

Dimensions 84 mm x 195 mm x 35 mm

Weight Approx. 420 gr. with storage batteries (without GH18 protective rubber cover)

14 Maintenance



Attention!

Disconnect the instrument from the measuring circuit before opening to replace storage batteries, batteries or fuses!

14.1 Storage Batteries and Batteries



Warning!

The mains power battery charger may not be connected if normal batteries have been installed instead of storage batteries: Danger of explosion!

Removing the Storage Batteries During Periods of Non-Use

The integrated quartz clock draws power from the storage batteries, even when the instrument is switched off. It is advisable to remove the storage batteries during long periods of non-use for this reason (e.g. vacation). This prevents excessive depletion of the storage batteries, which may result in damage under unfavorable conditions.

Checking Storage Battery Charge-Level and Condition

The current storage battery charge level can be queried in the "Info" menu (see chapter 12 on page 17):

FUNC + ONIOFF ▽△ InFO ▷ X.X V (bAtt).

Make sure that no storage battery leakage has occurred before initial start-up, and after long periods of storage. Continue to inspect the storage batteries for leakage at short, regular intervals.

- If storage battery leakage has occurred, carefully and completely clean electrolyte from the instrument with a damp cloth, and replace the storage batteries before using the instrument.
- If the "–!" symbol appears at the display, the storage batteries should be replaced or recharged as soon as possible. You can continue working with the instrument, but reduced measuring accuracy may result. Depleted storage batteries require approximately 20 hours recharging time with the NA HIT 27 mains power battery charger. Recharging starts as soon as the instrument is connected to the mains power battery charger. If the storage batteries have been excessively depleted, the instrument cannot be switched on. If this is the case, leave the (switched on) instrument connected to the charger for approximately 30 minutes, and then proceed as described above.



Attention!

Storage battery or battery leakage must be avoided. Resulting damage is not covered by the guarantee.

Recharging the Storage Batteries

Use only the NA HIT 27 mains power battery charger (article number Z218J) from GMC-I Messtechnik GmbH to recharge the storage batteries in the instrument. This assures operator safety by means of an extremely well insulated cable, and safe electrical isolation (nominal secondary ratings: 5 V/ 600 mA). The recharging time of the batteries (2,100 mAh) in the instrument is approx. 20 h.

Before connecting the mains power battery charger to the recharging jack, make sure that:

- **Storage batteries have been installed (not normal batteries)**
- The instrument has been disconnected from the measuring circuit at all poles.

If possible, use the mains power battery charger only for recharging storage batteries, not for measurements, in order to avoid influence errors.

Replacing the Storage Batteries

- Set the instrument face down onto a flat working surface, loosen the two screws at the back and lift off the housing base, starting at the bottom. The housing top and housing base are held together with the help of snap hooks at the top front.
- Remove the storage batteries from the battery compartment.
- Insert three 1.2 V NiMH storage batteries into the battery compartment, making sure that the plus and minus poles match up with the provided polarity symbols.
- Important for reassembly: First set the housing base onto the housing top and align accurately (see photo below). Then press the two housing halves together, first at the bottom front (a), and then at the top front (b).



- Secure the housing base with the two screws.



Attention!

The instrument may not be operated if the housing base has not been properly installed and secured!

14.2 Fuses

The fuse is located at the measuring input. When the fuse is defective, the measurements in the $m\Omega/\Omega/\rightarrow/\rightarrow/\rightarrow$ ranges are faulty. The error in the V range amounts to only 10%. If a fuse should blow, eliminate the cause of overload before placing the instrument back into service!

Inspecting the Integrated Fuse

- Set the rotary switch to the Ω measuring function.
- Short circuit the \perp and Ω jacks.
Display $< 0.2 \Omega$: fuse OK
Display approx. 200 k Ω : fuse blown or poor contact at the fuse holder

Replacing the Fuse

- Open the instrument as described under “Replacing the Storage Batteries” .
- Remove the blown fuse with the help of an object such as a test probe, and replace it with a new fuse.

Table of Allowable Fuses

Type	Dimensions	Article Number
FF (UR) 1.6 A/1000 V AC/DC (10 kA)	6.3 mm x 32 mm	Z109C *

* These fuses are available in packages of ten from our sales offices and distributors.



Attention!

Use specified fuses only!

If fuses with other blowing characteristics, other current ratings or other breaking capacities are used, the operator is placed in danger, and protective diodes, resistors and other components may be damaged.

The use of repaired fuses and short-circuiting the fuse holder are prohibited.

14.3 Housing

No special maintenance is required for the housing. Keep outside surfaces clean. Use a slightly dampened cloth for cleaning. Avoid the use of cleansers, abrasives and solvents.

Disposing of Batteries or Storage Batteries

Dispose of old batteries or storage batteries properly, i.e. at a designated collection point.

14.4 Device Return and Environmentally Compatible Disposal

The METRA HIT27 is a category 9 product (monitoring and control instrument) in accordance with ElektroG (*German Electrical and Electronic Device Law*). This device is not subject to the RoHS directive.

We identify our electrical and electronic devices (as of August 2005) in accordance with WEEE 2002/96/EG and ElektroG with the symbol shown to the right per DIN EN 50419 .



These devices may not be disposed with the trash. Please contact our service department regarding the return of old devices (address see chapter 17).

If you use **batteries** or **rechargeable batteries** in your instrument or accessories which no longer function properly, they must be duly disposed of in compliance with the applicable national regulations.

Batteries or rechargeable batteries may contain harmful substances or heavy metal such as lead (Pb), cadmium (Cd) or mercury (Hg).

The symbol shown to the right indicates that batteries or rechargeable batteries may not be disposed of with the trash, but must be delivered to collection points specially provided for this purpose.



15 Multimeter Messages

The following messages appear at the main display, or the auxiliary displays as required. See “Symbols used in the Digital Display” on page 2 for messages displayed at visible segments.

Message	Function	Meaning
$\overline{0} . L$	Measuring	Indicates overflow
$LEAdS \alpha PE_n$	4-wire- $m\Omega$	Measuring current interrupted or fuse defective.

Blinking Unit of Measure

All measuring functions are balanced for each METRA HIT27 at the factory in accordance with the respective technical specification. If a unit of measure blinks, this indicates that balancing constants which have been established and saved to the multimeter are no longer available for the respective function. If this is the case, measurement results may deviate from the specification. We recommend sending the instrument to our Repair and Replacement Parts department for rebalancing (see chapter 17).

16 Accessories

The **BD232 interface adapter** (without memory) allows for remote control of the instrument, as well as transmission of measurement data from up to six multimeters to a PC (in the online operating mode with METRAWin10).

Interface adapter USB-HIT is functionally identical to the BD232 interface adapter, although bidirectional transmission takes place between the IR and the USB interface in this case.

The driver to be installed assigns a virtual COM interface to the instrument. It is not possible to set up a multi-channel system with this adapter.

METRAWin10 Software

METRAWin10 software is used to process and display measurement data at a PC. Sampling can be triggered manually with an adjustable sampling interval, or in a signal dependent fashion. Storage of data in ASCII format can be controlled with two trigger thresholds per measuring channel, as well as by means of system time.

The following conditions must be fulfilled in order to allow for use of METRAWin10:


Hardware, Software and Driver

- IBM compatible Windows PC, 200 MHz Pentium processor or faster with at least 64 MB RAM
- Monitor with at least 1024 x 768 pixels
- Hard disk with at least 40 MB available memory capacity
- CD ROM drive
- Microsoft compatible mouse
- Windows supported printer
- 1 free serial RS232 interface COM1 ... COM8 for utilizing BD232

or

- One USB port for use of the **USB-HIT**
 - with installed driver USB2COM (virtual COM interface) for Windows 2000, XP and VISTA
 - or
 - with Driver Control for Windows XP, VISTA and 7.

General

The extensive accessories available for our measuring instruments are checked for compliance with currently valid safety regulations at regular intervals, and are expanded as required for new applications. Currently up-to-date accessories which are suitable for your measuring instrument are listed at the following web address along with photo, order number, description and, depending upon the scope of the respective accessory, data sheet and operating instructions: www.gossenmetrawatt.com
(→ english → [Products](#) → Measuring Technology – Portable → Multimeters → METRA HIT ... →  Accessories).

17 Repair and Replacement Parts Service, Calibration Center* and Rental Instrument Service

If required please contact:

GMC-I Service GmbH
Service Center
Thomas-Mann-Str. 20
90471 Nuremberg • Germany
Phone +49 911 817718-0
Fax +49 911 817718-253
E-Mail service@gossenmetrawatt.com
www.gmci-service.com

This address is only valid in Germany.

Please contact our representatives or subsidiaries for service in other countries.

* DAKkS Calibration Laboratory for Electrical Quantities D-K-15080-01-01 accredited as per DIN EN ISO/IEC 17025

Accredited quantities: direct voltage, DC value, DC resistance, alternating voltage, AC value, AC active power, AC apparent power, DC power, capacitance, frequency and temperature

Competent Partner

GMC-I Messtechnik GmbH is certified per DIN EN ISO 9001:2008.

Our DAKkS calibration laboratory is accredited by the Deutsche Akkreditierungsstelle GmbH (National accreditation body for the Federal Republic of Germany) in accordance with DIN EN ISO/IEC 17025:2005 under registration number D-K-15080-01-01.

Our competence in the field of metrology covers **test reports, Proprietary Calibration Certificates** as well as **DAKkS Calibration Certificates**.

Our range of services is complemented by our **Test Equipment Management** service which is provided free of charge.

An on-site **DAKkS calibration station** is an integral part of our service department. If any faults are detected during calibration, our specialists are able to carry out the necessary repairs with original replacement parts.

Needless to say, in our function as calibration laboratory, we calibrate all instruments, irrespective of the manufacturer.

DAKkS Calibration Certificate Reprints

If you order a DAKkS calibration certificate reprint for your instrument, please provide us with the reference numbers indicated in the upper and lower most fields of the calibration seal. We do not need the instrument's serial number.

18 Guarantee

The guarantee period for all METRA HIT measuring and calibration instruments is 3 years after date of shipment. Calibration is guaranteed for a period of 12 months. The guarantee covers materials and workmanship. Damages resulting from use for any other than the intended purpose or operating errors, as well as any and all consequential damages, are excluded.

19 Product Support

If required please contact:

GMC-I Messtechnik GmbH

Product Support Hotline

Phone +49 911 8602-0

Fax +49 911 8602 709

E-Mail support@gossenmetrawatt.com

20 Recalibration

The respective measuring task and the stress to which your measuring instrument is subjected affect the ageing of the components and may result in deviations from the guaranteed accuracy.

If high measuring accuracy is required and the instrument is frequently used in field applications, combined with transport stress and great temperature fluctuations, we recommend a relatively short calibration interval of 1 year. If your measuring instrument is mainly used in the laboratory and indoors without being exposed to any major climatic or mechanical stress, a calibration interval of 2-3 years is usually sufficient.

During recalibration* in an accredited calibration laboratory (DIN EN ISO/IEC 17025) the deviations of your instrument in relation to traceable standards are measured and documented. The deviations determined in the process are used for correction of the readings during subsequent application.

We are pleased to perform DAkkS or factory calibrations for you in our calibration laboratory. Please visit our website at www.gossenmetrawatt.com (→ Company → DAkkS Calibration Center or → FAQs → Calibration questions and answers).

By having your measuring instrument calibrated regularly, you fulfill the requirements of a quality management system per DIN EN ISO 9001.

* Verification of specifications or adjustment services are not part of the calibration. For products from our factory, however, any necessary adjustment is frequently performed and the observance of the relevant specification is confirmed.

Edited in Germany • Subject to change without notice • A pdf version is available on the internet.

 **GOSSEN METRAWATT**

GMC-I Messtechnik GmbH
Südwestpark 15
90449 Nürnberg • Germany

Phone +49 911 8602-111
Fax +49 911 8602-777
E-Mail info@gossenmetrawatt.com
www.gossenmetrawatt.com