



American Hakko Products, Inc.

PRODUCT BULLETIN

Bulletin No: PB327

Issue Date: 10-1-2012

Available: 10-1-2012

Product Description:

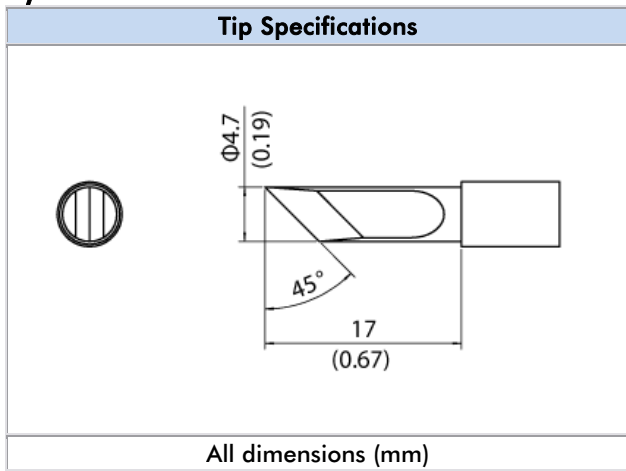
Small K-Style G3 Hot Knife Blade
For use with the Hakko FT-8003 Hot Knife Handpiece

Part No:

G3-1602



Specification:



Comment:

The Hakko G3-1602 is a smaller variation of the Hakko G3-1601 Hot Knife Blade that allows for working with smaller diameter sheaths and when trimming excess material close to the connector end where space is very limited.

NOTE: Due to the thin nature of this blade, operation at high power settings with application of force perpendicular to the axis of the blade may cause the blade to bend.

For additional information:

- End-User Customers – Call Customer Support at 1-800-88-HAKKO (42556)
- Authorized Distributors – Call Distributor Support at 661-294-0090