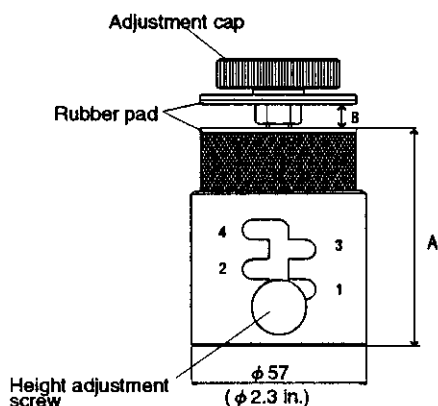


Omnivise C1390B **ESD SAFE**

Thank you for purchasing the Omnivise. Use the Omnivise to hold anything in the horizontal plane. It was designed to hold printed circuit boards level while reworking them, but adapts easily to a myriad tasks.

- The height (A) to the bottom of the opening is adjustable from 72.5mm, 78.0mm, 84.5mm, 91.0mm, 97.5mm (2.8, 3.1, 3.3, 3.6, 3.8 inch) increments.
- The opening (B) is adjustable from 0 to 20mm (0 to 0.8 inch).
- The jaws are padded to preclude damage to delicate objects.
- The full 360° is available with no interference.
- The Omnivise is ESD safe.



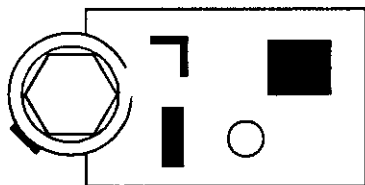
Specification

No.	C1390B Set of 2
Name	Omnivise
Outer dimensions	φ 57 × 88mm φ 2.3 × 3.5in.
Weight	1.2kg/1 2.7/1lb.



Some suggestions:

For printed circuit boards or other small assemblies, use one Omnivise.



For larger assemblies, use two or more Omnivises.

