

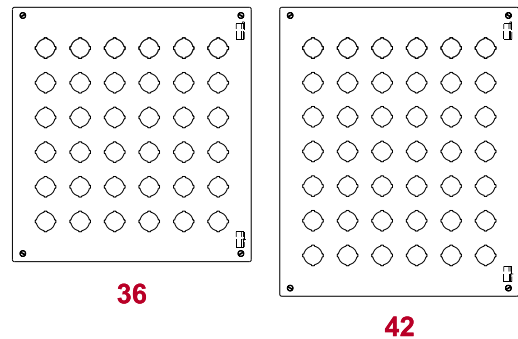
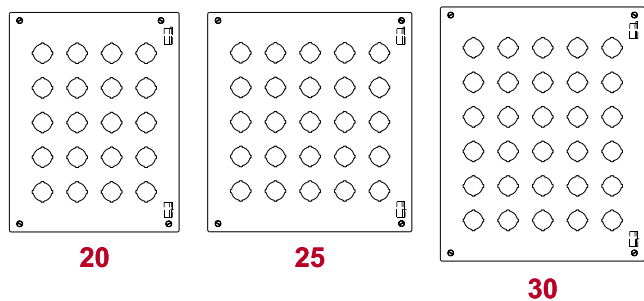
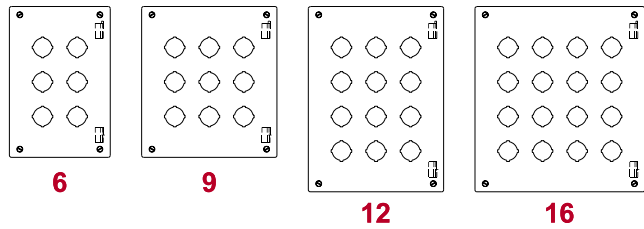
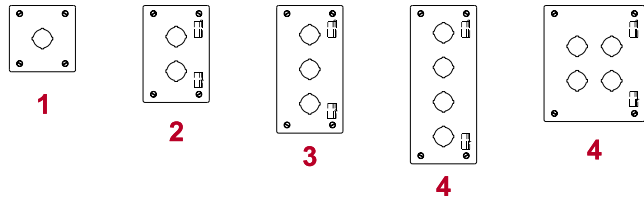
Pushbutton Enclosures - NEMA 12, 13

1437/ 1437M Extra Deep Series

Operator Interface Enclosure



**205 Westwood Ave
Long Branch, NJ 07740
1-877-742-TEST (8378)
Fax: (732) 222-7088
salesteam@Tequipment.NET**



Application

- Designed to accept standard heavy duty oil tight pushbuttons, switches and pilot lights.
- Provides protection from dirt, dust, oil and water.

Standards

- UL 508 Type 12 and 13
- CSA Enclosure 12 and 13
- **Complies with**
 - NEMA Type 12 and 13
 - IEC 60529, IP54
 - JIC STD EGP-1-1967
- Appropriate components are required to maintain these standards.

Construction

- Formed from 14 gauge steel except A which is 16 gauge.
- Smooth continuously welded seams.
- Welded brackets provide for enclosure mounting.
- Captive cover screws fasten into threaded, sealed wells.
- Larger enclosures provide internally hinged removable covers, designed to hold the cover open during wiring (see table).
- Oil resistant gasket and adhesive.
- A grounding stud is provided in the enclosure.

Finish

- Cover and enclosure are phosphatized and finished in ANSI 61 gray powder coating.

Accessories

- Hole plugs...see page **432**
- Pedestals...see page **449**

Pushbutton Enclosures

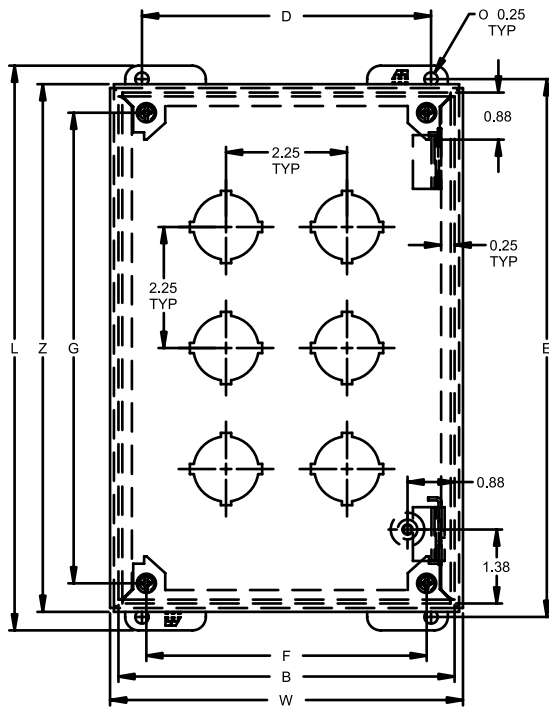
All dimensions in inches unless specified otherwise

Pushbutton Enclosures - NEMA 12, 13

1437/ 1437M Extra Deep Series

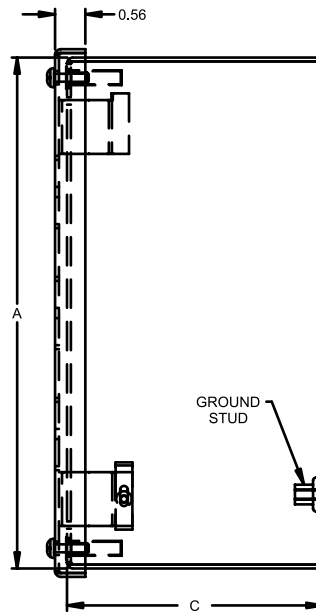
Operator Interface Enclosure

Pushbutton Enclosures

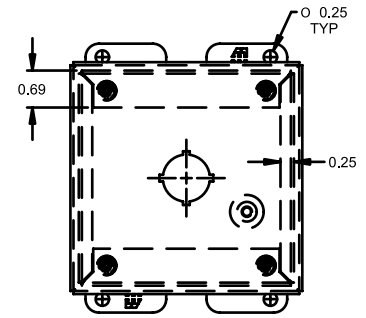


Front View

Body Type B through -42
(Hinged)

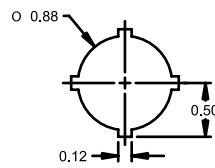


Side View

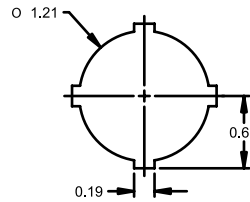


Front View

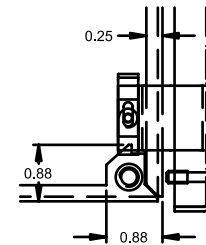
Body Type A
(Not Hinged)



22.5mm Detail
(1437M Series)



30.5mm Detail
(1437 Series)



Hinge Detail

Retractable pin allows door to be mounted on left or right side

Tequipment.NET
USA
205 Westwood Ave
Long Branch, NJ 07740
1-877-742-TEST (8378)
Fax: (732) 222-7088
salesteam@Tequipment.NET

| Part No. | | No. Of Holes | Overall Dimensions | | | | | | | | | | Ship Wt. lbs. |
|--------------------|---------------------|--------------|--------------------|-------|------|-------|-------|-------|-------|-------|-------|-------|---------------|
| 30.5mm | 22.5mm | | A | B | C | D | E | F | G | L | W | Z | |
| 1437A ¹ | 1437MA ¹ | 1 | 4.00 | 4.00 | 4.75 | 3.13 | 4.50 | 2.96 | 3.25 | 5.00 | 4.31 | 4.31 | 3 |
| 1437B | 1437MB | 2 | 6.00 | 4.00 | 4.75 | 3.13 | 6.50 | 2.96 | 5.25 | 7.00 | 4.31 | 6.31 | 4 |
| 1437C | 1437MC | 3 | 8.00 | 4.00 | 4.75 | 3.13 | 8.50 | 2.96 | 7.25 | 9.00 | 4.31 | 8.31 | 5 |
| 1437D | 1437MD | 4 | 10.00 | 4.00 | 4.75 | 3.13 | 10.5 | 2.96 | 9.25 | 11.00 | 4.31 | 10.31 | 5 |
| 1437F | 1437MF | 4 | 7.25 | 6.25 | 4.75 | 5.38 | 7.75 | 5.21 | 6.50 | 8.25 | 6.56 | 7.56 | 5 |
| 1437H | 1437MH | 6 | 9.50 | 6.25 | 4.75 | 5.38 | 10.00 | 5.21 | 8.75 | 10.50 | 6.56 | 9.81 | 5 |
| 1437K | 1437MK | 9 | 9.50 | 8.50 | 4.75 | 7.63 | 10.00 | 7.46 | 8.75 | 10.50 | 8.81 | 9.81 | 7 |
| 1437O | 1437MO | 12 | 11.75 | 8.50 | 4.75 | 7.63 | 12.25 | 7.46 | 11.00 | 12.75 | 8.81 | 12.06 | 8 |
| 1437S | 1437MS | 16 | 11.75 | 10.75 | 4.75 | 9.88 | 12.25 | 9.71 | 11.00 | 12.75 | 11.06 | 12.06 | 9 |
| 1437V | 1437MV | 20 | 14.00 | 10.75 | 4.75 | 9.88 | 14.50 | 9.71 | 13.25 | 15.00 | 11.06 | 14.31 | 11 |
| 1437X | 1437MX | 25 | 14.00 | 13.00 | 4.75 | 12.13 | 14.50 | 11.96 | 13.25 | 15.00 | 13.31 | 14.31 | 12 |
| 1437-30 | 1437M-30 | 30 | 16.25 | 13.00 | 4.75 | 12.13 | 16.75 | 11.96 | 15.50 | 17.25 | 13.31 | 16.56 | 14 |
| 1437-36 | 1437M-36 | 36 | 16.25 | 15.25 | 4.75 | 14.38 | 16.75 | 14.21 | 15.50 | 17.25 | 15.56 | 16.56 | 16 |
| 1437-42 | 1437M-42 | 42 | 18.50 | 15.25 | 4.75 | 14.38 | 19.00 | 14.21 | 17.75 | 19.50 | 15.56 | 18.81 | 18 |

¹ Not Hinged