

## Introduction

Thank you for purchasing this HIOKI "9263 SMD TEST FIXTURE." To get the maximum performance from the unit, please read this manual first, and keep this at hand.

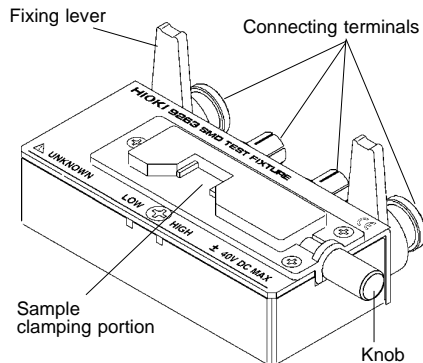
## Safety

This Instruction Manual provides information and notes essential for operating this equipment in a safe manner and for maintaining it in safe operating condition. Before using this equipment, be sure to carefully read the following safety notes.

<b>CAUTION</b>	Indicates that incorrect operation presents possibility of injury to the user or damage to the equipment.
<b>NOTE</b>	Denotes items of advice related to performance of the equipment or to its correct operation.

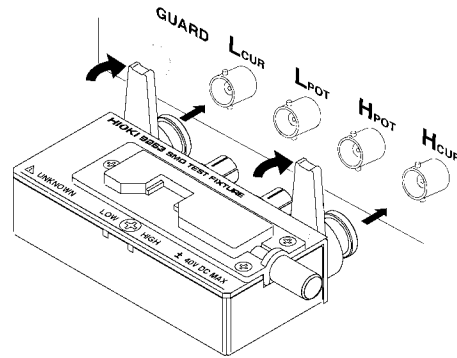
## 1. Overview

This HIOKI 9263 SMD TEST FIXTURE can be directly connected to the measurement terminals (UNKNOWN) of the HIOKI LCR and Z HiTESTERS for testing a SMD component. The component can be clamped with a single knob action.



## 2. Connecting the Test Fixture

Plug the fixture into the measurement terminals (UNKNOWN) of the tester, with the product name up. Fasten it in place with the left and right fixing levers.

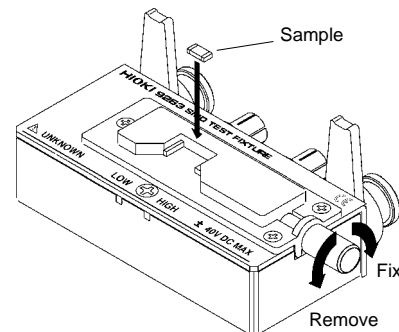


## 3. Fixing the Samples

Put the sample (figure below) on the clamping portion, and clamp it by turning the knob.

### NOTE

- Samples whose width are 1 to 10 mm can be clamped.
- Be careful to keep dirt away from the clamping portion.
- Make sure the sample is firmly clamped. If not, accurate measurements cannot be obtained.



## 4. Open and Short Circuit Compensation

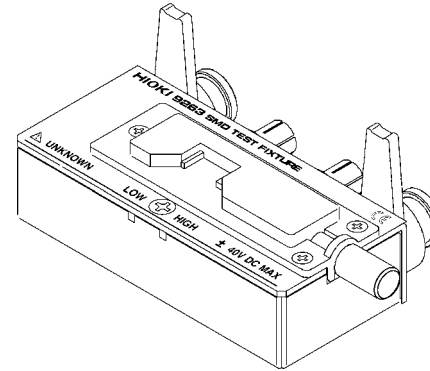
To enhance the accuracy of measurement, perform the open and short circuit compensation.

### NOTE

The method of operation depends on the tester to which the test fixture is connected. Refer to the Instruction Manual for the tester.

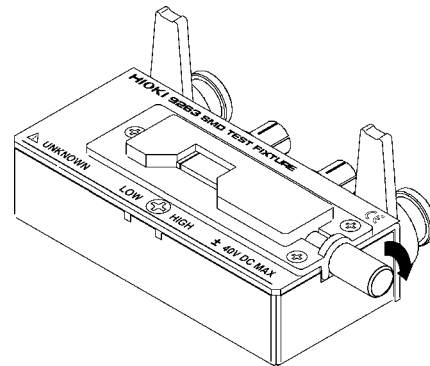
#### • Open circuit compensation

Turn the knob to open the high and low clamping portions (with no connection between the two ends of the clamping) in width of the sample to be measured.



#### • Short circuit compensation

Turn the knob to short the high and low clamping portions.



## 5. Specifications

Compatible instrument	3502, 3522, 3531
Measurement frequency range	DC to 5 MHz
Maximum apply voltage	±40 V DC
Width of sample to be tested	1 to 10 mm
Residual resistance (short-circuited)	5 m max. (at 100 Hz)
Floating capacitance between terminals	1 pF max. (at 5 MHz)
Dimensions	86(W) × 22(H) × 40(D) mm (excluding protrusions)
Mass	100 g
Operating temperature and humidity range	0 to 40 °C, 80% R.H. or less with no condensation
Storage temperature and humidity range	-10 to 55 °C, 80% R.H. or less with no condensation
Location for use	Elevation of up to 2000 m indoor

## 6. Notes on Using the Test Fixture

- Be careful to avoid dropping the unit or subjecting to other mechanical shock.
- Do not use the unit in direct sunlight, dusty conditions, or in the presence of corrosive gases.
- Gently wipe dirt from the surface of the unit with a soft cloth moistened with a small amount of water. Do not try to clean the unit using cleaners containing organic solvents such as benzene or thinners. They may cause discoloration or damage.
- If the unit has gotten seriously wet, oily, or dusty, stop using it and send it for service at an approved HIOKI service facility.
- For using the tester to which the test fixture is connected, refer to Instruction Manual of the tester.

### CAUTION

For applying a DC voltage, refer to the Instruction Manual of the tester.

# HIOKI

HIOKI E. E. CORPORATION

HEAD OFFICE

81 Koizumi, Ueda, Nagano 386-11, Japan  
 FAX. 0268-28-0568 / TEL. 0268-28-0562  
 E-mail: os-com@hioki.co.jp

**T**  **Equipment**  
**.NET**  
 1-877-742-TEST (8378)