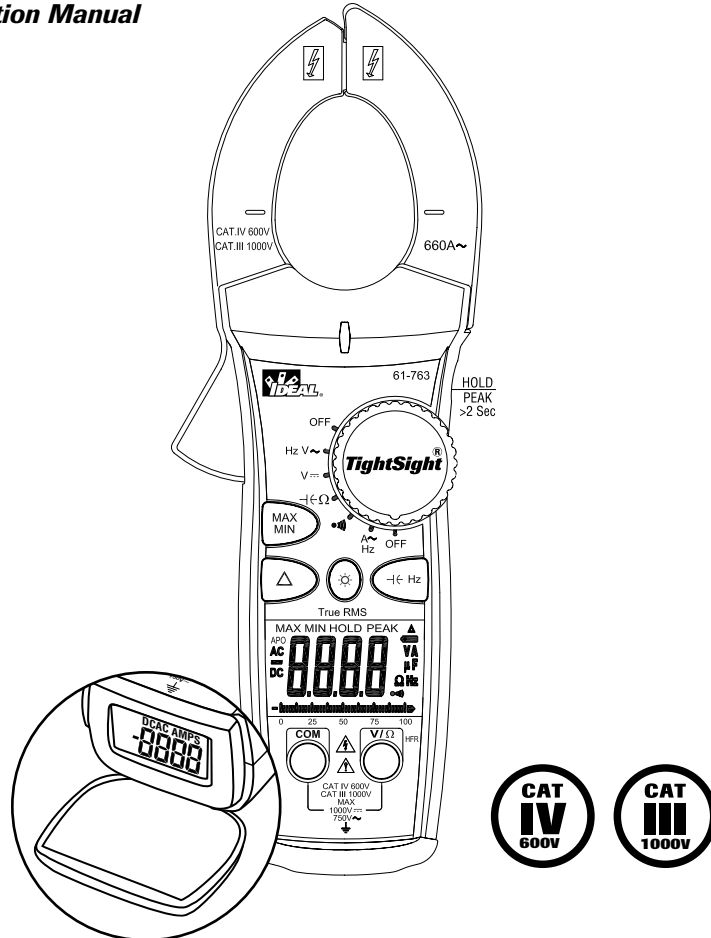




#61-763
#61-765

660A TRMS Clamp Meters w/TightSight™ Display

Instruction Manual




TightSight™ Display

⚠ Read First: Safety Information

Understand and follow operating instructions carefully. Use the meter only as specified in this manual; otherwise, the protection provided by the meter may be impaired.

⚠ WARNING

To avoid possible electric shock, personal injury or death, follow these guidelines:

- Do not use if meter appears damaged. Visually inspect the meter to ensure case is not cracked and back case is securely in place.
- Inspect and replace leads if insulation is damaged, metal is exposed, or probes are cracked. Pay particular attention to the insulation surrounding the connectors.
- Do not use meter if it operates abnormally as protection maybe impaired.
- Do not use during electrical storms or in wet weather.
- Do not use around explosive gas, dust, or vapor.
- Do not apply more than the rated voltage to the meter.
- Do not use without the battery and the back case properly installed.
- Replace battery as soon as battery indicator  appears to avoid false readings.
- Remove the test leads from the circuit prior to removing battery cover.
- Do not attempt to repair this unit as it has no user-serviceable parts.

CAUTION

To protect yourself, think "Safety First":

- Voltages exceeding 30VAC or 60VDC pose a shock hazard so use caution.
- Use appropriate personal protective equipment such as safety glasses, face shields, insulating gloves, insulating boots, and/or insulating mats.
- Before each use:
 - Perform a continuity test by touching the test leads together to verify the functionality of the battery and test leads.
 - Use the 3 Point Safety Method. (1) Verify meter operation by measuring a known voltage. (2) Apply meter to circuit under test. (3) Return to the known live voltage again to ensure proper operation.
- Use the proper terminals, functions and range for your measurements.
- Never ground yourself when taking electrical measurements.
- Connect the black common lead to ground or neutral before applying the red test lead to potential voltage. Disconnect the red test lead from the voltage first.
- Always work with a partner.
- When using the probes, keep fingers as far behind the probe tips as possible.

760 Series Common Features:

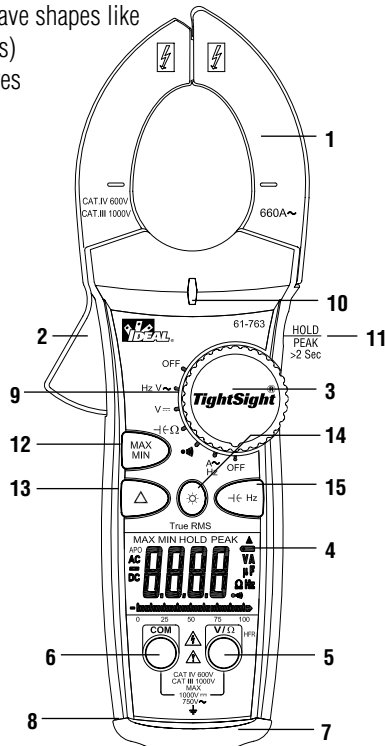
- Large numbers and symbols displayed
- TightSight™ bottom display
- Visual and *selectable* audible indication when voltage is present
- Measures 660 AAC Current (61-763)
- Measures 660A AC/DC Current (61-765)
- Measures AC/DC Voltage, Resistance & Capacitance
- Audible continuity
- Bright, bold backlight
- Peak, max/min, data hold
- Selectable Auto power off and low battery indicator
- Tapered jaws for reaching into tight spaces
- Hook tip for easier wire separation
- Protective rubber boot
- Electronic overload protection on all ranges
- Cat IV-600V/Cat III-1000V

Model Specific Features:

- 61-763 and 61-765 models are true rms sensing, measures AC/DC voltage, capacitance, AC current and frequency
- Both models employ a High Frequency Reject (HFR) circuit to filter noise or help in making accurate measurements on complex wave shapes like those found on Adjustable Speed Drives (ASDs)
- 61-765 model is true rms sensing and measures DC current

Features

1. Tapered jaws w/hook tip
2. Lever
3. Function Dial
4. Main Display (LCD)
5. Volts and resistance (V-Ω) input terminal
6. Common (COM) input terminal
7. TightSight™ bottom display
8. Protective rubber boot
9. Measuring Functions
10. High Voltage (Hi-V) warning
11. Data & Peak Hold
12. Max/min
13. Relative (61-763)
Relative/Zero (61-765)
14. Backlight
15. Capacitance (⊖) / Frequency (Hz)

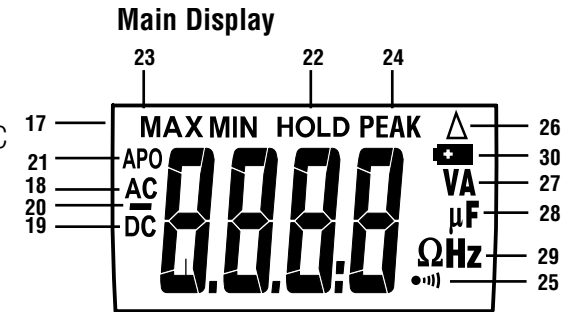


Symbols on the Unit

- ⚠ Warning - read the instruction manual
- Cat IV - 600V Safety category
- Cat III - 1000V Safety category

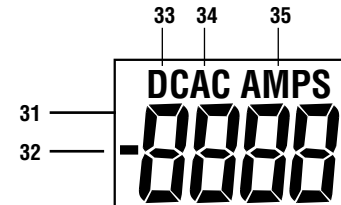
Main Display Icons

17. 9999 count display
18. AC measurement
19. DC measurement
20. Polarity indicator for DC (APO)
21. Auto Power Off (APO)
22. Hold
23. Min/Max
24. Peak
25. Audible continuity
26. Relative
27. Volts/Amps
28. Farads
29. Hertz/Ohms
30. Low battery indicator



TightSight™ Display Icons

31. 9999 count display
32. Polarity indicator for DC
33. DC measurement
34. AC measurement
35. Amps



OPERATION:

High Voltage Warning (HI-V)

The meter beeps and lights an LED when measuring > 30V AC on the VAC function and >30V DC when on the VDC function.

Notes: This feature does not work in the Ohm, capacitor, continuity or clamp modes. Audible indication can be disabled by pressing and holding the Max/min button while turning the function switch from OFF to any desired Function. Wait for **Hb** to be displayed and then release the button. To enable, turn the unit off and back on.

Data Hold Feature

Press the Hold button on the side of the meter to toggle in and out of the data hold mode. "HOLD" appears in the upper left of the meter display when data hold is active. Use the data hold feature to lock a measurement reading on the display. Press the Hold button again to unlock the display and obtain a real-time reading.

Peak Feature

In PEAK mode, the meter displayed the PEAK value of AC Volts or Current measurement. PEAK function is enabled by Depressing the PEAK HOLD button for > 2 seconds. To Exit PEAK Mode Depress the PEAK HOLD button again for > 2 seconds.

Max/Min Feature

The Max/Min records the maximum and minimum measured value. Press the Max/Min button to activate this feature and to toggle between max, and Min readings. The unit will continually capture max and min values over time. Depressing the max/min button for >2 sec. exits the mode. Note: To record max/min values over a time period >30 min, the Auto Power Off (APO) feature must be defeated.

Relative Mode

Press "Δ" button to enter the Relative mode. The "Δ" symbol is displayed, and the value on the display is subtracted and stored as a reference value. In the Relative mode, the value shown on the display is always the difference between the stored reference value and the present reading. Press the "Δ" button again for > 2 seconds to exit the Relative mode.


Zero Feature (61-765 model only)

The "ZERO" button is used to zero out the display before measuring DC current. Press the "ZERO" button to subtract out the non-zero number. Then, measure the DC amps. Pressing the "ZERO" button again causes the "ZERO" to flash and the original offset number to be displayed. Depress the "ZERO" button for >2 sec. to exit this mode.

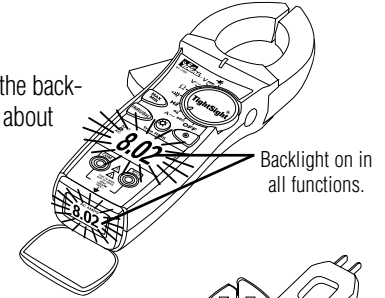
Auto Power Off (APO) Feature Disable

The meter automatically powers itself down after about 30 minutes of no use. Press any button, and the meter will wake up and display the last reading taken before power down. To Disable APO, press and hold the (Hz) button while turning the dial to any desired function. When APO is defeated, the "APO" will be removed from the display. Turning the meter off and back on will restore the APO default.

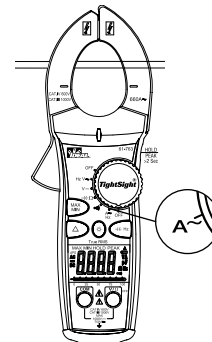
Backlight

Press the  button in the middle of the meter to turn the backlight on and off. The green backlight will remain lit for about 3 minutes before it automatically turns off to conserve battery power.

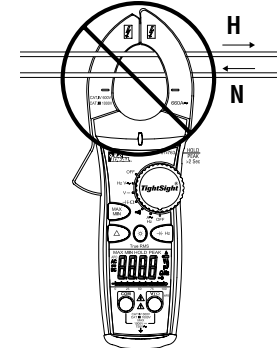
Note: Backlight consumes 4x the battery power.



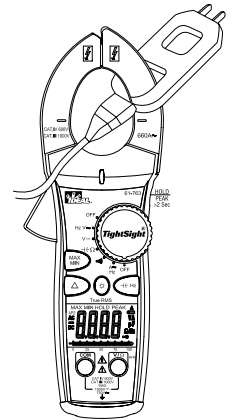
Measuring AC Current (Amps):



CORRECT
Single
Conductor
only



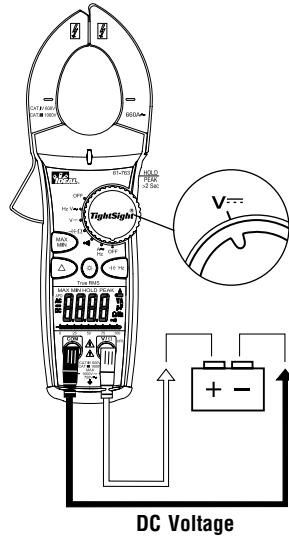
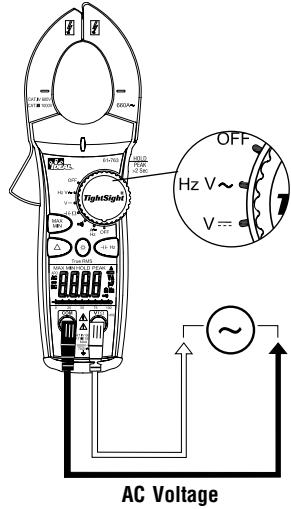
INCORRECT
Currents
cancel



CORRECT
Use with
line splitter

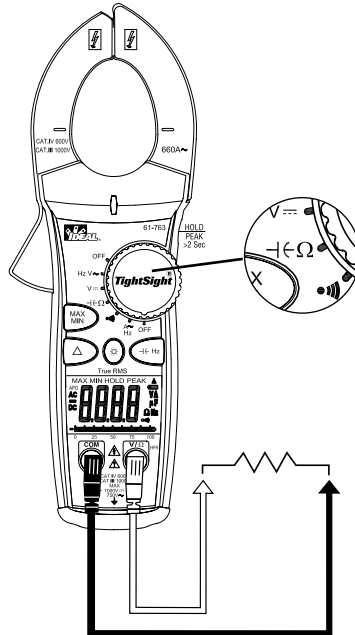
Note: 61-765 model also measures DC Current.

Measuring Voltage:



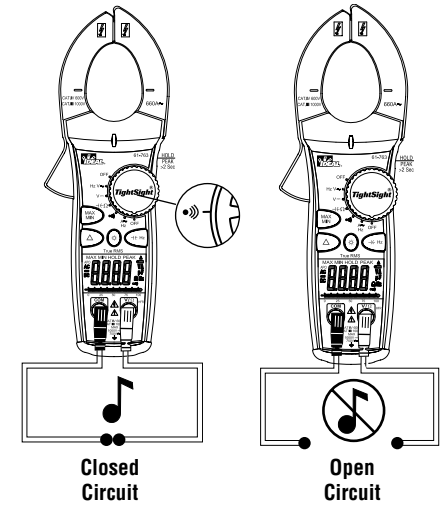
Measuring Resistance (Ohms):

- Verify the circuit is de-energized to obtain accurate measurements.

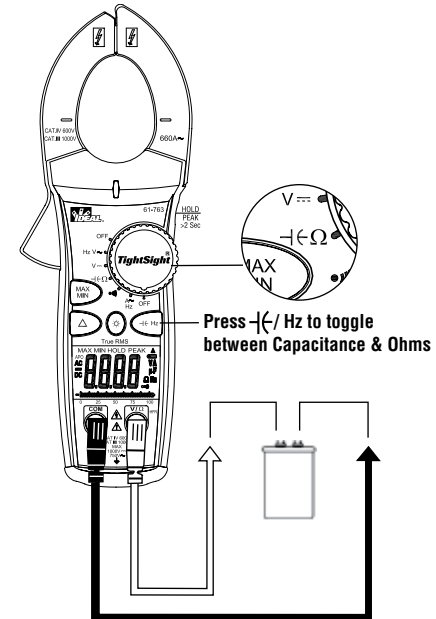


Verifying Continuity (•••••) :

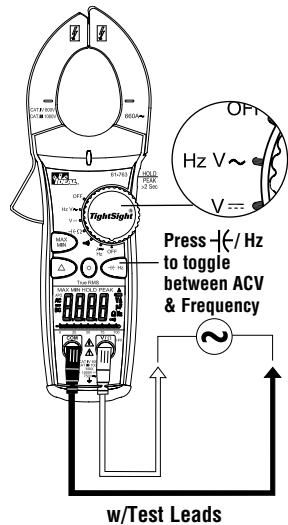
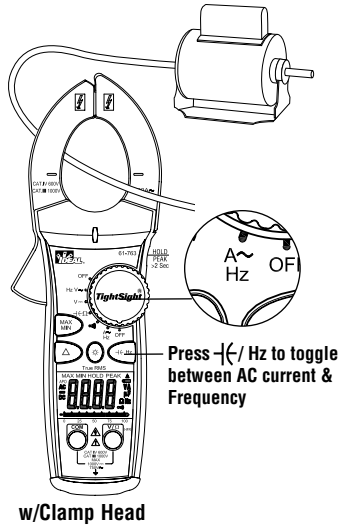
- Verify the circuit is de-energized.
- The meter will sense the level of resistance and beep if the resistance is less than $30\ \Omega$ to confirm that continuity is present.



Measuring Capacitance

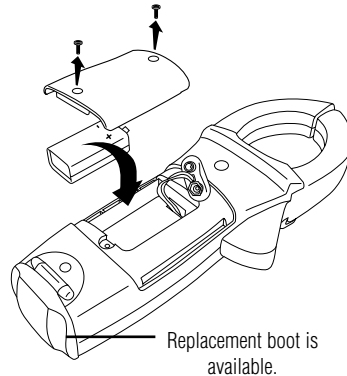


Measuring Frequency 61-763, 61-765



Battery Replacement:

- Ensure test leads are disconnected from circuit or components.
- Remove test leads from input jacks on meter.
- Remove the two screws from the battery cap.
- Remove the battery cap.
- Replace battery with a new 9V battery.
- Assemble the battery cap to the meter and re-tighten the screws.



Maintenance:

Clean the case with a damp cloth and mild detergent. Do not use abrasives or solvents.

Service and Replacement Parts:

This unit has no user-serviceable parts.

For replacement parts or to inquire about service information contact IDEAL INDUSTRIES, INC. at 1-877-201-9005 or visit our website www.testersandmeters.com.

Specifications:

Displays:	4 digit LCD with 9999 counts for both displays with 41 segment analog bar graph on front display
Backlight:	Green illumination with auto-off after 3 minutes
Polarity:	Automatic, positive implied, negative (-) polarity indication.
Overrange:	"OL" indication is displayed.
Zero:	Automatic
Display (Measure) Rate:	Display updates 2 times per second, nominal.
Auto Power Off:	After 30 minutes of non-use.
Battery Life:	100 hours continuous with Alkaline (61-763, 61-765)
Low Battery Indication:	The "bAtt" appears in the display with insufficient voltage for about one hour. Then "bAtt" displays for 5 seconds and unit powers down. Indicator duration varies by battery brand.
Power Supply:	(1) 9V battery (NEDA 1604, JIS 006P, IEC 6F22) With an isolated battery compartment.
Accuracy:	Stated accuracy at 23°C ±5°C, <75% R.H.
Temperature	0.1 x (specified accuracy) per °C,
Coefficient:	(0°C to 18°C, 28°C to 50°C).
Altitude:	6561.7 ft. (2000m)
Operating Environment:	32°F to 122°F (0°C to 50°C) at <70% R.H.
Display Environment:	-4°F to 158°F (-20°C to +70°C)
Storage Environment:	-4°F to 140°F (-20°C to 60°C) at <80% R.H. without battery
Jaw Opening:	Accepts a 1.42" (36mm) conductor
Dimensions:	8.7"H x 3.1"W x 1.8"D (222mmH x 80mmW x 45.5mmD)
Weight:	12.3 oz. (350g) including battery
Accessories included:	Carrying Case, Test Leads with alligator clip, (1) 9V battery, operating instructions.
Safety:	Safety: Complies with (UL61010-1) (Second Edition), IEC 61010-2-032, IEC 61010-031. EN61010-1, EN61010-2-032, EN61010-031 specifications, CAN/CSA C22.2 no. 1010.1-92 and CAN/CSA C22.2 No. 1010.2.032-96 Cat IV-600V/Cat III-1000V.



 Double Insulation
Instrument has been evaluated and complies with insulation category IV (overvoltage category IV). Pollution degree 2 in accordance with IEC-644. Indoor use.

Ranges & Accuracies:

AC Converter: 61-763, 61-765 models are true rms sensing.

Accuracy: Accuracy is specified as +/- (a percentage of the reading + a fixed count) at 23°C ± 5°C (73.4°F ± 9°F), less than 75% relative humidity.

Temperature Coefficient: 0.1 times the applicable accuracy specification per degree C from 0°C to 18°C and 28°C to 50°C (32°F to 64°F and 82°F to 122°F)

Function	Range and Resolution	Accuracy		Input Protection
		61-763	61-765	
AC Current ¹	0.0 to 660.0A	2.0% + 5 (45Hz to 60Hz)	2.0% + 5 (20Hz to 100Hz)	660A AC
		6.0% + 5 (60Hz to 400Hz)	6.0% + 5 (100Hz to 400Hz)	
DC Current	0.0 to 660.0A	N/A	2.0% + 5	660A DC (61-765 only)
AC Voltage ^{1,2}	0.0 to 600.0V	1.0% + 5 (45Hz to 100Hz)	1.0% + 5 (20Hz to 100Hz)	1000VDC / 750VAC RMS
	600.0 to 750.0V	1.5% + 5 (45Hz to 100Hz)	1.5% + 5 (45Hz to 100Hz)	
	0.0 to 750.0V	6.0% + 5 (100Hz to 400Hz)	6.0% + 5 (100Hz to 400Hz)	
DC Voltage ²	0.0-600.0V	1.0% + 5	1.0% + 5	1000VDC / 750VAC RMS
	600.0 to 999.9V	1.5% + 5	1.5% + 5	
Resistance ³	0.0 to 999.9Ω	1.5% + 5	1.5% + 5	600V DC/AC RMS
	1000 to 9999Ω			
Capacitance	0.0 to 999.9μF	5.0% + 15	5.0% + 15	600V DC/AC RMS
Continuity	0.0 to 999.9Ω	Audible at < 30 Response time 500mS	Audible at < 30 Response time 500mS	600V DC/AC RMS
Frequency ⁴	20.0 to 400.0 Hz	0.5% + 5	0.5% + 5	1000VDC / 750VAC RMS

*Accuracy stated for crest factor ≤ 1.5 at full scale and ≤ 3 at half scale.

PEAK:

¹For VAC/A AC/DC (45-65 Hz) has accuracy of ±(5% rdg + 15 digits); minimum input for VAC > 10V and for A AC/DC > 10A; response time > 1ms.

²Input impedance: 1MΩ.

³Open circuit voltage ≈ 1.2V DC

⁴Frequency Sensitivity: 5V rms on AC VOLTS range (≥ 5AAC at 20 to 100Hz) (≥ 10AAC at 100 to 400Hz), Frequency can be measured through clamp head.

Overload protection: 1000 AAC, 1000 VDC or 750 VAC RMS

Dispose of waste electrical and electronic equipment



In order to preserve, protect and improve the quality of environment, protect human health and utilize natural resources prudently and rationally, the user should return unserviceable product to relevant facilities in accordance with statutory regulations. The crossed-out wheeled bin indicates the product needs to be disposed separately and not as municipal waste.



Disposal of used batteries/accumulators!

The user is legally obliged to return used batteries and accumulators. Disposing used batteries in the household waste is prohibited! Batteries/accumulators containing hazardous substances are marked with the crossed-out wheeled bin. The symbol indicates that the product is forbidden to be disposed via the domestic refuse. The chemical symbols for the respective hazardous substances are **Cd** = Cadmium, **Hg** = Mercury, **Pb** = Lead.



You can return used batteries/accumulators free of charge to any collecting point of your local authority, our stores, or where batteries/accumulators are sold. Consequently you comply with your legal obligations and contribute to environmental protection.

Warranty Statement:

This tester is warranted to the original purchaser against defects in material and workmanship for two years from the date of purchase. During this warranty period, IDEAL INDUSTRIES, INC. will, at its option, replace or repair the defective unit, subject to verification of the defect or malfunction. This warranty does not apply to defects resulting from abuse, neglect, accident, unauthorized repair, alteration, or unreasonable use of the instrument.

Any implied warranties arising out of the sale of an IDEAL product, including but not limited to implied warranties of merchantability and fitness for a particular purpose, are limited to the above. The manufacturer shall not be liable for loss of use of the instrument or other incidental or consequential damages, expenses, or economic loss, or for any claim or claims for such damage, expenses or economic loss.

State laws vary, so the above limitations or exclusions may not apply to you. This warranty gives you specific legal rights, and you may also have other rights which vary from state to state.

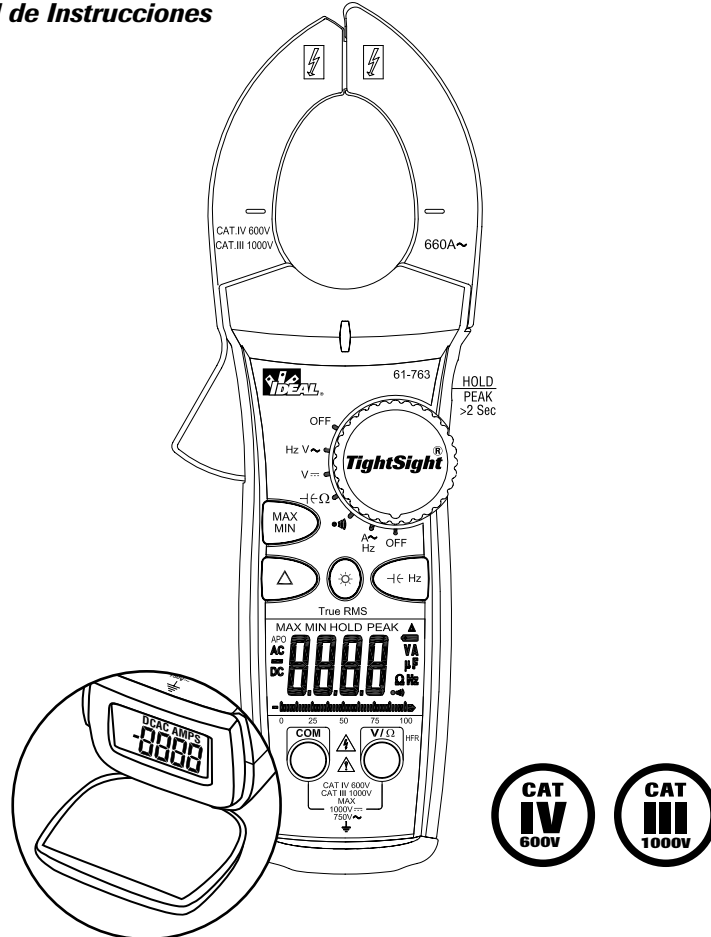
Warranty does not cover batteries.



#61-763
#61-765

Pinza amperométrica de 600 A con pantalla TightSight™

Manual de Instrucciones




Pantalla TightSight™

! Lea primero: Información de seguridad

Comprenda y siga estas instrucciones de operación cuidadosamente. Utilice el instrumento sólo según se especifica en este manual; de lo contrario, la protección que él proporciona podría deteriorarse.

! ADVERTENCIA

Para evitar una posible descarga eléctrica, lesiones personales o la muerte, siga estas instrucciones:

- No use el instrumento si el mismo parece estar dañado. Inspeccione visualmente el instrumento para asegurarse de que la caja no esté agrietada y la caja posterior esté colocada firmemente.
- Inspeccione y reemplace los cables si el aislamiento está dañado, hay piezas metálicas expuestas o las sondas están fisuradas. Preste atención en particular al aislamiento que rodea los conectores.
- No use el instrumento si funciona en forma anormal, porque puede verse reducida la protección.
- No use el instrumento durante tormentas eléctricas o con tiempo húmedo.
- No use el instrumento cerca de gases explosivos, polvo o vapor.
- No aplique al instrumento voltajes superiores al nominal.
- No use el instrumento sin la batería ni si la parte posterior de la cubierta no está instalada correctamente.
-  Reemplace las baterías tan pronto aparezca el indicador de las mismas, a fin de evitar lecturas falsas.
- Retire los cables de prueba del circuito antes de desmontar la tapa de las baterías.
- No intente reparar esta unidad puesto que no tiene piezas reparables por el usuario.

PRECAUCIÓN

Para protegerse, piense que “¡La seguridad primero!”:

- Los voltajes superiores a 30 VCA o 60 VCC representan un riesgo de electrocución, por lo que debe trabajar con precaución.
- Use equipos de protección personal apropiados, tales como gafas de seguridad, máscaras faciales, guantes, calzado y/o alfombras aislantes.
- Antes de cada uso.
 - Realice una prueba de continuidad poniendo en contacto los cables de prueba para verificar el funcionamiento de la batería y los cables.
 - Use el método de seguridad de 3 puntos. (1) Verifique el funcionamiento del instrumento midiendo un voltaje conocido. (2) Aplique el instrumento al circuito bajo prueba. (3) Vuelva a probar nuevamente con el voltaje real conocido para asegurar un funcionamiento correcto.
- Use los terminales, funciones y el alcance apropiados para sus medidas.
- No se conecte a tierra cuando tome medidas eléctricas.
- Conecte el cable negro común a tierra o al neutro antes de aplicar el cable rojo al voltaje del potencial. Desconecte primero el cable de prueba rojo del voltaje.
- Trabaje siempre con un compañero.
- Cuando use las sondas, mantenga los dedos tan lejos de las puntas de las mismas como sea posible.

Características comunes de la Serie 760:

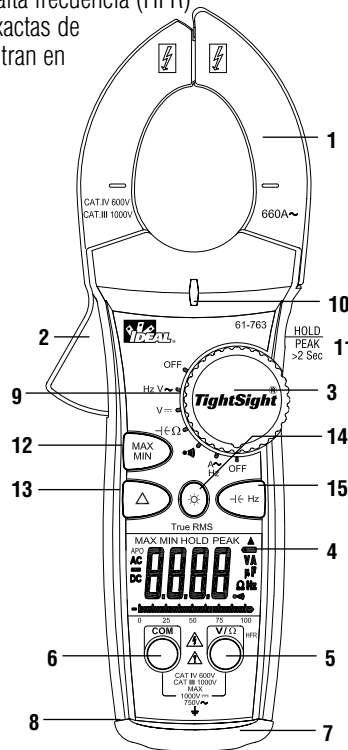
- Indicación con números y símbolos grandes
- Pico, máx/mín y retención de datos
- Pantalla inferior TightSight™
- Apagado automático seleccionable e indicador de batería descargada
- Indicación visual y audible seleccionable cuando hay presencia de voltaje
- Mordazas ahusadas, para penetrar en espacios estrechos
- Medida de corriente hasta 660 A CA (61-763)
- Punta en forma de gancho, para facilitar la separación de cables
- Mide corriente alterna y continua (61-765)
- Funda protectora de goma
- Medida de voltaje de CA/CC, resistencia y capacitancia
- Protección electrónica contra sobrecarga en todos los alcances
- Verificación de continuidad con indicación audible
- Cat IV-600 V / Cat III-1000 V
- Iluminación de fondo brillante y nítida

Características específicas del modelo:

- Los modelos 61-763 y 61-765 son con sensado de valor eficaz (rms) verdadero, medida de voltajes de CA/CC, capacitancia, corriente alterna y frecuencia
- Ambos modelos emplean un circuito de rechazo de alta frecuencia (HFR) para filtrar el ruido o contribuir a realizar medidas exactas de ondas de formas complejas como las que se encuentran en los variadores de velocidad ajustables (ASD)
- El modelo 61-765 incluye sensado de valor eficaz verdadero y medida de corriente continua (CC).

Características

1. Mordazas ahusadas con punta en forma de gancho
2. Palanca
3. Selector de funciones
4. Pantalla principal de cristal líquido (LCD)
5. Terminal de entrada para voltaje y resistencia (V-Ω)
6. Terminal de entrada común (COM)
7. Pantalla inferior TightSight™
8. Funda protectora de goma
9. Funciones de medida
10. Advertencia de alto voltaje (Hi-V)
11. Retención de datos y pico
12. Máximo/Mínimo
13. Modo relativo (61-763)
14. Modo relativo/cero (61-765)
15. Iluminación de fondo
15. Capacitancia (⊖) / Frecuencia (Hz)

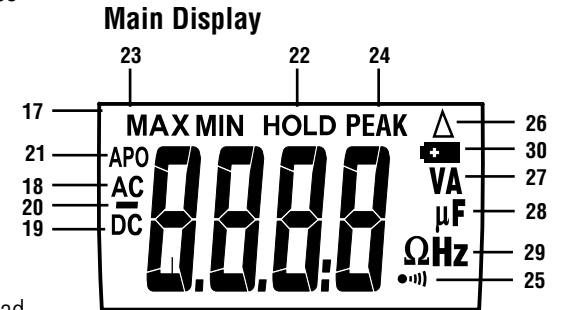


Símbolos de la unidad

- ⚠ Advertencia: lea el manual de instrucciones
- Cat IV: Categoría de seguridad 600 V
- Cat III: Categoría de seguridad 1000 V

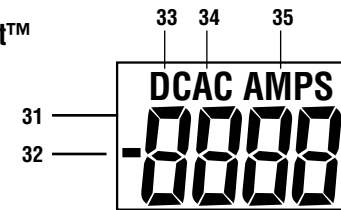
Íconos de la pantalla principal

17. Pantalla de 9999 unidades
18. Medida de CA
19. Medida de CC
20. Indicador de polaridad para CC
21. Apagado automático (APO)
22. Retención
23. Mín/Máx
24. Pico
25. Verificación de continuidad con indicación audible
26. Modo relativo
27. Amperios/voltios
28. Faradios
29. Hertzios/ohmios
30. Indicador de batería descargada



Íconos de la pantalla TightSight™

31. Pantalla de 9999 unidades
32. Indicador de polaridad para CC
33. Medida de CC
34. Medida de CA
35. Amperios



OPERACIÓN:

Advertencia de alto voltaje (Hi-V)

El instrumento produce un pitido y se enciende un LED cuando se mide más de 30 V CA en la función de voltaje de corriente alterna y más de 30 V CC en la función de corriente continua.

Notas: Esta característica no funciona en los modos de medida de resistencia, capacitancia, continuidad o pinza amperométrica. La indicación audible se puede desactivar pulsando y reteniendo el botón Max/Min mientras se gira el conmutador de funciones de OFF a cualquier función deseada. Espere que aparezca Hb y entonces suelte el botón. Para activarla, apague y encienda la unidad.

Característica de retención de datos

Presione el botón Hold (Retención), ubicado en el costado del instrumento, para entrar y salir sucesivamente del modo de retención de datos. Cuando la función de retención de datos está activa, aparece en la parte superior izquierda de la pantalla del instrumento la leyenda 'HOLD' (RETENCIÓN). Utilice la característica de retención de datos para fijar la lectura de una medida en la pantalla. Para que la indicación de la pantalla deje de estar fija y pueda obtenerse una lectura en tiempo real, vuelva a pulsar el botón Hold (Retención).

Característica de medición de pico

En el modo PEAK (PICO), el instrumento muestra el valor PICO de la medición de voltaje o corriente alterna.

Esta función se activa manteniendo pulsado el botón PEAK HOLD durante más de 2 segundos. Para salir del modo de PICO, mantenga pulsado nuevamente el botón PEAK HOLD durante más de 2 segundos.

Característica de máximo/mínimo

La característica Max/Min registra los valores medidos máximo y mínimo. Para activar esta característica, así como para alternar entre las lecturas máxima y mínima, pulse el botón Max/Min. La unidad captura continuamente valores máximos y mínimos a lo largo del tiempo. Para salir de este modo, presione el botón Max/Min durante más de 2 segundos. Nota: Para registrar los valores máximos o mínimos medidos en un período de tiempo mayor que 30 minutos, debe anularse la característica de apagado automático (APO).

Modo relativo

Pulse el botón "Δ" para entrar al modo relativo. Aparece el símbolo "Δ" y el valor de la pantalla se resta y almacena como valor de referencia. En el modo relativo, el valor mostrado en la pantalla es siempre la diferencia entre el valor de referencia almacenado y la lectura actual. Pulse nuevamente el botón "Δ" durante de 2 segundos para salir del modo relativo.

Característica de cero (modelo 61-765 únicamente)

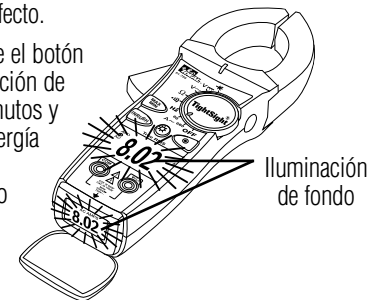
El botón "ZERO" se utiliza para la puesta a cero de la indicación de la pantalla antes de medir corriente continua (CC). Pulse el botón "ZERO" para restar el número distinto de cero. Luego mida la corriente continua (CC) en amperios. Al pulsar el botón "ZERO" nuevamente, el "ZERO" destella, y vuelve a aparecer el número original que se había desplazado. Para salir de este modo, pulse el botón "ZERO" durante más de 2 segundos.

Desactivación de la característica de apagado automático (APO)

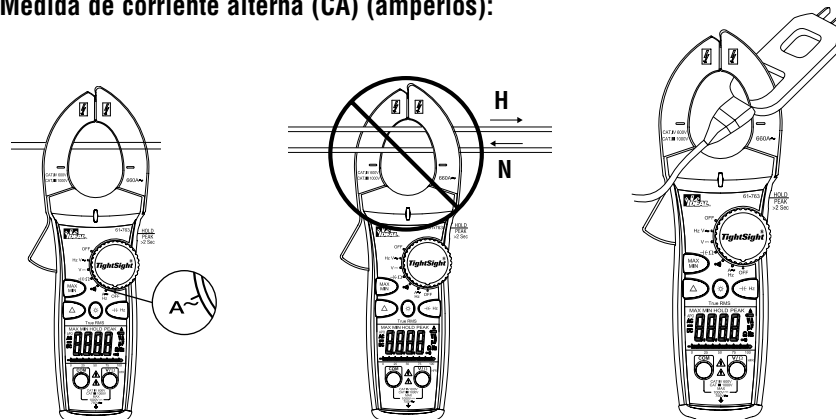
El instrumento se desactiva automáticamente después de 30 minutos sin uso. Si en esa situación pulsa cualquier botón, el instrumento se reactiva e indica en su pantalla la última lectura tomada antes de desactivarse. Para desactivar la característica APO, pulse y retenga el botón (H/Hz) mientras gira el selector a cualquier función deseada. Cuando se anula el apagado automático, la leyenda "APO" desaparece de la pantalla. Al apagar y encender nuevamente el instrumento, se restaura la característica de apagado automático por defecto.

Para encender y apagar la iluminación de fondo, pulse el botón ubicado en la parte media del instrumento. La iluminación de fondo verde permanece encendida durante unos 3 minutos y luego se apaga automáticamente, para preservar la energía de la batería.

Nota: La iluminación de fondo cuadruplica el consumo de la batería. Iluminación de fondo encendida en todas las funciones.



Medida de corriente alterna (CA) (amperios):



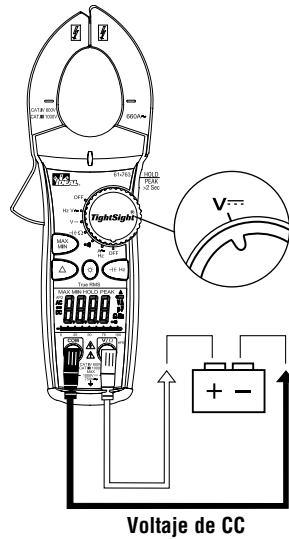
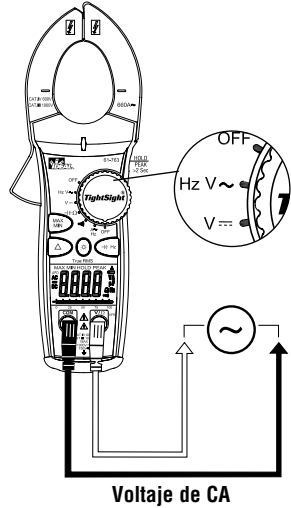
CORRECTO
Sólo un conductor

INCORRECTO
Las corrientes se anulan

CORRECTO
Uso con divisor de línea

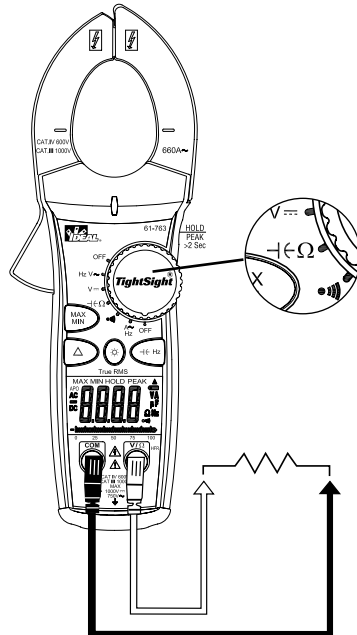
Nota: El modelo 61-765 mide también corriente continua (CC).

Medida de voltaje:



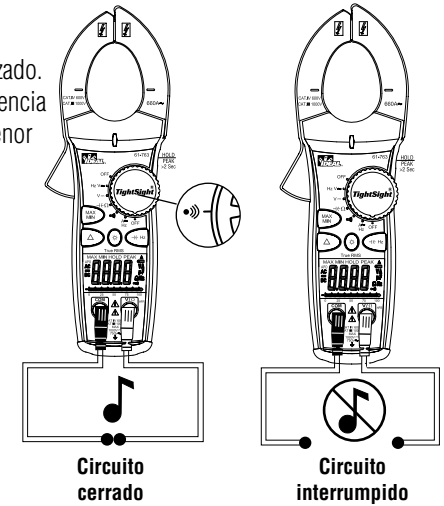
Medida de resistencia (ohmios):

- Para obtener medidas exactas, verifique que el circuito esté desenergizado.

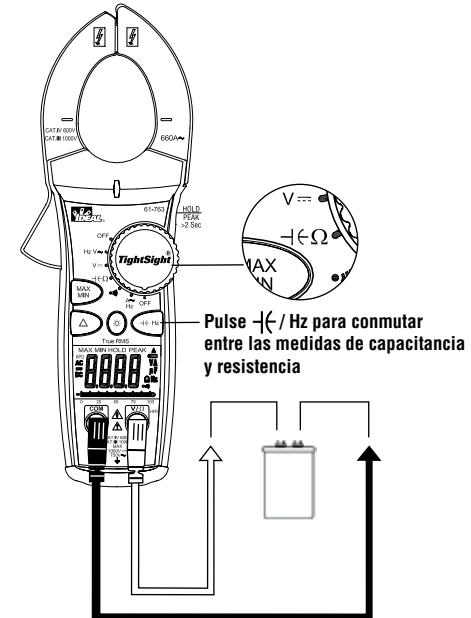


Verificación de continuidad (·)))):

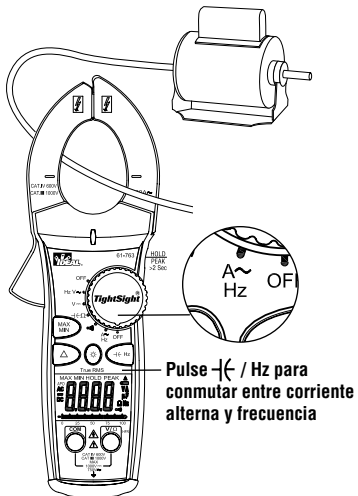
- Verifique que el circuito esté desenergizado.
- El instrumento detecta el nivel de resistencia y emite un pitido si la resistencia es menor que 30Ω para confirmar que existe continuidad.



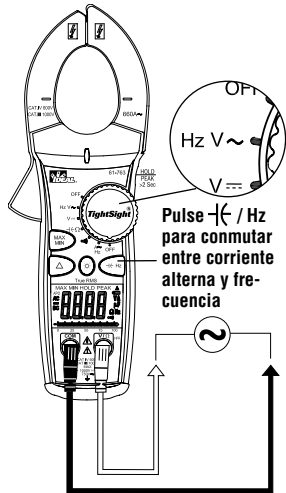
Medida de capacitancia



Medida de frecuencia 61-763 y 61-765



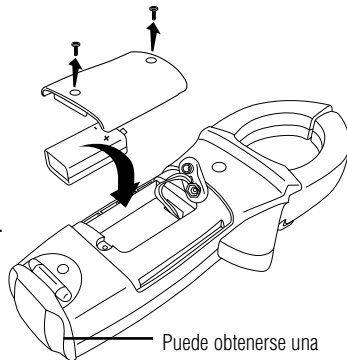
Con el cabezal de pinza



Con cables de prueba

Reemplazo de la batería:

- Asegúrese de que los cables de prueba estén desconectados del circuito o de los componentes.
- Retire los cables de prueba de los conectores hembra (jacks) de entrada del instrumento.
- Quite los dos tornillos de la tapa de la batería.
- Retire la tapa de la batería.
- Reemplace la batería por una nueva de 9 V.
- Monte la tapa de la batería en el instrumento y vuelva a apretar los tornillos.



Mantenimiento:

Limpie la caja con un trapo humedecido y detergente suave. No use abrasivos ni disolventes.

Servicio y repuestos:

Esta unidad no contiene piezas reparables por el usuario. Para obtener información sobre piezas de repuesto o para averiguar acerca del servicio, comuníquese con IDEAL INDUSTRIES, INC. al 1-877-201-9005 o visite nuestro sitio web, www.testersandmeters.com.

Especificaciones:

Pantallas:	LCD de 4 dígitos con 9999 unidades para ambas pantallas con gráfico de barras analógico de 41 segmentos en la pantalla frontal
Iluminación de fondo:	Iluminación verde, con apagado automático después de 3 minutos
Polaridad:	Automática, positiva implícita, indicación de polaridad negativa (-).
Fuera de alcance:	Se indica en la pantalla "OL".
Cero:	Automático
Frecuencia de pantalla (medida):	La pantalla se actualiza 2 veces por segundo (nominal).
Apagado automático (Auto Power Off – APO):	Después de 30 minutos sin uso
Vida de la batería:	100 horas continuas, con batería alcalina (61-763 y 61-765)
Indicación de batería descargada:	El símbolo [] aparece en la pantalla durante alrededor de una hora cuando el voltaje de la batería es insuficiente. Luego, aparece "bAtt" por 5 segundos y la unidad se apaga. La duración del indicador varía según la marca de las baterías.
Fuente de alimentación:	(1) Batería de 9 V (NEDA 1604, JIS 006P, IEC 6F22) Con compartimiento aislado para batería.
Exactitud:	Exactitud especificada a 23 °C ± 5 °C, humedad relativa < 75 %.
temperatura:	Coefficiente de 0.1 x (exactitud especificada) por °C, (0°C a 18°C, 28°C a 50°C).
Altitud:	2000 m (6561.7 pies)
Ambiente de operación:	0°C a 50°C (32°F a 122°F) a una H.R. < 70%
Ambiente de la pantalla:	-20°C a +70°C (-4°F a 158°F)
Ambiente de almacenamiento:	-20°C a 60°C (-4°F a 140°F) a una H.R. < 80% sin la batería
Abertura de la mordaza:	Acepta un conductor de 36 mm (1.42")
Dimensiones:	222 mm [altura] x 80 mm [ancho] x 45.5 mm [prof.] (8.7" [altura] x 3.1" [ancho] x 1.8" [prof.])
Peso:	350 g (12.3 onzas) con batería incluida
Accesorios incluidos:	Estuche de transporte, cables de prueba con pinzas cocodrilo, (1) batería de 9 V e instrucciones de operación.
Seguridad:	Cumple las especificaciones UL61010-1 (Second Edition), IEC 61010-2-032, IEC 61010-031, EN61010-1, EN61010-2-032, EN61010-031, CAN/CSA C22.2 no. 1010.1-92 et CAN/CSA C22.2 NO. 1010.2.032-96 Cat IV-600 V/Cat III-1000 V



⊠ Aislamiento doble

El instrumento ha sido evaluado y cumple con la categoría IV de aislamiento (categoría IV de sobrevoltaje). Grado 2 de contaminación, de acuerdo con IEC-644. Uso en interiores.

Alcances y exactitudes:

Convertidor de CA: Los modelos 61-763 y 61-765 incluyen sensado de valor eficaz (rms) real.

Exactitud: La exactitud se especifica como +/- (un porcentaje de la lectura + una cantidad fija) a $23\text{ }^{\circ}\text{C} \pm 5\text{ }^{\circ}\text{C}$ ($73.4\text{ }^{\circ}\text{F} \pm 9\text{ }^{\circ}\text{F}$), y una humedad relativa menor que 75 %.

Coefficiente de temperatura: 0.1 veces la especificación aplicable de precisión por grado C, desde $0\text{ }^{\circ}\text{C}$ hasta $18\text{ }^{\circ}\text{C}$ y desde $28\text{ }^{\circ}\text{C}$ hasta $50\text{ }^{\circ}\text{C}$ ($32\text{ }^{\circ}\text{F}$ a $64\text{ }^{\circ}\text{F}$, y $82\text{ }^{\circ}\text{F}$ a $122\text{ }^{\circ}\text{F}$)

De las funciones	Alcance y resolución	Exactitud		Protección de la entrada
		61-763	61-765	
Corriente de CA ¹	0.0 a 660.0A	2.0% + 5 (45Hz a 60Hz)	2.0% + 5 (20Hz a 100Hz)	660A AC
		6.0% + 5 (60Hz a 400Hz)	6.0% + 5 (100Hz a 400Hz)	
Corriente de CC	0.0 a 660.0A	N/A	2.0% + 5	660 ACDC (sólo 61-765)
Voltaje de CA ^{1,2}	0.0 a 600.0V	1.0% + 5 (45Hz a 100Hz)	1.0% + 5 (20Hz a 100Hz)	1000 V CC / 750V CA ef.
	600.0 a 750.0V	1.5% + 5 (45Hz a 100Hz)	1.5% + 5 (45Hz a 100Hz)	
	0.0 a 750.0V	6.0% + 5 (100Hz a 400Hz)	6.0% + 5 (100Hz a 400Hz)	
Voltaje de CC ²	0.0-600.0V	1.0% + 5	1.0% + 5	1000 V CC / 750V AC ef.
	600.0 a 999.9V	1.5% + 5	1.5% + 5	
Resistencia ³	0.0 a 999.9 Ω	1.5% + 5	1.5% + 5	600V CC/CA ef.
	1000 a 9999 Ω			
Capacitancia	0.0 a 999.9 μF	5.0% + 15	5.0% + 15	600V CC/CA ef.
Continuidad	0.0 a 999.9 Ω	Audible a < 30 Tiempo de respuesta: 500 ms	Audible a < 30 Tiempo de respuesta: 500 ms	600V CC/CA ef.
Frequency ⁴	20.0 a 400.0 Hz	0.5% + 5	0.5% + 5	1000 V CC / 750 V CA ef.

*Exactitud especificada para factor de cresta ≤ 1.5 a plena escala y ≤ 3 a mitad de escala

Pico:

¹ Para VCA/A CA/CC (45-65 Hz) tiene una exactitud de $\pm(5\%$ lectura + 15 dígitos); entrada mínima para VCA > 10V y para A CA/CC > 10 A; tiempo de respuesta > 1 ms.

² Impedancia de entrada: 1M Ω .

³ Voltaje a circuito abierto = 1.2 V CC

⁴ Sensibilidad en función de la frecuencia: 5 V rms en el rango de VOLTAJE DE CA (5 A CA a 20-100 Hz)

(10 A CA a 100-400 Hz),

La frecuencia se puede medir con el cabezal de pinza.

Protección contra sobrecargas: 1000 AAC, 1000 VDC or 750 VAC RMS

Disposición final de desechos de equipos eléctricos y electrónicos



A fin de preservar, proteger y mejorar la calidad del medio ambiente, proteger la salud humana y utilizar los recursos naturales en forma prudente y racional, de acuerdo a las regulaciones legales el usuario debe devolver el producto fuera de servicio a los establecimientos correspondientes. El símbolo del cubo de residuos con ruedas tachado con una cruz indica que la disposición final del producto debe realizarse por separado y no entre los desechos municipales.

Disposición final de baterías y acumuladores usados



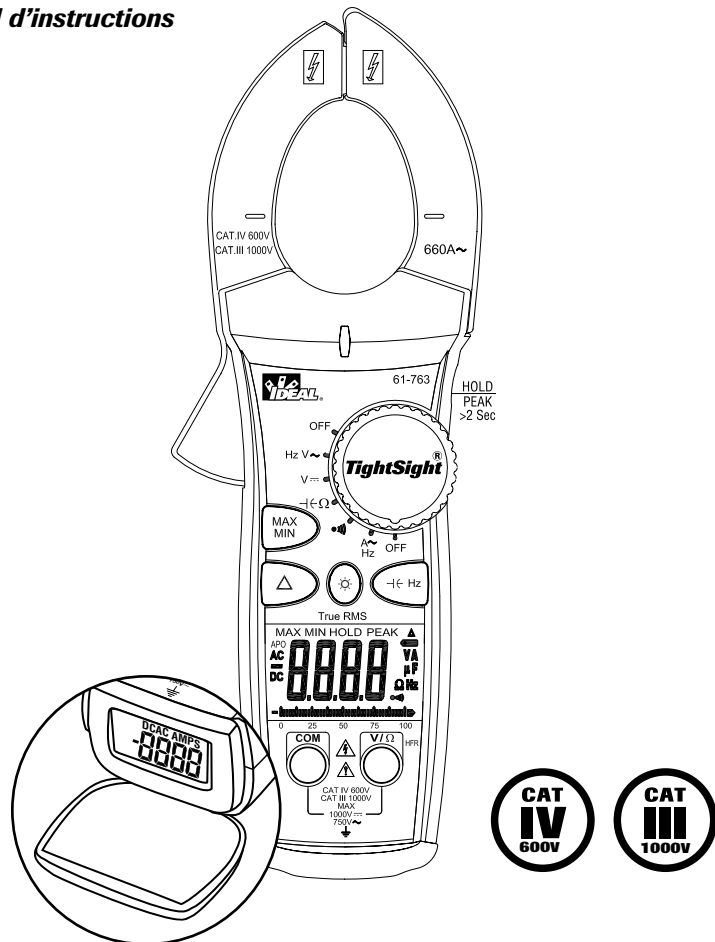
El usuario tiene la obligación legal de devolver las baterías y acumuladores usados. ¡Está prohibido arrojar las baterías usadas a los cubos de residuos domésticos! Las baterías y acumuladores que contienen sustancias peligrosas están marcados con el símbolo de un cubo de residuos con ruedas tachado con una cruz. Este símbolo indica que está prohibido desechar el producto como residuo doméstico. Los símbolos químicos de las sustancias peligrosas respectivas son Cd = Cadmio, Hg = Mercurio, Pb = Plomo. Puede entregar las baterías y acumuladores usados sin cargo en cualquier punto de recolección de su autoridad local, nuestras tiendas o los lugares de venta de baterías y acumuladores. De esta forma, cumple con sus obligaciones legales y contribuye a la protección ambiental.

Garantía:

Se garantiza este instrumento al comprador original contra defectos de material o mano de obra por dos años contados a partir de la fecha de compra. Durante este período de garantía, IDEAL INDUSTRIES, INC. reemplazará o reparará la unidad defectuosa, a la sola opción de IDEAL, sujeto a la verificación del defecto o falla. Esta garantía no se aplica a defectos resultantes del mal uso, negligencia, accidente, reparación no autorizada, alteración o uso irracional de este instrumento. Todas las garantías implícitas originadas en la venta de un producto IDEAL, incluidas —pero sin limitarse a ellas— las garantías implícitas de comerciabilidad y aptitud para un propósito particular, se limitan a lo indicado anteriormente. El fabricante no es responsable legal de la pérdida del uso del instrumento u otros daños y perjuicios incidentales o consecuentes, gastos o pérdidas económicas, ni de ninguna demanda por dichos daños y perjuicios, gastos o pérdidas económicas. Las leyes estatales varían, por lo que las limitaciones o exclusiones anteriores pueden no aplicarse en su caso. Esta garantía le otorga derechos legales específicos y usted puede tener también otros derechos que varían según el estado. La garantía no cubre las baterías.

Pince ampérimétrique de 660 A TRMS avec affichage TightSight™

Manuel d'instructions




Affichage TightSight™

! Lire en premier : Informations de sécurité

Assimiler et se conformer scrupuleusement aux instructions d'utilisation. N'utiliser le multimètre que de la façon spécifiée dans le présent manuel ; à défaut, la protection offerte par le multimètre pourra être compromise.

! AVERTISSEMENT

Pour éviter tout risque d'électrocution, de lésions personnelles ou de mort, se conformer aux directives suivantes :

- Ne pas utiliser le multimètre s'il paraît endommagé. Examiner le multimètre pour s'assurer que son boîtier n'est pas fissuré et que sa partie arrière est bien assujettie.
- Inspectez et remplacez les cordons si leur isolation est endommagée, le métal exposé ou les sondes craquelées. Porter une attention particulière à l'isolant entourant les connecteurs.
- Ne pas utiliser le multimètre s'il fonctionne de manière anormale, la protection qu'il offre pouvant être compromise.
- Ne pas utiliser l'appareil pendant des orages ou par temps très humide.
- Ne pas utiliser l'appareil en présence de gaz, poussière ou vapeur explosifs.
- Ne pas soumettre le multimètre à une tension supérieure à la tension nominale.
- Ne pas utiliser sans la pile ou si l'arrière du boîtier n'est pas bien monté.
-  Remplacer la pile dès que le témoin de pile est affiché afin d'éviter les fausses lectures.
- Retirer les fils d'essai du circuit avant de retirer le capuchon de pile.
- Ne pas tenter de réparer cet appareil. Il ne comporte aucune pièce réparable par l'utilisateur.

ATTENTION

Pour vous protéger, ayez le réflexe « la sécurité d'abord ».

- Les tensions dépassant 30 V CA ou 60 V CC peuvent présenter un risque d'électrocution, il faut donc faire preuve de prudence.
- Utiliser un équipement de protection individuelle approprié, comme lunettes de sécurité, masque facial, gants isolants, chaussures isolées, et/ou tapis isolants.
- Avant chaque utilisation :
 - Procéder à un essai de continuité et mettant les fils d'essai en contact l'un avec l'autre afin de contrôler le fonctionnement de la pile et des fils d'essai.
 - Utiliser la méthode de sécurité en 3 points. (1) Vérifier le fonctionnement du multimètre en mesurant une tension connue. (2) Appliquer le multimètre au circuit en cours de contrôle. (3) Retourner à la tension active connue pour vérifier le bon fonctionnement.
- Utiliser les bonnes bornes, fonctions et plage pour vos mesures.
- Ne jamais se mettre à la terre quand on procède à des mesures électriques.
- Connecter le conducteur commun noir à la terre ou au neutre avant d'appliquer le conducteur d'essai rouge sur la tension potentielle. Commencer par déconnecter le fil d'essai rouge de la tension.
- Travailler toujours avec un équipier.
- Quand on se sert des sondes, tenir les doigts aussi loin que possible des pointes de sonde.

Caractéristiques communes de la Série 760 :

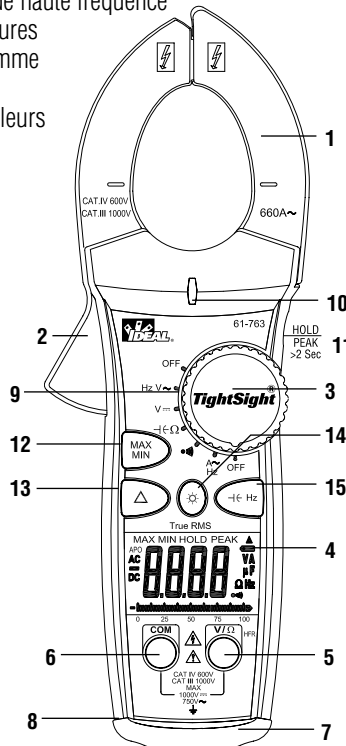
- Grand affichage de chiffres et de symboles
- Crête, maxi/mini, maintien de données
- Affichage inférieur TightSight™
- Coupure automatique et témoin de décharge de pile sélectionnables
- Témoin de décharge de pile visuel et sonore sélectionnable en présence de tension
- Mâchoires effilées permettant de travailler dans des espaces restreints
- Mesure le courant de 660 c.a. A (61-763)
- Bout en forme de crochet pour une séparation plus facile des fils
- Mesure c.a. C/c.c. C (61-765)
- Gaine caoutchoutée de protection
- Mesure la tension c.a./c.c. et la résistance et la capacité
- Protection électronique contre la surcharge sur toutes les plages
- Continuité audible
- Cat IV-600 V/Cat III-1000 V
- Rétroéclairage lumineux et clair

Caractéristiques particulières du modèle :

- Les modèles 61-763 et 61-765 sont à détection de valeurs réelles efficaces, mesurent la tension c.a./c.c., la capacité, le courant c.a. et la fréquence
- Les deux modèles utilisent un circuit de rejet de haute fréquence qui filtre le bruit et permet de réaliser des mesures précises sur des formes d'onde complexes comme celles des variateurs de vitesse.
- Le modèle 61-765 assure une détection par valeurs efficaces réelles et mesure le courant continu

Caractéristiques

1. Mâchoires effilées avec bout crochet
2. Levier
3. Cadran des fonctions
4. Affichage principal (cristaux liquides)
5. Terminal d'entrée tension et résistance (V-Ω)
6. Terminal d'entrée commun (COM)
7. Affichage inférieur TightSight™
8. Gaine caoutchoutée de protection
9. Fonctions de mesure
10. Avertissement de haute tension (Hi-V)
11. Rétention de données et crête
12. Maxi/mini
13. Relatif (61-763)
Relatif/Zéro (61-765)
14. Rétroéclairage
15. Capacité (F) / Fréquence (Hz)

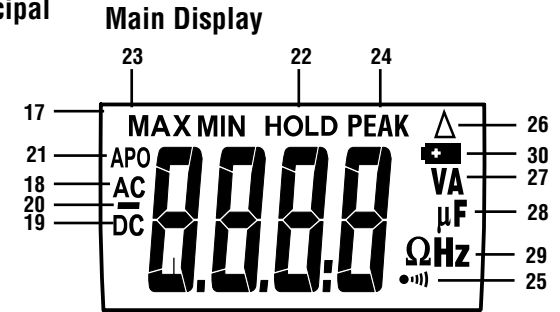


Symboles figurant sur l'appareil

- Avertissement – lire le manuel d'instruction
- Cat IV – Catégorie de sécurité 600 V
- Cat III – Catégorie de sécurité 1000 V

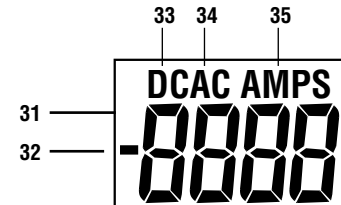
Icône de l'affichage principal

17. Affichage jusqu'à 9999
18. Mesure de c.a.
19. Mesure de c.c.
20. Témoin de polarité pour c.c.
21. Arrêt automatique de l'alimentation (APO)
22. Rétention
23. Mini/Maxi
24. Crête
25. Continuité audible
26. Relatif
27. Volts/Ampères
28. Farads
29. Hertz/Ohms
30. Témoin de décharge de la pile



Icônes de l'affichage TightSight™

31. Affichage jusqu'à 9999
32. Témoin de polarité pour c.c.
33. Mesure de c.c.
34. Mesure de c.a.
35. Ampères



FONCTIONNEMENT :

Avertissement de haute tension (HI-V)

L'appareil émet un bip sonore et une DEL s'allume quand on mesure > 30 V c.a. sur la fonction V c.a. et > 30 V c.c sur la fonction V c.c. Remarques : Cette fonction n'est pas disponible sur les modes ohm, condensateur, continuité ou pince. L'indication sonore peut être invalidée en maintenant le bouton Max/min tout en tournant le commutateur de fonction de la position OFF à toute fonction désirée. Attendre que **Hb** soit affiché pour relâcher le bouton. Pour valider, éteindre l'appareil et le remettre en marche.

Fonction de rétention des données

Appuyer sur le bouton Hold (rétention) situé sur le côté du multimètre pour basculer dans et hors du mode de rétention des données. « HOLD » est affiché dans le coin supérieur gauche de l'affichage du multimètre quand la fonction de rétention des données est active. Utiliser la fonction de rétention des données pour verrouiller une lecture de mesure sur l'affichage. Appuyer à nouveau sur le bouton Hold (Rétention) pour déverrouiller l'affichage pour obtenir une lecture en temps réel.

Fonction crête

Sur le mode CRÊTE, l'appareil affichait la valeur CRÊTE de volts c.a. ou la mesure de courant. La fonction CRÊTE est validée en appuyant sur le bouton PEAK HOLD (Rétention de crête) pendant plus de 2 s.

Pour quitter le mode CRÊTE appuyer sur PEAK HOLD à nouveau pendant plus de 2 s.

Fonction Maxi/mini

Le Max/Min enregistre les valeurs maximales et minimales mesurées. Appuyer sur le bouton Max/Min pour activer cette fonction et basculer entre les lectures maxi et mini. L'appareil capturera continuellement les valeurs mini et maxi dans le temps. On quitte ce mode en appuyant sur le bouton max/min pendant plus de 2 s. Remarque : Pour enregistrer les valeurs maxi/mini sur une période de plus de 30 mn, il faut invalider la fonction d'arrêt automatique (APO).

Mode relatif

Appuyer sur le bouton "Δ" pour passer sur le mode Relatif. Le symbole "Δ" est affiché et la valeur de l'affichage est soustraite et enregistrée en guise de valeur de référence. Sur le mode Relatif, la valeur affichée est toujours la différence entre la valeur de référence enregistrée et la valeur actuelle. Appuyer à nouveau sur le bouton "Δ" pendant > 2 secondes pour quitter le Mode Relatif.

Fonction Zéro (modèle 61-765 seulement)


Le bouton « ZÉRO » permet de mettre l'affichage à zéro avant de mesurer le courant continu. Appuyer sur le bouton « ZÉRO » pour soustraire le nombre non-zéro. Puis, mesurer les ampères de courant continu. Le fait d'appuyer à nouveau sur le bouton « ZÉRO » fait clignoter le « ZÉRO » et affiche le décalage original.

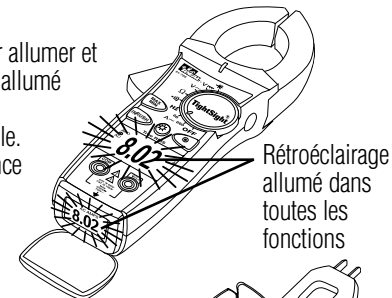
Appuyer plus de 2 s sur le bouton « ZÉRO » pour quitter ce mode.

Invalidation de la fonction Arrêt automatique de l'alimentation (APO)

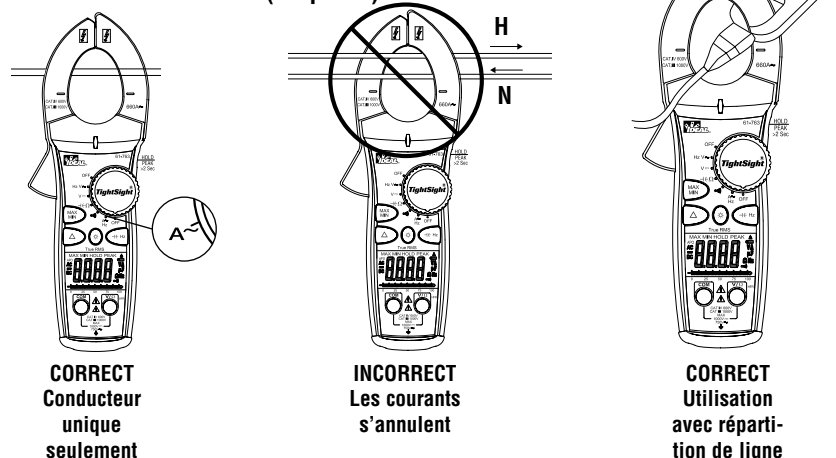
Ce multimètre s'éteint automatiquement au bout de 30 minutes s'il n'est pas utilisé. Appuyer sur n'importe quel bouton, le multimètre s'allume automatiquement et affiche la dernière lecture relevée. Pour invalider l'APO maintenir le bouton (H/Hz) enfoncé tout en tournant le cadran sur la position désirée. Quand APO est neutralisé, « APO » disparaît de l'affichage. Quand on éteint puis rallume le multimètre, on restaure l'APO (coupure automatique) implicite.

Rétroéclairage

Appuyer sur le bouton  au milieu de l'appareil pour allumer et éteindre le rétroéclairage. Le rétroéclairage demeurera allumé pendant environ 3 minutes avant de s'éteindre automatiquement pour conserver la puissance de la pile. Remarque : Le rétroéclairage consomme 4x la puissance de la pile.

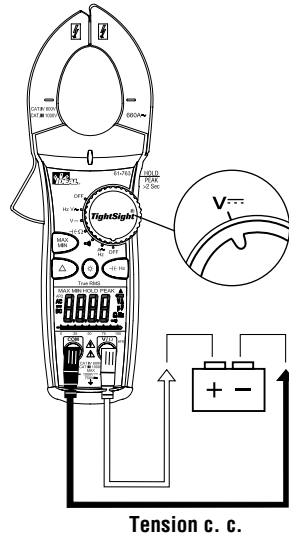
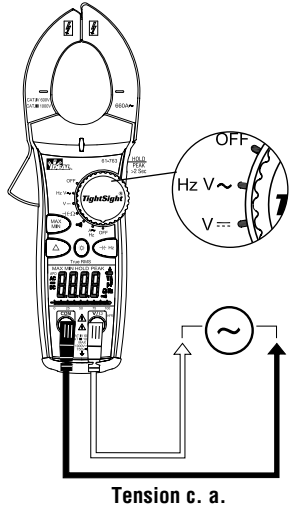


Mesure du courant C.A. (Ampères) :



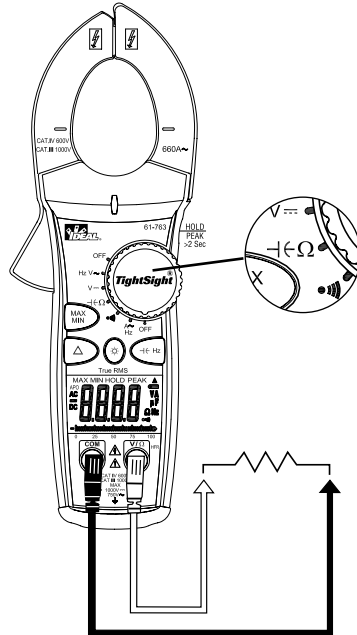
Remarque : Le modèle 61-765 mesure aussi le courant continu.

Mesure de la tension :



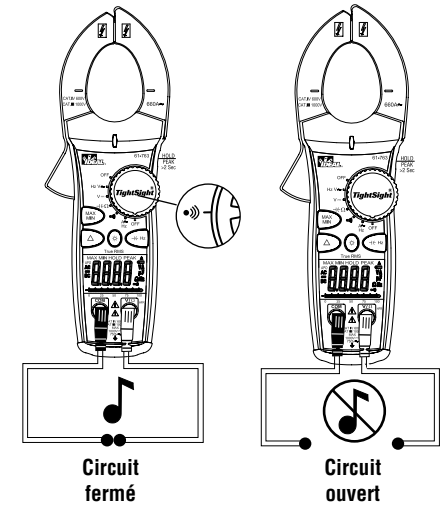
Mesure de la résistance (Ohms) :

- Vérifier que le circuit est déséxcité pour obtenir des mesures précises.

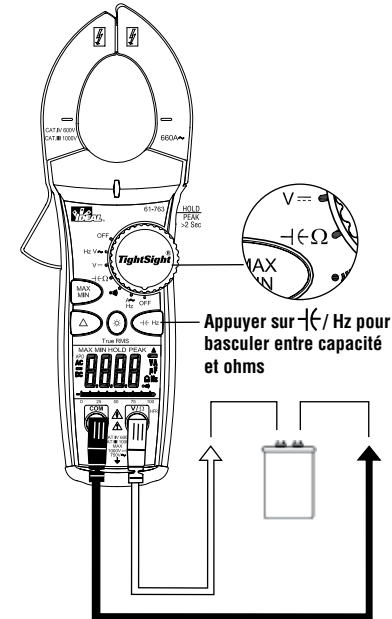


Vérification de la continuité (••••) :

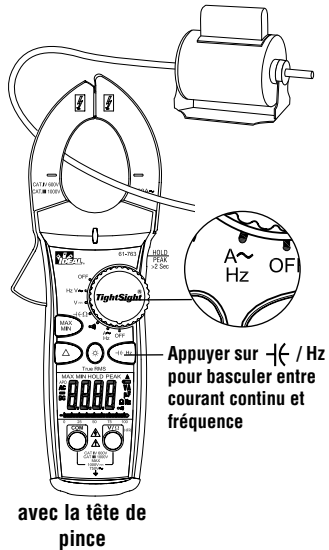
- Vérifier que le circuit est déséxcité.
- Le multimètre détectera le niveau de résistance et émettra un signal sonore si la résistance est inférieure à 30Ω pour confirmer la présence d'une continuité.



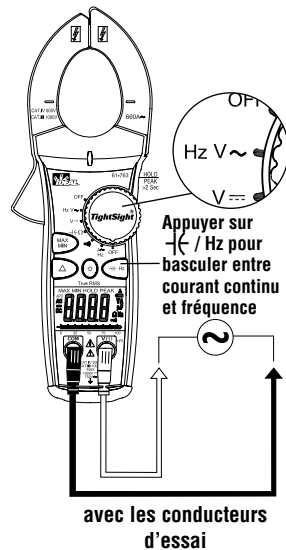
Mesure de la capacité



Mesure de la fréquence 61-763, 61-765



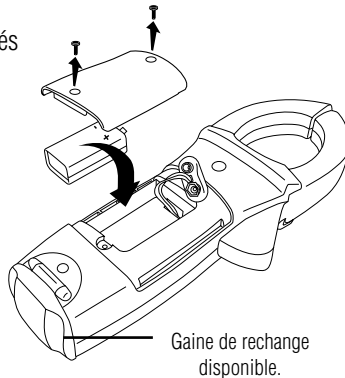
Appuyer sur \leftarrow / Hz pour basculer entre courant continu et fréquence



Appuyer sur \leftarrow / Hz pour basculer entre courant continu et fréquence

Remplacement de la pile :

- S'assurer que les fils d'essai sont déconnectés du circuit ou des composants.
- Retirer les fils d'essai des prises d'entrée du multimètre.
- Retirer les deux vis du capuchon de piles.
- Retirer le capuchon de piles.
- Remplacer la pile par une pile neuve de 9 V.
- Monter le capuchon des piles sur le multimètre et resserrer les vis.



Entretien :

Nettoyez le boîtier avec un chiffon humidifié avec du détergent doux. Ne pas utiliser de produits abrasifs ni de solvants.

Entretien-dépannage et pièces de rechange :

Cet appareil ne comporte pas de pièces réparables par l'utilisateur. En ce qui concerne les pièces de rechange ou les renseignements concernant l'entretien-dépannage, se mettre en rapport avec IDEAL INDUSTRIES, INC. Au 1-877-201-9005 ou visitez notre site web www.testersandmeters.com.

Spécifications :

AFFICHE :

4 chiffres avec cristaux liquides jusqu'à 9999 pour les deux affichages avec graphique à barres analogique de 41 segments sur l'affichage avant.

Rétroéclairage :

Illumination verte avec arrêt automatique au bout de 3 minutes

Polarité :

Indication de polarité automatique, positif implicite, négatif (-).

Dépassement :

L'indication « OL » est affichée.

Zéro :

Automatique

Fréquence d'affichage

Affichage mis à jour 2 fois par seconde, nominal.


(Mesure):

Au bout de 30 minutes de non-utilisation.

Arrêt automatique :

100 heures d'utilisation en continu avec une pile alcaline (61-763, 61-765)

Durée de service de la pile :

Le symbole () s'affiche pendant une heure environ en présence d'une tension insuffisante. "bAtt" s'affiche ensuite pendant 5 secondes puis l'appareil s'éteint. La durée de l'indication varie en fonction de la marque de la pile.

Témoin de décharge de piles :

Alimentation :

(1) pile de 9 V (NEDA1604, JIS 006P, IEC 6F22)

Précision :

Comprend un logement de pile isolé.

Température

Précision nominale à 23°C ±%5°C, < 75 % H.R.

Coefficient :

0,1 x (précision spécifiée) par °C,

Altitude :

0°C à 18°C (28°C à 50°C)

Environnement de fonctionnement :

6561,7 pi (2000 m)

Environnement d'affichage :

0°C C à 50,00°C (0,00°C à 50°C) à < 70% d'H.R.

Environnement de stockage :

-4°F à 158°F (-20°C à +70°C)

Ouverture de la mâchoire :

Accepte un fil de 1,42 po (36mm)

Dimensions :

222 x 80 x 45,5 mm (8,7 po H x 3,1 po L x 1,8 po I)

Poids :

350 g (12,3 oz) pile y compris

Accessoires fournis :

Etui de transport, fils d'essai avec pince crocodile (1) pile de 9 V, mode d'emploi.

Sécurité :

Conforme avec les caractéristiques techniques de : UL61010-1 (Second Edition), IEC 61010-2-032, IEC 61010-031, EN61010-1, EN61010-2-032, EN61010-031, CAN/CSA C22.2 no. 1010.1-92 et CAN/CSA C22.2 NO. 1010.2.032-96 Cat IV-600 V/Cat III-1000 V

 **Double isolation**

L'appareil a été évalué et il est conforme à la catégorie d'isolation IV (catégorie de surtension IV). Degré 2 de pollution en conformité avec IEC-644. Utilisation à l'intérieur.

Plages et précisions :

Convertisseur c.a. : Les modèles 61-763, 61-765 assurent une détection avec valeurs efficaces réelles.

Précision : La précision est spécifiée sous la forme d'un +/- (pourcentage de la lecture + une quantité fixe) à 23°C ± 5°C (73,4°F ± 9°F), moins de 75 % d'humidité relative.

Coefficient de température : 0,1 fois la spécification de précision applicable par degré C de 0°C à 18°C et 28°C à 50°C (32°F à 64°F et 82°F à 122°F)

Fonction	Plage et résolution	Précision		Protection d'entrée
		61-763	61-765	
Intensité c.a. ¹	0,0 à 660,0A	2,0% + 5 (45Hz à 60Hz)	2,0% + 5 (20Hz to 100Hz)	660 A c.a.
		6,0% + 5 (60Hz to 400Hz)	6,0% + 5 (100Hz to 400Hz)	
Intensité c.c.	0,0 à 660,0A	S/O	2,0% + 5	660 A c.c. (61-765 seulement)
Tension c.a. ^{1,2}	0,0 à 600,0V	1,0% + 5 (45Hz à 100Hz)	1,0% + 5 (20Hz to 100Hz)	1000VDC / 750V AC en valeur efficaces réelles
	600,0 à 750,0V	1,5% + 5 (45Hz à 100Hz)	1,5% + 5 (45Hz to 100Hz)	
	0,0 à 750,0V	6,0% + 5 (100Hz à 400Hz)	6,0% + 5 (100Hz to 400Hz)	
Tension c.c. ²	0,0-600,0V	1,0% + 5	1,0% + 5	1000VDC / 750V c.c. en valeur efficaces réelles
	600,0 à 999,9V	1,5% + 5	1,5% + 5	
Résistance ³	0,0 à 999,9Ω	1,5% + 5	1,5% + 5	600 V c.c./c.a. en valeur efficaces réelles
	1000 à 9999Ω			
Capacité	0,0 à 999,9μF	5,0% + 15	5,0% + 15	600 V c.c./c.a. en valeur efficaces réelles
Continuité	0,0 à 999,9Ω	Audible à < 30 Délai de réaction 500 ms	Audible à < 30 Délai de réaction 500 ms	600 V c.c./c.a. en valeurs efficaces réelles
Fréquence ⁴	20,0 à 400,0 Hz	0,5% + 5	0,5% + 5	1000 V c.c. / 750 V c.a. en valeur efficaces réelles

*Précision énoncée pour facteur de crête ≥ 1,5 à pleine échelle et ≥ 3 à demi-échelle.

CRÊTE :

¹pour V c.a./A c.a./c.c. (45 à 65 Hz) a une précision de ±(5% lect + 15 chiffres); entrée minimale pour VA c.a. > 10 V et pour A c.a./c.c. > 10 A; temps de réponse > 1 ms.

²Impédance d'entrée : 1 MΩ.

³Tension de circuit ouvert 1,2 V c.c.

⁴Sensibilité de fréquence : 5 V en valeur efficace sur une plage de puissance c.a. (≥ 5 A c.a. de 20 à 100 Hz) (≥ 10 A c.a. de 100 à 400 Hz),

La fréquence peut être mesurée à la tête de pince

Protection contre les surcharges: 1000 AAC, 1000 VDC or 750 VAC RMS

Mise au rebut des déchets électriques et du matériel électronique



Afin de préserver, protéger et améliorer la qualité de l'environnement, de protéger la santé humaine et d'utiliser les ressources naturelles prudemment et rationnellement, l'utilisateur doit retourner les produits non réparables aux installations pertinentes, conformément aux règlements. Les poubelles à roues barrées indiquent que le produit doit être évacué séparément et non avec les ordures municipales.



Evacuation des piles/accumulateurs usés !

La loi oblige l'utilisateur à retourner les piles et accumulateurs usés. Évacuer les piles avec les ordures ménagères est interdit ! Les piles/accumulateurs contenant des substances dangereuses sont marquées d'une poubelle à roulettes barrée. Ce symbole indique qu'il est interdit d'évacuer le produit avec les ordures ménagères. Les symboles chimiques des substances dangereuses respectives sont **Cd** = Cadmium, **Hg** = Mercure, **Pb** = Plomb.



Vous pouvez retourner les piles/accumulateurs usées à titre gratuit à tout point de collecte ou à l'autorité locale, nos magasins ou partout où les batteries et piles sont vendues. Vous vous conformerez ainsi à vos obligations juridiques et vous contribuerez à la protection de l'environnement.

Déclaration de garantie :

Ce testeur est garanti à l'acheteur primitif contre tout vice de matière ou de façon pendant deux ans à compter de la date d'achat. Durant cette période de garantie IDEAL INDUSTRIES, INC., à son choix, remplacera ou réparera l'unité défectueuse, suite à la vérification du défaut ou du dysfonctionnement. Cette garantie ne s'applique pas aux défauts résultant d'abus, négligence, accident, réparation non autorisée, altération ou utilisation non raisonnable de l'instrument. Toutes les garanties implicites résultant de la vente d'un produit IDEAL, incluant sans y être limitées les garanties implicites de valeur marchande et d'adaptation à une fin particulière, sont limitées aux conditions ci-dessus. Le fabricant ne sera pas tenu pour responsable de la perte d'usage de l'instrument, ni d'autres dommages accessoires ou indirects, dépenses ou préjudice financier, ou de toute(s) réclamation(s) pour de tels dommages, dépenses ou préjudices. Les lois des provinces varient, donc les limitations et exclusions précédentes peuvent ne pas s'appliquer dans votre cas. Cette garantie vous donne des droits légaux spécifiques, et vous pouvez aussi avoir d'autres droits qui varient d'une province à l'autre. La garantie ne couvre pas les piles.

T
Equipment
.NET



205 Westwood Ave
Long Branch, NJ 07740
1-877-742-TEST (8378)
Fax: (732) 222-7088
salesteam@Equipment.NET