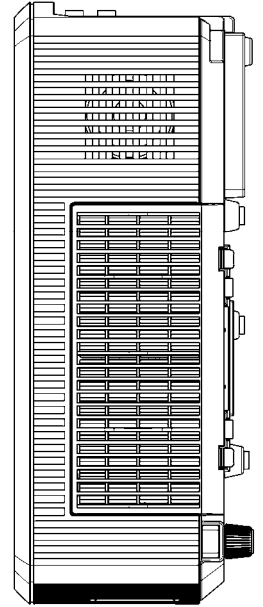
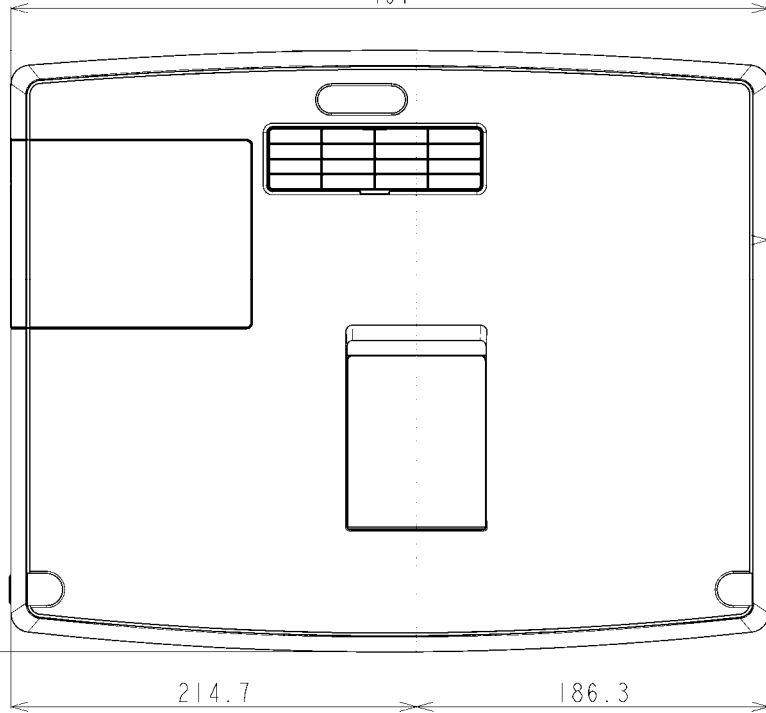


401



318.5

214.7

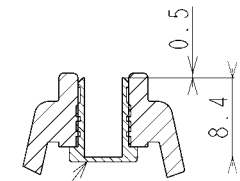
186.3

1:1

[Unit: mm]

11
(b)

13.4
(a)

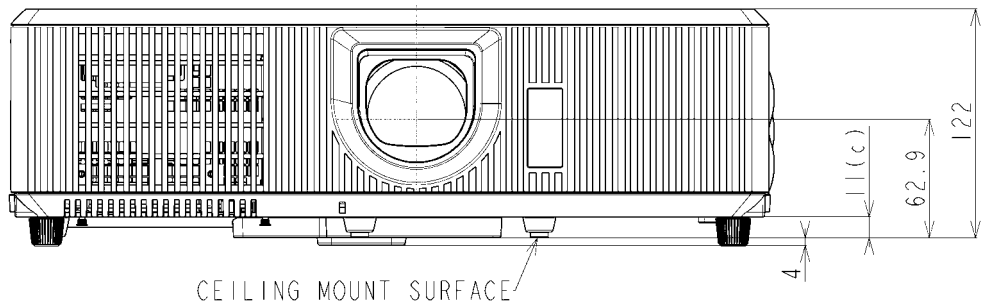


M4 INSERT NUT

A-A

5:1

3 THREADS DETAILS

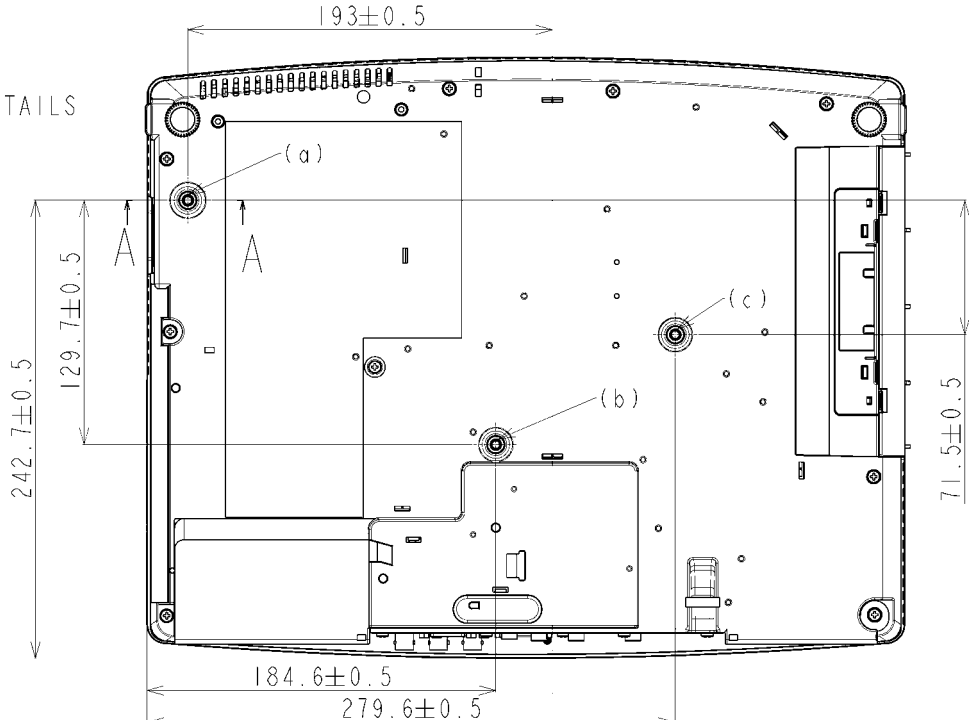


CEILING MOUNT SURFACE

11(c)
4

122
62.9

193±0.5

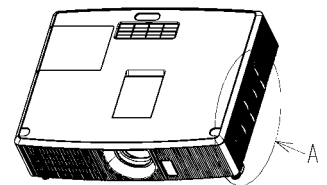


242.7±0.5
129.7±0.5

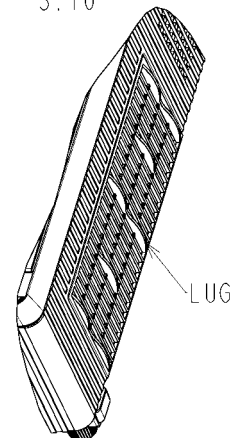
184.6±0.5

279.6±0.5

71.5±0.5



3:10



A

1:1