

# DC211 Quick Start Guide

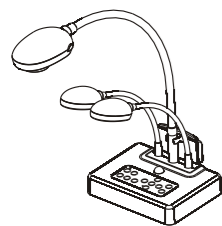
## ⚠ Important

\* Please activate your warranty at [www.lumens.com.tw/reg](http://www.lumens.com.tw/reg)

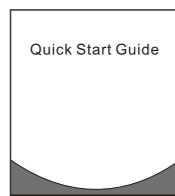
\* Please visit our website [www.lumens.com.tw/goto.htm](http://www.lumens.com.tw/goto.htm) to download latest version of Software, Multilingual User Manual and Quick Start Guide.

## 1. Package Contents

**Main Unit**

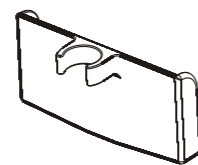


**Quick Start Guide**



\* To download this manual in other languages, visit Lumens website

**Remote Control Holder**



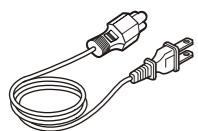
**VESA Base Installation Guide**



**Remote control**

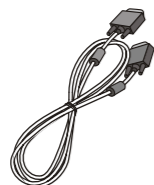


**Power Cord**

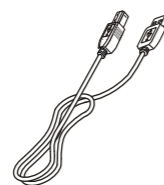


\* Appearance may vary in different countries

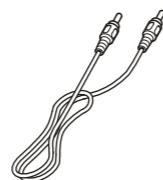
**VGA Cable**



**USB Cable**



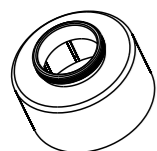
**C-Video Cable**



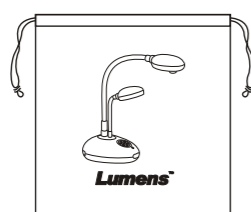
**RS232 Adapter (Optional)**



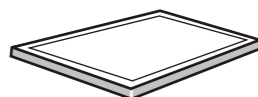
**Microscope Adapter**



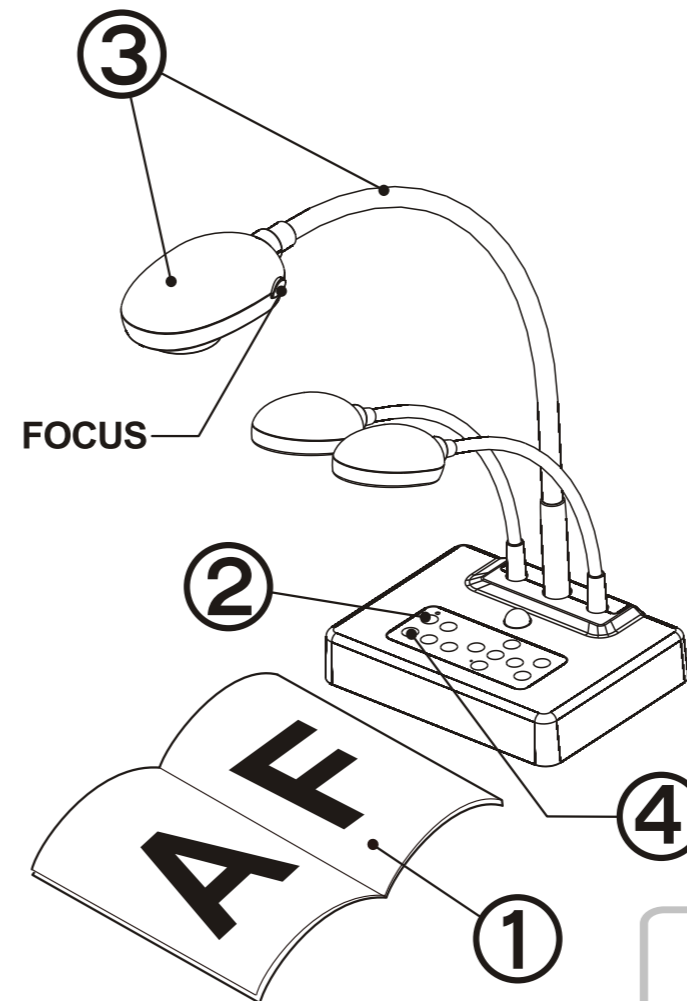
**Pouch**



**Backlight (Optional)**

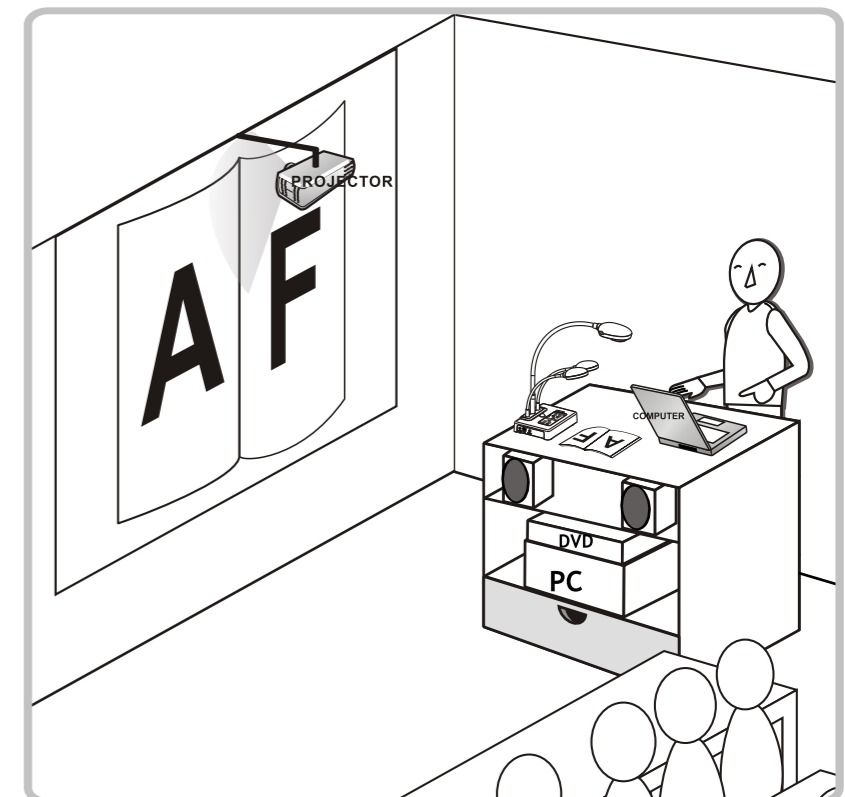


## 2. Getting Started



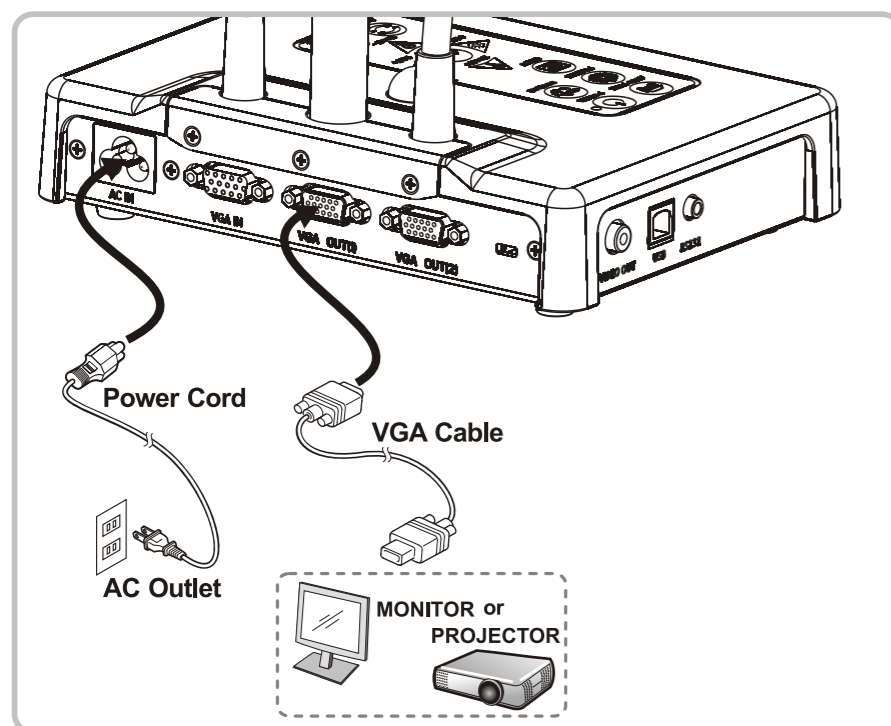
- ① Place an object to be displayed under the camera.
- ② Turn the power on.
- ③ Adjust the gooseneck and lens to appropriate position.
- ④ Press the [ AUTO TUNE ] button to optimize the image. You are ready to teach / present.

\* Each time the camera head is moved, press the [ FOCUS ] button to refocus the lens.

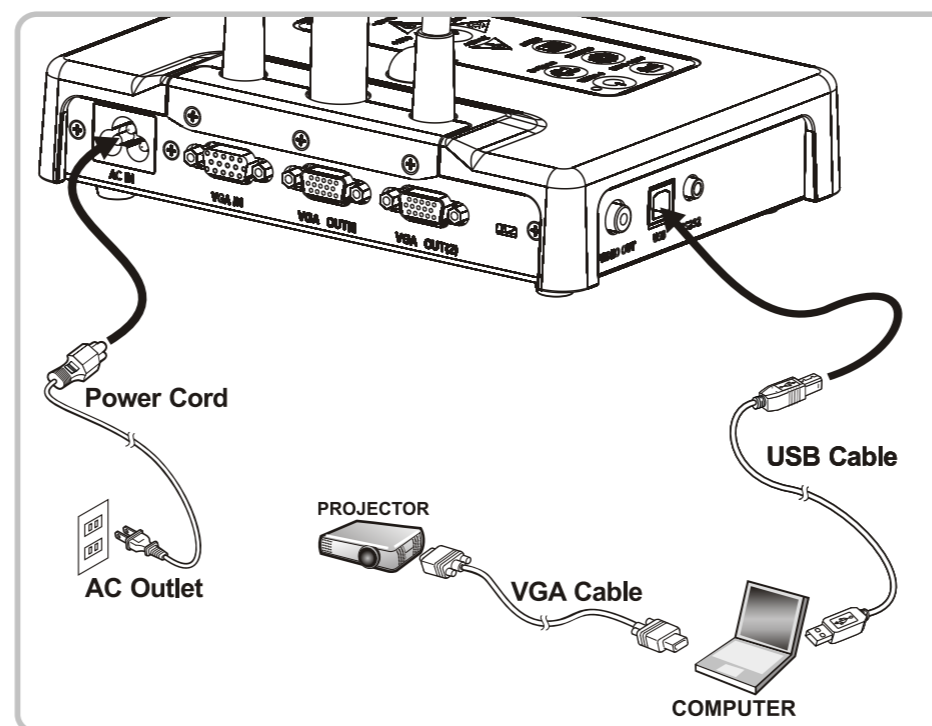


### 3. Installation & Connection

▼ Connect to a Projector or Monitor

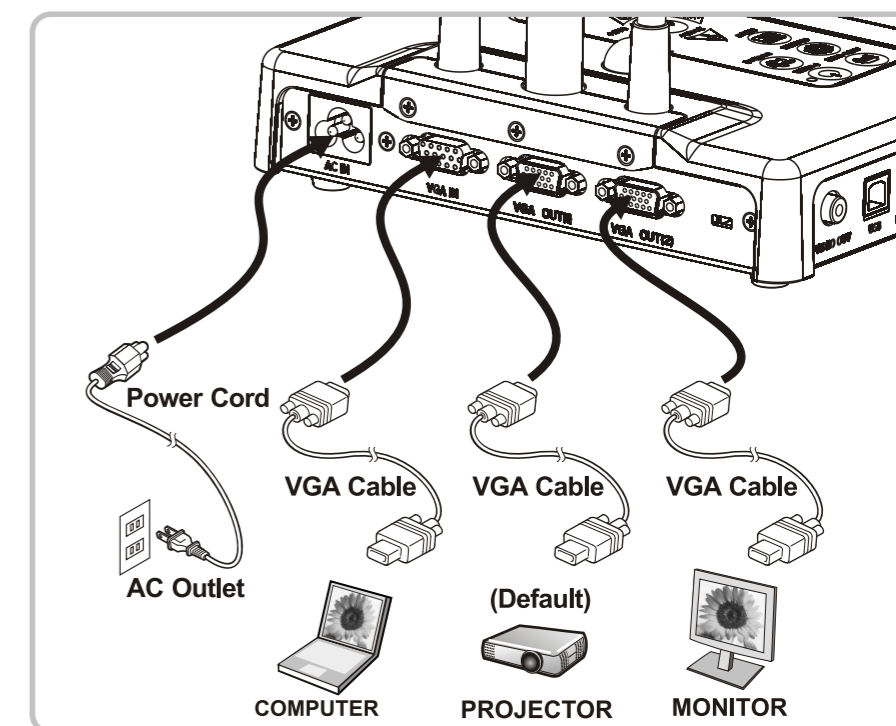


▼ Connect to a Computer and Use Lumens' Software.



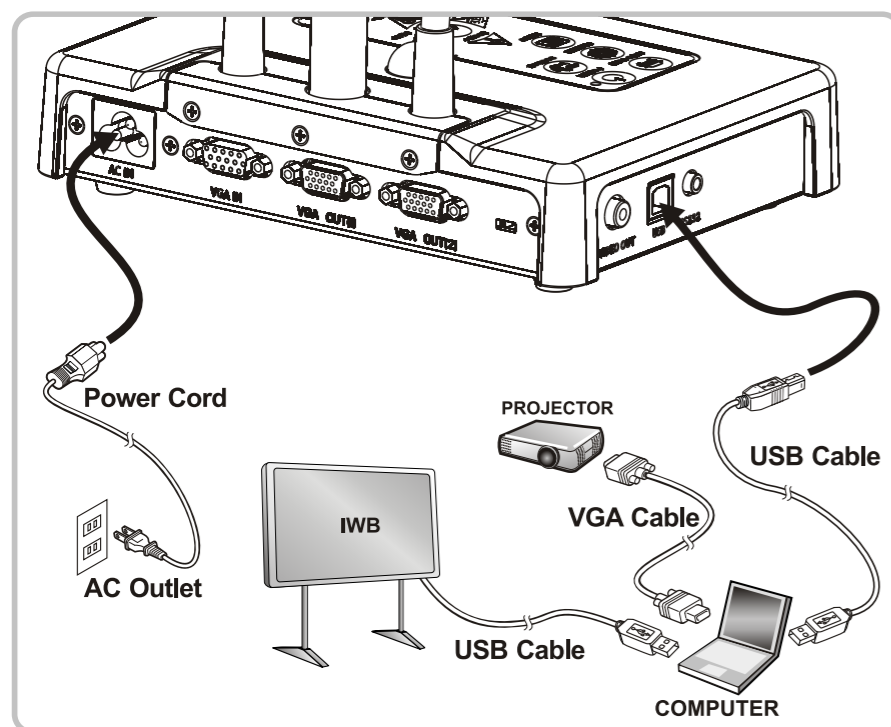
\* Driver and software can be downloaded from Lumens website.

▼ Connect a Projector, Computer and Monitor simultaneously

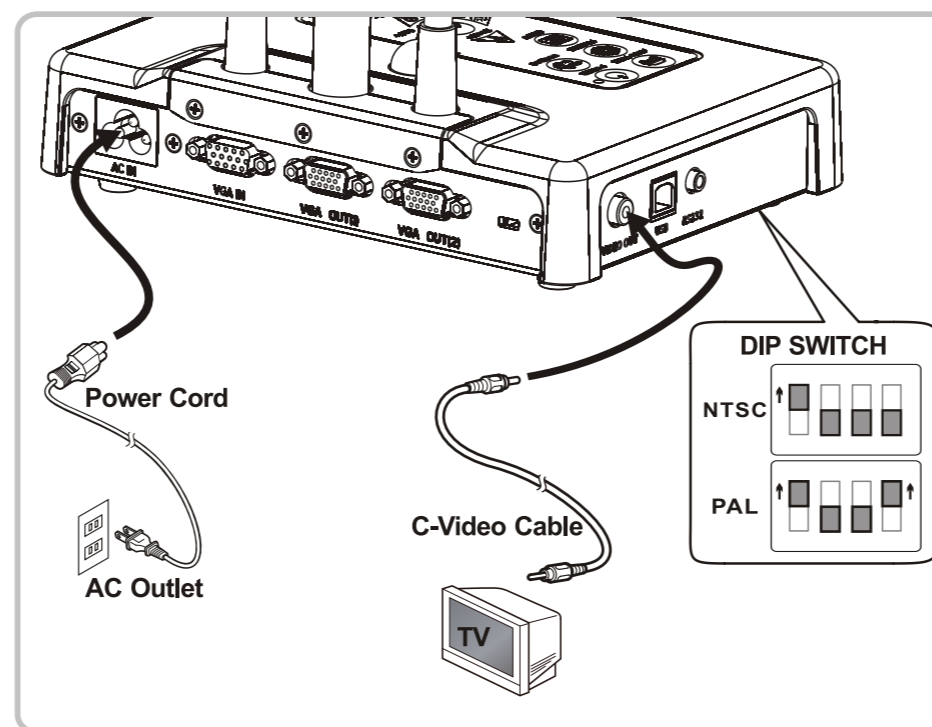


\* Press [ SOURCE ] to change image source from Computer.

▼ Connect to an Interactive Whiteboard (IWB)



▼ Connect to a TV



\* NTSC: USA, CANADA, MEXICO, PANAMA, CHILE, JAPAN, TAIWAN, KOREA AND PHILIPPINES.  
 \* PAL: Country / region not listed above.  
 \* After the unit is re-started, new DIP switch configuration is effective.

▼ Connect to an Computer via RS232

