

Task Light Classics



LIE



LSIA



LCIA



LBIA

The right light

LUXO

CLASSICS

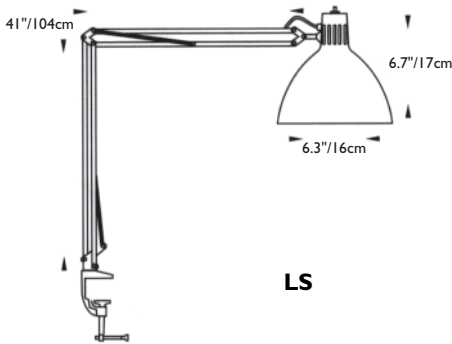
The Classic task lights all combine classic styling with superior arm technology. All series have spun aluminum shades with exterior springs used to balance the task light.

LI - The original adjustable arm task light designed in 1937 is still popular today.

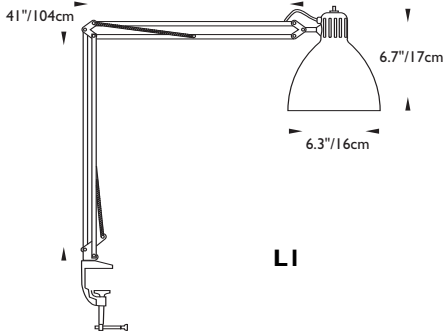
LC Series - One of the most widely used task lights in the world combines an incandescent lamp with a circline fluorescent for a balance of high light output with good color rendition.

LS Series - Luxo's most versatile and best selling task light utilizes an internal reflector to allow for higher wattage lamp usage with minimal heat.

LB Series - A gracefully shaped small head makes this the ideal task light for smaller areas.



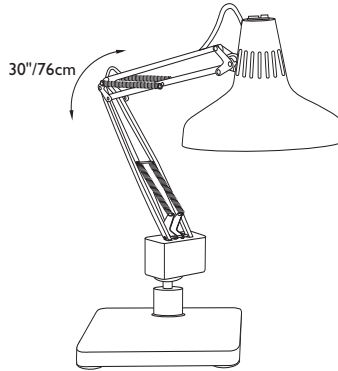
LS



LI

TECHNICAL SPECIFICATIONS

Lamp:	LI: max 60W incandescent
	LC: max 60W incandescent with 22 circline fluorescent
	LS: max 100W incandescent
	LB: max 60W incandescent
Electrical:	All series: wired for 120V, 60Hz operation. UL/CUL listed.
Ballast:	LC: Magnetic ballast Class A sound rated
Power Cord:	All: Minimum 6' long LI: 2 conductor cord All others: 3-conductor cord
Shade:	Heavy-duty spun aluminum
Arm Type:	All: powder-painted metal arm with external springs
Mounting:	A: Edge clamp bracket DB: Adjustable angle drafting board bracket FE: Weighted base for LC2 E: Weighted base for LI and LSI
Finish:	LI: Black (BK), White (WT), Metallic Gray (MG) LS: Chrome (CH), Clear Gloss (CG) All others: Black (BK), White (WT), Light Gray (LG)



LC2FE

PROJECT INFORMATION

Job Name: _____

Location: _____

Fixture Type: _____

ORDERING GUIDE

Model No.	Description
-----------	-------------

LI (add color - BK, WT, MG)

LIA LI with edge clamp

LIE LI with weighted base

LC (add color - BK, WT, LG)

LCIA 45" arm w/edge clamp

LC2A 30" arm w/edge clamp

LC1DB 45" arm w/DB bracket

LC2FE 30" arm w/base

LS (add color - BK, WT, LG, CH, CG)

LSIA 45" arm w/edge clamp

LS2A 30" arm w/edge clamp

LSIE 45" arm w/base

LS2E 30" arm w/base

LB (add color - BK, WT, LG)

LBIA 45" arm w/edge clamp

LB2A 30" arm w/edge clamp

Copyright 2005, Luxo Corporation

Luxo Corporation
 200 Clearbrook Road
 Elmsford, New York 10523
 Phone: 800-222-5896
 Fax: 800-648-2978
 www.luxous.com

Luxo Canada
 1957 rue Le Chatelier
 Laval, Québec H7L 5B3
 Phone: 800-361-3993
 Fax: 800-567-9215
 www.luxo.ca

