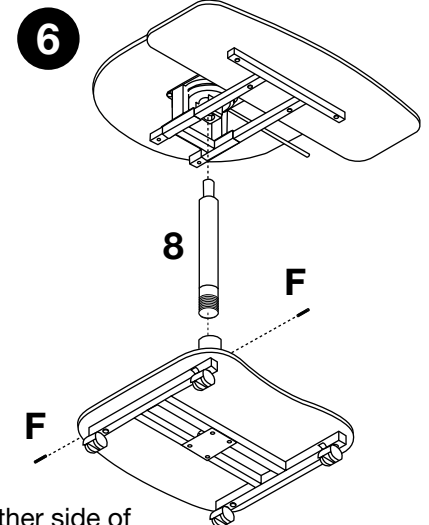
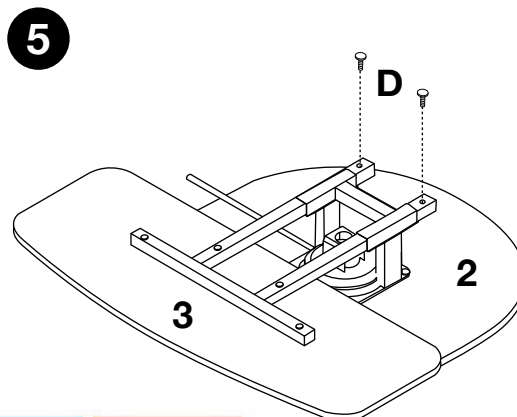
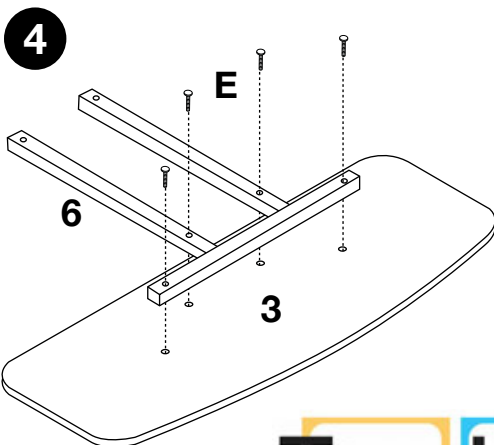
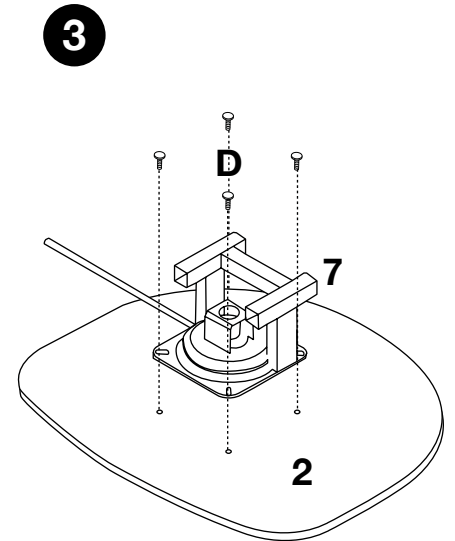
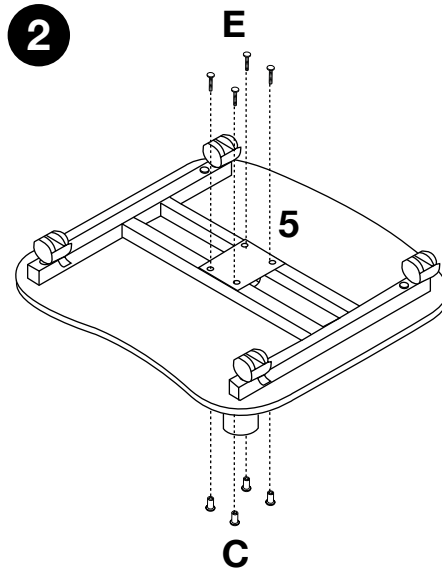
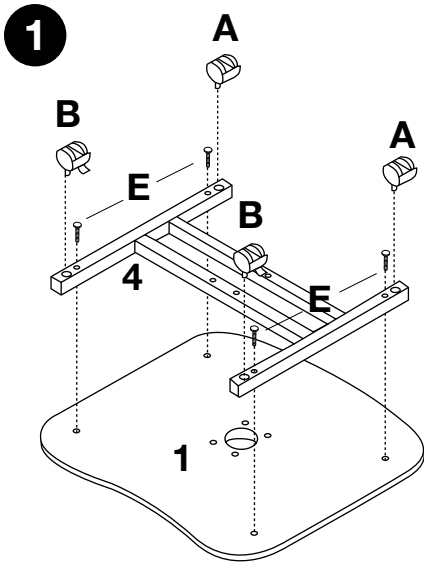
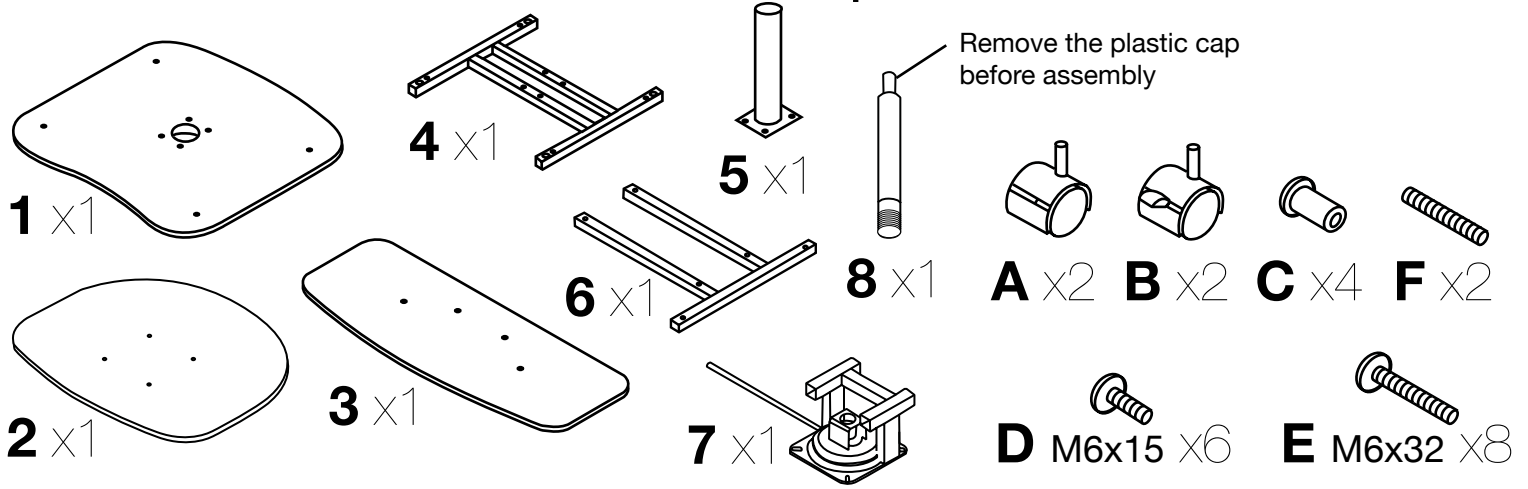


LAMC2936 & LAMC3037 Instructions

Parts List

Tools Required

- Screwdriver



205 Westwood Ave, Long Branch, NJ 07740
 Phone: 866-94 BOARDS (26273) / (732)-222-1511
 Fax: (732)-222-7088 | E-mail: sales@touchboards.com

Insert set screw **F** on either side of pole after top is inserted into base.