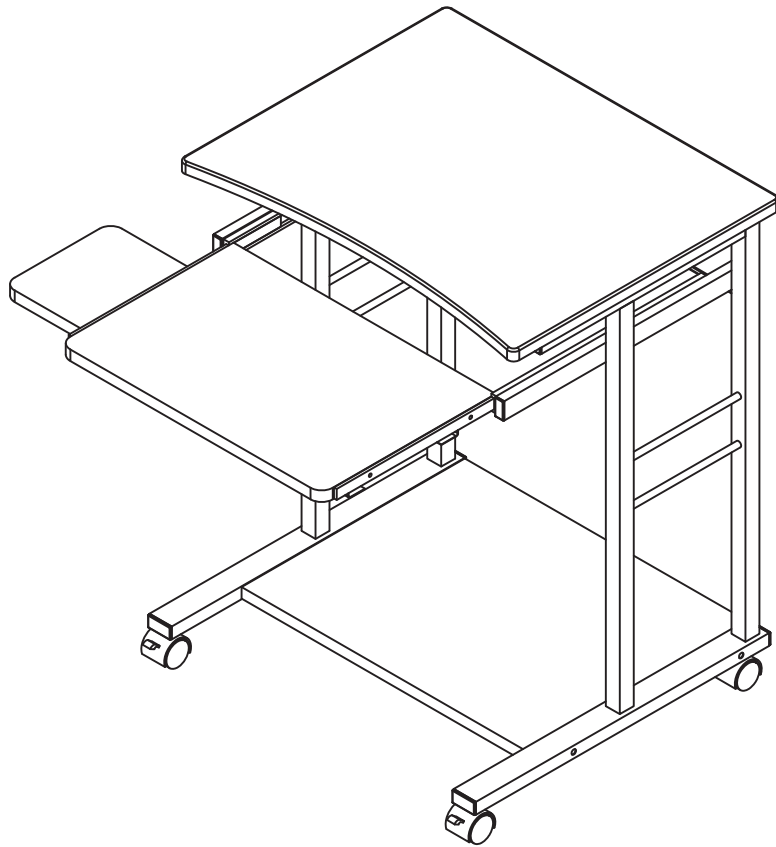
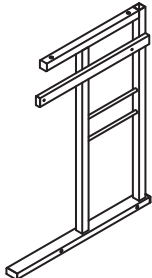
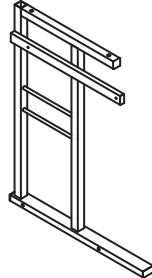
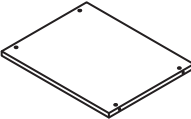
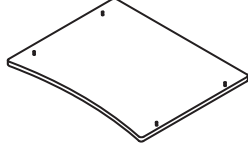
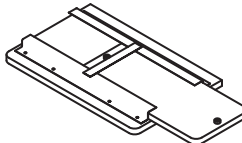
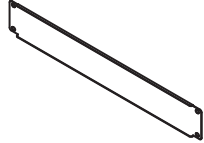
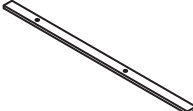
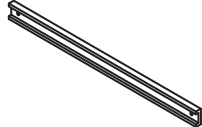



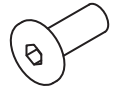
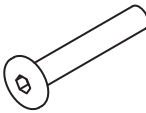
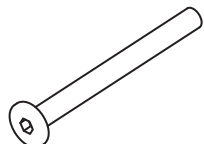
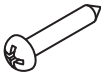
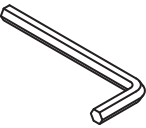


LUXOR | LCT29



- | | | | |
|--|---|--|--|
| 1 1 x Left Side
 | 2 1 x Right Side
 | 3 1 x Bottom
 | 4 1 x Top
 |
| 5 1 x Pull Out Shelf
 | 6 1 x Back Panel
 | 7 2 x Inner Runner
 | 8 2 x Outer Runner
 |
| 9 2 x Caster
 | 10 2 x Caster with Lock
 | 11 4 x Runner Screw
 | 12 4 x Back Panel Screw (Short)
 |
| 13 4 x Top Panel Screw (Medium)
 | 14 4 x Bottom Panel Screw (Long)
 | 15 4 x Pull Out Shelf Tapping Screw
 | 1 x Allan Wrench
 |

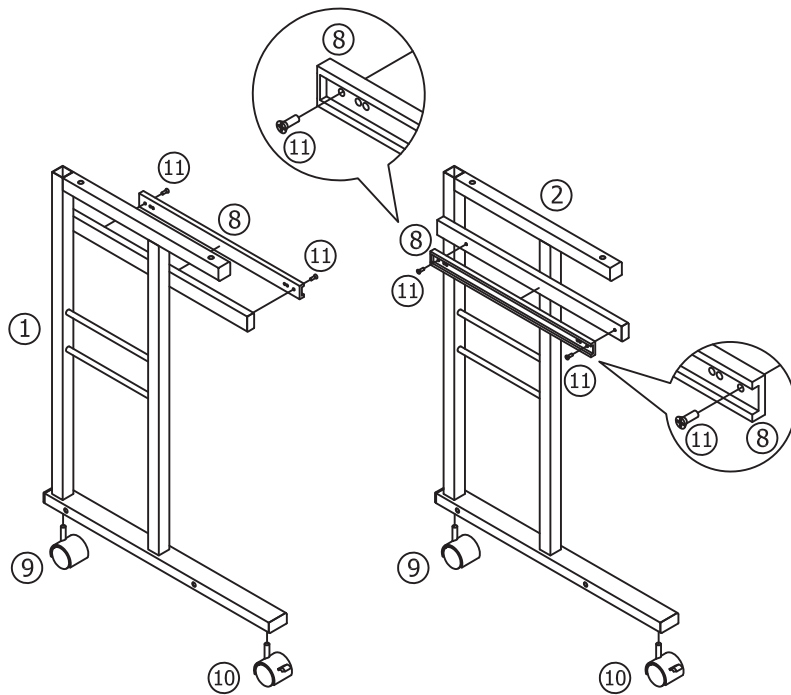
Tool Required (not included) - 1 x Phillips Screw Driver



205 Westwood Ave, Long Branch, NJ 07740
 Phone: 866-94 BOARDS (26273) / (732)-222-1511
 Fax: (732)-222-7088 | E-mail: sales@touchboards.com

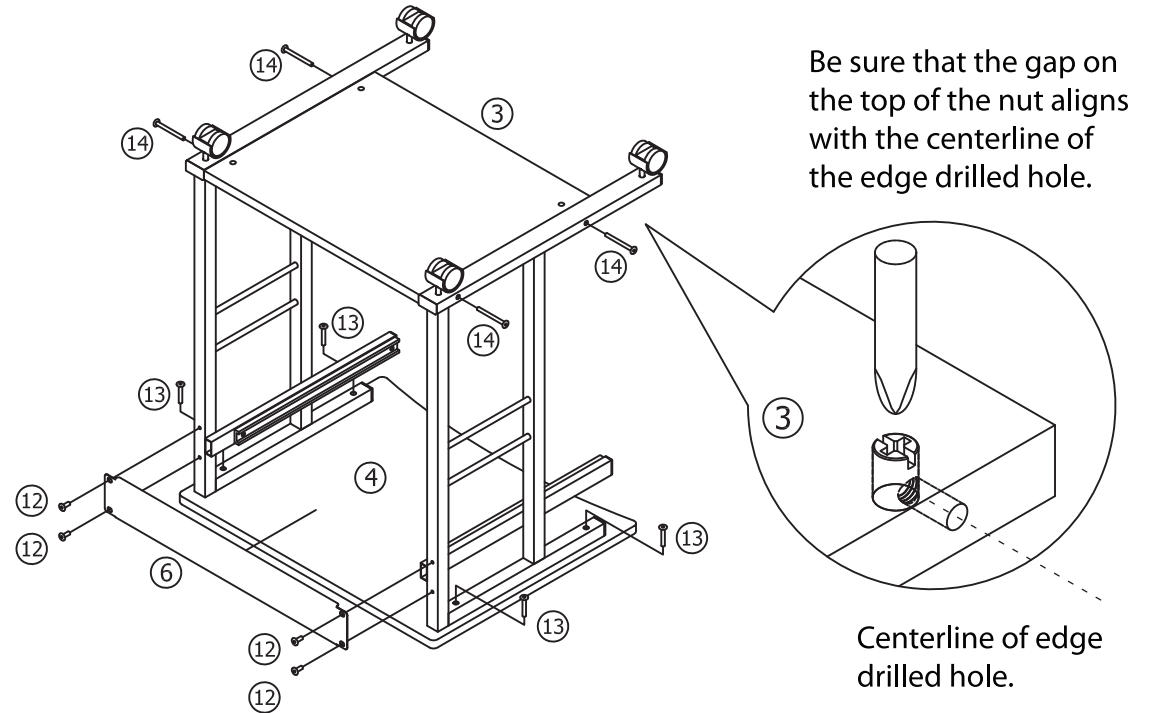
STEP 1

Using a Phillips screw driver (not included), attach the outside runners to the left (1) and right (2) side frames with the 4 runner screws (8). Attach the casters (9) to the back of the frames, and the casters with locks (10) to the front of the frames.



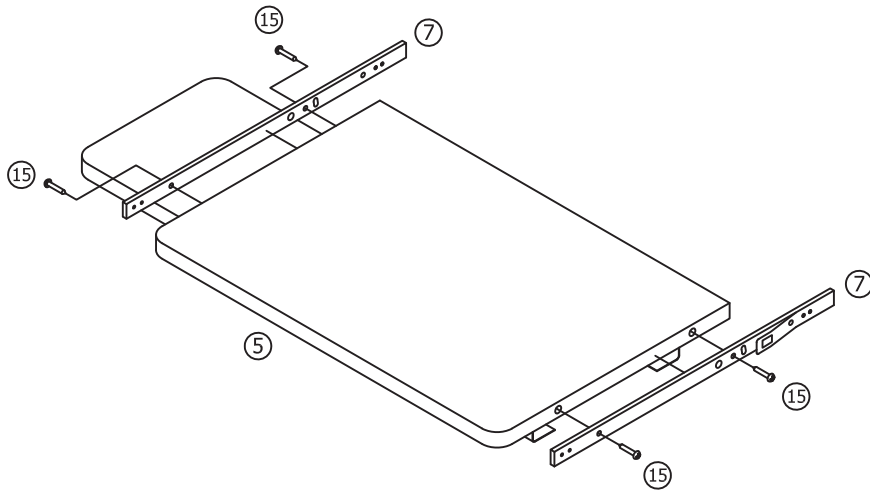
STEP 2

Notes: Use an assistant for this step. Do not tighten the screws until all of the screws are in place. Attach the back panel (6) with the 4 screws (12), using the included Allan wrench. Attach the top (4) with the 4 top screws (13), using the included Allan wrench. Attach the bottom shelf (3) with the 4 bottom screws (14), using the Allan wrench.



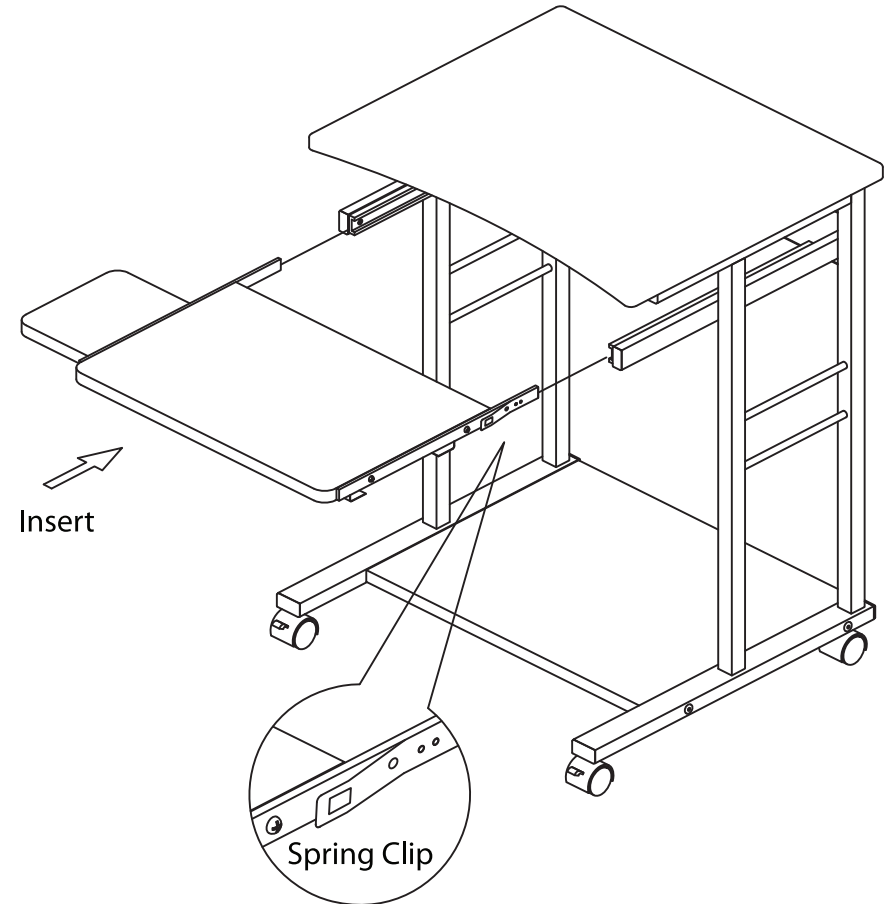
STEP 3

Using a Phillips screw driver (not included), attach the inner runners (7) with the 4 inner runner screws (15) to the pull out shelf (5).



STEP 4

Insert the pull out shelf assembly (5) into the main unit.
You have completed the assembly.



Push the spring clip to release the pull out shelf from the main unit.