

32-1059 REV 0



Series CT cap torque testers present a powerful, yet value priced solution for closure manufacturers, bottlers, food and beverage companies, and others. The tester features a solid aluminum housing and rugged construction for many years of service in laboratory or production environments. Adjustable posts effectively grip a broad range of container shapes and sizes, while a set of optional jaws is available as an alternative gripping method. The CT captures peak torque in both clockwise and counterclockwise directions for application and removal measurements.

Features

Wide sample size range	Portable and flexible for a wide range of applications
Peak memory	For application and removal torque
Selectable units of measurement	Measure in lbFin, kgFmm, or Ncm
Moveable posts	Accommodate a wide range of samples
Push-button	Simple and quick calibration procedure calibration

Optional Equipment

Sample gripping jaws CT001	Set of rubber jaws for gripping square or odd shape containers
Data outputs package CTRS	RS-232 and Mitutoyo (Digimatic) outputs
Output cables	Choice of RS-232 and Mitutoyo data output cables are available



» Moveable posts



» Simple hand operation



» Optional sample gripping jaws

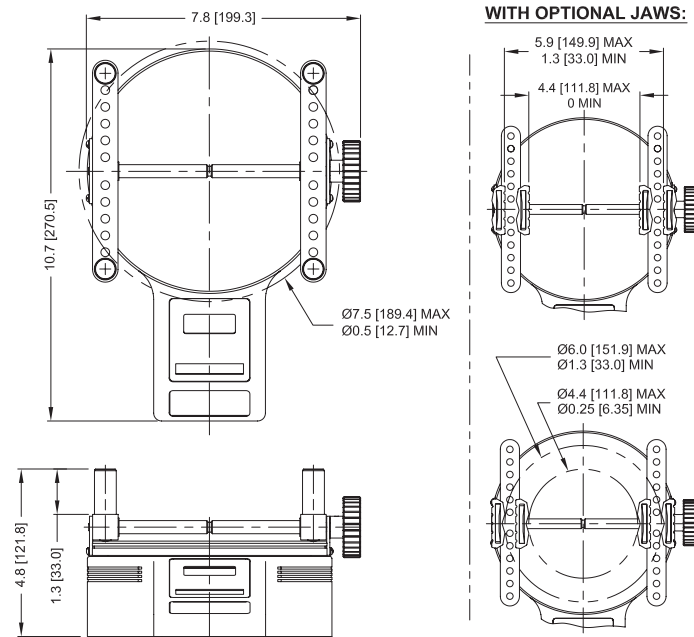


» Optional data outputs package

Specifications

Accuracy:	±0.5% of full scale ±1 digit
Sampling Rate:	30 readings/s
Display Rate:	2.5 updates/s in normal mode / 30 updates/s in peak mode
Power:	AC or non-rechargeable 9V battery, with Intelligent Power Management System (IPM). IPM warns the user via a "LO BAT" indicator and then will power off the gauge.
Battery Life:	30 hours of continuous use
Selectable units of measurement:	lbFin, kgFmm, Ncm
Safe overload:	150% of full scale (display shows "----" at 110% and above)
Weight:	10 lb [4.5 kg]
Environmental Requirements:	40° F - 100°F [5°C - 45°C], <96% humidity (non-condensating)
Thermal effects:	Zero: 0.03% of full scale/°C, Span: 0.01% of full scale/°C
Housing construction:	6061 aluminum
Warranty	3 years (see individual statement for further details)

Dimensions



Ordering Information

Model No.	Capacity x Resolution
CT12	12 x 0.01 lbFin, 140 x 0.1 kgFmm, 135 x 0.1 Ncm, 110V
CT50	50 x 0.05 lbFin, 580 x 0.5 kgFmm, 570 x 0.5 Ncm, 110V
CT100	100 x 0.1 lbFin, 1150 x 1 kgFmm, 1150 x 1 Ncm, 110V
CT001	Sample gripping jaws, pair
CTRS	Outputs package for CT (RS-232 and Mitutoyo outputs)

For 220V operation, add suffix E to model number. Example: CT50E