

32-1053 REV 2

The TSC1000 test stand is ruggedly built for testing up to 1,000 lbF of compression or tension force. A large hand wheel requires little effort, even at high loads, and a precision Acme screw and nut ensures smooth operation over time. The stand includes a loading table with threaded holes for fixture or grip mounting and a solid metal base (TSC1000) contains a storage pocket and holes for bench mounting. Available in vertical and horizontal configurations.

## Specifications

Load capacity:	1000 lb [5000 N]
Maximum travel:	3.50 in [89 mm]
Loading method:	Hand wheel
Travel rate:	0.1 in [2.5 mm] per hand wheel rev.
Weight:	
TSC1000	25 lb [11.4 kg]
TSC1000H	20 lb [9.0 kg]
Included accessories:	Tool kit, medium hook, large hook, 2 in dia. compression plate, 1/2-20F mounting plate, force gauge mounting hardware
Warranty:	3 years (see individual statement for further details)

## Optional Equipment

Digital travel display TSC001	6 in [150 mm] travel, 0.0005 in [0.01 mm] resolution, 0.001 in [0.03 mm] accuracy, SPC output for automated data collection.
Horizontal / wall mounting kit	Converts the TSC1000 to TSC1000H (consists of two legs TSA002 that support the column)
BGI mounting kit AC1004	If a BGI indicator with remote sensor is used with the stand, the BGI can be securely mounted to the side of the column with this adapter



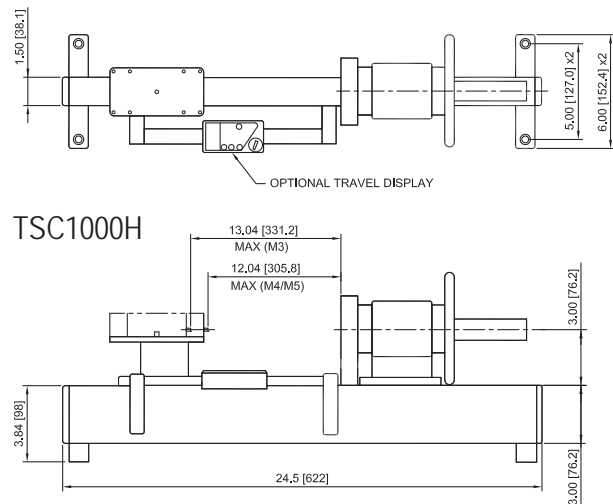
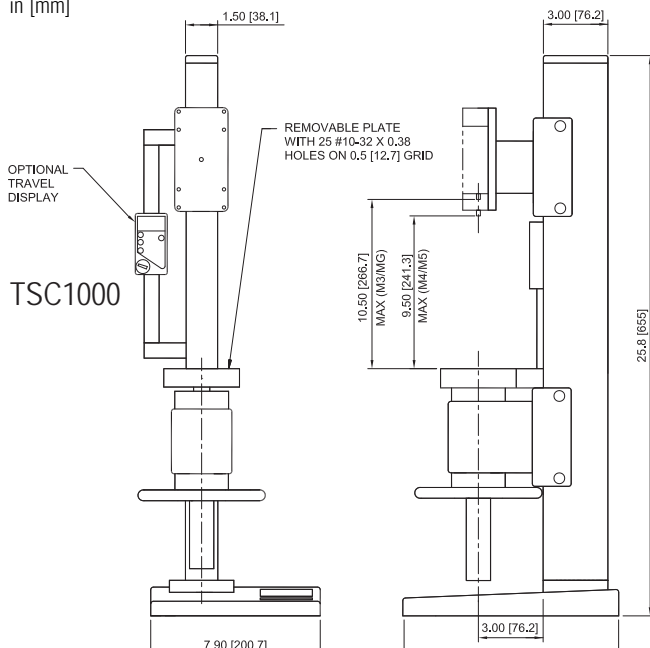
The TSC1000 and TSC1000H are shown in a tension spring testing application, with Series 5 digital force gauge, digital travel display, and hooks

>> Digital travel display



## Dimensions

in [mm]



## Ordering Information

Model No.	Description
TSC1000	Test stand, hand wheel-operated, 1000 lbF, vertical
TSC1000H	Test stand, hand wheel-operated, 1000 lbF, horizontal
TSC001	Digital travel display for TSC/TSCH
TSA002	Horizontal / wall mounting kit for TSC
AC1004	Mounting kit, BGI to test stand



**USA**  
**Equipment**  
**.NET**

205 Westwood Ave  
 Long Branch, NJ 07740  
 1-877-742-TEST (8378)  
 Fax: (732) 222-7088  
 salesteam@Equipment.NET



Specifications subject to change without prior notice