



NK Technologies



205 Westwood Ave
Long Branch, NJ 07740
1-877-742-TEST (8378)
Fax: (732) 222-7088
salesteam@Tequipment.NET



MADE IN USA

AS1 Series Current Operated Switches combine a current transformer, signal conditioner and limit alarm into a single package for use in status monitoring or proof of operation applications. Offering an extended set point range of 1–150A and universal, solid-state outputs, the self-powered AS1 can be tailored to provide accurate and dependable digital indication of over-current conditions across a broad range of applications. Available in solid-core enclosure styles or in a split-core case to maximize ease of installation.

AS1 SERIES Current Operated Switches

Applications

Electronic Proof of Flow

- Current operated switches eliminate the need for multiple pipe or duct penetrations and is more reliable than electromechanical pressure or flow switches.

Conveyors

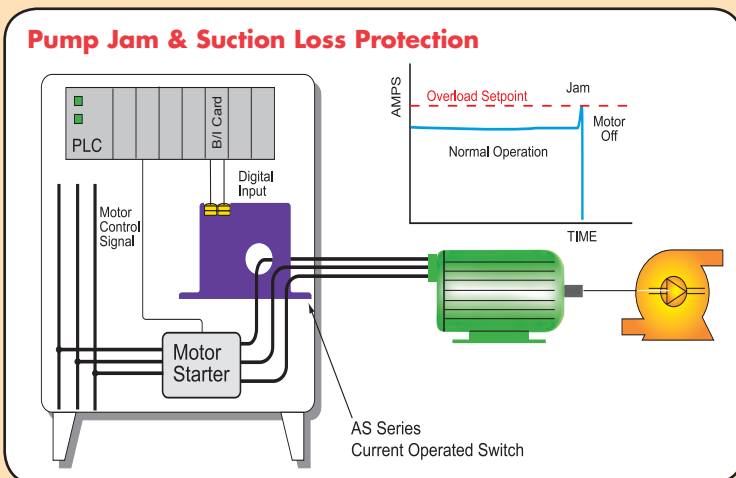
- Detects jams and overloads.
- Interlocks multiple conveyor sections.

Lighting Circuits

- Easier to install and more accurate than photocells.

Electrical Heaters

- Faster response than temperature sensors.



Features

Universal Output

- N.O. or N.C. solid state switch for control circuits up to 240VAC/DC.
- Compatible with most automation systems.

Self-powered

- Cuts installation and operating costs.

Easily Adjustable Setpoint

- Speeds startup.

Solid or Split-core Case

- Versions tailored for each installation.

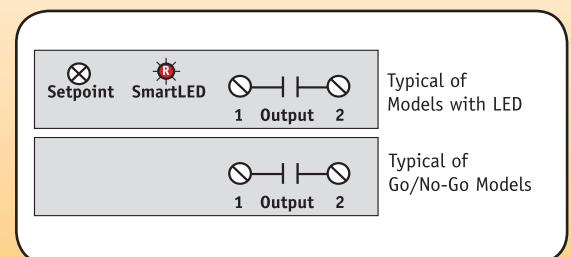
LED Indicator

- Provides quick visual indication of contact status.

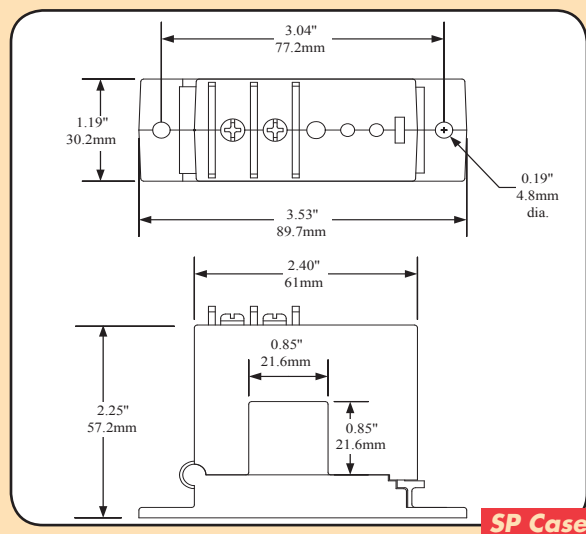
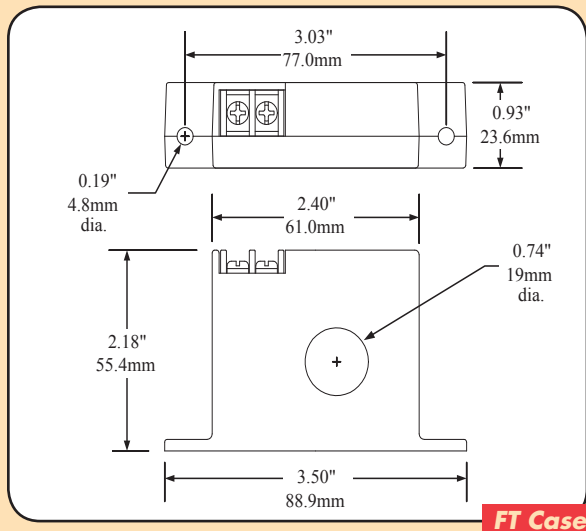
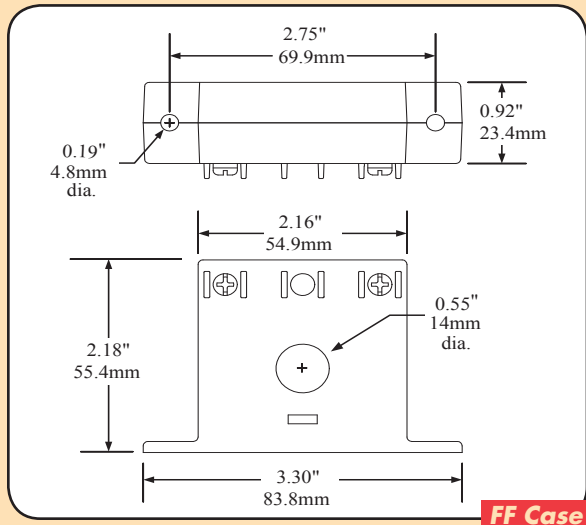
Built-in Mounting Feet

- Simple, two-screw panel mount or attach with optional DIN-rail brackets.

Connections



Dimensions



Specifications

Power Supply	None—Self-powered		
Output	Magnetically Isolated Solid-State Switch		
Output Rating	<ul style="list-style-type: none"> ● N.O. Version: 0.15A @ 240VAC or VDC ● N.C. Version: 0.2A @ 135VAC or VDC ● Not polarity sensitive 		
Off-State Leakage	<10µA		
Response Time	120 ms		
Setpoint Range	<ul style="list-style-type: none"> ● Solid-core: 1–150A ● Split-core: 1.75–150A 		
Hysteresis	5% of Setpoint		
Overload	MODEL	6 SEC	1 SEC
	<ul style="list-style-type: none"> ● -GO(NOU) ● -GO(NCU) ● All other 	<ul style="list-style-type: none"> ● 500A ● 400A ● 400A 	<ul style="list-style-type: none"> ● 1000A ● 1000A ● 1000A
Isolation Voltage	UL Listed to 1270VAC, tested to 5000VAC		
Frequency Range	6–100Hz		
Sensing Aperture	<ul style="list-style-type: none"> ● -FF Case: 0.55" (14mm) dia. ● -FT Case: 0.74" (19mm) dia. ● -SP Case: 0.85" (21.6mm) sq. 		
Case	UL94 V0 Flammability Rated		
Environmental	-58 to 122°F (-50 to 50°C) 0–95% RH, non-condensing		



Ordering Information

Sample Model Number: AS1-NOU-SP

Adjustable AC current operated switch, normally open, split-core.

AS1 - ⁽¹⁾ - ⁽²⁾ - ⁽³⁾

(1) Output Rating

NOU	Normally Open
NCU	Normally Closed

(2) Case Style

FF	Solid-core, Front Term.
FT	Solid-core, Top Term.
SP	Split-core

(3) Options

GO	Go/No-go Version (Fixed Setpoint)
NL	No LED
	With LED (Blank)