



NK Technologies



205 Westwood Ave
Long Branch, NJ 07740
1-877-742-TEST (8378)
Fax: (732) 222-7088
salesteam@Tequipment.NET



MADE IN USA

APN & APO Series Power Transducers feature the patented AutoPhase™ technology, which helps to correct common wiring errors ranging from CT reversal to phase mismatch.

Analog 4–20mA or 0–5/10VDC (proportional to kW) and pulse kWh outputs are available as standard options; Modbus or RS232 outputs are optional in either configuration.

APN & APO SERIES Power Monitors

Applications

Cost Allocation

- Measure and display power, both demand (KW) and consumption (KWH).

Improve Plant Performance

- Measure and correct low power factor.
- Measure and stop erratic machine operation and overheats; extending equipment life.

Machine Control

- KW monitoring provides a good picture of machine tool operation.

Generator Performance

- A cost-effective way to monitor power output from backup generators, ensuring "information age" standard.

Features

Meter Grade Digital Accuracy

- Provides for reliable measurement.

Patented AutoPhase™ Technology

- Senses and automatically corrects for errors in CT orientation or mismatches between voltage inputs and CTs, identifying the reversed CTs and mismatched phases.

Compatible with a Wide Variety of CTs

- APO/APN Series KWH meters accept inputs from traditional existing 5A CTs or from ProteCT™ 0.333V output CTs which improve safety and eliminate the need for costly shorting blocks.

Available in Quick-mount NEMA-rated Enclosures

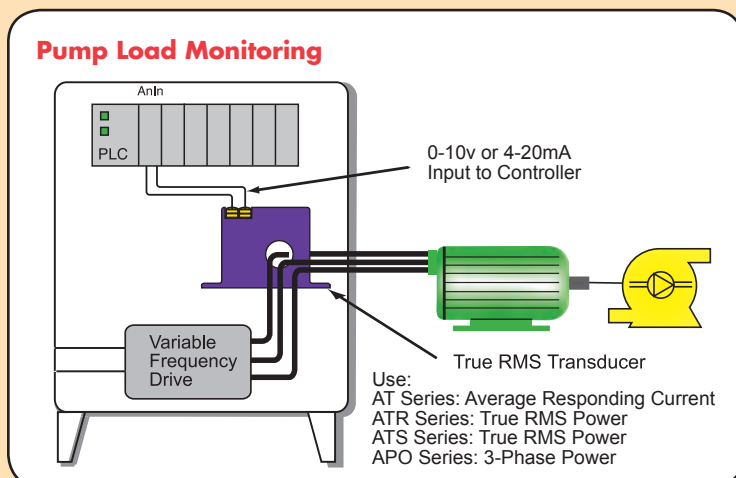
- Installation is simple and efficient.

Networked Options

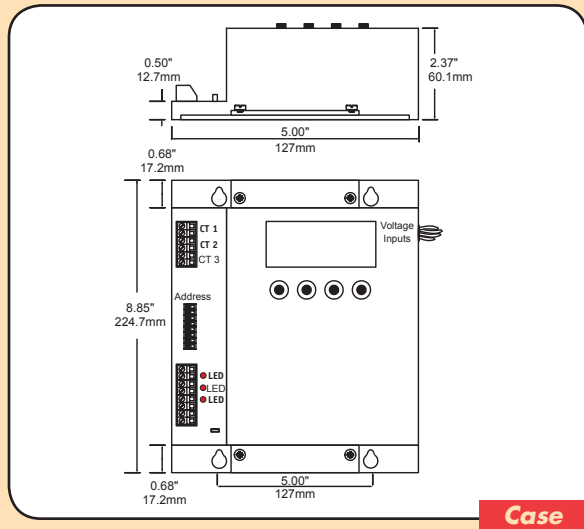
- MODBUS option allows for direct network connection without the need for expensive system interfaces.

Agency Approved.

- UL and CUL listed.

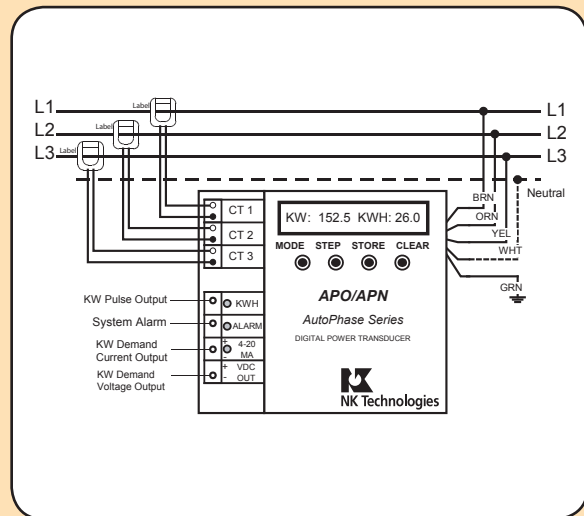


Dimensions



Case

Connections



Specifications

Power Supply	None—Self-powered
Accuracy	0.5% FS, True RMS Power +/- 0.5Hz
Voltage Range	120–600VAC, Auto Range Select, Up to 12KV with optional Potential Transformers
Amperage Range	<ul style="list-style-type: none"> ● 5–1500A with ProteCT™ CTs ● 50–3000A with Current Output (5A) CTs
Isolation Voltage	3700VAC
Built-in Fuse Rating	600VAC, 0.5A (no external fuses required)
LCD Display	Two line, 16 character
Connections	<ul style="list-style-type: none"> ● Voltage 12" leads, #18 AWG, pre-tinned ● Current Input: Captive screw terminal for 14–22 AWG wire ● Outputs: Captive screw terminal for 14–22 AWG wire* or 3-pin connector**
Modbus Set**	RTU Version, RS485 addressable, 9600 Baud; optional RS232
Analog Outputs*	<ul style="list-style-type: none"> ● KW: Choice of two; 4–20mA and 0–5 or 0–10VDC ● Alarm Contact: N.O. solid state contact, 0.1A @ 30VAC/VDC (from 75–95% under voltage) ● KWH: Solid-state contact, 0.1A @ 30VAC/VDC; Range 0.01, 0.1, 1.0 or 10KWH per pulse
Listings	CE, UL Listed (Measuring and Testing Equipment)



Ordering Information

Sample Model Number: APN-MOD-5A-MX-LM
 AC power transducer with Modbus RTU output, module for mounting inside a panel or switchgear with an LCD display.



(1) AP Type

O	Non-networkable Power Transducer
N	Networkable Power Transducer

(2) Output Type

KWKH	KW (4–20mA & 0–10VDC) & KWH Pulse*
MOD	Modbus RTU**
R232	RS232**

*APO type only **APN type only

(3) CT Input

5A	5 Amp CTs (Ratio:5)
PC	ProtectCT low voltage output CTs

(4) Case Style

MX	Module (Aluminum)
MN	Module in NEMA 1 enclosure
M4	Module in NEMA 4 enclosure

(5) Display

LM	LCD on Module
LC	LCD on enclosure (MN case ONLY)
LR	LCD shipped loose, remote mount by others