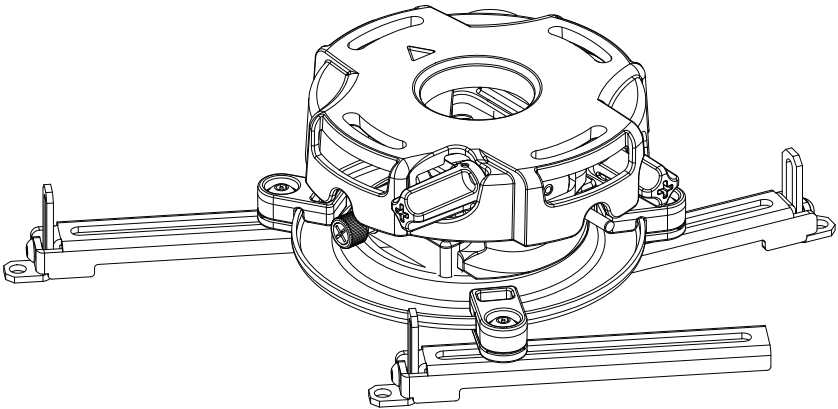


Installation and Assembly: PRG Precision Gear Projector Mount with Universal Adapter Plate

Models: PRG-UNV, PRG-UNV-S, PRG-UNV-W



Features:

- ImageLock™ alignment prevents picture sag or drift
- Exclusive aluminum track quick release



Max UL Load Capacity:
50 lb (22.7 kg)

NOTE: Read entire instruction sheet before you start installation and assembly.

▲ WARNING

- Do not begin to install your Peerless product until you have read and understood the instructions and warnings contained in this Installation Sheet. If you have any questions regarding any of the instructions or warnings, for US customers please call Peerless customer care at 1-800-865-2112, for all international customers, please contact your local distributor.
- This product should only be installed by someone of good mechanical aptitude, has experience with basic building construction, and fully understands these instructions.
- Make sure that the supporting surface will safely support the combined load of the equipment and all attached hardware and components.
- Never exceed the Maximum UL Load Capacity. See page one.
- If mounting to wood joists ceilings, make sure that mounting screws are anchored into the center of the studs. Use of an "edge to edge" stud finder is highly recommended.
- Always use an assistant or mechanical lifting equipment to safely lift and position equipment.
- Tighten screws firmly, but do not overtighten. Overtightening can damage the items, greatly reducing their holding power.
- This product is intended for indoor use only. Use of this product outdoors could lead to product failure and personal injury.
- This product was designed to be installed on the following wall construction only;

WALL CONSTRUCTION

- Wood Stud
- Wood Joist
- Solid Concrete
- Brick
- Other or unsure?

HARDWARE REQUIRED

- Included
- Included
- Included
- Contact Qualified Professional (Not Evaluated By UL)
- Contact Qualified Professional

Tools Needed for Assembly

- stud finder ("edge to edge" stud finder is recommended)
- phillips screwdriver
- drill
- 5/16" bit for solid concrete surface
- 5/32" bit for wood studs
- open end wrench
- level

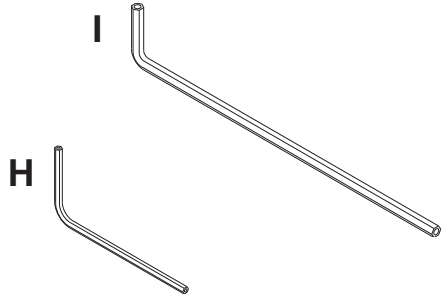
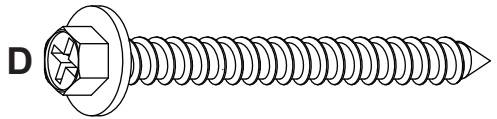
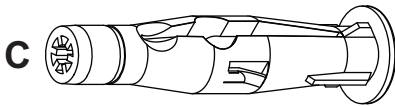
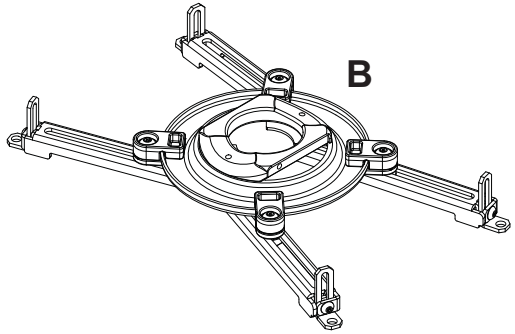
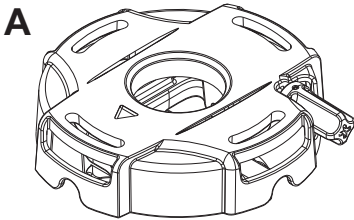
Table of Contents

Parts List.....	3
Projector Mount Assembly Installation.....	4-7
Attaching Adapter Plate to Projector.....	9
Accessories	15, 16

Before you start check the parts list to insure all of the parts shown are included.

Parts List		PRG-UNV	PRG-UNV-S	PRG-UNV-W
Description	Qty.	Part #	Part #	Part #
A projector mount assembly	1	054-1171	054-4171	054-2171
B adapter plate	1	055-1938	055-4938	055-2838
C concrete anchor	2	590-0320	590-0320	590-0320
D #14 x 2-1/2" phillips hex head wood screw	2	5S1-015-C03	5S1-015-C04	5S1-015-C04
E #10-32 x 1/4" socket pin screw	1	520-1196	520-2196	520-2196
F 1/4" flat washer	2	540-1078	540-1078	540-1078
G #6 flat washer x 1/2" OD	4	540-1025	540-2025	540-2025
H 2 mm security allen wrench	2	560-1097	560-1097	560-1097 </td
I 4 mm security allen wrench	1	560-9646	560-9646	560-9646
J M3 x 8 mm serrated washer head socket pin screw	4	510-1004	510-2004	510-2004
K M4 x 10 mm serrated washer head socket pin screw	4	510-1060	510-2060	510-2060
L M5 x 10 mm serrated washer head socket pin screw	4	510-1126	510-2063	510-2063
M M6 x 10 mm serrated washer head socket pin screw	4	510-1066	510-2066	510-2066

NOTE: Actual parts may appear slightly different than illustrated.



Installation to Extension Column/Ceiling Plate

1 **NOTE:** Refer to accompanying instructions with ceiling plates (sold separately) for installing these models to ceiling.

Screw projector mount assembly (A) onto extension column as shown in **figure 1.1**.

Tighten swivel stop screw against extension column, flush mount tube or reducer using 4mm security allen wrench (I) as shown in **figure 1.2**.

NOTE: Swivel stop screw is used to jam against threads of extension column, flush mount tube or reducer to prevent any excess movement of projector mount assembly (A). Do not overtighten screw; overtightening screw will damage threads making it difficult to separate products.

Skip to step 5.

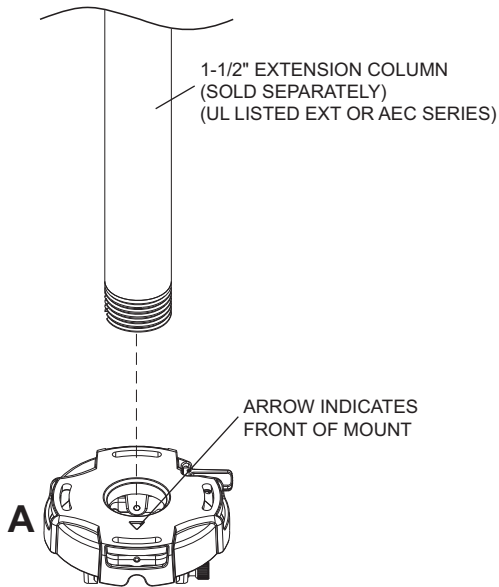


fig. 1.1

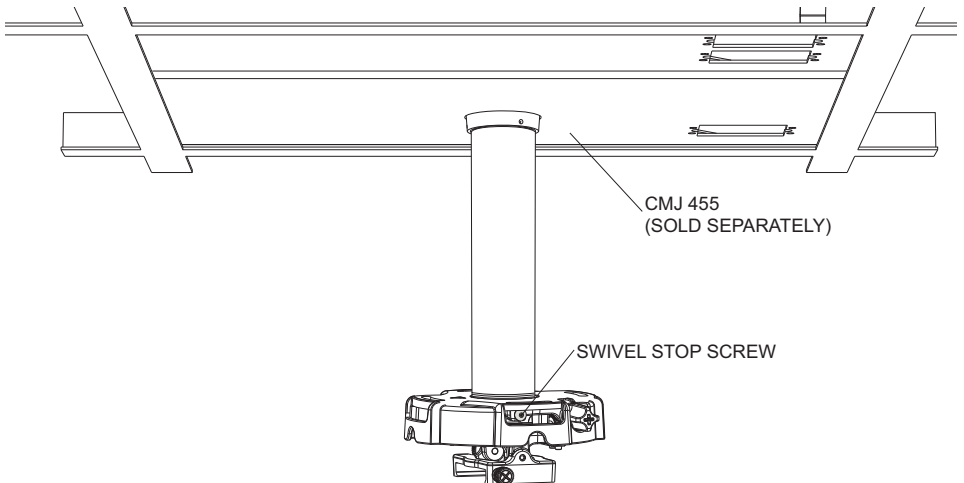


fig. 1.2

Installation to Wood Joist Ceilings

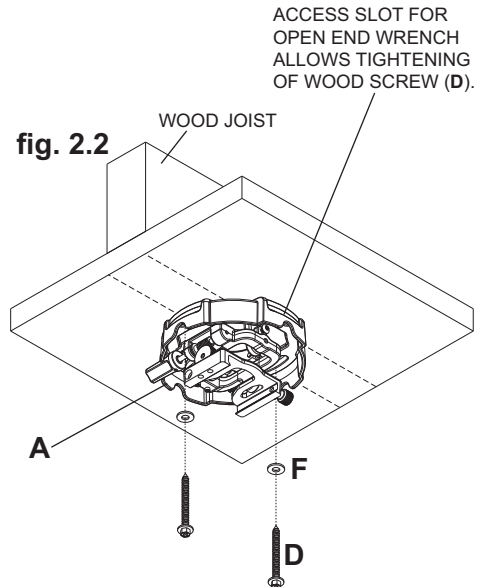
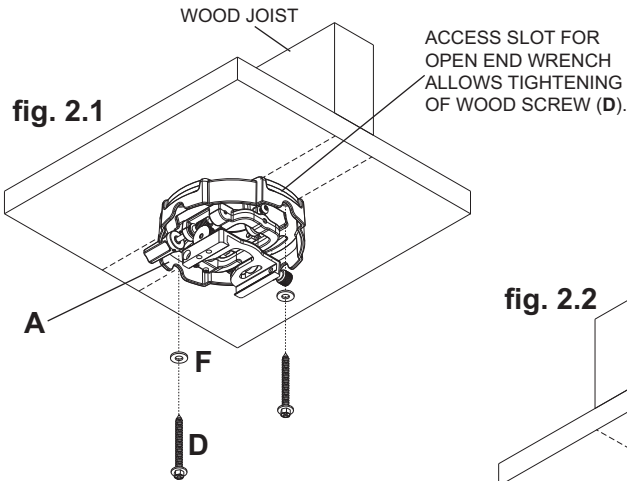
⚠ WARNING

- Installer must verify that the supporting surface will safely support the combined load of the equipment and all attached hardware and components.
- Tighten wood screws so that wall plate is firmly attached, but do not overtighten. Overtightening can damage the screws, greatly reducing their holding power.
- Never tighten in excess of 80 in. • lb (9 N.M.).
- Make sure that mounting screws are anchored into the center of the stud. The use of an "edge to edge" stud finder is highly recommended.
- Hardware provided is for attachment of mount through standard thickness drywall or plaster into wood studs. Installers are responsible to provide hardware for other types of mounting situations (not evaluated ny UL).

- 2** Place projector mount assembly (A) on ceiling as a template and mark the center of the two mounting holes. Make sure that the mounting holes are in the center of the wood joist. Drill two 5/32" (4mm) dia. holes to a minimum depth of 2-1/2" (64mm). Attach projector mount assembly (A) with two #14 x 2-1/2" (6mm x 64mm) wood screws (D) and two flat washers (F) as shown in figure 2.1 or figure 2.2 depending on joist orientation.

Tighten wood screws (D) using 3/8" (10mm) socket wrench or phillips screwdriver until projector mount assembly (A) is firmly attached.

Skip to step 5.



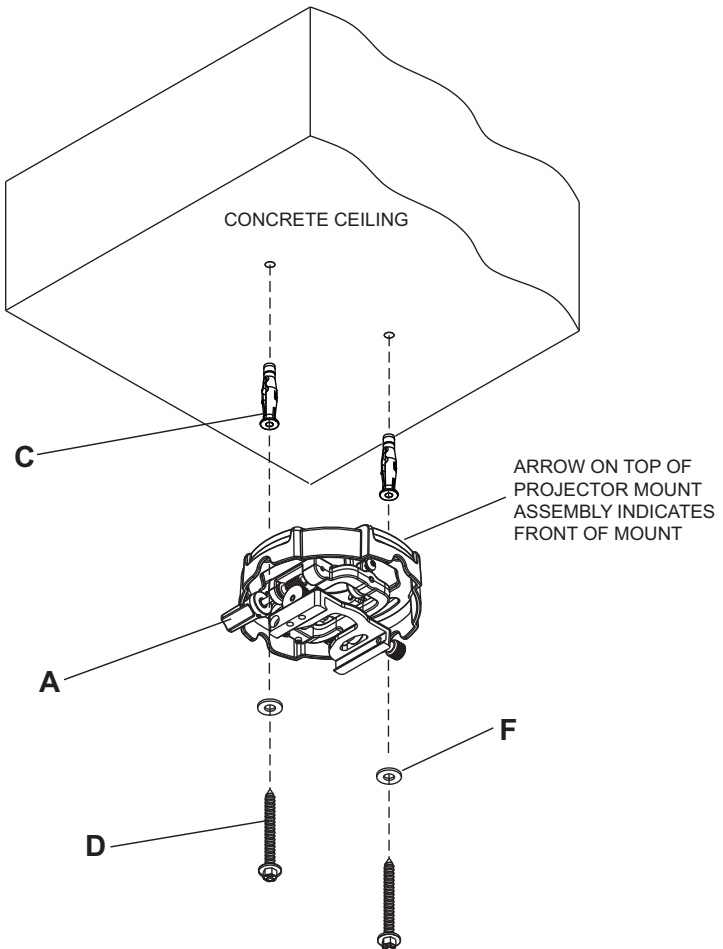
Installation to Concrete Ceilings

▲ WARNING

- Concrete must be 2000 psi density minimum. Lighter density concrete may not hold concrete anchor.
- Make sure that the wall will safely support four times the combined load of the equipment and all attached hardware and components.

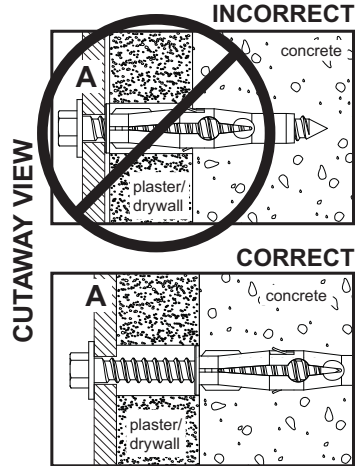
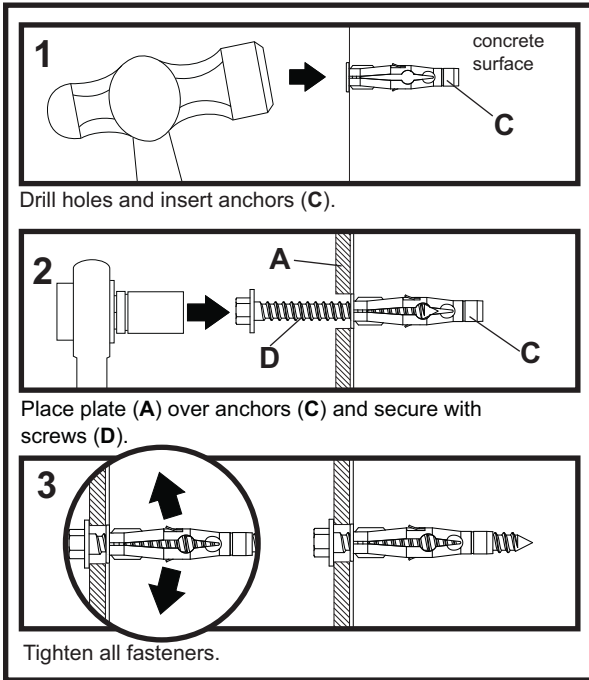
- 3** Place projector mount assembly (A) on ceiling as a template and mark the center of the two mounting holes. Drill two 5/16" (8mm) dia. holes to a minimum depth of 2-1/2" (64mm). Attach projector mount assembly (A) using two concrete anchors (C), two flat washers (F), and two #14 x 2-1/2" wood screws (D) as shown. **NOTE:** Mounting slots on projector mount assembly allow for 30° (±15°) of rotation before fully securing wood screw. Tighten wood screws (D) using 3/8" (10mm) socket wrench, phillips screwdriver or 10mm open end wrench until projector mount assembly (A) is firmly attached.

Skip to step 5.



▲ WARNING

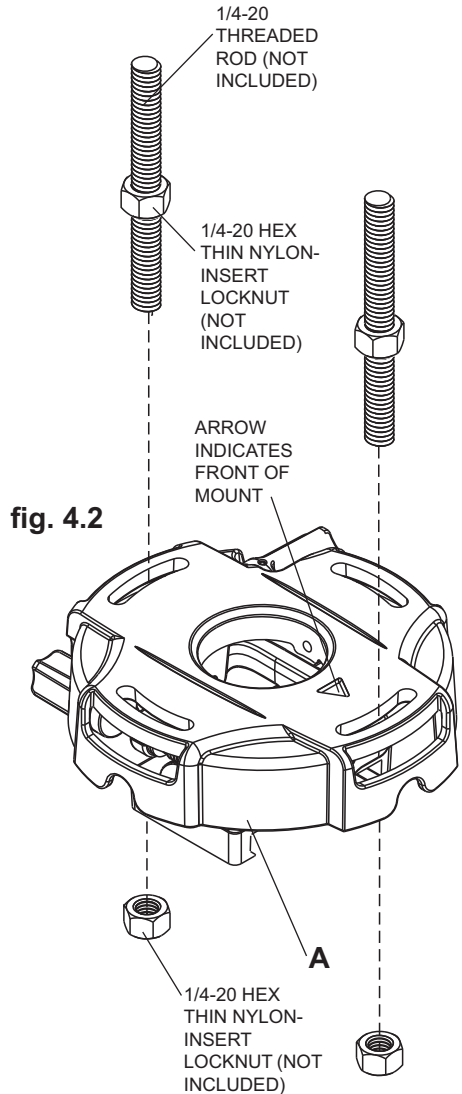
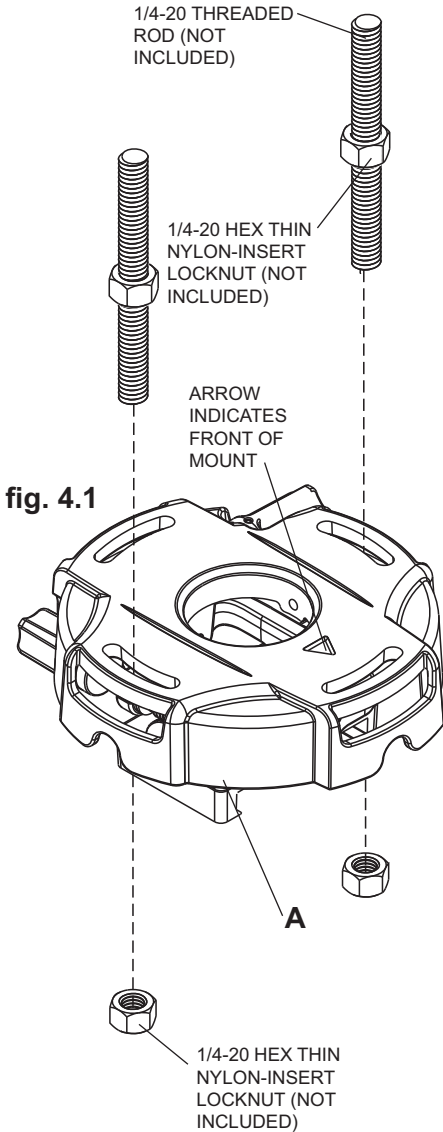
- Always attach concrete expansion anchors directly to load-bearing concrete.
- Never attach concrete expansion anchors to concrete covered with plaster, drywall, or other finishing material. If mounting to concrete surfaces covered with a finishing surface is unavoidable (not evaluated by UL), the finishing surface must be counterbored as shown below. Be sure concrete anchors do not pull away from concrete when tightening screws. If plaster/drywall is thicker than 5/8" (16mm), custom fasteners must be supplied by installer (not evaluated by UL).
- Tighten screws so that projector mount is firmly attached, but do not overtighten. Overtightening can damage screws, greatly reducing their holding power.
- Never tighten in excess of 80 in. • lb (9 N.M.).



Installation to Threaded Rod

(Not evaluated by UL - Professional installation only)

- 4** Thread two 1/4-20 hex thin nylon-insert locknuts (not included) on two 1/4-20 threaded rods (not included) to the desired height of projector mount assembly. Attach projector mount assembly (**A**) to the two 1/4-20 threaded rods using two 1/4-20 hex thin nylon-insert locknuts as shown in figure 4.1 or figure 4.2.



Attaching Adapter Plate to Projector

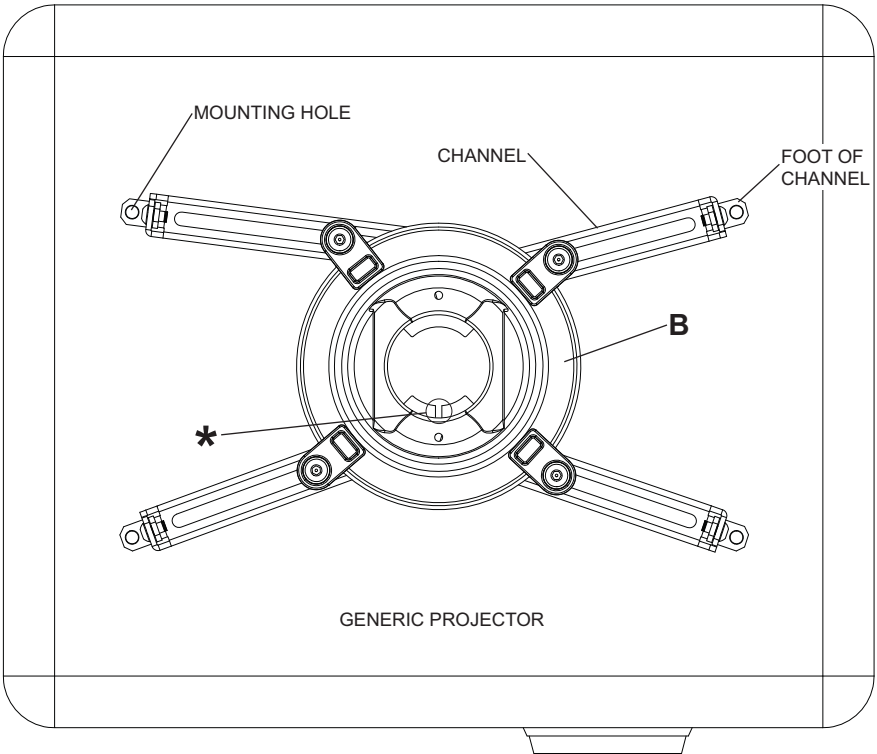
5 **NOTE:** The projector you are installing may differ in appearance from the sample illustrated below.

Place projector upside down. Locate adapter plate (**B**) with notch facing forward as close to projector center of gravity as possible without covering any mounting holes. Loosen channels with 4mm security allen wrench (**I**), and **if there are only three mounting holes remove fourth channel**. Using one channel for each mounting hole, position feet of channels over mounting holes as shown below. **IMPORTANT:** If projector does not have at least three mounting holes, do not use this adapter plate.

NOTE: Some projectors have feet which can be removed and the corresponding threaded insert can be used for a mounting hole.

NOTE: Once channels are in position retighten fasteners.

*Notch indicates front of projector.



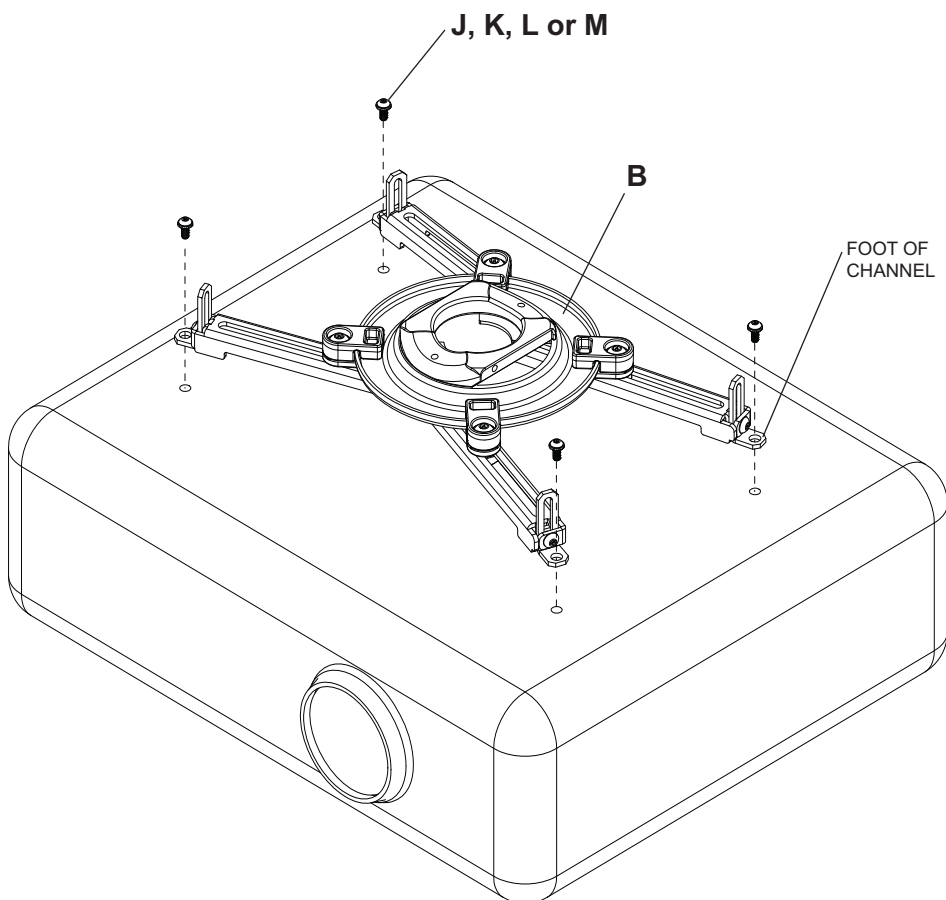
- 6** Attach adapter plate (**B**) to projector using one screw (**J, K, L or M**) for each channel as shown below. Tighten all screws, while keeping the center of gravity. Be sure that adapter plate (**B**) is straight. Adjust the feet of the channels to keep the adapter plate level. Tighten all screws with 4mm security allen wrench (**I**) while keeping the center of gravity. If M3 screws (**J**) are used, tighten using 2mm security allen wrench (**H**).

NOTE: Projectors will require different size screws for mounting. Use a combination of screws (**J, K, L or M**) and foot adjustment that will result in channels of adapter plate (**B**) fitting tightly against projector. **IMPORTANT:** In order to properly engage the threads in the mounting holes, the screw must be turned at least 3 full turns.

NOTE: If using screw (**J**), place washer (**G**) between screw (**J**) and foot of channel.

CAUTION

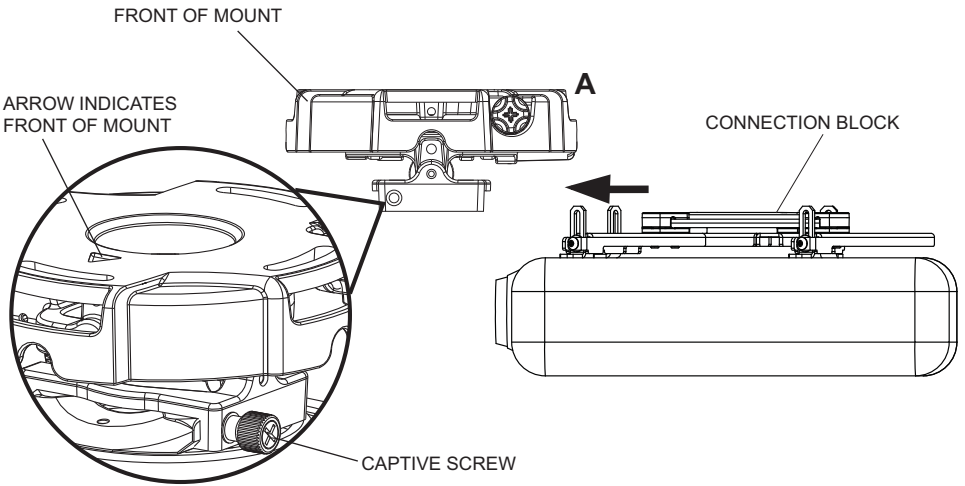
- It is the responsibility of the installer to ensure that the projector is properly ventilated. Feet of channels are used to raise the mount off the projector surface.



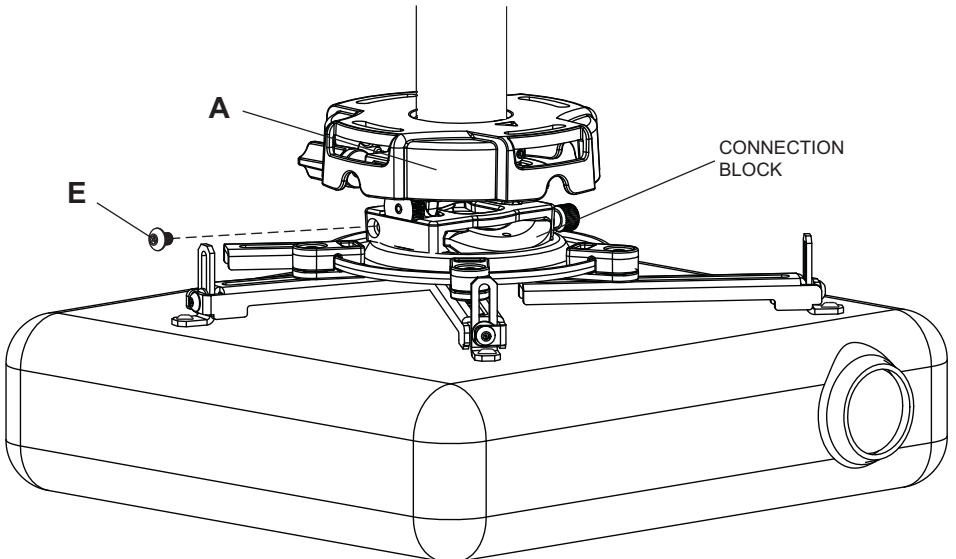
▲ WARNING

- Always use an assistant or mechanical lifting equipment to safely lift and position the projector.

- 7** Slide connection block with projector into projector mount assembly (A) as shown. Push in and tighten captive screw to secure projector to projector mount assembly (A).



- 8 IMPORTANT:** For security installations, insert one #10-32 x 1/4" socket pin screw (E) through projector mount assembly (A) and into connection block as shown. Tighten screw with 4mm security allen wrench (I).



Cable Management

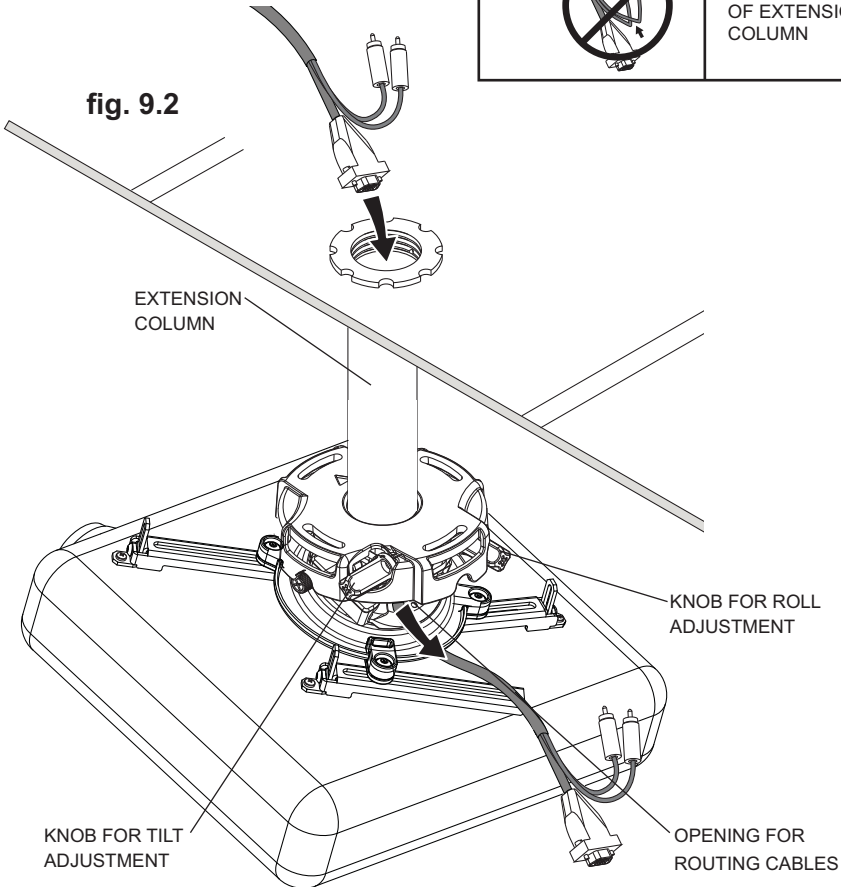
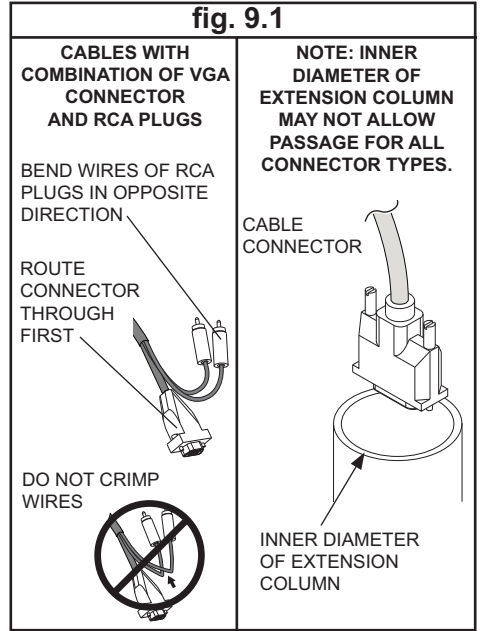
9 To make an opening to route cables through projector mount assembly, adjust projector mount assembly to full upward tilt position by turning knob for tilt adjustment as shown in figure 9.2. Left or right roll position can be adjusted if more space is required.

NOTE: Be certain tamper resistant screws are not engaged before making adjustments (see step 11).

Route cables through top of extension column as shown in figure 9.1 and figure 9.2.

NOTE: A method for assisting cables through extension column may be required (example: string tied to connector to help pull through extension column).

Route cables through projector mount assembly as shown in figure 9.2 and connect to projector.



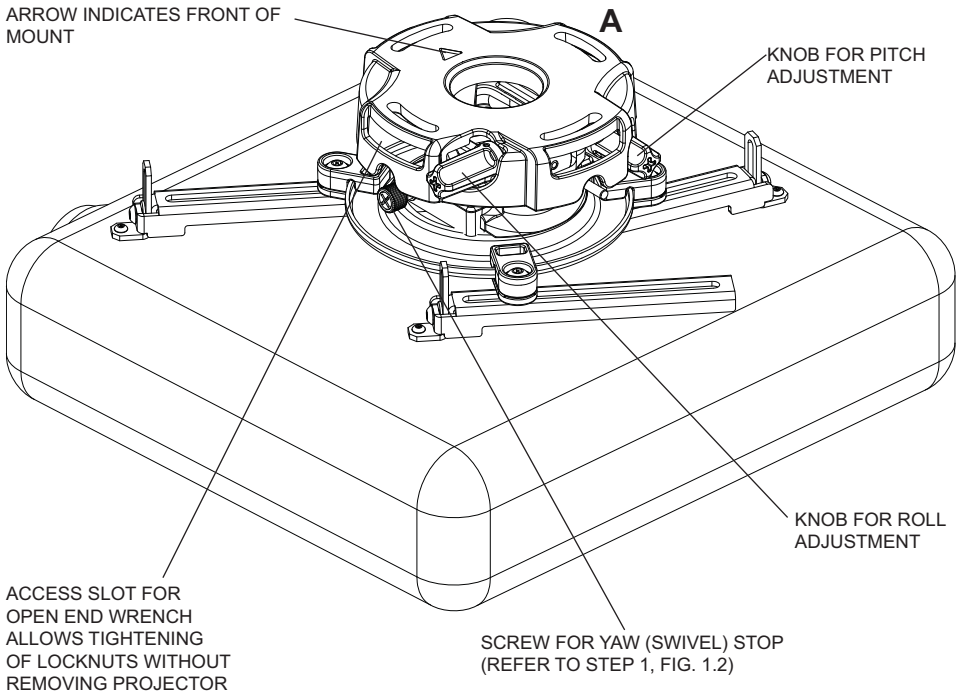
Projector Alignment

10 **To adjust yaw (swivel) for threaded rod mounting applications:** Loosen locknuts for threaded rods (step 4) until projector mount can be rotated. Rotate mount to desired position and retighten locknuts.

To adjust yaw (swivel) for extension column applications: Loosen screw on projector mount assembly (A) indicated below until projector mount can be rotated. Rotate mount to desired position and retighten screw.

To adjust pitch (forward and backward tilt): Turn knob on back of mount as shown below. Pull knob out and turn by hand for easy adjustment or insert #2 phillips screwdriver in end of knob and turn.

To adjust roll (side to side tilt): Turn knob on side of mount as shown below. Pull knob out and turn by hand for easy adjustment or insert #2 phillips screwdriver in end of knob and turn.

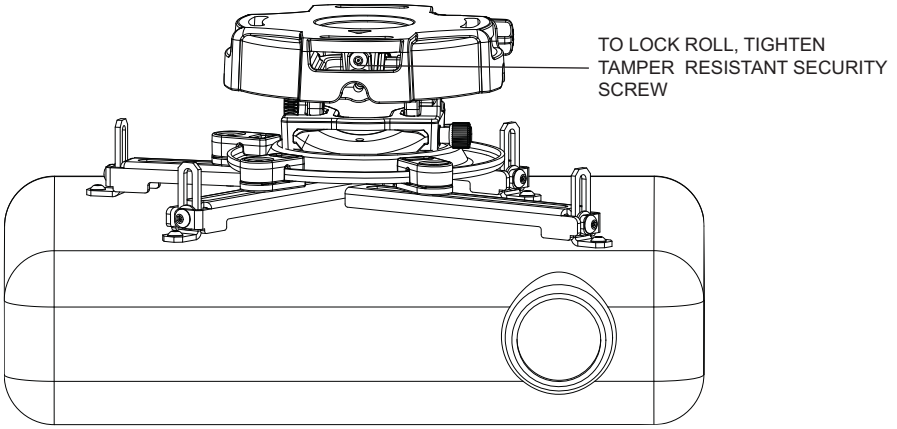


- 11 To prevent tampering with the pitch and roll adjustments:** Tighten the two tamper resistant security screws on the projector mount assembly using 4mm security allen wrench (I) to lock the pitch and roll adjustments as shown below.

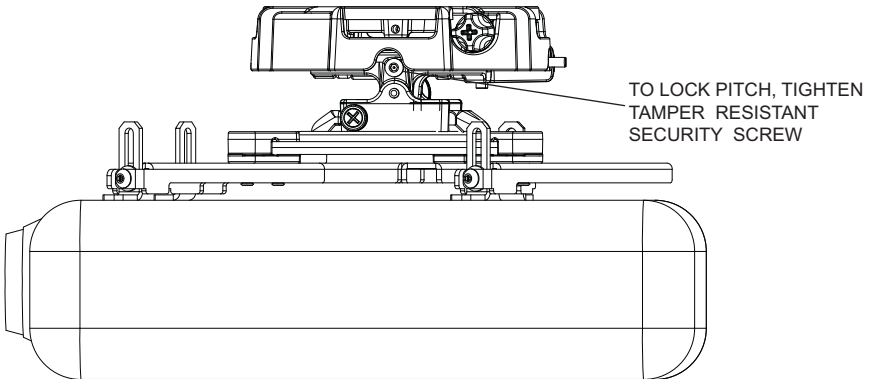
NOTE: Tighten screws firmly, but do not overtighten. Overtightening can damage the mount.

▲ WARNING

- Do not adjust pitch or roll while tamper resistant security screws are fully engaged.
- Loosen the two tamper resistant security screws one complete turn before adjusting the projector mount assembly or damage may occur.



FRONT VIEW



SIDE VIEW

PRG Series Projector Mount Accessories

Ceiling Plates

Truss Ceiling Adapter

MODEL: ACC 557*

MAX LOAD: 250 lbs. (113.4 kg.)

COLOR: Black

- Attaches to a square, round, rectangular, or I-Beam truss up to 3" in diameter



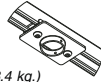
Unistrut® Adapter

MODEL: ACC 550

MAX LOAD: 250 lbs. (113.4 kg.)

COLOR: Black

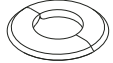
- Designed for use with 1 5/8" x 1 5/8" 12 gauge Unistrut



Escutcheon Ring

MODEL: ACC 640

- Covers hole where extension column passes through ceiling
- Hinged ring wraps around extension column
- Included with CMJ 500



New!

Lightweight Cathedral Ceiling Plate

MODEL: ACC 912*

MAX LOAD: 60 lbs. (27.2 kg.)

COLOR: Black

- Designed specifically for projectors
- Allows a projector to be mounted on an angled ceiling



New!

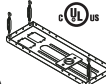
Lightweight Adjustable Suspended Ceiling Kit

MODEL: CMJ 500

MAX LOAD: 60 lbs. (27.2 kg.)

COLOR: White

- Mounts above 2' x 4' or 2' x 2' false ceiling tile
- Includes tie wire supports, flush mount tube, and offers two knockout panels for outlet boxes
- Offers unlimited adjustment for projector placement



Round Ceiling Plate

MODEL: ACC570(S)(W)

COLOR: Black, silver or white

MAX LOAD: 150 lb (68 kg)

SHIP WEIGHT: 1.7 lb (.8 kg)

- Designed for finished or structural ceilings (wood or concrete)
- Features a cord management



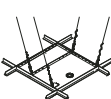
Lightweight Suspended Ceiling Kit

MODEL: CMJ 455

MAX LOAD: 50 lbs. (22.7 kg.)

COLOR: White

- Five different projector mount attachment points
- Includes tie wire supports, flush mount tube, and offers two knockout panels for outlet boxes
- May either **replace** a 2' x 2' false ceiling tile or mount **above** an existing 2' x 2' or 2' x 4' ceiling tile



Unistrut or Structural Ceiling Plates

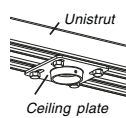
MODELS:

CMJ 300*, CMJ 310*

MAX LOAD: 250 lbs. (113.4 kg.)

COLOR: Black

- CMJ 300 is a 4" x 4" ceiling plate
- CMJ 310 is a 8" x 8" ceiling plate
- Designed for a Unistrut ceiling (1 5/8" x 1 5/8" 12 gauge Unistrut) or a solid structural ceiling (mounting hardware not included)



Unistrut

Ceiling plate

Anti-Vibration Ceiling Plates

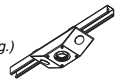
MODELS:

ACC 840*, ACC 845*

MAX LOAD: 60 lbs. (27.2 kg.)

COLOR: Black

- ACC 840 was designed for a structural ceiling (wood only)
- ACC 845 was designed for a Unistrut ceiling (1 5/8" x 1 5/8" 12 gauge Unistrut)
- Reduces unwanted vibrations that may cause internal damage to the equipment and/or cause the screen image to vibrate
- Features two cord management access holes
- Patent pending



I-Beam Clamps

MODELS:

ACC 558, ACC 559

MAX LOAD: 250 lbs. (113.4 kg.)

COLOR: Black

- ACC 558 clamps onto 4"-8" I-Beam
- ACC 559 clamps onto 7"-12" I-Beam



Accessory Pack for CMJ 455

MODEL: ACC 455*

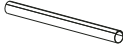
This pack includes 4 hanger brackets and 4 hanger clamps for additional stability. For use with model CMJ 455.

* = Not UL Listed

PRG Series Projector Mount Accessories

Cord Wrap

MODELS: ACC 852(W)(S)*
 COLOR: Black, White, or Silver



- Includes, four, 2' sections
- Designed to externally route cords along the outside of an 1/2" extension column
- Sections can be stacked to create longer lengths or cut to desired length

Cord Management

Fixed Length 1 1/2" Extension Columns

COLOR: Black

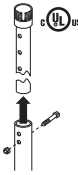
MODEL	Drop Length	Ship Weight
EXT 006	8" (20 cm)	2.5 lbs (1.13 kg)
EXT 018	20" (51 cm)	5 lbs (2.27 kg)
EXT 101	14" (36 cm)	3.5 lbs (1.59 kg)
EXT 102	26" (66 cm)	6 lbs (2.72 kg)
EXT 103	38" (97 cm)	9.25 lbs (4.2 kg)
EXT 104	50" (127 cm)	12 lbs (5.44 kg)
EXT 105	62" (158 cm)	14.75 lbs (6.69 kg)
EXT 106	74" (188 cm)	18 lbs (8.16 kg)
EXT 107	86" (219 cm)	20.75 lbs (9.41 kg)
EXT 108	98" (249 cm)	23.25 lbs (10.55 kg)
EXT 109	110" (279 cm)	26.5 lbs (12.02 kg)
EXT 110	122" (310 cm)	29 lbs (13.15 kg)



Adjustable Length 1 1/2" Extension Columns

COLOR: Black

MODEL	Drop Length	Ship Weight
ADJ 006009	8"-11"	4 lbs. (1.81 kg)
ADJ 012018	14"-20"	4.75 lbs. (2.15 kg)
ADJ 018024	20"-26"	6.25 lbs. (2.83 kg)
ADJ 0203	26"-38"	8 lbs. (3.63 kg)
ADJ 0305	38"-62"	13.5 lbs. (6.12 kg)
ADJ 0406	50"-74"	16.25 lbs. (7.37 kg)
ADJ 0507	62"-86"	18.5 lbs. (8.39 kg)
ADJ 0608	74"-98"	21.75 lbs. (9.87 kg)
ADJ 0709	86"-110"	24.5 lbs. (11.11 kg)
ADJ 0810	98"-122"	27 lbs. (12.25 kg)
ADJ 0911	110"-134"	29 lbs. (13.15 kg)
ADJ 1012	122"-146"	31 lbs. (14.06 kg)

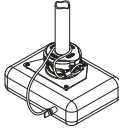


Extension Columns

Armor Lock™ Plus Security Cables

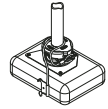
MODEL: ACC 020*

- With security lock
- For use with projectors that have a built-in security slot



MODEL: ACC 021*

- With 1/4" security cable and fasteners
- Includes adhesive for non-fastener applications

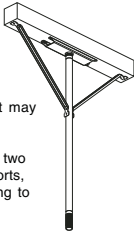


Security Accessories

Extension Column Stabilizer Kit

MODEL: ACC 050*
 COLOR: Black

- Can be used to reduce unwanted swaying that may occur with extension column installations
- Includes a hose clamp, two stabilizer column supports, & hardware for mounting to wood joists
- For use with extension columns over 21"



ALLIGATOR®

Concrete Anchors

MODELS: ACC 203, 204

- ACC 203 contains 3 anchors
- ACC 204 contains 4 anchors
- Used for attachment to concrete, concrete block, or brick
- Used in conjunction with wood screws (supplied with projector mount and/or ceiling plate)
- Expands in length and binds to the contours of the hole and the screw

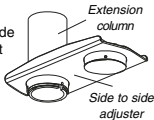


Additional Projector Mount Accessories

Side-To-Side Adjuster

MODEL: ACC 830*
 COLOR: Black

- Provides 4" of radial adjustment side to side
- Includes Flush Mount Tube, EXT 002



Extension Column Connector

MODEL: ACC 109*

COLOR: Black

- Can be used to join two 1-1/2" extension columns to create a maximum length of 20"
- Secures to columns with Armor Lock™ Security screws

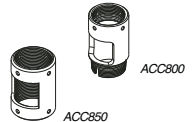


Extension Column Connector with Cord Management

MODEL: ACC800, ACC850(S)
 COLOR: ACC800 Black

ACC850 Black or Silver

- 1-1/2" access hole for internal cord management
- Unit has 1-1/2"-11.5 NPT fitting for attachment of extension column
- Security screws included
- ACC800: One male and one female connection to provide internal cord management between extension column and mount or ceiling plate
- ACC850: Two female connectors to join two extension columns to create maximum length of 20"

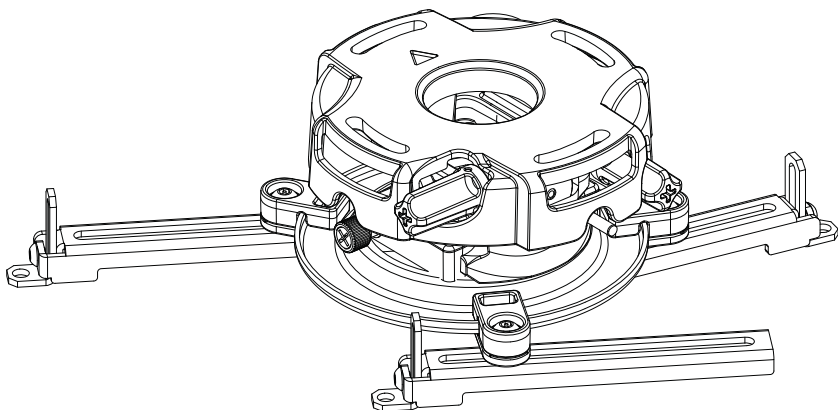


* = Not UL Listed



Instrucciones para la instalación y el ensamblaje: Soporte para proyectores PRG Precision Gear con placa adaptadora universal

Modelos: PRG-UNV, PRG-UNV-S, PRG-UNV-W



Características:

- El alineamiento ImageLock™ evita que haya descenso o desvío de la imagen.
- Destrabe rápido del tornillo imperdible que fija el bloque de conexión al exclusivo riel de aluminio.



Capacidad máxima de soportar carga:
50 lb (22.7 kg)

NOTA: Lea toda la hoja de instrucciones antes de iniciar la instalación y el montaje.

▲ ADVERTENCIA

- No comience a instalar su producto de Peerless hasta haber leído y entendido las instrucciones y las advertencias contenidas en la Hoja de Instalación. Si tiene alguna pregunta acerca de cualquiera de las instrucciones o las advertencias, por favor, llame a Servicio al Cliente de Peerless al 1-800-865-2112 si está en EE. UU. Si es un cliente internacional, por favor, comuníquese con su distribuidor local.
- Este producto sólo debe ser instalado por una persona que tenga una buena aptitud mecánica, que tenga experiencia en construcción básica de edificios y que entienda estas instrucciones en su totalidad.
- Asegúrese de que la superficie de apoyo sostendrá, con seguridad, la carga combinada del equipo y todos los fijadores y componentes.
- Nunca sobrepase la capacidad máxima de soportar carga Underwriters Laboratories. Vea la página 17.
- Si va a instalar el producto en una pared con montantes de madera, asegúrese de que los tornillos de montaje estén anclados en el centro de los montantes. Se recomienda utilizar un localizador de montantes de "borde a borde".
- Siempre cuente con la ayuda de un asistente o utilice un equipo mecánico de izar para levantar y colocar el equipo con más seguridad.
- Apriete los tornillos con firmeza, pero no en exceso. Apretarlos en exceso puede dañar los artículos y puede disminuir significativamente su fuerza de fijación.
- Este producto está diseñado para uso en interiores solamente. Utilizar este producto en exteriores podría causar fallas del producto y lesiones a individuos.
- Este producto fue diseñado para ser instalado en paredes con la siguiente construcción solamente:

CONSTRUCCIÓN DE LA PARED

- Montante de madera
- Viga de madera
- Concreto macizo
- Ladrillo
- ¿Otra superficie o no está seguro?

ACCESORIOS NECESARIOS

- Incluido
- Incluido
- Incluido
- Comuníquese con un profesional calificado (No evaluados por UL)
- Comuníquese con un profesional calificado

Herramientas necesarias para el ensamblaje

- localizador de montantes (se recomienda uno de "borde a borde")
- destornillador phillips
- taladro
- broca de 5/16" para superficies de concreto
- broca de 5/32" para montantes de madera
- llave plana o tipo Crescent
- nivel

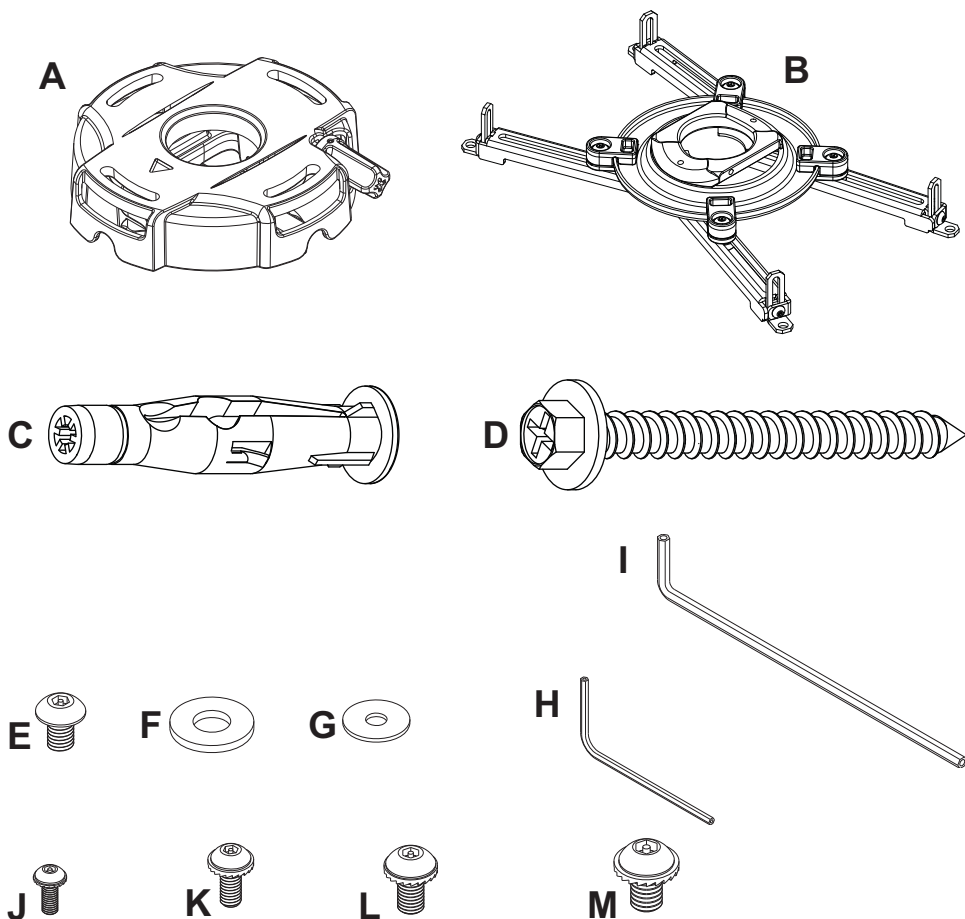
Tabla de contenido

Lista de piezas.....	19
Instalación unidad del soporte para proyectores.....	20-23
Fijar la placa adaptadora al proyector.....	25
Accesorios.....	31, 32

Antes de comenzar, coteje la lista de piezas para asegurarse de que se han incluido todas las piezas.

Descripción	Cant.	PRG-UNV	PRG-UNV-S	PRG-UNV-W
		N.º de pieza	N.º de pieza	N.º de pieza
A unidad del soporte para proyectores	1	054-1171	054-4171	054-2171
B placa adaptadora	1	055-1938	055-4938	055-2838
C anclaje para concreto	2	590-0320	590-0320	590-0320
D tornillos de cabeza hexagonal para madera N.º 14 x 2-1/2"	2	5S1-015-C03	5S1-015-C04	5S1-015-C04
E tornillo pasador de cabeza hueca N.º 10 x -32 x 1/4"	1	520-1196	520-2196	520-2196
F arandela plana de 1/4"	2	540-1078	540-1078	540-1078
G arandela plana N.º 6 x 1/2" OD	4	540-1025	540-2025	540-2025
H llave allen de seguridad de 2 mm	2	560-1097	560-1097	560-1097
I llave allen de seguridad de 4 mm	1	560-9646	560-9646	560-9646
J tornillo pasador de cabeza hueca con arandela dentada de M3 x 8 mm	4	510-1004	510-2004	510-2004
K tornillo pasador de cabeza hueca con arandela dentada de M4 x 10 mm	4	510-1060	510-2060	510-2060
L tornillo pasador de cabeza hueca con arandela dentada de M5 x 10 mm	4	510-1126	510-2063	510-2063
M tornillo pasador de cabeza hueca con arandela dentada de M6 x 10 mm	4	510-1066	510-2066	510-2066

NOTA: Las piezas pueden verse un poco distintas a la ilustración.



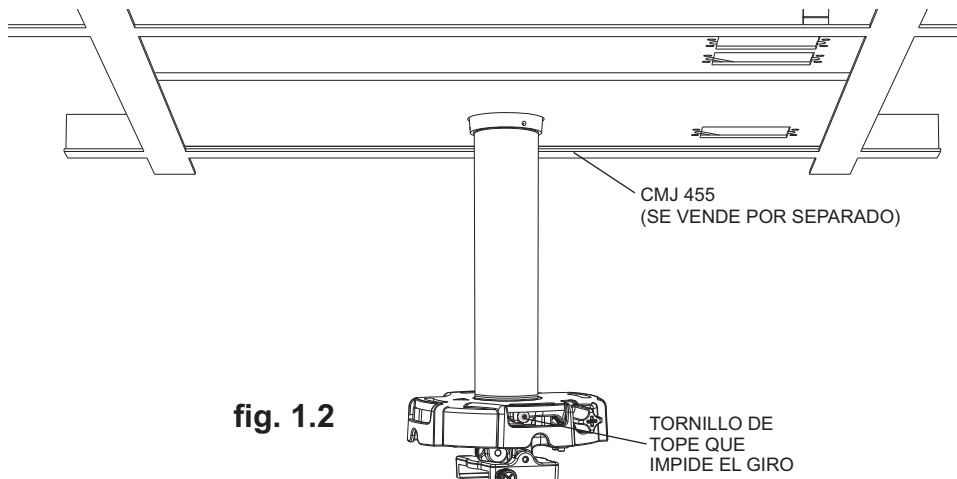
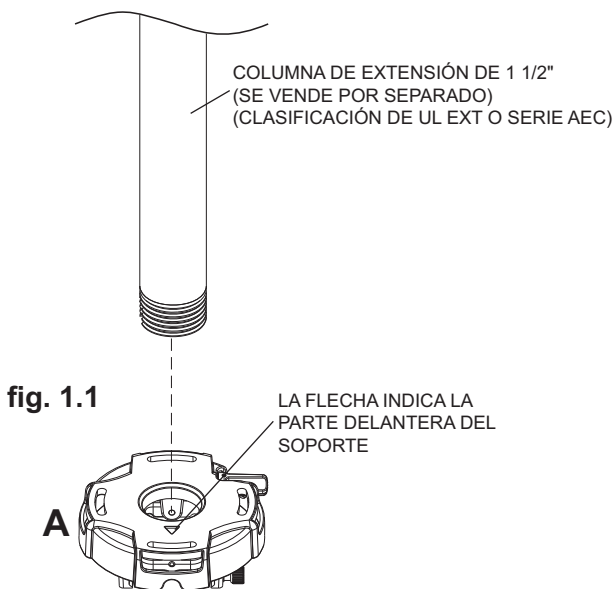
Instalación en columnas de extensión / placas de techo

1 **NOTA:** Lea las instrucciones de las placas de techo (que se venden por separado) para ver cómo instalar estos modelos en los techos.

Fije la unidad del soporte para proyectores (A) a la columna de extensión utilizando los tornillos, como se muestra en la figura 1.1. Apriete el tornillo de tope, que impide el giro, a la columna de extensión, al tubo de montaje empotrado o al reductor utilizando la llave allen de seguridad de 4mm (l), como se muestra en la figura 1.2.

NOTA: El tornillo de tope, que impide el giro, se utiliza para que trabaje contra las columnas de extensión, el tubo de montaje empotrado o el reductor para evitar que la unidad del soporte para proyectores (A) se mueva más de lo necesario. No apriete el tornillo en exceso; apretarlo en exceso dañará las roscas y hará que sea difícil separar las piezas.

Pase al paso 5.



Instalación en techos con vigas de madera

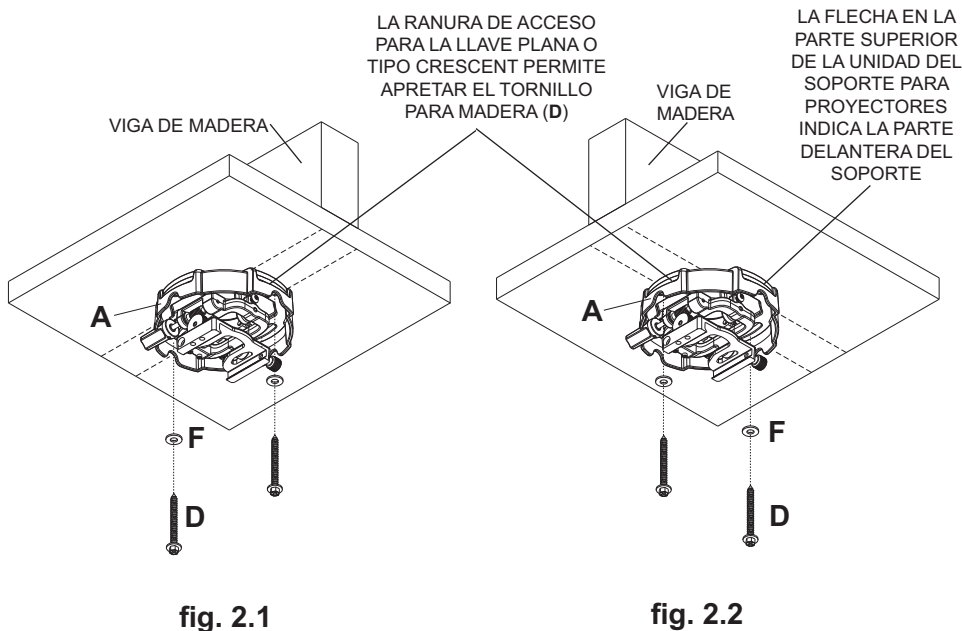
▲ ADVERTENCIA

- El instalador tiene que asegurarse de que la superficie de apoyo sostendrá, con seguridad, la carga combinada del equipo y todos los fijadores y componentes.
- Apriete los tornillos para madera de manera que la unidad del soporte para proyectores se fije firmemente, pero no en exceso. Apretarlos en exceso puede dañar los tornillos y puede disminuir significativamente su fuerza de sujeción.
- Nunca apriete a más de 80 pulg-lb (9 N•m).
- Asegúrese de que los tornillos de montaje estén anclados en el centro del montante. Se recomienda utilizar un localizador de montantes de "borde a borde".
- Los accesorios para la instalación que se proveen son para fijar el soporte a montantes de madera a través de tabique de yeso-cartón o yeso de espesor estándar. Los instaladores son responsables de suministrar los accesorios necesarios para otros tipos de instalaciones (no evaluados por UL).

- 2** Coloque la unidad del soporte para proyectores (A) contra el techo a manera de plantilla y marque el centro de los dos agujeros de montaje. Asegúrese de que los agujeros de montaje estén en el centro de la viga de madera. Taladre dos agujeros de 5/32" (4mm) de diámetro a una profundidad mínima de 2-1/2" (64mm). Fije la unidad del soporte para proyectores (A) con dos tornillos para madera de 14 x 2-1/2" (6mm x 64mm) (D) y dos arandelas planas (F), como se muestra en la figura 2.1 o en la figura 2.2, dependiendo de la orientación de la viga.

Apriete los tornillos para madera (D) utilizando una llave de copa de 3/8" (10mm), un destornillador phillips o una llave plana o tipo Crescent de 10mm hasta que la unidad del soporte para proyectores (A) se fije firmemente.

Pase al paso 5.



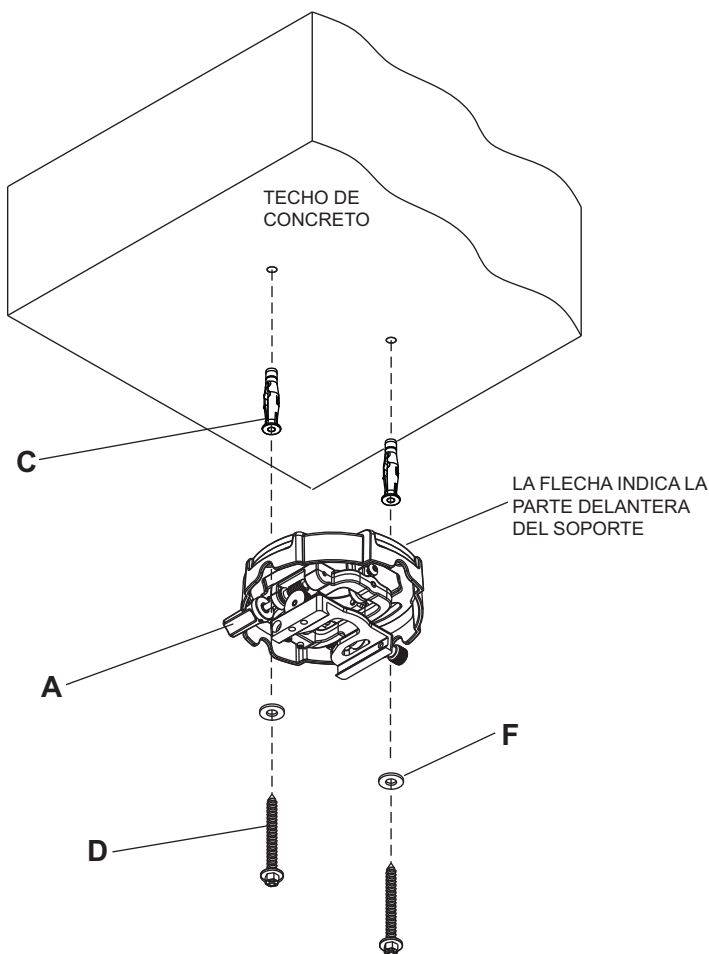
Instalación en techos de concreto

⚠ ADVERTENCIA

- El concreto tiene que tener una densidad mínima de 2,000 psi. Es posible que un concreto de menos densidad no sostenga el anclaje para concreto.
- Asegúrese de que la superficie de apoyo sostendrá, con seguridad, la carga combinada del equipo y todos los fijadores y componentes.

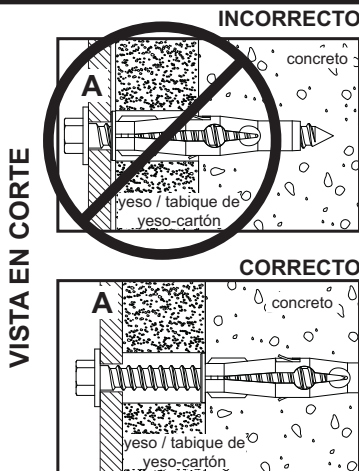
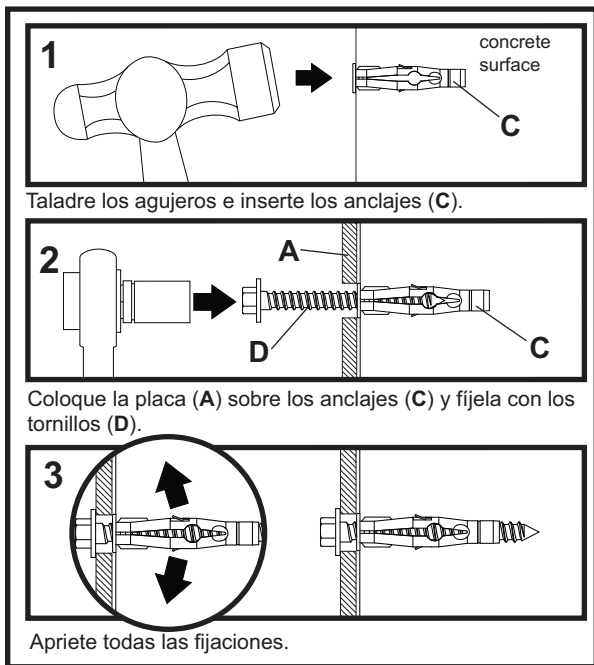
- 3** Coloque la unidad del soporte para proyectores (**A**) contra el techo a manera de plantilla y marque el centro de los dos agujeros de montaje. Taladre dos agujeros de 5/16" (8mm) de diámetro a una profundidad mínima de 2-1/2" (64mm). Fije la unidad del soporte para proyectores (**A**) utilizando dos anclajes para concreto (**C**), dos arandelas planas (**F**) y dos tornillos para madera de 14 x 2-1/2" (**D**), como se muestra. **NOTA:** Las ranuras de montaje de la unidad del soporte para proyectores permiten una rotación de 30° ($\pm 15^\circ$) antes de fijar el tornillo para madera completamente. Apriete los tornillos para madera (**D**) utilizando una llave de copa de 3/8" (10mm), un destornillador phillips o una llave plana o tipo Crescent de 10mm hasta que la unidad del soporte para proyectores (**A**) se fije firmemente.

Pase al paso 5.



▲ ADVERTENCIA

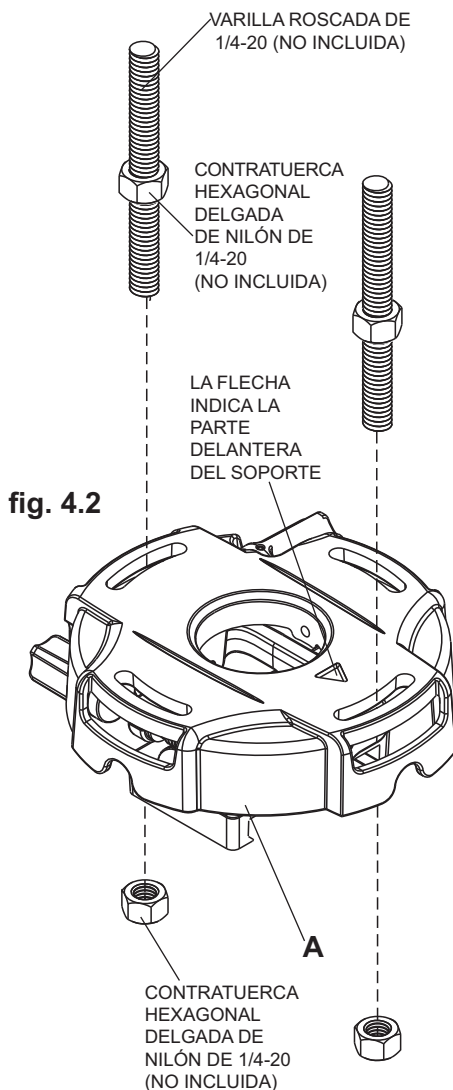
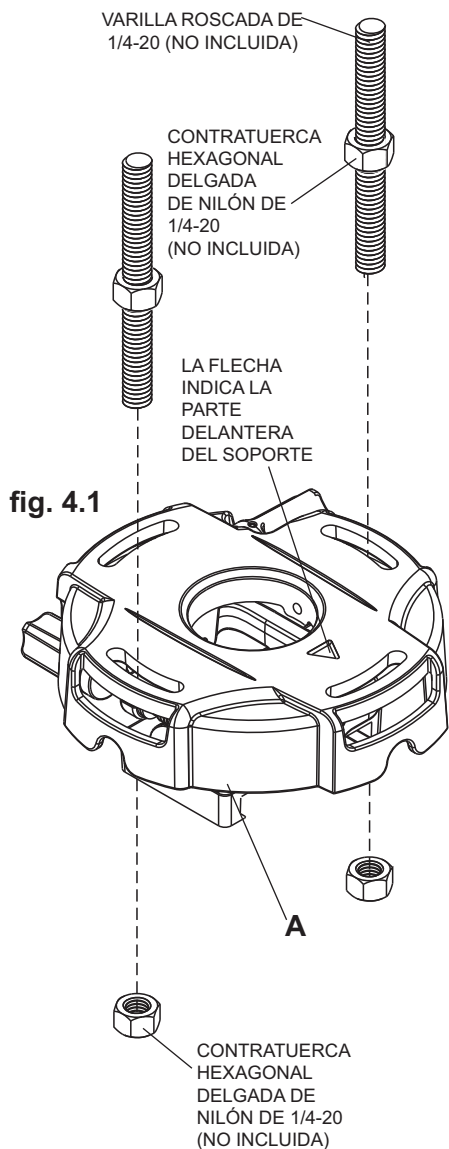
- Siempre fije los anclajes para concreto directamente en la pared que sostiene la carga.
- Nunca fije los anclajes para concreto a una pared de concreto recubierta con yeso, tabique de yeso-cartón u otro material de acabado. Si es inevitable hacer la instalación en una superficie de concreto recubierta con una superficie de acabado (no evaluado por UL), la superficie de acabado tiene que ser escariada, como se muestra abajo. Asegúrese de que los anclajes para concreto no se separen del concreto cuando apriete los tornillos. Si el grosor de la capa de yeso o tabique de yeso-cartón tiene un grosor mayor de 5/8" (16mm), el instalador tiene que suministrar las fijaciones especiales (no evaluado por UL).
- Apriete los tornillos para madera con firmeza, pero no en exceso. Apretarlos en exceso puede dañar los tornillos y puede disminuir significativamente su fuerza de fijación.
- Nunca apriete a más de 80 pulg-lb (9 N•m).



Instalación en varillas roscadas

(No evaluado por UL – Instalación profesional solamente)

- 4** Pase dos contratuercas hexagonales delgadas de nilón de 1/4-20 (no incluidas) por dos varillas roscadas de 1/4-20 (no incluidas) a la altura que quiere instalar la unidad del soporte para proyectores. Fije la unidad del soporte para proyectores (A) a las dos varillas roscadas de 1/4-20 utilizando las dos contratuercas hexagonales delgadas de nilón de 1/4-20, como se muestra en la figura 4.1 o en la figura 4.2.



Fijar la placa adaptadora al proyector

5 **NOTA:** El proyector que usted va a instalar puede tener una apariencia distinta al que se muestra en la ilustración de abajo.

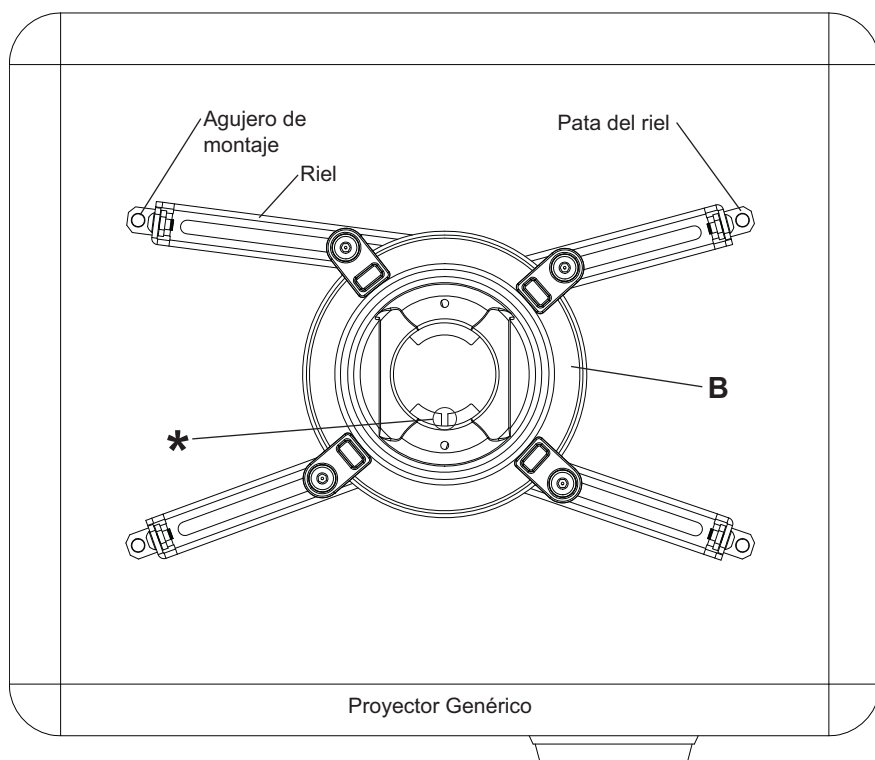
Coloque el proyector al revés. Coloque la placa adaptadora (**B**) de manera que la muesca quede hacia el frente y tan cerca del centro de gravedad del proyector como sea posible sin obstruir los agujeros de montaje. Afloje los rieles con una llave allen de seguridad de 4mm (I) y, si el proyector sólo tiene tres agujeros de montaje, quite el cuarto riel. Utilizando un riel para cada agujero de montaje, coloque las patas de los rieles sobre los agujeros de montaje como se muestra abajo.

IMPORTANTE: Si el proyector no tiene, por lo menos, tres agujeros de montaje, no utilice esta placa adaptadora.

NOTA: Algunos proyectores tienen patas que se pueden quitar y entonces el inserto roscado correspondiente se puede utilizar como un agujero de montaje.

NOTA: Una vez los rieles estén en la posición adecuada, apriete las fijaciones.

*La muesca indica la parte delantera del proyector.



- 6** Fije la placa adaptadora (B) al proyector utilizando un tornillo (J, K, L o M) para cada riel, como se muestra abajo. Apriete todos los tornillos, sin cambiar el centro de gravedad. Asegúrese de que la placa adaptadora (B) esté derecha. Ajuste las patas de los rieles para mantener el nivel de la placa adaptadora. Apriete todos los tornillos, con una llave allen de seguridad de 4mm (I), sin cambiar el centro de gravedad. Si utiliza tornillos M3 (J), apriételos utilizando una llave allen de seguridad de 2mm (H).

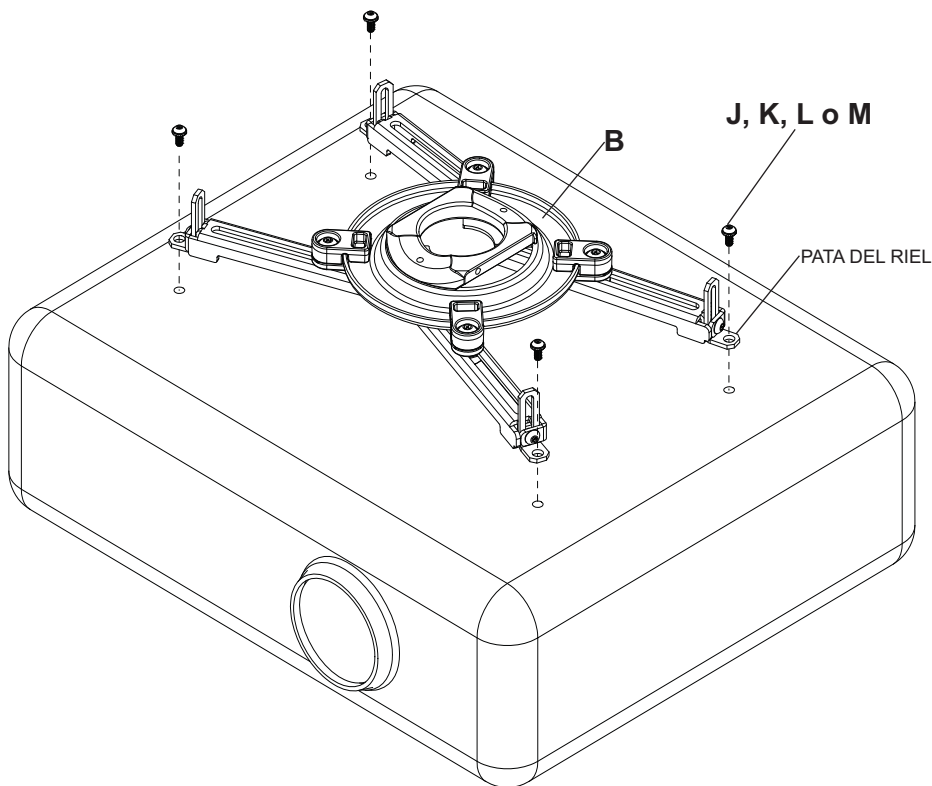
NOTA: Necesitará tornillos de tamaños diferentes para instalar diferentes proyectores. Utilice la combinación de tornillos (J, K, L o M) que sea necesaria y ajuste las patas de los rieles de manera que los rieles de la placa adaptadora (B) queden firmes contra el proyector.

IMPORTANTE: Para que las roscas entren bien en los agujeros de montaje, tiene que darle, por lo menos, tres vueltas completas al tornillo.

NOTA: Si utiliza un tornillo (J), coloque una arandela (G) entre el tornillo (J) y la pata del riel.

PRECAUCIÓN

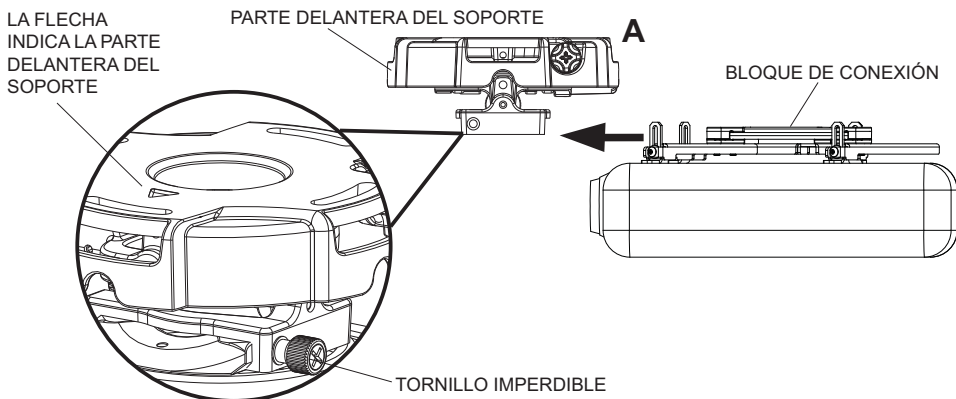
- El instalador es responsable de asegurarse de que el proyector tenga una ventilación adecuada. Las patas de los rieles se utilizan para separar el soporte de la superficie del proyector.



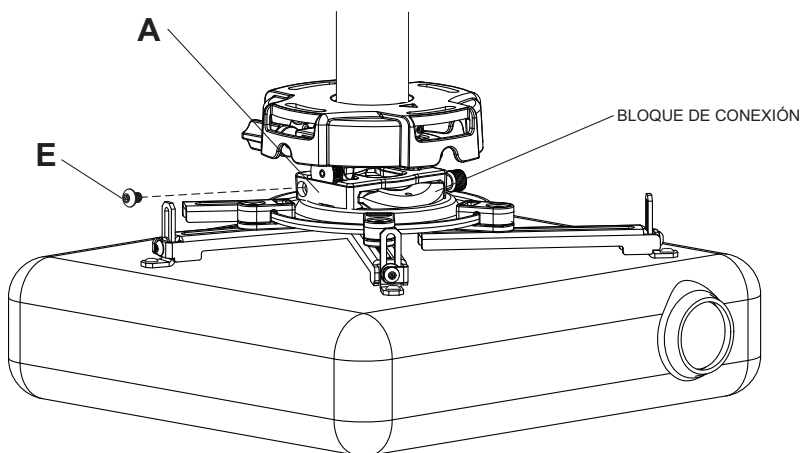
▲ ADVERTENCIA

- Siempre cuente con la ayuda de un asistente o utilice un equipo mecánico de izar para levantar y colocar el proyector con más seguridad.

- 7** Deslice el bloque de conexión junto con el proyector ya instalado para que entre en la unidad del soporte para proyectores (A), como se muestra. Empuje el tornillo imperdible hacia adentro y apriételo para asegurar la unidad del soporte para proyectores (A).



- 8 IMPORTANTE:** Para una instalación segura, inserte un tornillo pasador de cabeza hueca de N.º 10 x 1/4" (E) a través de la unidad del soporte para proyectores (A) que entre en el bloque de conexión como se ilustra. Apriete el tornillo usando una llave allen de seguridad de 4mm (I).



Manejo de cable

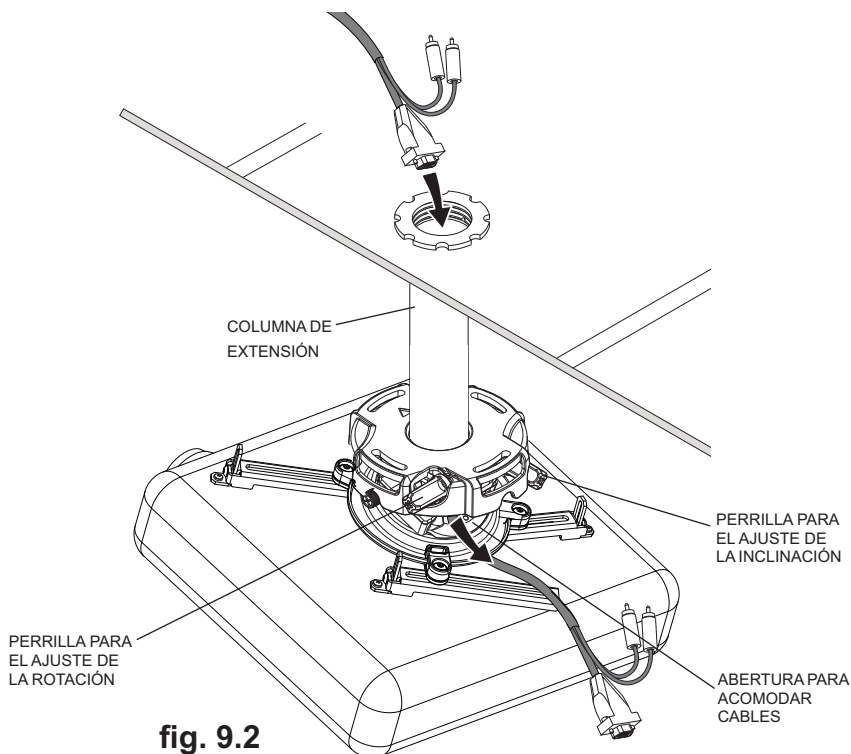
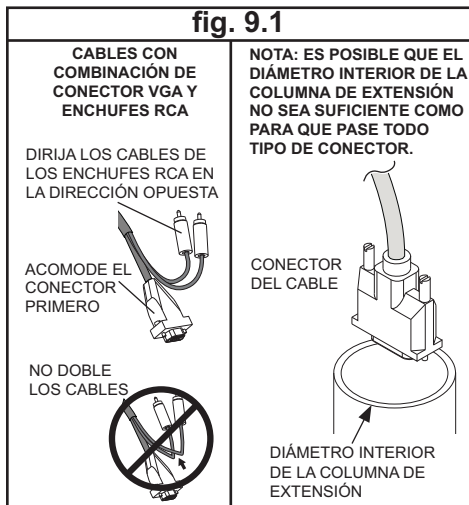
- 9** Para hacer una apertura para acomodar los cables por la unidad del soporte para proyectores, ajuste la unidad en una posición totalmente hacia arriba dándole vuelta a la perilla de ajuste de la inclinación, como se muestra en la figura 9.2. Se puede ajustar la posición de rotación hacia la izquierda o hacia la derecha si hace falta más espacio.

NOTA: Afloje los dos tornillos de seguridad a prueba de cambios no autorizados una vuelta completa antes de ajustar la unidad del soporte para proyectores o se puede dañar.

Acomode los cables por la parte superior de la columna de extensión, como se muestra en la figura 9.1 y en la figura 9.2.

NOTA: Es posible que necesite una manera de ayudar a pasar los cables por la columna de extensión (por ejemplo: amarrar un cordón para ayudar a tirar del conector por la columna de extensión).

Acomode los cables por la unidad del soporte, como se muestra en la figura 9.2 y conéctelos al proyector.

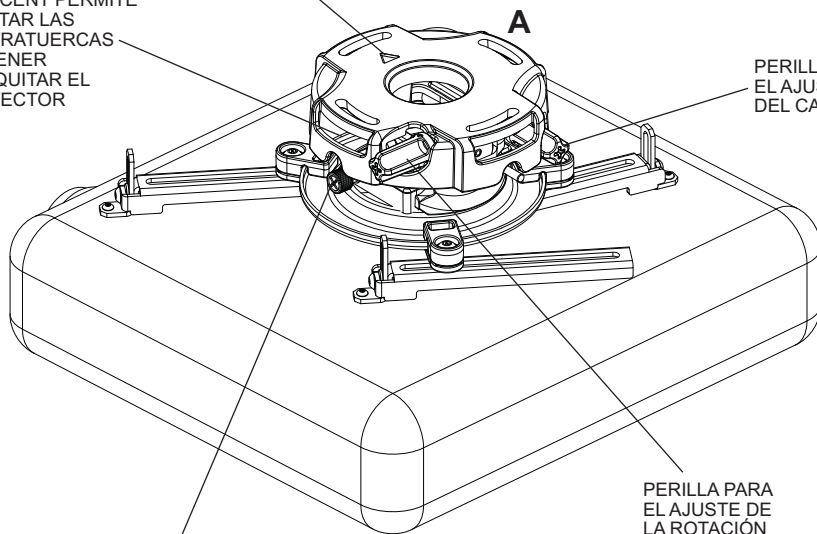


Alinear el proyector

- 10 Para ajustar la desviación (el giro) después de una instalación en varillas roscadas:** Afloje las contratuercas de las varillas roscadas (paso 4) hasta que pueda rotar el soporte para proyectores. Rote el soporte hasta la posición deseada y vuelva a apretar las contratuercas.
- Para ajustar la desviación (el giro) después de una instalación en columnas de extensión:** Afloje el tornillo de la unidad del soporte para proyectores (A) que se indica abajo hasta que pueda rotar el soporte para proyectores. Rote el soporte hasta la posición deseada y vuelva a apretar el tornillo.
- Para ajustar el cabeceo (la inclinación hacia adelante o hacia atrás):** Gire la perilla que está en la parte trasera del soporte como se muestra abajo. Hale la perilla hacia afuera y gírela con la mano para hacer el ajuste con facilidad o inserte un destornillador phillips N.o 2 en el extremo de la perilla y déle vuelta.
- Para ajustar la rotación (la inclinación hacia un lado u otro):** Gire la perilla que está en el lado del soporte, como se muestra abajo. Hale la perilla hacia afuera y gírela con la mano para hacer el ajuste con facilidad o inserte un destornillador phillips N.o 2 en el extremo de la perilla y déle vuelta.

LA RANURA DE ACCESO PARA LA LLAVE PLANA O TIPO CRESCENT PERMITE APRETAR LAS CONTRATUERCAS SIN TENER QUE QUITAR EL PROYECTOR

LA FLECHA INDICA LA PARTE DELANTERA DEL SOPORTE



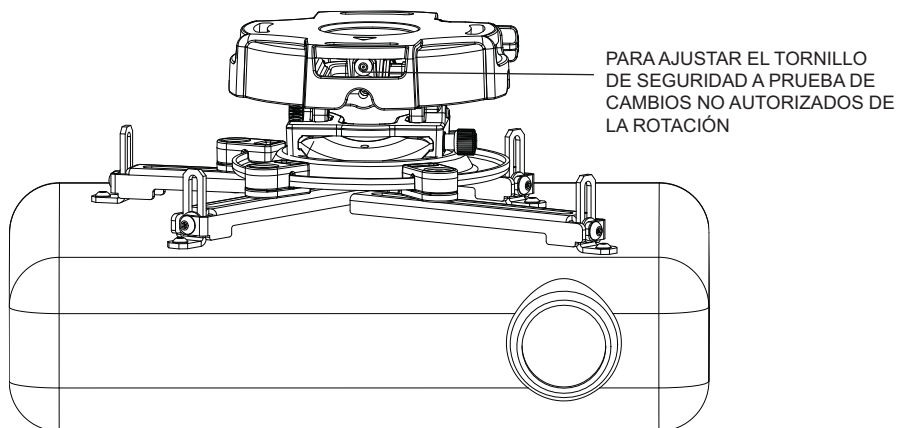
TORNILLO DE TOPE, QUE IMPIDE LA DESVIACIÓN (EL GIRO) (REFIÉRASE AL PASO 1, FIG. 1.2)

11 Para evitar cambios después de ajustar la inclinación y la rotación: Apriete los dos tornillos de seguridad a prueba de cambios no autorizados de la unidad del soporte para proyectores utilizando una llave allen de seguridad de 4mm (l) para fijar los ajustes de inclinación y rotación, como se muestra abajo.

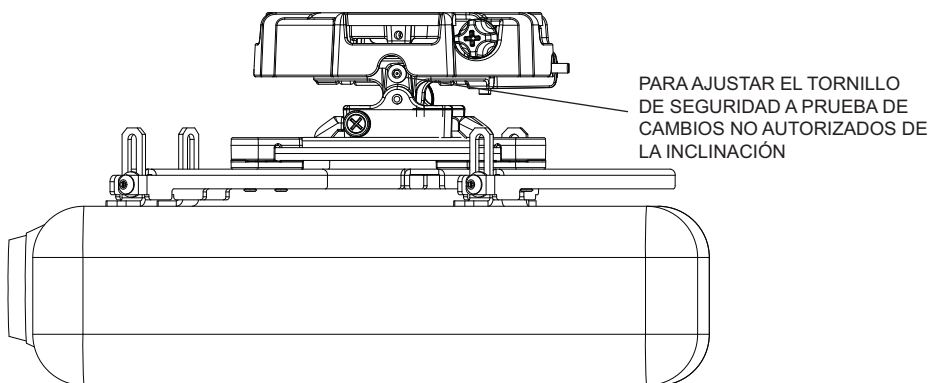
NOTA: Apriete los tornillos con firmeza, pero no en exceso. Apretarlos en exceso puede dañar el soporte.

▲ PRECAUCIÓN

- No ajuste la inclinación ni la rotación mientras los tornillos de seguridad a prueba de cambios no autorizados estén completamente apretados.
- Afloje los dos tornillos de seguridad a prueba de cambios no autorizados una vuelta completa antes de ajustar la unidad del soporte para proyectores o se puede dañar.



VISTA DELANTERA



VISTA LATERAL

Accesorios del Soporte para Projectores – Serie PRG

Placas de techo

Pieza adaptadora de techo para cerchas

MODELO: ACC 557*

CARGA MÁXIMA: 250 lbs. (113.4 kg.)

COLOR: Negro

- Se fija a cerchas con vigas cuadradas, redondas, rectangulares o metálicas de 3" de diámetro



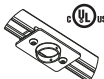
Pieza adaptadora Unistrut®

MODELO: ACC 550

CARGA MÁXIMA:
250 lbs. (113.4 kg.)

COLOR: Negro

- Diseñada para uso con Unistrut de 12 ga de 1 5/8" x 1 5/8"



Aro Escutcheon

MODELO: ACC 640

- Cubre el agujero por el cual la columna de extensión entra en el techo
- El aro abisagrado se cierra alrededor de la columna de extensión
- Se incluye con el CMJ 500



¡Nueva!

Placa de peso liviano para techos tipo catedral

MODELO: ACC 912*

CARGA MÁXIMA: 60 lbs. (27.2 kg.)

COLOR: Negro

- Diseñada especialmente para proyectores
- Hace posible instalar proyectores en techos angulares



¡Nueva!

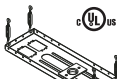
Juego ajustable de techo suspendido de peso liviano

MODELO: CMJ 500

CARGA MÁXIMA:
60 lbs. (27.2 kg.)

COLOR: Blanco

- Se instala sobre una loza de falso techo de 2' x 4' ó 2' x 2'
- Incluye cables de seguridad y tubo de montaje empotrado y tiene dos paneles removibles para cajas de distribución eléctrica
- Ofrece un ajuste ilimitado para la colocación



Placa de techo circular

MODELO:
ACC570(S)(W)

COLORES: NEGRO, BLANCO O PLATEADO cUL US

CARGA MÁXIMA: 150 lb (68 kg)

PESO ENBARQUE: 1.7 lb (.8 kg)

- Diseñado para techos con superficies de acabado o techos estructurales
- Techos (Madera o concreto)
- Incluye un sistema de manejo de cables



Juego de techo suspendido de peso liviano

MODELO: CMJ 455

CARGA MÁXIMA:
50 lbs. (22.7 kg.)

COLOR: Blanco

- Cinco puntos para fijar el soporte para proyectores
- Incluye cables de seguridad y tubo de montaje empotrado y tiene dos paneles removibles para cajas de distribución eléctrica
- Puede reemplazar una loza de falso techo de 2' x 4' ó 2' x 2' o puede instalarse sobre una loza de falso techo de 2' x 4' ó 2' x 2'



Placas de techo Unistrut o para techos estructurales

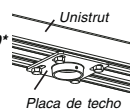
MODELOS:

CMJ 300*, CMJ 310*

CARGA MÁXIMA:
250 lbs. (113.4 kg.)

COLOR: Negro

- CMJ 300 es una placa de techo de 4" x 4"
- CMJ 310 es una placa de techo de 8" x 8"
- Diseñadas para uso con techado Unistrut (de 12 ga de 1 5/8" x 1 5/8) o con techos estructurales sólidos (no se incluyen los fijadores para la instalación)



Placas de techo antivibraciones

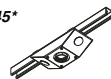
MODELOS:

ACC 840*, ACC 845*

CARGA MÁXIMA:
60 lbs. (27.2 kg.)

COLOR: Negro

- ACC 840 fue diseñada para techos estructurales (madera solamente)
- ACC 845 fue diseñada para uso con techado Unistrut (de 12 ga de 1 5/8" x 1 5/8)
- Disminuye las vibraciones no deseadas que pueden causar daños internos al equipo o causar movimiento de la imagen de a pantalla
- Tiene dos agujeros de acceso para el manejo de los cables
- Patente en trámite



Abrazaderas para vigas de metal

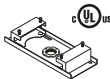
MODELOS:

ACC 558, ACC 559

CARGA MÁXIMA:
250 lbs. (113.4 kg.)

COLOR: Negro

- ACC 558 se acopla a vigas de metal de 4"-8"
- ACC 559 se acopla a vigas de metal de 7"-12"



Juego de accesorios para el CMJ 455

MODELO: ACC 455*

Este paquete contiene cuatro soportes colgantes y cuatro abrazaderas colgantes para ofrecer mayor estabilidad, para uso con el modelo CMJ 455

* = No clasificado por UL

Accesorios del Soporte para Proyectoros – Serie PRG

Manejo de cables

Envoltura para cables

MODELOS: ACC 852(W)(S)*

COLOR: Negro, Blanco o Plateado



- Incluye, cuatro secciones de 2'
- Diseñado para que los cables pasen por el exterior de una columna de extensión de 1/2"
- Las secciones se pueden apilar para aumentar o disminuir la longitud

Columnas de extensión

Fixed Length 1 1/2"

Extension Columns

COLOR: Negro

MODELO	Extensión	Peso embarque
EXT 006	8" (20 cm)	2.5 lbs (1.13 kg)
EXT 018	20" (51 cm)	5 lbs (2.27 kg)
EXT 101	14" (36 cm)	3.5 lbs (1.59 kg)
EXT 102	26" (66 cm)	6 lbs (2.72 kg)
EXT 103	38" (97 cm)	9.25 lbs (4.2 kg)
EXT 104	50" (127 cm)	12 lbs (5.44 kg)
EXT 105	62" (158 cm)	14.75 lbs (6.69 kg)
EXT 106	74" (188 cm)	18 lbs (8.16 kg)
EXT 107	86" (219 cm)	20.75 lbs (9.41 kg)
EXT 108	98" (249 cm)	23.25 lbs (10.55 kg)
EXT 109	110" (279 cm)	26.5 lbs (12.02 kg)
EXT 110	122" (310 cm)	29 lbs (13.15 kg)

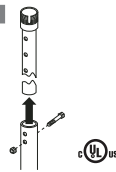


Adjustable Length 1 1/2"

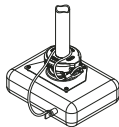
Extension Columns

COLOR: Negro

MODELO	Extensión	Peso embarque
ADJ 006009	8"-11"	4 lbs. (1.81 kg)
ADJ 012018	14"-20"	4.75 lbs. (2.15 kg)
ADJ 018024	20"-26"	6.25 lbs. (2.83 kg)
ADJ 0203	26"-38"	8 lbs. (3.63 kg)
ADJ 0305	38"-62"	13.5 lbs. (6.12 kg)
ADJ 0406	50"-74"	16.25 lbs. (7.37 kg)
ADJ 0507	62"-86"	18.5 lbs. (8.39 kg)
ADJ 0608	74"-98"	21.75 lbs. (9.87 kg)
ADJ 0709	86"-110"	24.5 lbs. (11.11 kg)
ADJ 0810	98"-122"	27 lbs. (12.25 kg)
ADJ 0911	110"-134"	29 lbs. (13.15 kg)
ADJ 1012	122"-146"	31 lbs. (14.06 kg)

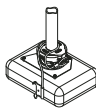


Accesorios para la seguridad



MODELO: ACC 020*

- Con dispositivo de seguridad
- Para uso con proyectores que tienen una ranura de seguridad integrada



MODELO: ACC 021*

- Con cable de seguridad de 1/4" y sujetadores
- Incluye pegamento para aplicaciones que no se pegan

Accesorios adicionales para el Soporte para Proyectoros

Juego estabilizador de las columnas de extensión

MODELO: ACC 050*

COLOR: Negro

- Se puede utilizar para disminuir la oscilación que puede ocurrir después de una instalación en columnas de extensión
- Incluye una abrazadera cremallera, dos soportes estabilizadores para columnas y las fijaciones para instalación en vigas de madera
- Para uso con columnas de extensión de más de 21"



Anclajes para concreto

ALLIGATOR®

MODELOS: ACC 203, 204

- ACC 203 contiene tres anclajes
- ACC 204 contiene cuatro anclajes
- Se usa para fijación en concreto, bloque de concreto o ladrillo
- Se usa en combinación con tornillos para madera (proporcionados con el soporte para proyectores o con la placa de techo)
- Se expande y se ajusta al contorno del agujero y del tornillo



Pieza de ajuste hacia ambos lados

MODELO: ACC 830*

COLOR: Negro

- Ofrece ajuste radial de 4" de un lado a otro
- Incluye tubo de montaje empotrado, EXT 002



Columna de extensión

Pieza de ajuste hacia ambos lados

Conector de columnas de extensión

MODELO: ACC 109*

COLOR: Negro

- Se puede usar para unir dos columnas de extensión de 1 1/2" para darles una longitud máxima de 20'
- Se fija a las columnas con tornillos de seguridad Armor Lock™



Conector de columnas de extensión con manejo de cable

MODELO: ACC800, ACC850(S)

COLORES: ACC800 negro

ACC850 negro o plateado

- Agujero de acceso de 1-1/2" para el manejo interno de cables
- La unidad tiene un aditamento de 1-1/2"-11.5 NPT para instalar la columna de extensión
- Incluye tornillos de seguridad
- ACC800: Un conector macho y un conector hembra para proporcionar manejo interno de cables de la columna de extensión a la unidad del soporte o a la placa de techo
- ACC850: Dos conectores hembra para unir dos columnas de extensión para alcanzar una longitud máxima de 20'



ACC850



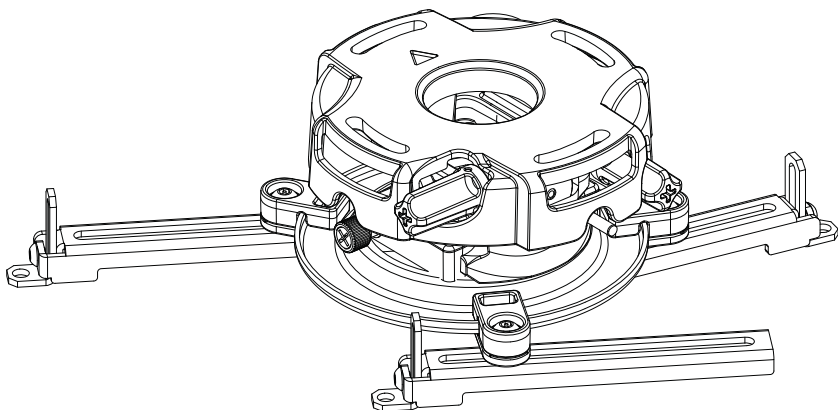
ACC800

* = Not UL Listed



Instructions d'installation et de montage: Monture de projecteur à éléments de précision PRG (Precision Gear) avec plaque d'adaptation universelle

Modèles: PRG-UNV, PRG-UNV-S, PRG-UNV-W



Caractéristiques :

- L'alignement ImageLock™ prévient l'affaissement ou le déplacement de l'image
- Levier de blocage rapide du rail exclusif en aluminium



Capacité de charge maximale:
50 lb (22.7 kg)

REMARQUE: Lisez entièrement la fiche d'instructions avant de commencer l'installation et l'assemblage.

▲ AVERTISSEMENT

- Ne commencez pas à installer ce produit avant d'avoir lu et assimilé les instructions et les avertissements contenus dans cette fiche d'installation. Pour toute question concernant les instructions ou les avertissements, veuillez appeler le service à la clientèle au 1-800-865-2112.
- Ce produit doit être installé uniquement par quelqu'un possédant une bonne aptitude à la mécanique, une expérience de la construction immobilière et ayant bien compris ces instructions.
- Assurez-vous que la surface de support puisse soutenir sans danger la charge totale de l'équipement ainsi que des pièces et composants qui y sont attachés.
- Ne dépassez jamais la capacité UL de charge maximum. Reportez-vous à la page 33.
- Si le montage est effectué sur des plafonds à solives de bois, assurez-vous que les vis de montage sont ancrées au centre des solives. L'utilisation d'un localisateur de montants « bord à bord » est fortement recommandée.
- Pour lever et positionner l'équipement en toute sécurité, faites-vous toujours aider par une autre personne ou utilisez un dispositif de levage mécanique.
- Serrez fermement les vis, mais sans excès. Un serrage excessif peut endommager les composants et en réduire considérablement la capacité de support.
- Ce produit est conçu uniquement pour un usage intérieur. L'utilisation de ce produit à l'extérieur peut causer une défaillance du produit et des blessures corporelles.
- Ce produit a été conçu pour être installé uniquement sur les constructions de plafond suivantes :

CONSTRUCTION PLAFOND

Montant en bois

Poutre en bois

Béton plein

Brique

Autre, ou vous n'êtes pas sûr ?

VISSERIE SUPPLÉMENTAIRE REQUISE

Aucune

Aucune

Aucune

Adressez-vous au service clientèle (Non évalué par l'UL)

Adressez-vous au service clientèle

Outils nécessaires au montage

- localisateur de montants (un localisateur de montants « bord à bord » est recommandé.)
- tournevis Phillips
- perceuse
- foret de 5/16 po pour surface en béton
- foret de 5/32 po pour montants en bois
- clé à fourches
- niveau

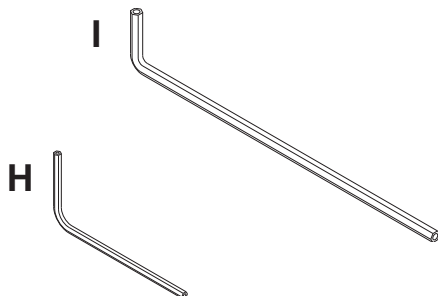
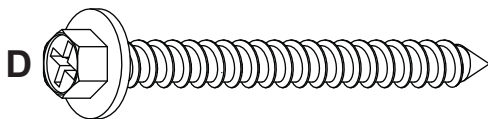
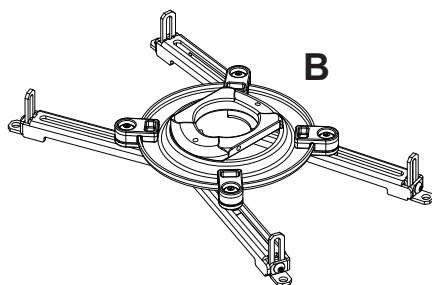
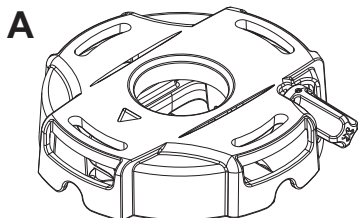
Table des matières

Liste des pièces.....	35
Installation assemblage du support de projecteur.....	36-39
Fixation de la plaque d'adaptation au projecteur.....	41
Accessoires	47, 48

Avant de commencer, veuillez vous assurer que toutes les pièces énumérées sont incluses.

Description	Qté	PRG-UNV	PRG-UNV-S	PRG-UNV-W
		Pièce no	Pièce no	Pièce no
A assemblage du support de projecteur	1	054-1171	054-4171	054-2171
B plaque d'adaptation	1	055-1938	055-4938	055-2838
C cheville d'ancrage pour béton	2	590-0320	590-0320	590-0320
D vis à bois Phillips no 14 x 2-1/2 po	2	5S1-015-C03	5S1-015-C04	5S1-015-C04
E vis à tête creuse no 10-32 x 1/4 po	1	520-1196	520-2196	520-2196
F rondelle plate de 1/4 po	2	540-1078	540-1078	540-1078
G rondelle plate no 6 x DE 1/2 po	4	540-1025	540-2025	540-2025
H clé hexagonale de sécurité de 2 mm	2	560-1097	560-1097	560-1097
I clé hexagonale de sécurité de 4 mm	1	560-9646	560-9646	560-9646
J vis à tête creuse à embase crantée M3 x 8 mm	4	510-1004	510-2004	510-2004
K vis à tête creuse à embase crantée M4 x 10 mm	4	510-1060	510-2060	510-2060
L vis à tête creuse à embase crantée M5 x 10 mm	4	510-1126	510-2063	510-2063
M vis à tête creuse à embase crantée M6 x 10 mm	4	510-1066	510-2066	510-2066

REMARQUE : Les pièces peuvent différer légèrement de l'illustration.



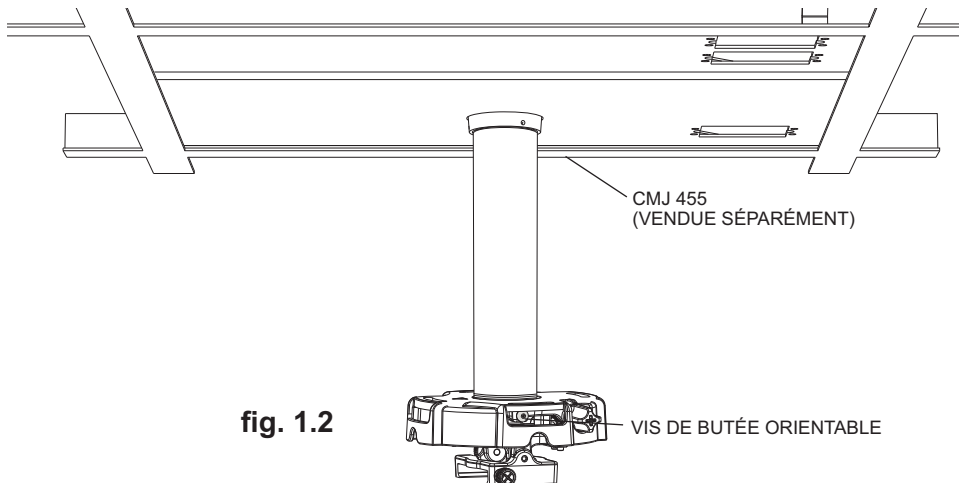
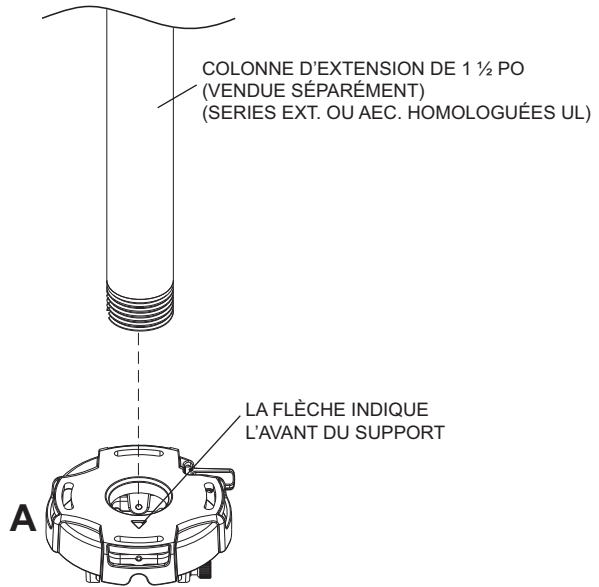
Installation à une colonne d'extension / plaque de plafond

1 REMARQUE : veuillez vous reporter aux instructions accompagnant les plaques de plafonds (vendues séparément) pour l'installation de ces modèles au plafond.

Visser l'assemblage du support de projecteur (**A**) à la colonne d'extension comme illustré à la figure 1.1. Serrez la vis butée orientable sur la colonne d'extension, le tube pour montage encastré ou le raccord réducteur à l'aide d'une clé hexagonale de sécurité de 4mm (**l**) comme illustré à la figure 1.2.

REMARQUE : la vis butée orientable doit se caler contre le filetage de la colonne d'extension, le tube pour montage encastré ou le raccord réducteur pour empêcher tout mouvement excessif du support de projecteur (**A**). Ne serrez pas trop les vis, car cela pourrait endommager le filetage et rendre difficile le démontage du produit.

Passez à l'étape 5.

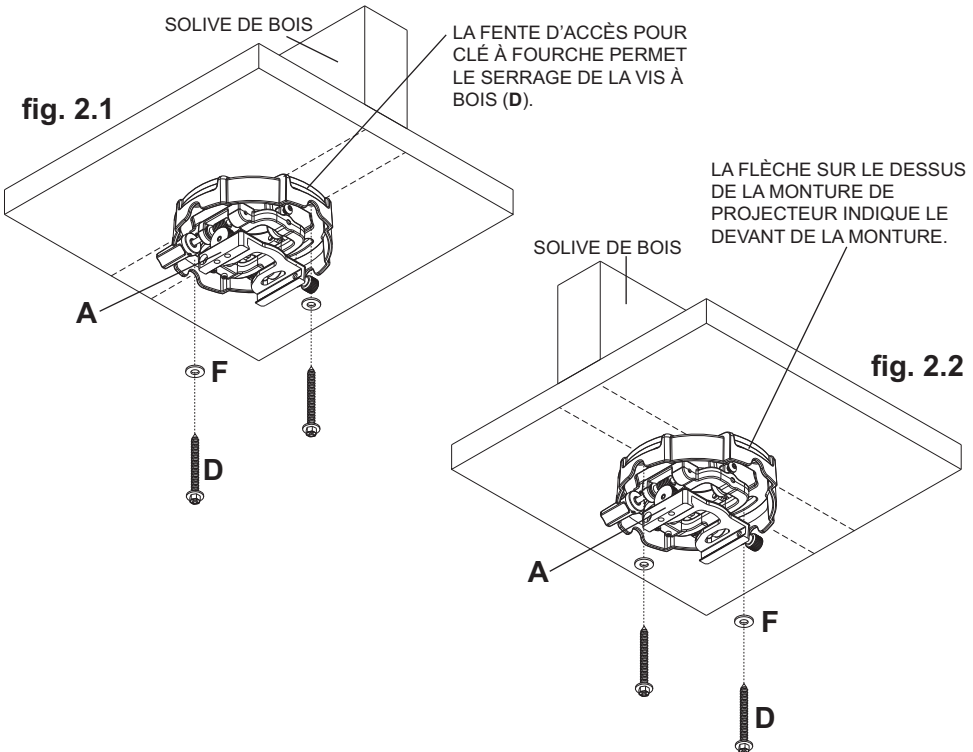


Installation sur des plafonds à solives de bois

▲ AVERTISSEMENT

- L'installateur doit s'assurer que la surface de support pourra soutenir sans danger la charge combinée de l'équipement, de toute sa visserie et de tous ses composants.
- Serrez les vis à bois fermement, mais sans excès de manière que la monture de projecteur soit solidement fixée. Un serrage excessif peut endommager les vis et en réduire considérablement le pouvoir de maintien.
- Ne serrez jamais à plus de 9 Nm (80 po-lb).
- Assurez-vous que les vis de montage sont ancrées au centre des montants. L'usage d'un localisateur de montants « bord à bord » est fortement conseillé.
- La visserie est fournie pour fixer la monture à travers une cloison sèche ou du plâtre d'épaisseur standard et dans des montants en bois. Il appartient aux installateurs de fournir la visserie nécessaire pour d'autres types de situations (non évalué par l'UL)

- 2** Installez au plafond la monture de projecteur (A) qui servira de gabarit et marquez le centre des deux trous de montage. Assurez-vous que les trous de montage se trouvent bien au centre de la solive de bois. Percez deux trous de 5/32 po (4mm) de diamètre à une profondeur minimale de 2-1/2 po (64mm). Fixez la monture de projecteur (A) à l'aide de deux vis à bois (D) n°14 x 2-1/2 po (6mm x 64mm) et de deux rondelles plates (F), comme illustré figure 2.1 ou figure 2.2, suivant l'orientation de la solive.
- Serrez les vis à bois (D) à l'aide d'une clé à douille de 3/8 po (10mm), d'un tournevis cruciforme ou d'une clé à fourche jusqu'à ce que la monture de projecteur (A) soit fermement fixée.
- Passez à l'étape 5.**



Installation à un plafond en béton

▲ AVERTISSEMENT

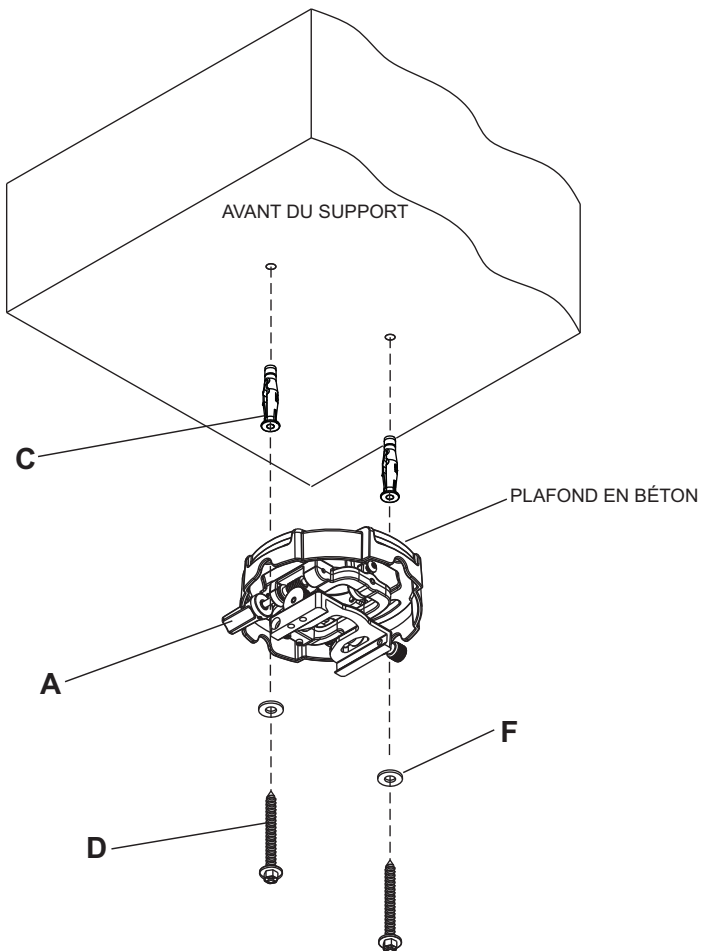
- Le béton doit avoir une densité minimale de 2 000 psi. Un béton de densité moindre risquerait de ne pas retenir un ancrage de béton.
- Assurez-vous que la surface de support pourra soutenir sans danger la charge combinée de l'équipement, de toute sa visserie et de tous ses composants.

- 3** Installez au plafond la monture de projecteur (A) qui servira de gabarit et marquez le centre des deux trous de montage. Percez deux trous de 5/16 po (8mm) de diamètre à une profondeur minimale de 2-1/2 po (64mm). Fixez la monture de projecteur (A) à l'aide de deux ancrages pour béton (C), de deux rondelles plates (F), et de deux vis à bois n° 14 x 2-1/2 (D), comme illustré.

REMARQUE : les fentes de montage se trouvant sur la monture de projecteur permettent une rotation de 30° (±15°) avant le serrage complet des vis à bois.

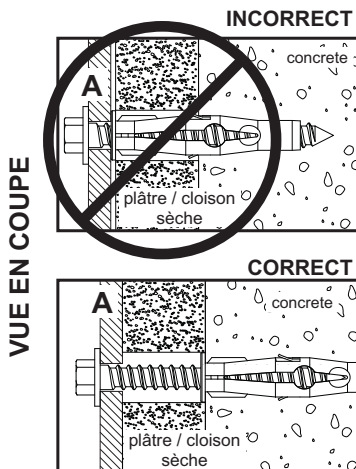
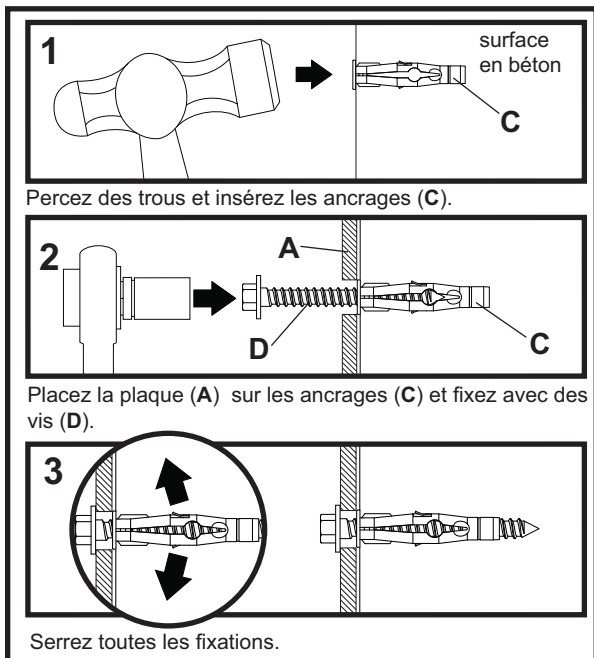
Serrez les vis à bois (D) à l'aide d'une clé à douille de 3/8 po (10mm), d'un tournevis cruciforme ou d'une clé à fourche jusqu'à ce que la monture de projecteur (A) soit fermement fixée.

Passez à l'étape 5.



▲ AVERTISSEMENT

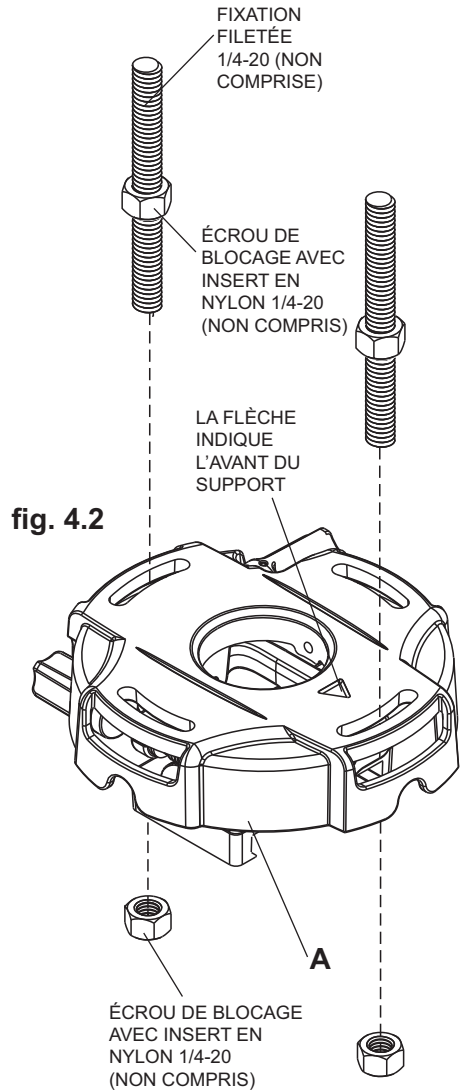
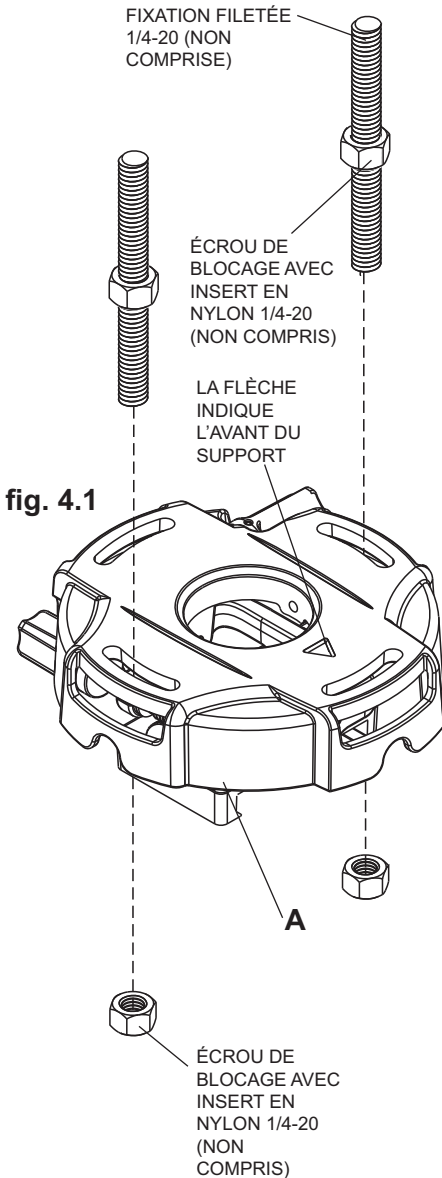
- Fixez toujours des ancrages de béton directement sur du béton porteur.
- Ne fixez jamais d'ancrages sur du béton recouvert de plâtre, une cloison sèche ou autre matériau de finition. Si vous ne pouvez pas éviter d'effectuer le montage sur du béton recouvert d'une surface de finition (non évalué par l'UL), celle-ci doit être chambrée, comme indiqué ci-dessous. Assurez-vous que les ancrages de béton ne se séparent pas du béton lorsque vous serrez les vis. Si l'épaisseur du plâtre / de la cloison sèche dépasse 16mm (5/8 po), des fixations adaptées devront être fournies par l'installateur (non évalué par l'UL).
- Serrez fermement les vis à bois, mais sans excès. Un serrage excessif peut endommager les vis et en réduire considérablement le pouvoir de maintien.
- Ne serrez jamais à plus de 9 Nm (80 po-lb).



Installation à des fixations filetées

(Non évalué par l'UL – Installation professionnelle uniquement)

- 4** Faites passer deux écrous de blocage hexagonaux avec insert en nylon 1/4-20 (non compris) sur deux fixations filetées (non comprises) à la hauteur souhaitée du support de projecteur. Fixez le support de projecteur (A) aux deux fixations filetées de 1/4-20 à l'aide de deux écrous de blocage hexagonaux avec insert en nylon 1/4-20 comme illustré à la figure 4.1 ou à la figure 4.2.



Fixation de la plaque d'adaptation au projecteur

5 REMARQUE : Il se peut que le projecteur que vous installez ne ressemble pas tout à fait à celui qui est illustré ci-dessous.

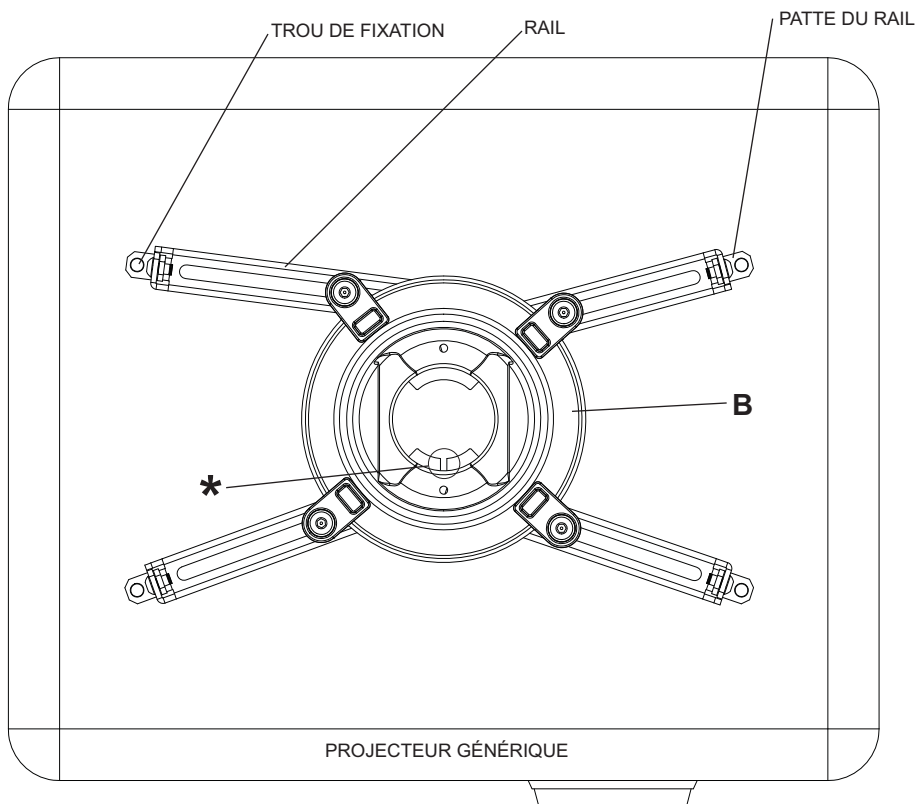
Placez le projecteur à l'envers. Repérez la plaque d'adaptation (**B**), encoche tournée vers l'avant, aussi près que possible du centre de gravité du projecteur, sans recouvrir les trous de montage. Desserrez les rails à l'aide d'une clé hexagonale de sécurité de 4mm (**I**), et s'il n'y a que trois trous de montage, enlevez le quatrième rail. En utilisant un rail par trou de fixation, placez les pattes des rails sur les trous de fixation comme illustré ci-dessous.

IMPORTANT : Si le projecteur ne dispose pas d'au moins trois trous de fixation, n'utilisez pas cette plaque d'adaptation.

REMARQUE : Certains projecteurs sont munis de pieds amovibles et l'insert fileté correspondant peut servir de trou de fixation.

REMARQUE : Une fois les rails en place, serrez les fixations.

*L'encoche indique l'avant du projecteur.



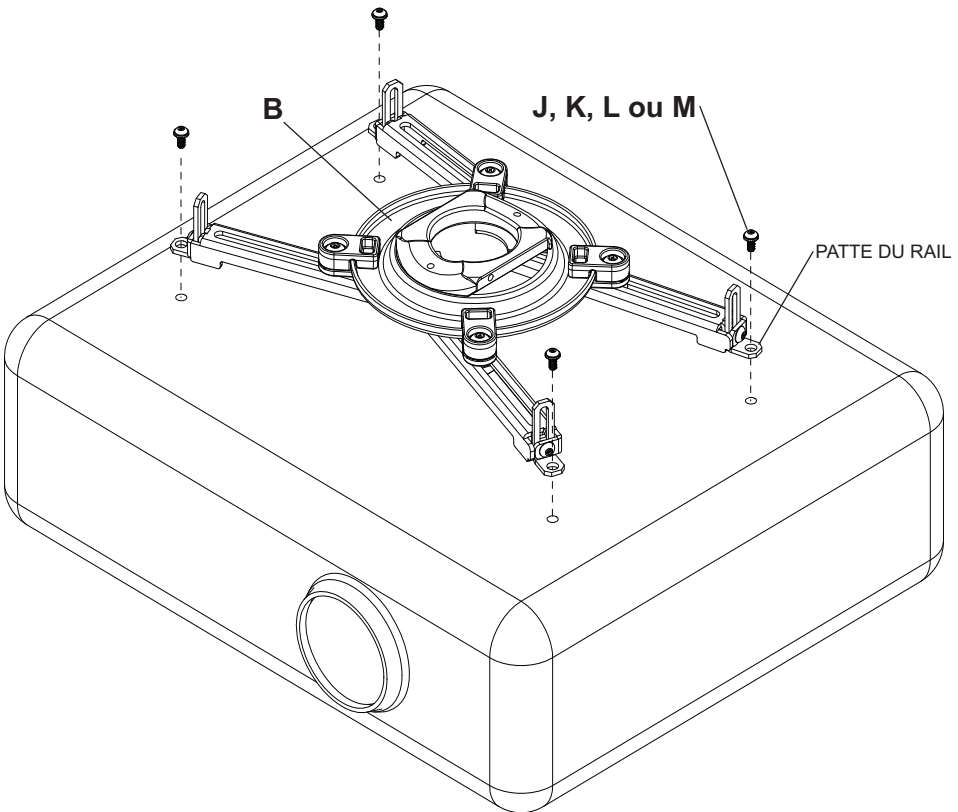
- 6** Fixez la plaque d'adaptation (**B**) au projecteur à l'aide d'une vis (**J, K, L ou M**) pour chaque rail, comme indiqué ci-dessous. Serrez toutes les vis, tout en maintenant le centre de gravité. Veillez à ce que la plaque d'adaptation (**B**) soit droite. Réglez les pattes des rails afin de maintenir la plaque d'adaptation à l'horizontale. Serrez toutes les vis à l'aide d'une clé hexagonale de sécurité de 4mm (**I**) tout en maintenant le centre de gravité. Si vous utilisez des vis M3 (**J**), serrez celles-ci à l'aide d'une clé hexagonale de sécurité de 2mm (**H**).

REMARQUE : Le montage des projecteurs nécessitera des vis de tailles différentes. Combinez les vis (**J, K, L ou M**) et un réglage des pattes approprié afin de bien caler les rails de la plaque d'adaptation (**B**) contre le projecteur. **IMPORTANT** : Afin d'insérer correctement les filetages dans les trous de fixation, vous devez serrer la vis d'au moins trois tours complets.

REMARQUE : Si vous utilisez la vis (**J**), placez la rondelle (**G**) entre la vis (**J**) et la patte du rail.

MISE EN GARDE

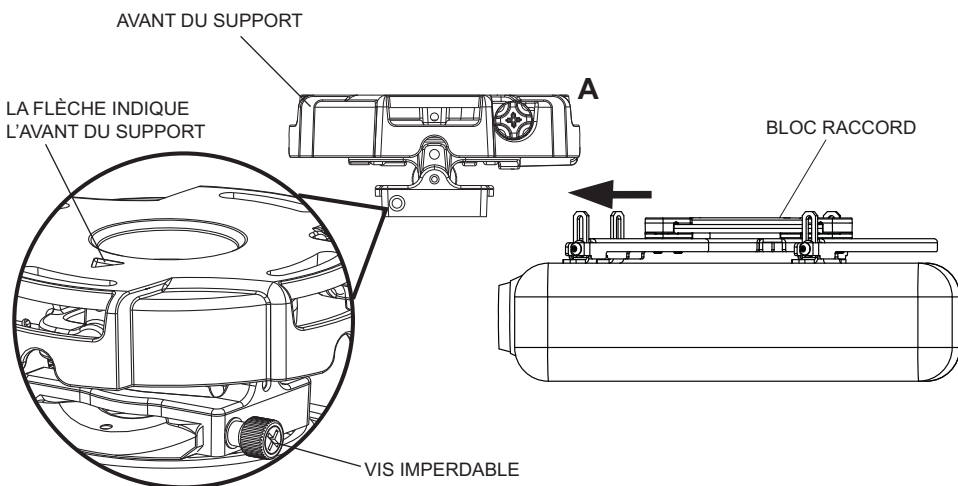
- Il incombe à l'installateur de s'assurer que le projecteur est correctement ventilé. Les pattes des rails servent à soulever le support de la surface du projecteur.



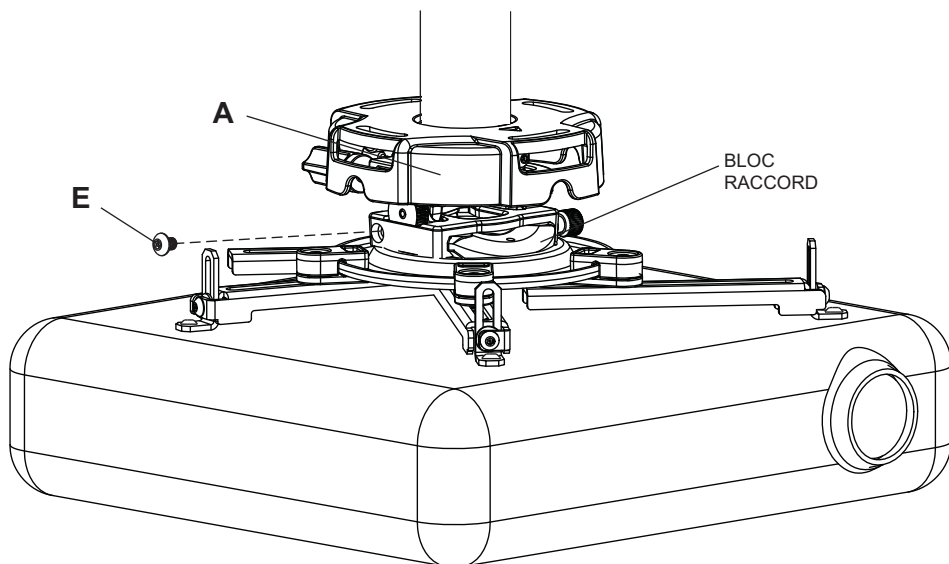
▲ AVERTISSEMENT

- Pour lever et positionner le projecteur en toute sécurité, faites-vous toujours aider par une autre personne ou utilisez un dispositif de levage mécanique.

- 7** Faites glisser le bloc raccord fixé au projecteur dans le support du projecteur (A) tel qu'illustré. Enfoncez et serrez la vis imperdable pour fixer le projecteur au support de projecteur (A).



- 8 IMPORTANT :** Pour les installations de sécurité, insérez une vis à tête creuse no 10-32 x 1/4 po (E) dans le support de projecteur (A) et dans le bloc raccord tel qu'illustré. Serrez la vis à l'aide d'une clé hexagonale de sécurité de 4mm (I).



Gestion des câbles

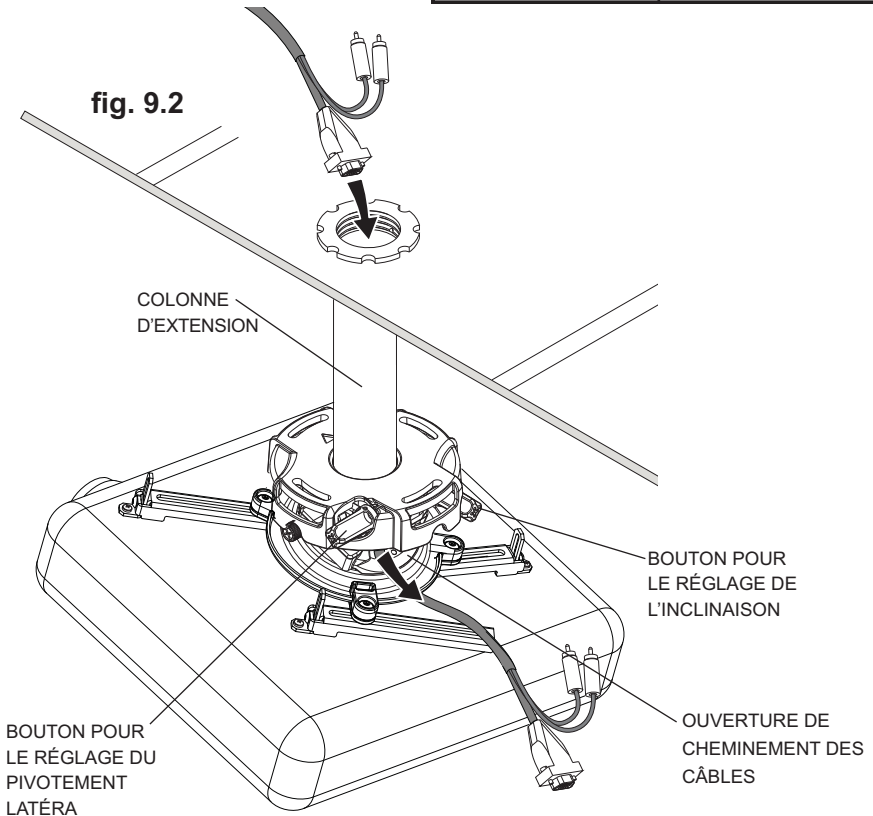
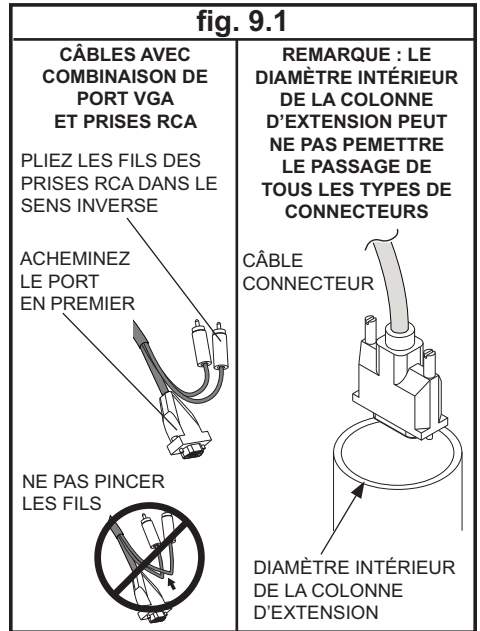
9 Pour pratiquer dans la montage de projecteur une ouverture permettant d'acheminer les câbles, réglez la montage de projecteur sur la position d'inclinaison totale vers le haut en tournant le bouton de réglage d'inclinaison comme illustré figure 9,2 Le roulis droit ou gauche peut être réglé si vous avez besoin de plus d'espace.

REMARQUE : Desserrez les vis de sécurité inviolables d'un tour complet avant de régler le support de projecteur, sinon vous risquez de l'endommager.

Acheminez les câbles par le dessus de la colonne d'extension comme illustré figure 9,1 et figure 9,2

REMARQUE : une méthode pour passer les câbles dans la colonne d'extension peut être nécessaire (par exemple : ficelle reliée à un connecteur pour aider à guider le câble au travers de la colonne d'extension).

Acheminez les câbles dans la montage de projecteur comme illustré figure 9,2 et reliez-les au projecteur



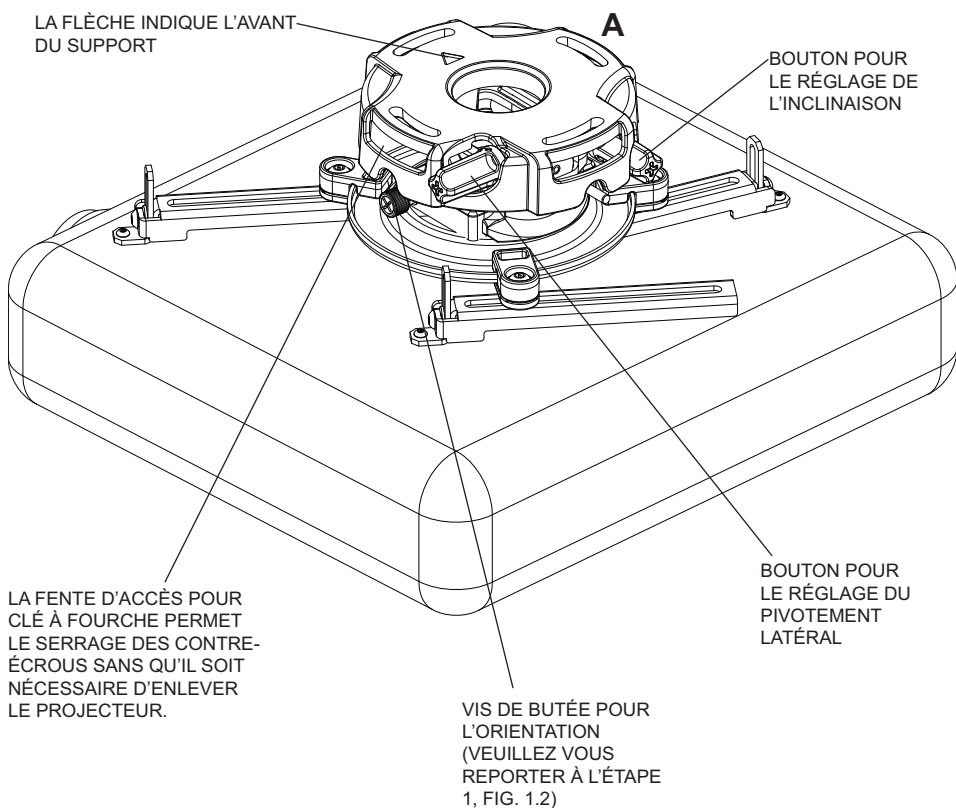
Alignement du projecteur

10 Pour régler l'orientation (pivotement) dans les applications à montage à tige filetée: desserrez les contre-écrous des tiges filetées (étape 4) jusqu'à ce que la monture de projecteur puisse être tournée. Tournez la monture jusqu'à la position désirée et resserrez les contre-écrous.

Pour régler l'orientation du projecteur lorsque celui-ci est monté sur une colonne d'extension: Desserrez la vis du support de projecteur (A) comme indiqué ci-dessous jusqu'à ce que vous puissiez faire pivoter le support de projecteur. Faites pivoter le support dans la position souhaitée, puis resserrez la vis.

Pour régler l'inclinaison du projecteur (vers l'avant ou vers l'arrière): Tournez le bouton situé à l'arrière du support comme illustré ci-dessous. Tirez sur le bouton et faites-le tourner à la main pour un réglage facile ou insérez un tournevis Phillips no 2 à l'extrémité du bouton et tournez.

Pour régler le pivotement latéral (de gauche à droite et vice versa): Tournez le bouton situé sur le côté du support comme illustré ci-dessous. Tirez sur le bouton et faites-le tourner à la main pour un réglage facile ou insérez un tournevis Phillips no 2 à l'extrémité du bouton et tournez.

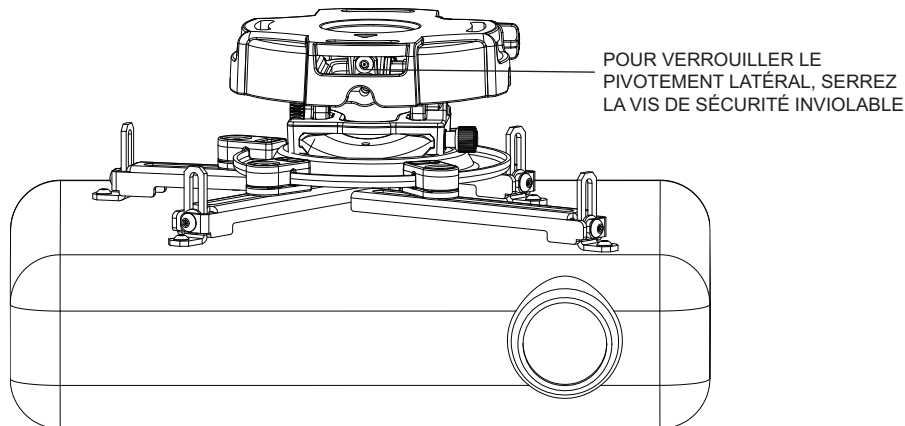


- 11** Pour empêcher l'altération du réglage de l'inclinaison et du pivotement latéral : Serrez les deux vis de sécurité inviolables sur le support de projecteur à l'aide d'une clé hexagonale de sécurité de 4mm (I) pour verrouiller le réglage de l'inclinaison et du pivotement latéral comme illustré ci-dessous.

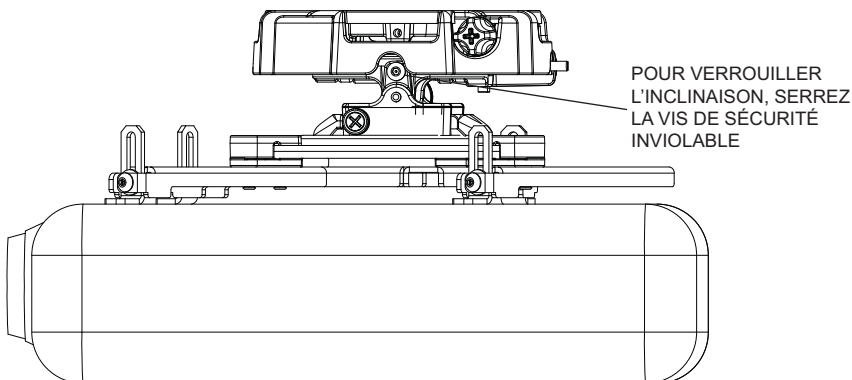
REMARQUE : Serrez fermement les vis, mais sans excès. Un serrage excessif peut endommager le support.

▲ MISE EN GARDE

- Ne réglez pas l'inclinaison ni le pivotement latéral lorsque les vis de sécurité inviolables sont complètement enfoncées.
- Desserrez les vis de sécurité inviolables d'un tour complet avant de régler le support de projecteur, sinon vous risquez de l'endommager.



VUE DE FACE



VUE LATÉRALE

Accessoires du support de projecteur de la série PRG

Plaques de plafond

Adaptateur de plafond à ossature apparente

MODÈLE : ACC 557
CHARGE MAX. : 250 LB (113,4 kg)
COULEUR : Noir

- Pour poutre en I carrée, ronde ou rectangulaire mesurant jusqu'à 3 po (7,5 cm) de diamètre



Adaptateur Unistrut®

MODÈLE : ACC 550
CHARGE MAX. : 250 lb (113,4 kg)
COULEUR : Noir

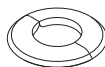
- Conçu pour une utilisation avec un Unistrut de calibre 12 de 1 5/8 po x 1 5/8 po



Anneau Escutcheon

MODÈLE : ACC 640

- Couvre le trou à l'endroit où la colonne d'extension passe à travers le plafond
- L'anneau articulé encercle la colonne d'extension
- Compris avec le modèle CMJ 500



Nouveau

Plaque légère pour plafond cathédrale

MODÈLE : ACC 912
CHARGE MAX. : 60 lb (27,2 kg)
COULEUR : Noir

- Conçue spécialement pour les projecteurs
- Permet de fixer un projecteur à un plafond en angle

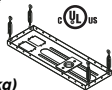


Nouveau

Ensemble de montage léger et réglable pour faux-plafond

MODÈLE : CMJ 500
CHARGE MAX. : 60 lb (27,2 kg)
COULEUR : Blanc

- Se monte sur des carreaux de faux-plafond de 2 pi x 4 pi (0,61 m x 1,2 m) ou 2 pi x 2 pi (0,61 m x 0,61 m)
- Comprend des fils d'attache métalliques, un tube pour montage encastré et deux panneaux à sections défonçables pour boîtes à prises
- Offre des possibilités illimitées de réglage du positionnement



Plaque de plafond ronde

MODÈLE : ACC 570(S)(W)
COULEUR : Noir, argent ou blanc
CHARGE MAX. : 150 lb (68 kg)

POIDS D'EXPÉDITION : 1,7 lb (0,8 kg)

- Conçue pour les plafonds finis ou les faux-plafonds (bois ou béton)
- Comprend un dispositif de gestion des câbles



Ensemble de montage léger pour faux-plafond

MODÈLE : CMJ 455
CHARGE MAX. : 50 LB (22,7 kg)
COULEUR : Blanc

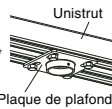
- Cinq points différents de fixation du projecteur
- Comprend des fils d'attache métalliques, un tube pour montage encastré et deux panneaux à sections défonçables pour boîtes à prises
- Peut soit **remplacer** un carreau de faux-plafond de 2 pi x 2 pi (0,61 m x 0,61 m) ou se monter **par-dessus** un carreau faux-plafond de 2 pi x 2 pi (0,61 m x 0,61 m) ou de 2 pi x 4 pi (0,61 m x 1,2 m)



Plaques pour plafond Unistrut ou structurel

MODÈLE : CMJ 300*, CMJ 310*
CHARGE MAX. : 250 LB (113,4 kg)
COULEUR : Noir

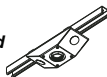
- La plaque de plafond CMJ 300 mesure 4 po x 4 pi (10 cm x 10 cm)
- La plaque de plafond CMJ 310 mesure 8 po x 8 pi (20 cm x 20 cm)
- Conçue pour un plafond Unistrut de calibre 12 de 1 5/8 po x 1 5/8 po ou un plafond structurel plein (pièces de montage non comprises)



Plaques de plafond anti-vibratoire

MODÈLE : ACC 840*, ACC 845*
CHARGE MAX. : 60 lb (27,2 kg)
COULEUR : Noir

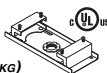
- Le modèle ACC 840 a été conçu pour un plafond structurel (en bois uniquement)
- ACC 845 a été conçu pour un plafond Unistrut de calibre 12 de 1 5/8 po x 1 5/8 po
- Réduit les vibrations indésirables pouvant causer des dommages internes au matériel ou faire vibrer l'image projetée à l'écran.
- Comprend deux trous d'accès pour cordon
- Brevet en instance



Brides pour poutre en I

MODÈLE : ACC 558*, ACC 559*
CHARGE MAX. : 250 LB (113,4 kg)
COULEUR : Noir

- Le modèle ACC 558 se fixe à une poutre en I de 4 à 8 po (10 à 20 cm)
- Le modèle ACC 559 se fixe à une poutre en I de 7 à 12 po (18 à 30 cm)



Ensemble d'accessoires pour le modèle CMJ 455*

MODÈLE : ACC 455

- Cet ensemble comprend 4 supports de suspension et 4 colliers de suspension pour plus de stabilité. Pour utilisation avec le modèle CMJ 455.

* = non homologué UL

Accessoires du support de projecteur de la série PRG

Enrouleur de cordon

MODÈLES : ACC 852(S)(W)

COULEUR : NOIR, BLANC OU ARGENT

- Comprend quatre sections de 2 pi (0,61 m)



Organisation des câbles

- Conçu pour faire passer les câbles par l'extérieur le long d'une colonne d'extension de 1/2 po (13 mm)
- Les sections peuvent être mises bout à bout pour les allonger ou coupées à la longueur souhaitée

Colonnes d'extension

Colonnes d'extension de longueur fixe de 1 1/2 po (38 mm)

COULEUR : NOIR

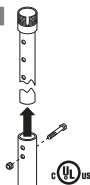
Colonnes d'extension réglable de 1 1/2 po (38 mm)

COULEUR : NOIR

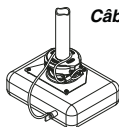
MODÈLE	Longueur	Poids d'expédition
EXT 006	8" (20 cm)	2,5 lbs (1,13 kg)
EXT 018	20" (51 cm)	5 lbs (2,27 kg)
EXT 101	14" (36 cm)	3,5 lbs (1,59 kg)
EXT 102	26" (66 cm)	6 lbs (2,72 kg)
EXT 103	38" (97 cm)	9,25 lbs (4,2 kg)
EXT 104	50" (127 cm)	12 lbs (5,44 kg)
EXT 105	62" (158 cm)	14,75 lbs (6,69 kg)
EXT 106	74" (188 cm)	18 lbs (8,16 kg)
EXT 107	86" (219 cm)	20,75 lbs (9,41 kg)
EXT 108	98" (249 cm)	23,25 lbs (10,55 kg)
EXT 109	110" (279 cm)	26,5 lbs (12,02 kg)
EXT 110	122" (310 cm)	29 lbs (13,15 kg)



MODÈLE	Longueur	Poids d'expédition
ADJ 006009	8"-11"	4 lbs. (1,81 kg)
ADJ 012018	14"-20"	4,75 lbs. (2,15 kg)
ADJ 018024	20"-26"	6,25 lbs. (2,83 kg)
ADJ 0203	26"-38"	8 lbs. (3,63 kg)
ADJ 0305	38"-62"	13,5 lbs. (6,12 kg)
ADJ 0406	50"-74"	16,25 lbs. (7,37 kg)
ADJ 0507	62"-86"	18,5 lbs. (8,39 kg)
ADJ 0608	74"-98"	21,75 lbs. (9,87 kg)
ADJ 0709	86"-110"	24,5 lbs. (11,11 kg)
ADJ 0810	98"-122"	27 lbs. (12,25 kg)
ADJ 0911	110"-134"	29 lbs. (13,15 kg)
ADJ 1012	122"-146"	31 lbs. (14,06 kg)



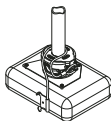
Accessoires de sécurité



Câbles de sécurité Armor Lock™ Plus

MODÈLE : ACC 020*

- Avec verrou de sécurité
- Pour utilisation avec des projecteurs avec encoche de sécurité intégrée



MODÈLE : ACC 021*

- Avec câble de sécurité de 1/4 po (6 mm) et fixations
- Comprend un adhésif pour les applications sans fixations

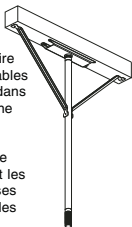
Accessoires supplémentaires pour support de projecteur

Ensemble de stabilisateur de colonne d'extension

MODÈLE : ACC 050*

COULEUR : NOIR

- Peut être utilisé pour réduire les balancements indésirables qui peuvent se produire dans les installations sur colonne d'extension
- Comprend un collier de serrage, deux supports de stabilisateur de colonne et les pièces de montage requises pour une installation sur des solives de bois.
- Pour une utilisation avec des colonnes d'extension de plus de 21 po (53 cm)



Chevilles d'ancrage pour béton

ALLIGATOR®

MODÈLES : ACC 203, 204

- Le modèle ACC 203 comprend 3 chevilles d'ancrage
- Le modèle ACC 204 comprend 4 chevilles d'ancrage
- Utilisées pour une installation sur du béton, du bloc de béton ou de la brique
- Utilisées conjointement avec des vis à bois (fournies avec le support de projecteur et/ou la plaque de plafond)
- S'allongent et s'ajustent aux contours du trou et de la vis



Raccord de colonne d'extension avec dispositif de gestion des câbles

MODÈLE : ACC800, ACC850(S)

COULEUR : ACC800 Noir

ACC850 Noir ou argent

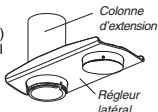
- trou d'accès de 1-1/2 po pour la gestion interne des câbles
- Cette pièce dispose d'un raccord NPT de 1-1/2 po-11,5 permettant de la fixer à la colonne d'extension
- Vis de sécurité incluses
- ACC800 : un connecteur mâle et un connecteur femelle permettant une gestion interne des câbles entre la colonne d'extension et le support ou la plaque de plafond.
- ACC850 : deux connecteurs femelles permettant de joindre deux colonnes d'extension pour créer une longueur maximale de 20 po (51 cm)

Réglage latéral

MODÈLE : ACC 830

COULEUR : NOIR

- Permet un réglage radial de 4 po (10 cm) pour le réglage latéral
- * Comprend un tube pour montage encastré, EXT 002



Raccord de colonne d'extension

MODÈLE : ACC 109

COULEUR : NOIR

- Peut être utilisé pour raccorder deux colonnes d'extension de 1 1/2 po (38 mm) pour obtenir une longueur maximale de 20 pi (6 m)
- Se fixe aux colonnes à l'aide des vis de sécurité Armor Lock™



ACC800



ACC800

* = non homologué UL

LIMITED FIVE-YEAR WARRANTY

Peerless Industries, Inc. ("Peerless") warrants to original end-users of Peerless® products will be free from defects in material and workmanship, under normal use, for a period of five years from the date of purchase by the original end-user (but in no case longer than six years after the date of the product's manufacture).

At its option, Peerless will repair or replace, or refund the purchase price of, any product which fails to conform with this warranty.

In no event shall the duration of any implied warranty of merchantability or fitness for a particular purpose be longer than the period of the applicable express warranty set forth above. Some states do not allow limitations on how long an implied warranty lasts, so the above limitation may not apply to you.

This warranty does not cover damage caused by (a) service or repairs by the customer or a person who is not authorized for such service or repairs by Peerless, (b) the failure to utilize proper packing when returning the product, (c) incorrect installation or the failure to follow Peerless' instructions or warnings when installing, using or storing the product, or (d) misuse or accident, in transit or otherwise, including in cases of third party actions and force majeure.

In no event shall Peerless be liable for incidental or consequential damages or damages arising from the theft of any product, whether or not secured by a security device which may be included with the Peerless® product. Some states do not allow the exclusion or limitation of incidental or consequential damages, so the above limitation or exclusion may not apply to you.

This warranty is in lieu of all other warranties, expressed or implied, and is the sole remedy with respect to product defects. No dealer, distributor, installer or other person is authorized to modify or extend this Limited Warranty or impose any obligation on Peerless in connection with the sale of any Peerless® product.

This warranty gives specific legal rights, and you may also have other rights which vary from state to state.

peerless-AV

www.peerlessmounts.com

© 2011 Peerless Industries, Inc.

GARANTÍA LIMITADA DE CINCO AÑOS

Peerless Industries, Inc. (Peerless) les garantiza a los usuarios finales originales de los productos Peerless® que los productos Peerless® estarán libres de defectos de materiales o de manufactura, en condiciones de uso normal, durante un periodo de cinco (5) años a partir de la fecha en la que el usuario final original compre cualquier producto (pero, en ningún caso, durante un periodo mayor de 6 años después de la fecha de manufactura del producto). Queda a la discreción de Peerless, reparar, reemplazar o reembolsar el precio de compra de cualquier producto que no cumpla esta garantía.

La duración de toda garantía implícita de comerciabilidad o de idoneidad para un propósito en particular no sobrepasará en caso alguno el periodo de vigencia de la garantía explícita correspondiente indicada en lo anterior. Algunos Estados no permiten que se establezcan limitaciones en relación con el periodo de duración de una garantía implícita, de manera que es posible que la limitación expuesta en lo anterior no sea pertinente a usted.

Esta garantía no cubre daños causados por (a) trabajos de mantenimiento o de reparación hechos por el cliente o alguna persona que no esté autorizada por Peerless para realizar dichos trabajos de mantenimiento o de reparación, (b) no empaçar el producto como es debido si lo devuelve, (c) hacer una instalación incorrecta o no seguir las instrucciones o las advertencias de Peerless al instalar, utilizar o guardar el producto o (d) el mal uso o los accidentes, en tránsito o en otras circunstancias, incluidos los casos relacionados con las acciones de terceros o una fuerza mayor.

Peerless no tendrá responsabilidad en ningún caso de daños y perjuicios incidentales o indirectos o de daños y perjuicios que surjan por el robo de cualquier producto, ya sea que el mismo esté o no esté asegurado con un dispositivo de seguridad que se haya incluido con el producto de Peerless®. Algunos Estados no permiten que se excluyan o se establezcan limitaciones en relación con los daños y perjuicios incidentales o indirectos, de manera que es posible que la limitación o la exclusión expuesta en lo anterior no sea pertinente a usted.

Esta garantía reemplaza toda otra garantía, expresa o implícita, y es el único recurso en lo que respecta a los defectos del producto. Ningún concesionario, distribuidor, instalador ni ninguna otra persona está autorizada a modificar o extender esta Garantía Limitada ni a imponer obligación alguna a Peerless en relación con la venta de cualquier producto de Peerless®.

Esta garantía concede derechos específicos creados por ley y es posible que usted, además, tenga otros derechos que varían de acuerdo con el Estado donde se encuentre.

peerless-AV

www.peerlessmounts.com

© 2011 Peerless Industries, Inc.

GARANTIE DE CINQ ANS

Peerless Industries, Inc. (« Peerless ») garantit aux utilisateurs finaux d'origine des produits Peerless^{MD} que lesdits produits ne présenteront aucun défaut de matériau ou de main-d'œuvre, dans la mesure où ils sont utilisés normalement, pendant une période de cinq ans à compter de la date d'achat par l'utilisateur final d'origine (mais en aucun cas plus de six ans après la date de fabrication du produit). Peerless, à sa discrétion, réparera ou remplacera tout produit non conforme aux termes de cette garantie, ou en remboursera le prix d'achat.

La durée de toute garantie implicite de qualité commerciale ou d'application à un usage particulier n'excédera en aucun cas la durée de la garantie applicable expressément stipulée plus haut. Certains états ou provinces n'autorisent pas la limitation de la durée d'une garantie implicite, et la limitation ci-dessus peut donc ne pas vous être applicable.

Cette garantie ne couvre pas les dommages causés par (a) un entretien ou des réparations effectués par l'acheteur ou une personne non autorisée par Peerless à effectuer un tel entretien ou de telles réparations, (b) un emballage inadéquat lors de l'expédition d'un produit retourné, (c) une installation incorrecte ou le non-respect des instructions ou mises en garde de Peerless lors de l'installation, l'utilisation ou le rangement du produit, ou (d) une mauvaise utilisation ou un accident survenu lors d'un transport ou autrement, y compris l'intervention de tiers et les cas de force majeure.

Peerless ne peut en aucun cas être tenu responsable de quelque dommage accessoire ou indirect que ce soit ni de dommages résultant du vol d'un quelconque produit, que celui-ci ait été ou non protégé par un dispositif de sécurité intégré à un produit Peerless^{MD}. Certains états ou provinces n'autorisent pas l'exclusion ou la restriction des dommages accessoires ou indirects, et il est possible que les restrictions ou exclusions ci-dessus ne s'appliquent pas à votre cas.

Les dispositions de cette garantie remplacent toute autre garantie expresse ou implicite et constituent le seul recours possible en cas de défectuosité d'un produit. Aucun marchand, distributeur, installateur ou autre personne n'est autorisé à modifier ou étendre la portée de cette garantie limitée, ni à imposer quelque obligation ce que soit à Peerless en ce qui concerne la vente de tout produit Peerless^{MD}.

Cette garantie offre des droits juridiques particuliers auxquels peuvent s'ajouter d'autres droits, susceptibles de varier d'une province ou d'un état à l'autre.

peerless-AV

www.peerlessmounts.com

© 2011 Peerless Industries, Inc.