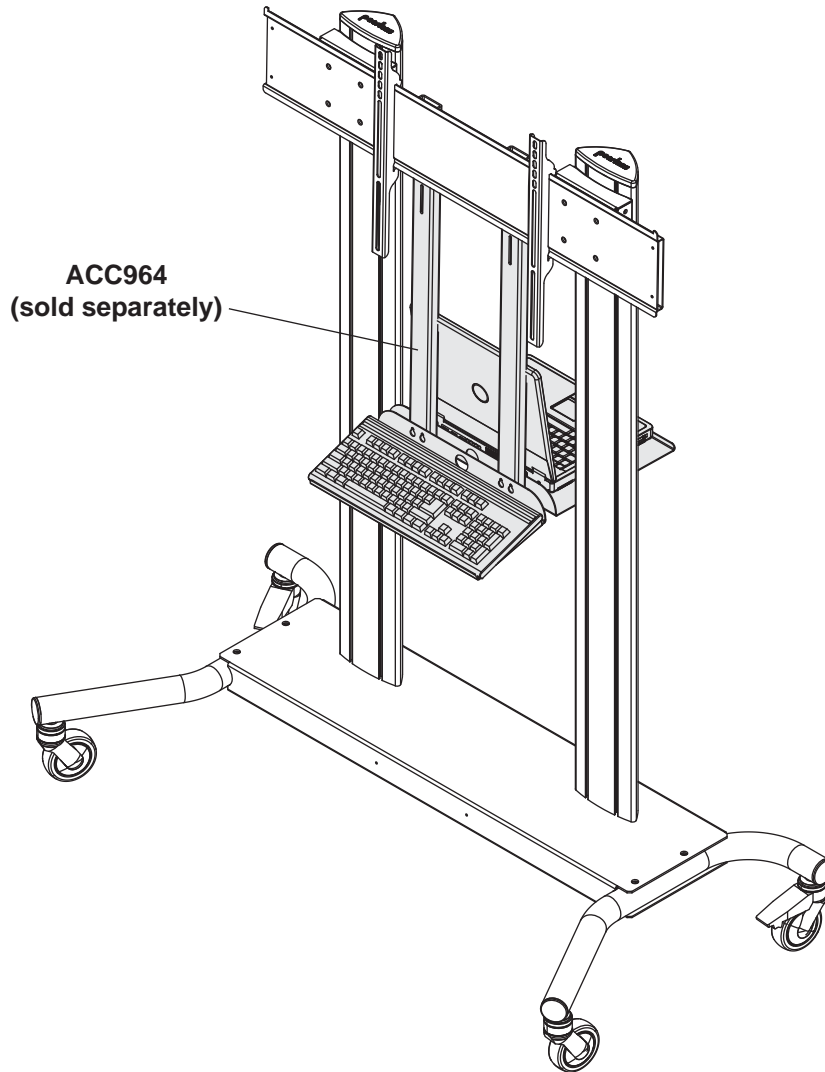




Installation and Assembly: Flat Panel Display Cart

Models: SC590, SC590-S



205 Westwood Ave, Long Branch, NJ 07740
Phone: 866-94 BOARDS (26273) / (732)-222-1511
Fax: (732)-222-7088 | E-mail: sales@touchboards.com

Max Load Capacity: 300 lb (136.1 kg)

NOTE: Read entire instruction sheet before you start installation and assembly.

WARNING

- Do not begin to install your Peerless product until you have read and understood the instructions and warnings contained in this Installation Sheet. If you have any questions regarding any of the instructions or warnings, for US customers please call Peerless customer care at 1-800-865-2112, for all international customers, please contact your local distributor.
- This product should only be installed by someone of good mechanical aptitude, and fully understands these instructions.
- Never exceed the Maximum Load Capacity on page 1.
- Always use an assistant or mechanical lifting equipment to safely lift and position equipment.
- Tighten screws firmly, but do not overtighten. Overtightening can damage the items, greatly reducing their holding power.
- The cart is not affixed or secured to the floor, and may therefore tip over and/or fall if display and/or cart is shaken or hit. Always monitor children and do not let children play alone around cart as they could get hurt by a falling display. Not recommended for use in areas with heavy traffic.
- This product is intended for indoor use only. Use of this product outdoors could lead to product failure and personal injury.

Tools Needed for Assembly

- phillips screwdriver

Table of Contents

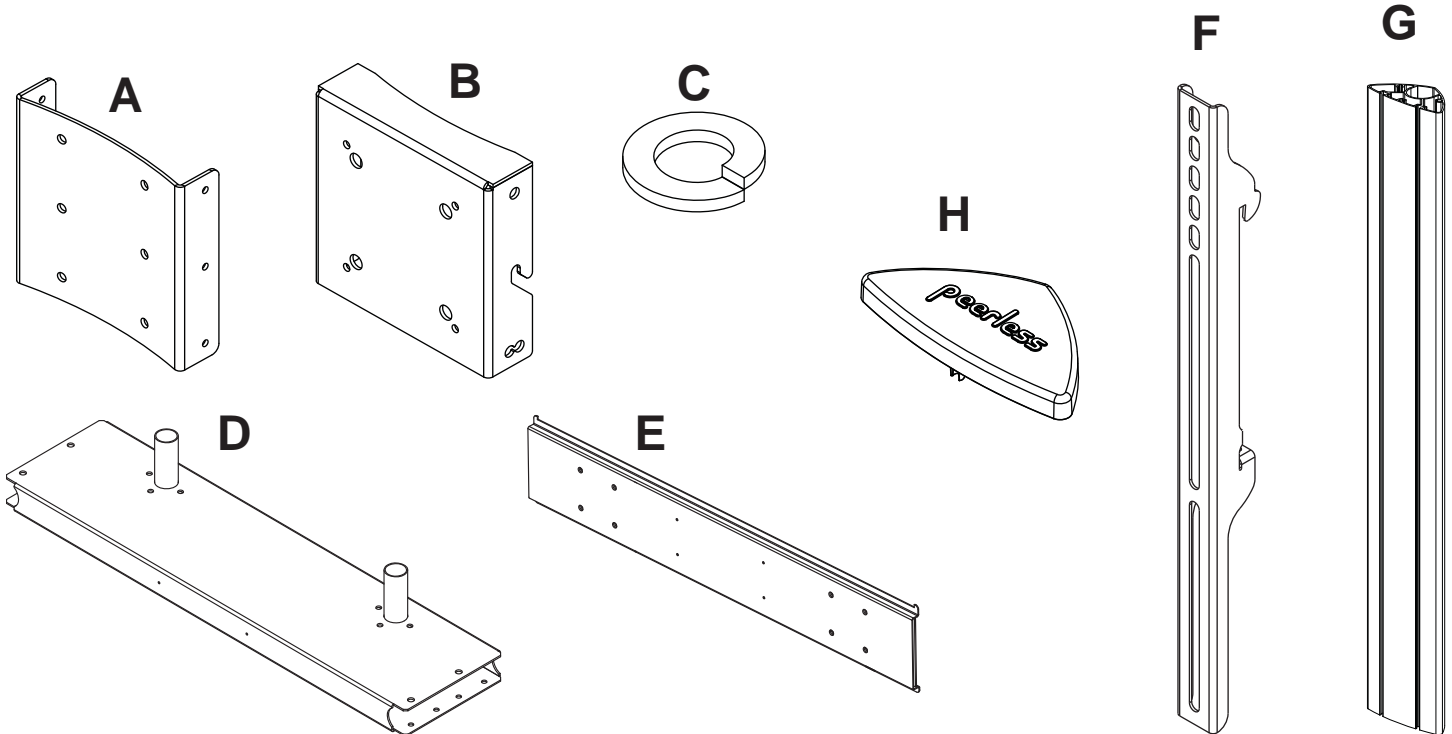
Parts List.....	3, 4
Assembling Cart	5
Installing Vertical Adapters to Flat Panel Display	9
Mounting Flat Panel Display	11

Before you begin, make sure all parts shown are included with your product.

Parts List

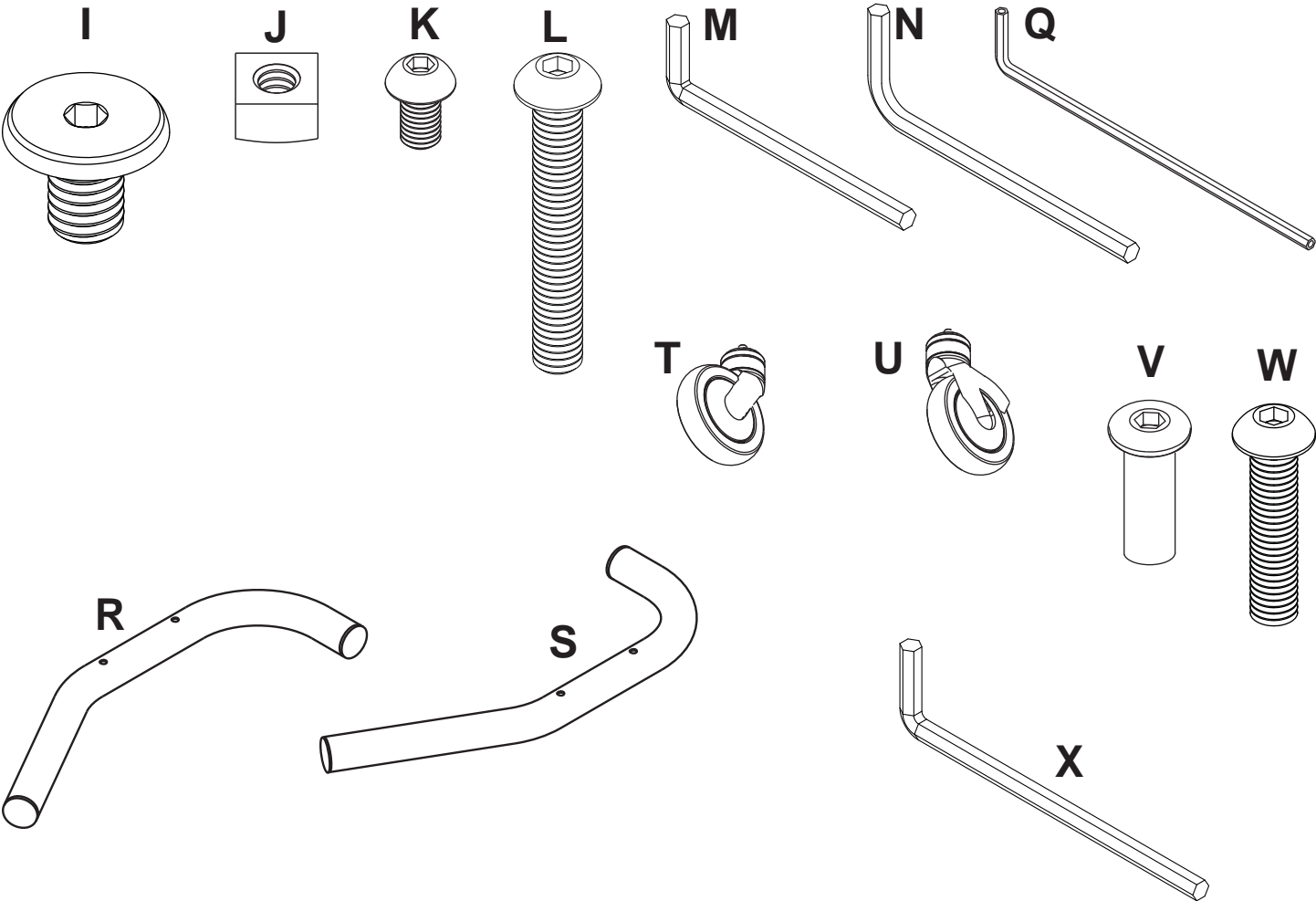
Description	Qty.	SC590	SC590-S
		Part Number	Part Number
A mount bracket	2	201-1156	201-G4156
B hook plate	2	201-1157	201-G4157
C M10 x .402 ID lock washer	6	540-9424	540-9424
D base	1	009-1437	009-G4437
E universal plate	1	009-1432	009-G4432
F adapter bracket	2	201-1513	201-G4513
G upright	2	580-1180	580-G4180
H top cover	2	590-1210	590-4210
I 1/4-20 x 12mm decorative screw	20	520-2325	520-1325
J 1/4-20mm nut	12	530-1050	530-2031
K M10 x 15 mm socket screw	8	520-9262	520-9534
L 3/8-16 x 2.5" socket screw	6	520-9550	520-9550
M 7/32" allen wrench	1	560-9715	560-9715
N 6 mm allen wrench	1	560-9716	560-9716
Q 4 mm allen wrench	1	560-9646	560-9646
R right leg	1	009-1295	009-G4295
S left leg	1	009-1296	009-G4296
T wheel caster	2	600-0044	600-0044
U wheel caster/brake	2	600-0045	600-0045
V joint connector nut	4	530-1037	530-2037
W 3/8-16 x 1.5" screw bolt	4	520-1329	520-1329
X 3/16" allen wrench	1	560-0071	560-0071

Parts may appear slightly different than illustrated.

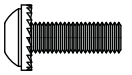



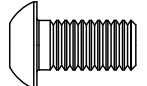
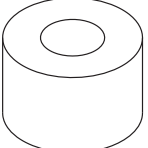
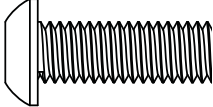


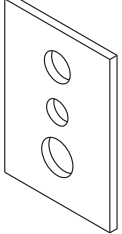
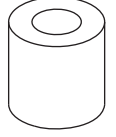
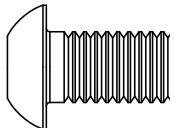
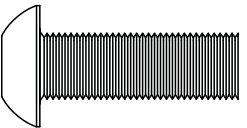
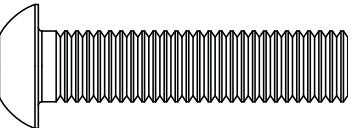


Parts List continued

Parts may appear slightly different than illustrated.



Security Tilt Bracket Fasteners

 M4 x 12mm (6) (510-1079)	 M4 x 25mm (4) (510-1082)	 M5 x 12mm (4) (520-1064)	 M5 x 25mm (4) (520-1122)	 M6 x 12mm (4) (520-1050)	 .75" spacer (540-1059) (4)
 M6 x 20mm (4) (520-9554)	 M6 x 25mm (4) (520-1211)	 M6 x 30mm (4) (520-1067)	 multi-washer (6) (580-1036)		 .5" spacer (540-1057) (4)
 M8 x 15mm (6) (520-1068)	 M8 x 25mm (4) (520-1101)	 M8 x 40mm (4) (520-1152)			

- 1 Insert right leg (R) into base housing (D) as shown in fig. 1.1. Then align holes in right leg with holes in base housing (D). Fasten base housing to right leg using two 3/8-16 x 1.5" bolts (W) and two joint connectors (V).
NOTE: Left and right legs can be identified by looking at the cart from the front.
 Repeat for left side with left leg (S).

fig. 1.1

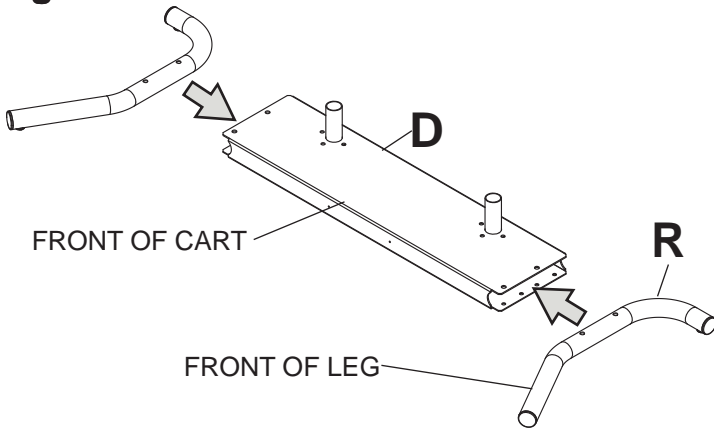
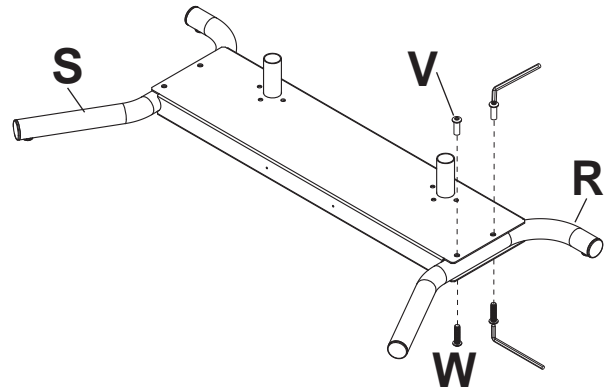
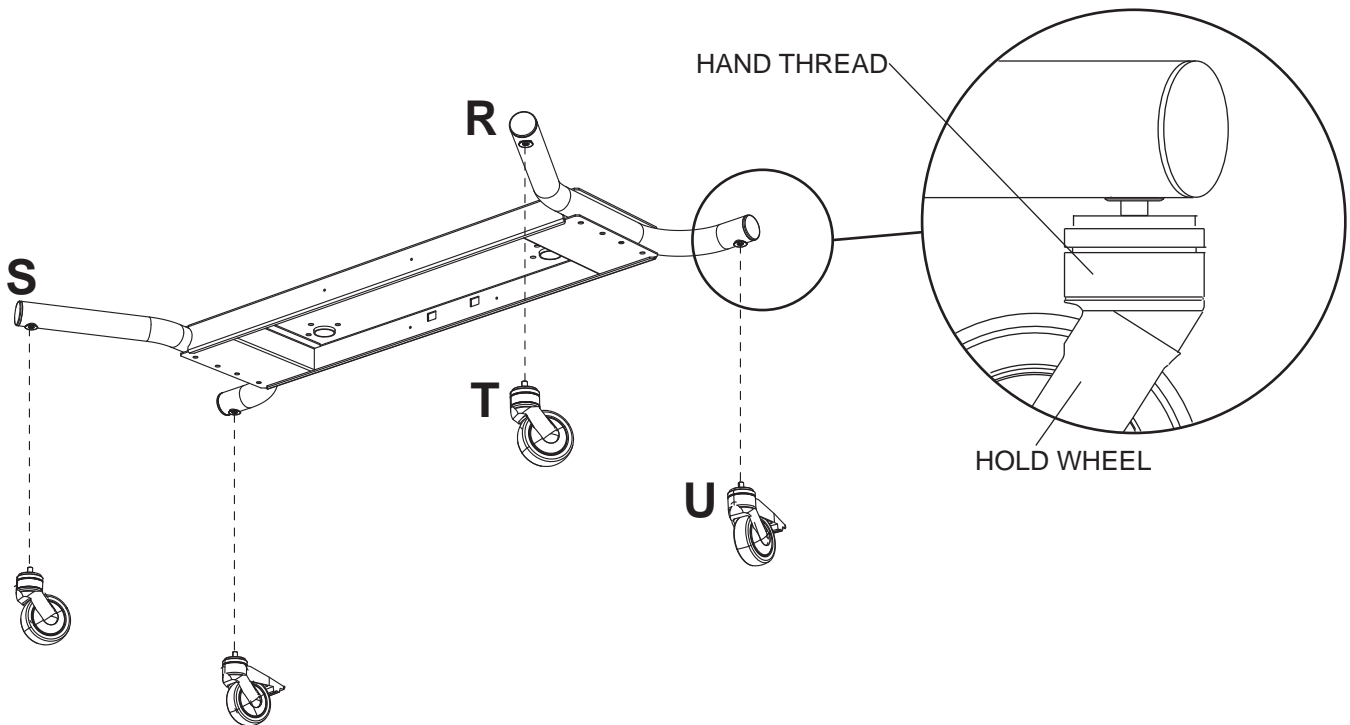


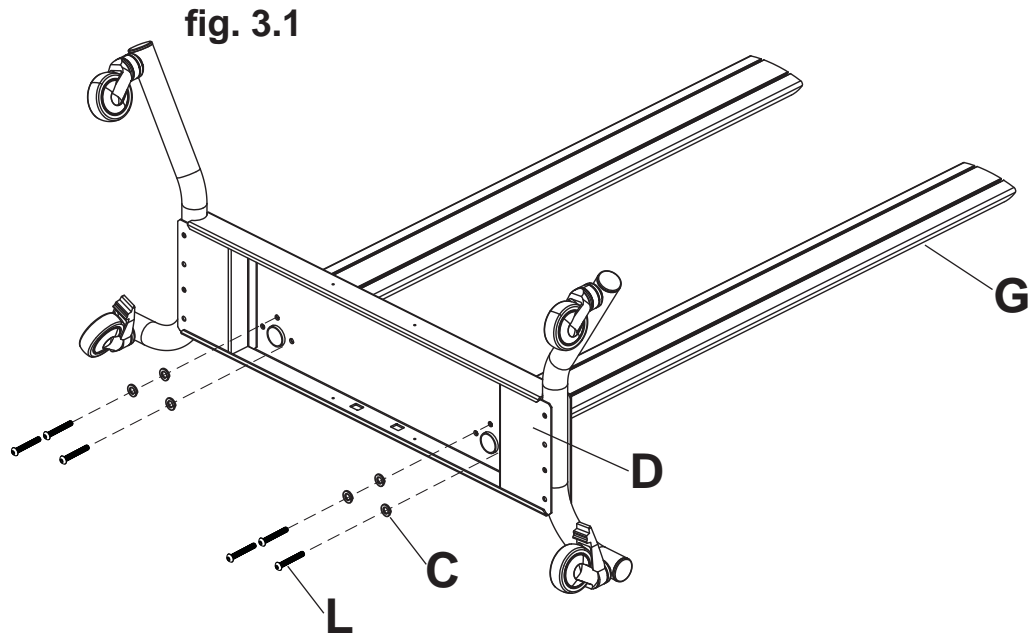
fig. 1.2



- 2 Insert casters (U & T) into holes of support legs (R & S) and hand thread to secure. Attach casters with brake (U) to the back of left and right support legs (R & S). Attach casters without brake (T) to front of support legs as shown.
NOTE: Lock brakes on casters to avoid sudden movements during installation.

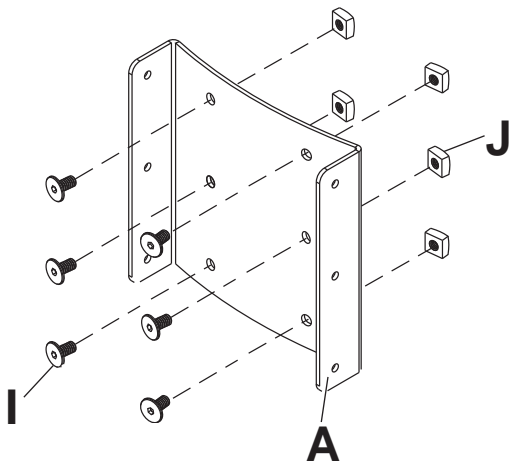


- 3 Attach uprights (G) to base (D), as shown below using six 3/8-16 x 2.5" socket screws (L) and M10 x .402ID lock washers (C). Tighten all screws.



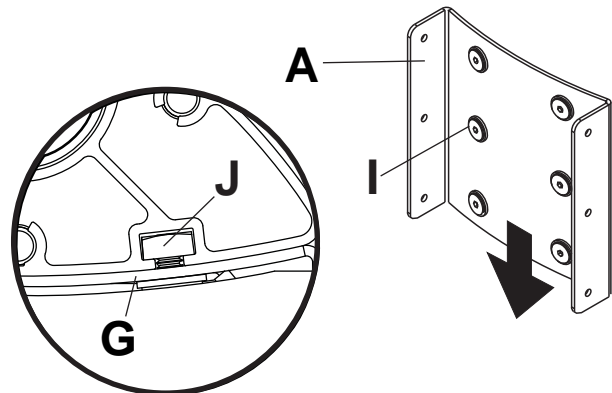
- 4 Loosely attach six 1/4-20 x 12 mm screws (I) and 1/4-20 nuts (J) to mount bracket (A).

Repeat with second mount bracket (A)

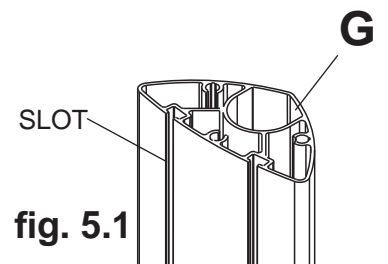


- 5 Slide mount bracket (A) onto upright (G) so that 1/4-20 nuts (J) slide into slots of upright (G) as shown in figure 5.1 and detail 1. Slide display mount bracket to desired position, level, then tighten 1/4-20 x 12 mm screws (I) using 4 mm allen wrench (Q). Repeat with second mount bracket (A).

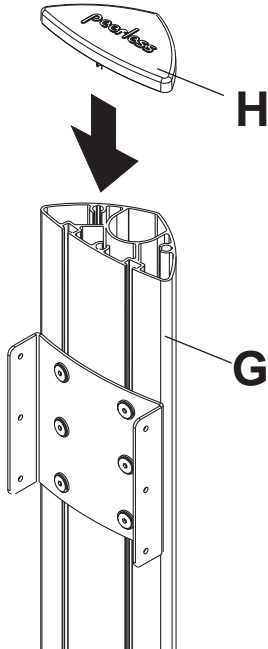
NOTE: Make sure that two mount brackets (A) are level.



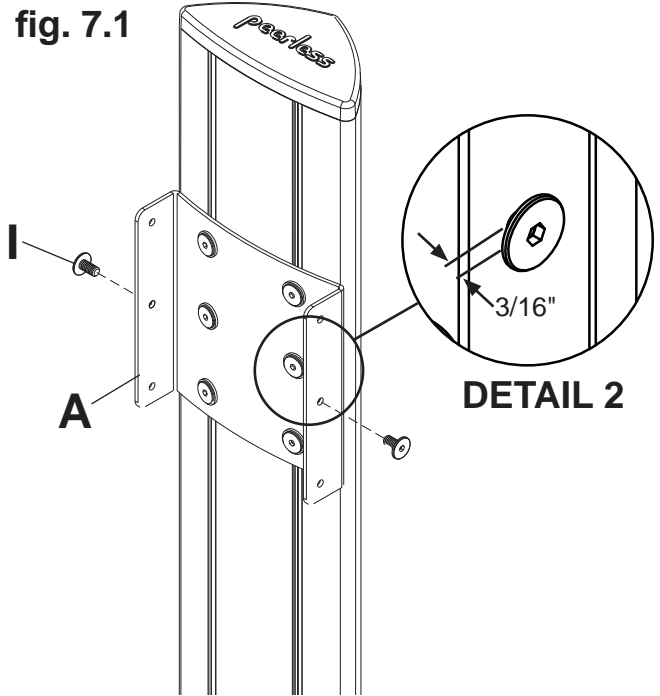
DETAIL 1



- 6 Snap top cover (H) onto upright (G).

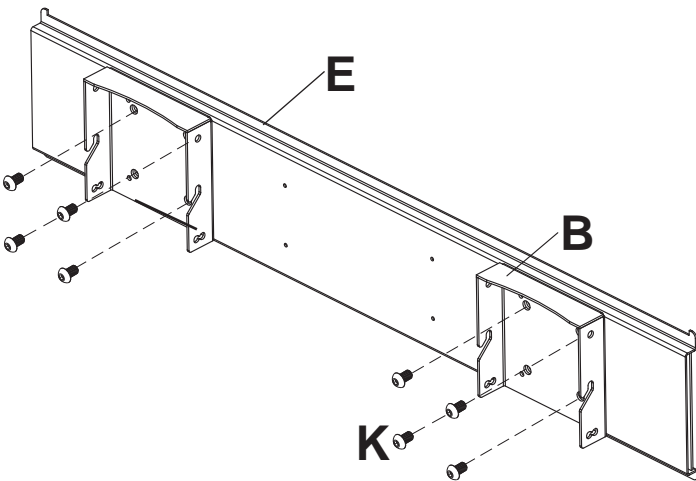


- 7 Insert two 1/4-20 x 12 mm screws (I) into mount bracket (A), leaving 3/16" of exposed thread as shown in figure 7.1 and detail 2.

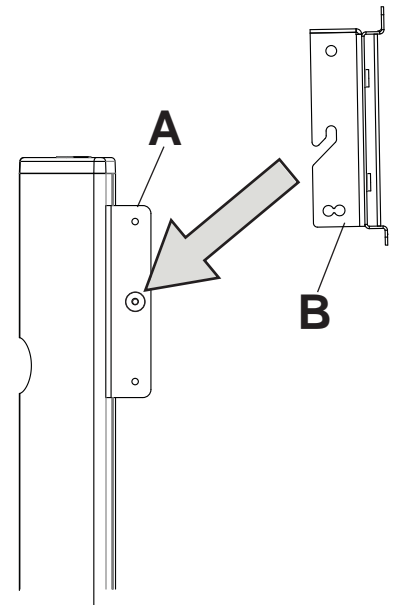


Attaching Universal Adapter Plate

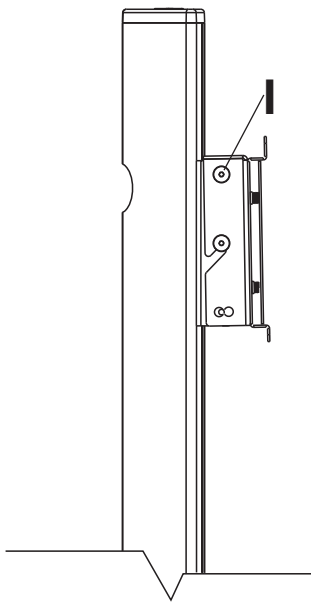
- 8 Attach one universal plate (E) to two hook plates (B) using eight M10 x 15 mm socket screws (K). Tighten screws using 6 mm allen wrench (N).



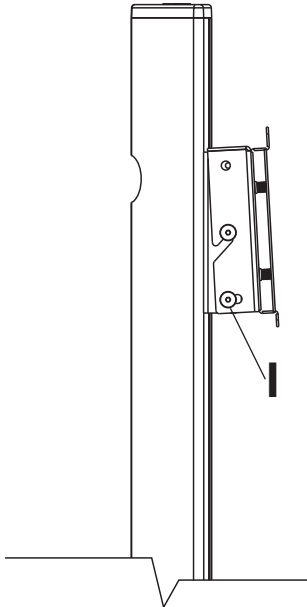
- 9 Attach hook plate (B) to mount bracket (A).



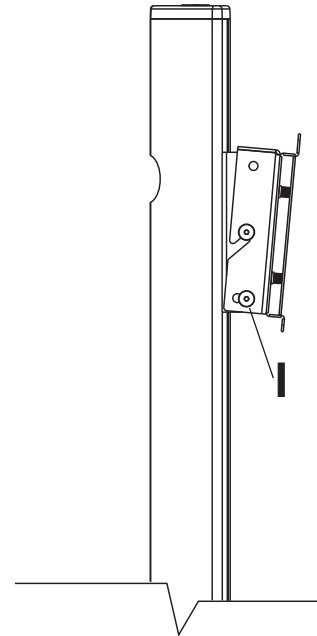
10 Insert two 1/4-20 x 12 mm screws (I) into holes indicated below for desired display orientation. Tighten all screws using 4 mm allen wrench (Q).



No Tilt



2° Backward Tilt



5° Forward Tilt

Installing Adapter Brackets

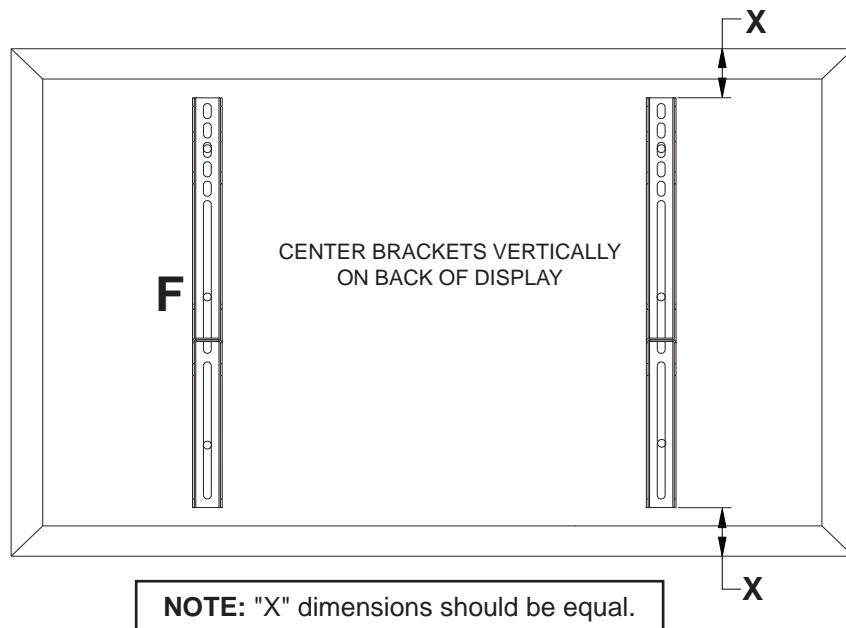
⚠ WARNING

- Tighten screws so adapter brackets are firmly attached. Do not tighten with excessive force. Overtightening can cause stress damage to screws, greatly reducing their holding power and possibly causing screw heads to become detached. Tighten to 40 in. • lb (4.5 N.M.) maximum torque.
- If screws don't get three complete turns in the display inserts or if screws bottom out and bracket is still not tightly secured, damage may occur to display or product may fail.

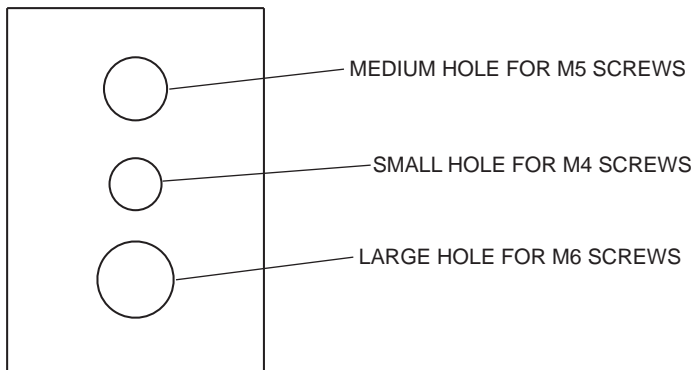
- 11** To prevent scratching the display, set a cloth on a flat, level surface that will support the weight of the display. Place display face side down. If display has knobs on the back, remove them to allow the adapter brackets to be attached. Place adapter brackets (**F**) on back of display, align to holes, and center on back of display as shown below. Attach the adapter brackets to the back of the display using the appropriate combination of screws, multi-washers, and spacers as shown in figure 11.1 or 11.2.

NOTE: Top and bottom holes on display must always be used.

Verify that all holes are properly aligned, and then tighten screws using a phillips screwdriver.



MULTI-WASHER



Notes:

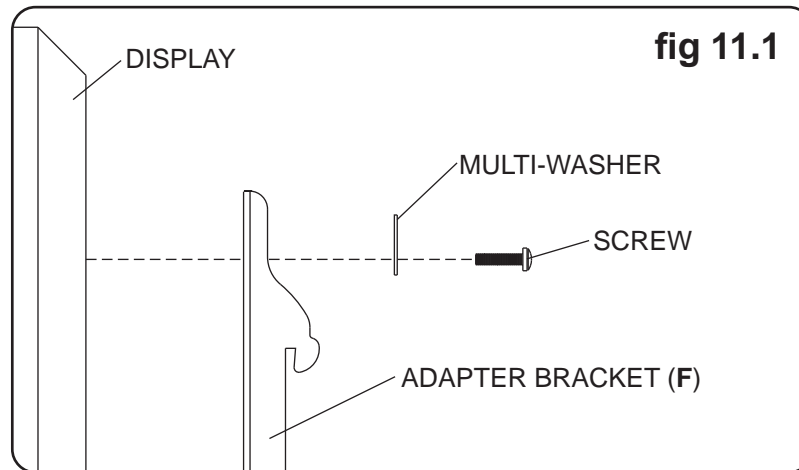
- The number of fasteners used will vary, depending upon the type of display.
- Multi-washers and spacers may not be used, depending upon the type of display.
- Use the corresponding hole in the multi-washer that matches your screw size as shown.

NOTE: For **flat back displays** proceed to step 11-1. For **bump-out or recessed back display** skip to step 11-2.

For Flat Back Display

11-1 Begin with the shortest length screw, hand thread through multi-washer and adapter bracket (F) into display as shown below. Screw must make at least three full turns into the mounting hole and fit snug into place. Do not over tighten. If screw cannot make three full turns into the display, select a longer length screw from the baffled fastener pack. Repeat for remaining mounting holes, level brackets and tighten screws.

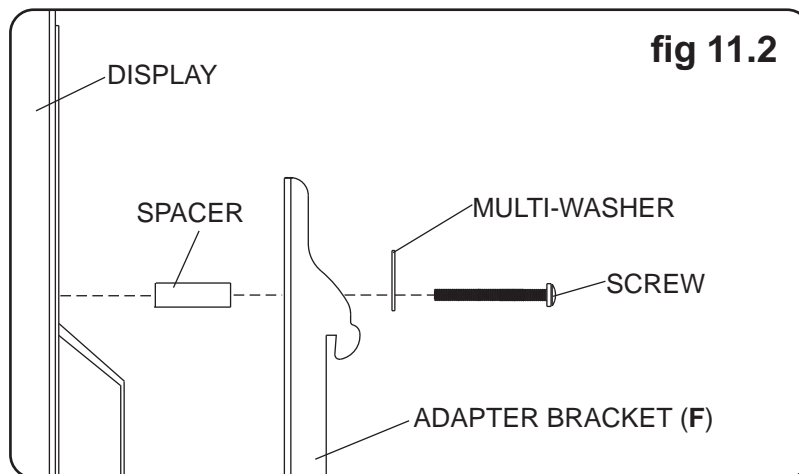
NOTE: Spacers may not be used, depending upon the type of display.



If you have any questions, please call Peerless customer care at **1-800-865-2112**.

For Bump-out or Recessed Back Display

11-2 Begin with longer length screw, hand thread through multi-washer, adapter bracket (F) and spacer in that order into display as shown below. Screw must make at least three full turns into the mounting hole and fit snug into place. Do not over tighten. If screw cannot make three full turns into the display, select a longer length screw from the baffled fastener pack. Repeat for remaining mounting holes, level brackets and tighten screws.



If you have any questions, please call Peerless customer care at **1-800-865-2112**.

Mounting and Removing Flat Panel Display

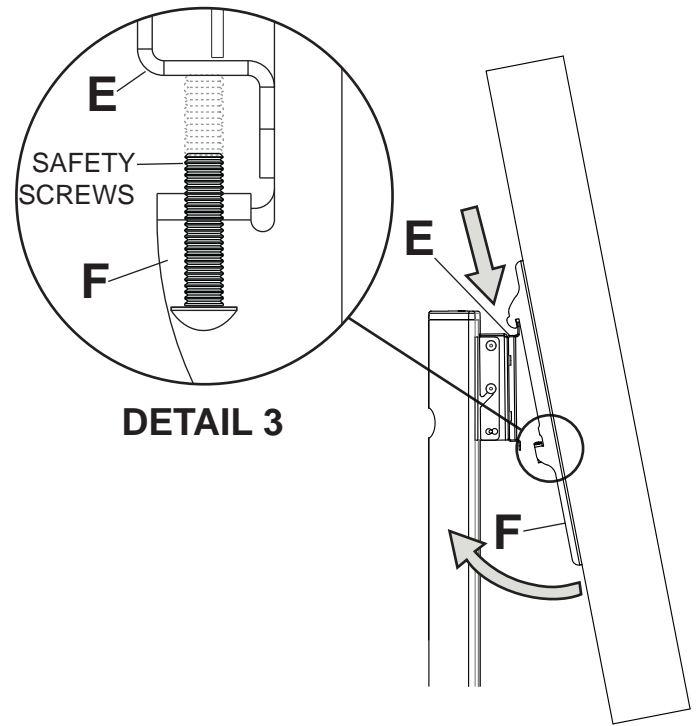
⚠ WARNING

- Always use an assistant or mechanical lifting equipment to safely lift and position the flat panel display.

12 Hook adapter brackets (F) onto universal plate (E), then slowly swing display in as shown. Turn safety screws, using security allen wrench (Q), clockwise at least six times to prevent display from being removed as shown in detail 3.

NOTE: To lock the display down, tighten safety screws to wall plate as shown in cross section.

To remove display from mount, loosen safety screws, swing display away from mount, and lift display off of mount.



CAUTION

- Do not tighten screws with excessive force. Overtightening can cause damage to mount. Tighten screws to 40 in. • lb (4.5 N.M.) maximum torque.

LIMITED FIVE-YEAR WARRANTY

Peerless Industries, Inc. ("Peerless") warrants to original end-users of Peerless® products will be free from defects in material and workmanship, under normal use, for a period of five years from the date of purchase by the original end-user (but in no case longer than six years after the date of the product's manufacture). At its option, Peerless will repair or replace, or refund the purchase price of, any product which fails to conform with this warranty.

In no event shall the duration of any implied warranty of merchantability or fitness for a particular purpose be longer than the period of the applicable express warranty set forth above. Some states do not allow limitations on how long an implied warranty lasts, so the above limitation may not apply to you.

This warranty does not cover damage caused by (a) service or repairs by the customer or a person who is not authorized for such service or repairs by Peerless, (b) the failure to utilize proper packing when returning the product, (c) incorrect installation or the failure to follow Peerless' instructions or warnings when installing, using or storing the product, or (d) misuse or accident, in transit or otherwise, including in cases of third party actions and force majeure.

In no event shall Peerless be liable for incidental or consequential damages or damages arising from the theft of any product, whether or not secured by a security device which may be included with the Peerless® product. Some states do not allow the exclusion or limitation of incidental or consequential damages, so the above limitation or exclusion may not apply to you.

This warranty is in lieu of all other warranties, expressed or implied, and is the sole remedy with respect to product defects. No dealer, distributor, installer or other person is authorized to modify or extend this Limited Warranty or impose any obligation on Peerless in connection with the sale of any Peerless® product.

This warranty gives specific legal rights, and you may also have other rights which vary from state to state.



© 2012 Peerless Industries, Inc.



205 Westwood Ave, Long Branch, NJ 07740
Phone: 866-94 BOARDS (26273) / (732)-222-1511
Fax: (732)-222-7088 | E-mail: sales@touchboards.com