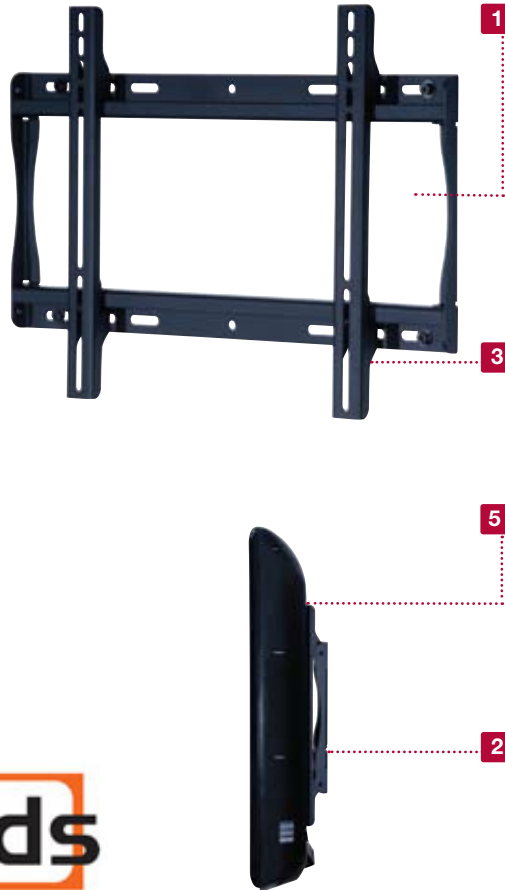


SmartMount® Universal Flat Wall Mount

For 23" to 46" Flat Panel Screens



1. Open wall plate design allows for total wall access, increasing electrical and cable management options
2. Low-profile design holds screen only 1.2" (30mm) from the wall
3. Easy-glide bracket design ensures screen is securely attached to wall plate
4. Horizontal screen adjustment up to 6" (152mm) for centering screen on wall
5. Universal screen adapters easily hook onto wall plate for fast installation
6. Fits screens with mounting hole patterns up to 17.73"W and 12.94"H (450 x 329mm)

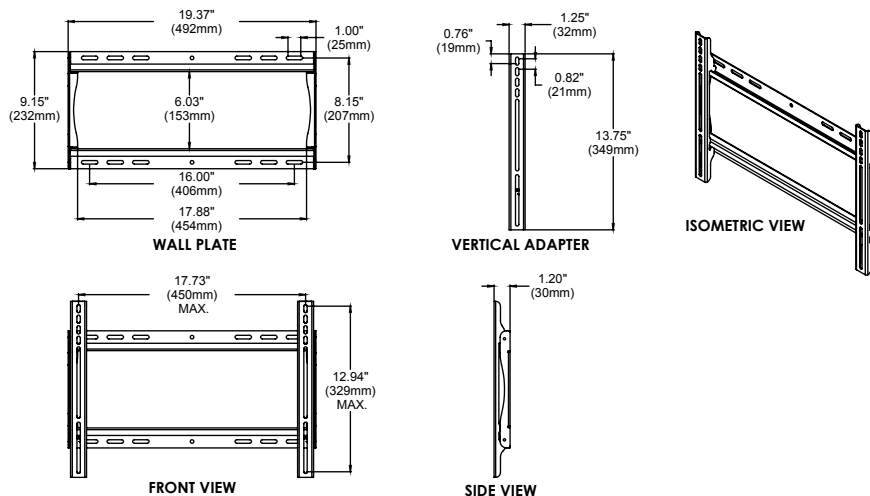


Touchboards

205 Westwood Ave, Long Branch, NJ 07740
 Phone: 866-94 BOARDS (26273) / (732)-222-1511
 Fax: (732)-222-7088 | E-mail: sales@touchboards.com

For expanded product information and technical data visit www.peerlessmounts.com

TECHNICAL DRAWINGS



MODELS

Universal Models:

Includes theft resistant hardware for attaching screen to mount	
SF640	Black
SF640-S	Silver
Includes standard hardware (hex or Phillips) for attaching screen to mount	
SF640P	Black
SF640P-S	Silver

SCREEN ADAPTER



Mounting pattern

Universal Models: 17.73" W x 12.94" H (450 x 329mm)

Many 42" Plasma TVs have mounting hole patterns larger than dimensions above. Use MountFinder™ to verify mount compatibility.



VESA® pattern

Universal Models: Up to 400 x 300mm

SPECIFICATIONS



Distance from wall

1.2" (30mm)



Max load

150lb (68kg)

Product Dimensions

(W x H x D)
 19.37" x 13.75" x 1.2"
 (492 x 349 x 30mm)

Mounting Surfaces

Wood stud, concrete, cinder block and metal stud (Metal stud accessory required)

Ship Weight

5.7lb (2.58kg)

CERTIFICATIONS



ACCESSORIES



ACC415:
 4-pack Metal Stud Fastener Kit pg# 154



ACC309:
 Video Conference Shelf pg# 129