

SF660 / SF660-S  
SF660P / SF660P-S

# SmartMount® Universal Flat Wall Mount for 37" to 63" Flat Panel Screens

The new SF660 delivers enhanced screen compatibility, accommodating large flat panel screens, including those with VESA® 800 x 400mm hole pattern. Its open wall plate architecture allows for enhanced electrical access and cable management, as well as screen placement flexibility to achieve the perfect installation. This ultra-slim mount is the ultimate in low-profile applications for 37" to 63" flat panel screens.



Screen size: 37"-63"



Max load: 200lb (90kg)

## FEATURES

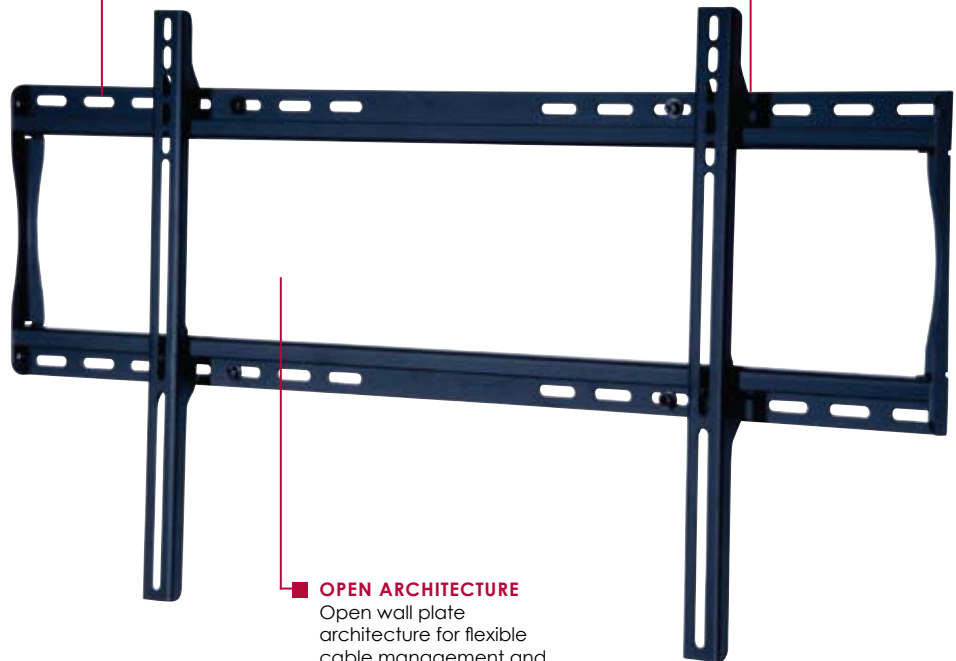
- Universal mount fits screens with mounting patterns up to 32.48" W x 17.05" H (825 x 433mm)
- Increased screen compatibility includes VESA® 800 x 400mm mounting hole patterns
- Open wall plate architecture allows for total wall access, increasing electrical access and cable management options
- Low-profile design holds screen only 1.25" (32mm) from the wall for a low-profile application
- Includes deep screen adapters to hold screen 1.7" (43mm) from wall for easier cable management access
- Horizontal screen adjustment of up to 8" (203mm) (depending on screen model) for perfect screen placement
- Universal brackets easily hook onto wall plate for fast installation
- Mounts to wood studs, concrete, cinder block or metal studs (metal stud accessory required)
- Comes with Peerless' Sorted-for-You™ fastener pack with all necessary screen attachment hardware
- Integrated security options available
- UL listed

### VIEWING FLEXIBILITY

Horizontal screen adjustment up to 8" (203mm) for perfect screen positioning

### EASY INSTALLATION

Simple hook-on design makes installation safe, quick and easy



### OPEN ARCHITECTURE

Open wall plate architecture for flexible cable management and wall placement



Low-profile design holds screen only 1.25" (32mm) from the wall

# Touchboards

205 Westwood Ave, Long Branch, NJ 07740  
Phone: 866-94 BOARDS (26273) / (732)-222-1511  
Fax: (732)-222-7088 | E-mail: sales@touchboards.com

peerless®



# Model Numbers

**WARRANTY:** Limited 5-year

<b>SF660(-S)</b>	Universal Flat Wall Mount for 37" to 63" Flat Panel Screens - security models
<b>SF660P(-S)</b>	Universal Flat Wall Mount for 37" to 63" Flat Panel Screens - standard models

## Product Specifications

	DIMENSIONS (W x H x D)	PRODUCT WEIGHT	LOAD CAPACITY	FINISH	AVAILABLE COLORS
<b>SF660(P)(-S)</b>	34.12" x 18" x 1.25" (867 x 457 x 32mm)	6.76lb (3kg)	200lb (90.7kg)	Scratch resistant fused epoxy	SF660(P): Black SF660(P)-S: Silver

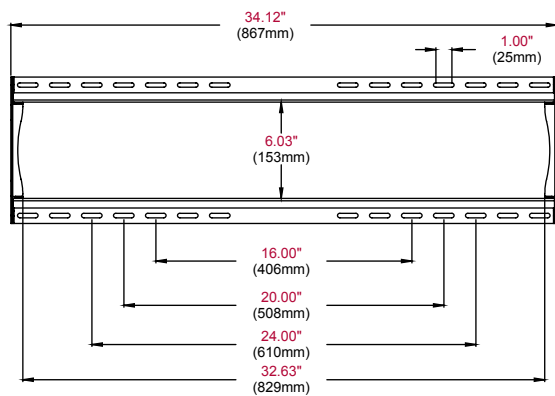
## Package Specifications

	PACKAGE SIZE (W x H x D)	PACKAGE SHIP WEIGHT	PACKAGE UPC CODE	PACKAGE CONTENTS	UNITS IN PACKAGE
<b>SF660(P)(-S)</b>	35.25" x 10.06" x 3.5" (895 x 256 x 89mm)	9.4lb (4.26kg)	SF660: 735029235590 SF660-S: 735029235620 SF660P: 735029235644 SF660P-S: 735029235637	Wall plate, universal brackets, mounting and screen attachment hardware	1

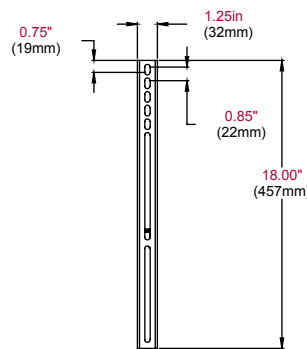
## Accessories

<b>ACC415:</b>	4-pack Metal Stud Fastener Kit
<b>ACC309:</b>	Video Conference Shelf

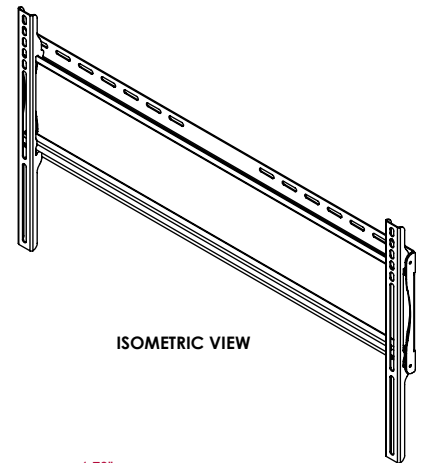
All dimensions = inch (mm)



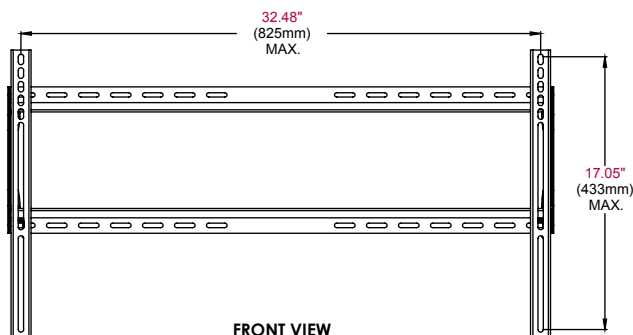
WALL PLATE



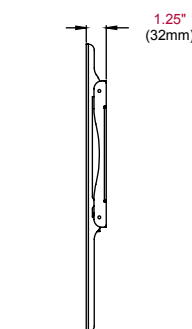
VERTICAL ADAPTER



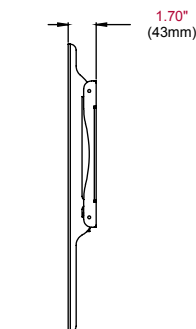
ISOMETRIC VIEW



FRONT VIEW



SIDE VIEW SHALLOW ADAPTER



SIDE VIEW DEEP ADAPTER

## ARCHITECTS SPECIFICATIONS

The Smartmount® Universal Flat Wall Mount shall be a Peerless model SF660 and shall be located where indicated on the plans. It shall be constructed of heavy gauge cold rolled steel and finished with scratch resistant Black or Silver Fused Epoxy. Assembly and installation shall be done according to instructions provided by the manufacturer.