

## Wireless Short Throw Projector AV System

For Short Throw Projectors up to 25lb (11kg)

- CLEAN AESTHETICS**  
Internal cable management for a clean, clutter-free appearance
- EXTENSIVE COMPATIBILITY**  
Three adjustable arm lengths accommodate virtually any short throw projection distance
- PRECISE IMAGE ALIGNMENT**  
PRG-UNV Precision Gear Projector Mount provides secure, easy-to-use image alignment settings
- ENHANCED AUDIO**  
Integrated co-axial speakers provide crisp, clear audio reproduction
- AMPLIFIED SOUND**  
Powerful amplifier with wireless volume control, fills almost any room size with sound
- WIRELESS CONNECTIVITY**  
HD Flow™ Pro Wireless Multimedia Kit allows up to 5 inputs and streams in Full HD 1080p up to 131ft (40m) from source devices

Also available in black

HD Flow™ Pro Wireless Multimedia Kit Included

Dedicated 9" x 9" x 2" (229 x 229 x 51mm) compartment and security bracket provided to secure optional wireless microphone receiver



### Features

- 5-1/4" woofers with 1" post tweeters offer ideal frequency response for AV content as well as spoken voice
- 25W x 2 class-D Amplifier features AV and microphone inputs with gain adjustment, treble/base/balance adjustments, stereo/mono bridging, and wireless remote control
- Connect up to 5 input devices, and stream Full HD 1080p up to 131ft (40m) from source devices
- Wireless remote controls for Receiver and Amplifier are included for cable-free convenience
- Three adjustable arm lengths from 18.04" to 64.31" (458 to 1633mm) to accommodate short throw projection distances
- Removable cover includes security hardware, steel skeleton, acrylic skin, and easy-clean speaker grills
- All electronics are protected by security brackets to safeguard from theft
- Up to 3" left or right horizontal adjustment after installation for perfect projector image positioning
- Up to 3-degrees of vertical adjustment can be made to compensate for sag in arm or wall
- High Speed HDMI cable with Ethernet [6.6' (2m)] is included to connect Receiver to digital display; 3.5mm stereo cable also included to connect Receiver to Amplifier
- Surge protector to power and protect all equipment within enclosure is included
- Includes PRG-UNV projector mount offering:
  - ±20° Tilt
  - ±10° Roll
  - 360° Swivel

Peerless-AV takes professional short throw installations to a whole new level with its Wireless Short Throw Projector AV System. Featuring the convenience of wireless connectivity, along with the integration of amplified stereo sound, this unique system fully enriches any classroom, meeting room or training experience. The built-in HD Flow™ Pro Wireless Multimedia Kit streams video content in Full HD 1080p. Up to five audio-visual input devices can be connected such as a PC, laptop, DVD or Blu-Ray player, MP3 player, with source switching at the press of a button. Rich audio reproduction is powered by a class-D amplifier with wireless volume control and the ability to mix AV content with a microphone signal. This state-of-the-art short throw projector AV system offers quick and easy installation, fine-adjustment features, and plug-and-play wireless setup. Gone is the need to send AV signals via cables through walls and ceilings. Simply stream it.

Visit [peersound.peerless-av.com](http://peersound.peerless-av.com) to use the **Projector Throw Distance Calculator** to find the optimum Projector AV System.



<b>WL-AU-PST600(-W)</b>	Wireless Short Throw Projector AV System with arm length up to 24.93" (633mm)
<b>WL-AU-PST1200(-W)</b>	Wireless Short Throw Projector AV System with arm length up to 48.55" (1233mm)
<b>WL-AU-PST1600(-W)</b>	Wireless Short Throw Projector AV System with arm length up to 64.31" (1633mm)

## Product Specifications

<b>Part Number</b>	WL-AU-PST600(-W) WL-AU-PST1200(-W) WL-AU-PST1600(-W)
<b>Product Weight</b>	WL-AU-PST600(-W) 43.00lb (19.50kg) WL-AU-PST1200(-W) 46.50lb (21.09kg) WL-AU-PST1600(-W) 48.00lb (21.77kg)
<b>Dimensions (W x H x D)</b>	WL-AU-PST600(-W) 47.21" x 11.06" x 19.44"-26.33" (1199 x 281 x 494-669mm) WL-AU-PST1200(-W) 47.21" x 11.06" x 32.43"-49.95" (1199 x 281 x 824-1269mm) WL-AU-PST1600(-W) 47.21" x 11.06" x 48.18"-65.71" (1199 x 281 x 1224-1669mm)
<b>Max Projector Load</b>	25lb (11.3kg)
<b>Universal Projector Mounting Pattern</b>	Up to 17.63" (448mm)
<b>Tilt</b>	±20°
<b>Roll</b>	±10°
<b>Swivel</b>	360°
<b>Color</b>	WL-AU-PST600/-PST1200/-PST1600 Black WL-AU-PST600-W/-PST1200-W/-PST1600-W White
<b>Mounting Surfaces</b>	Wood stud, metal stud, concrete and other structures (Other structures require accessory)

## Speaker Specifications

<b>Speaker</b>	5-1/4" 2-way speakers with 35W maximum power handling 1" post tweeters 60Hz to 20kHz frequency response 86 dB sensitivity
----------------	--

## Package Specifications

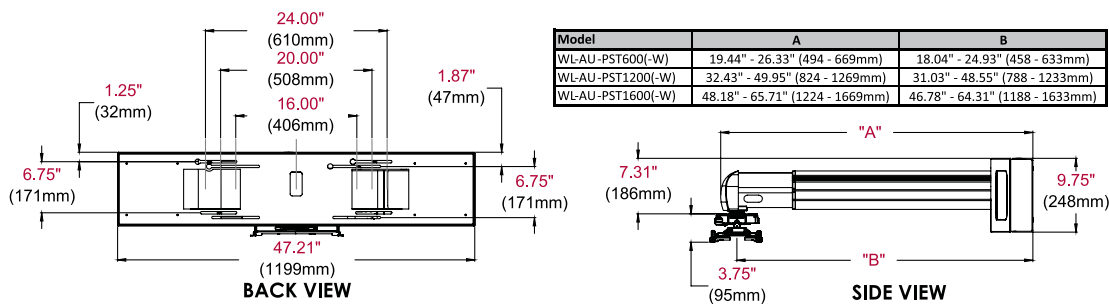
	PACKAGE UPC CODE	PACKAGE CONTENTS	UNITS IN PACKAGE
<b>WL-AU-PST600</b>	735029292197	<ul style="list-style-type: none"> <li>Wall enclosure with integrated speakers</li> <li>Wall enclosure cover</li> <li>Short throw arm</li> <li>Short throw arm cover</li> <li>PRG-UNV Precision Gear Projector Mount</li> <li>HD Flow™ Pro Wireless Multimedia Kit</li> <li>Amplifier</li> <li>3 x Security brackets for electronics</li> </ul>	1
<b>WL-AU-PST600-W</b>	735029292203		
<b>WL-AU-PST1200</b>	735029292210		
<b>WL-AU-PST1200-W</b>	735029292227		
<b>WL-AU-PST1600</b>	735029292234		
<b>WL-AU-PST1600-W</b>	735029292241		

## Accessories

<b>ACC020:</b>	Projector security cable
<b>HDS-ASE:</b>	Security Enclosure for HD Flow™ Pro Wireless Transmitter
<b>HDS200-R:</b>	HD Flow™ Pro Wireless Multimedia Receiver

<b>DE-HD0075B:</b>	Peerless-AV Delta 2.5ft (.75m) Premium High Speed HDMI Cable with Ethernet
<b>DE-HD01B:</b>	Peerless-AV Delta 3.3ft (1m) Premium High Speed HDMI Cable with Ethernet
<b>DE-HD02:</b>	Peerless-AV Delta 6.6ft (2m) Premium High Speed HDMI Cable with Ethernet
<b>DE-HD03:</b>	Peerless-AV Delta 9.8ft (3m) Premium High Speed HDMI Cable with Ethernet

Additional AV and Sound Cable selection available, visit [peerless-av.com](http://peerless-av.com)



## ARCHITECTS SPECIFICATIONS

The Wireless Short Throw Projector AV System shall be a Peerless-AV model WL-AU-PSTA600/1200/1600(-W) and shall be located where indicated on the plans. Assembly and installation shall be done according to instructions provided by the manufacturer.

Peerless-AV ■ 2300 White Oak Circle ■ Aurora, IL 60502 ■ (800) 865-2112 ■ (630) 375-5100 ■ Fax: (800) 359-6500 ■ [peersound.peerless-av.com](http://peersound.peerless-av.com)

Visit [peerless-av.com](http://peerless-av.com) to see the complete line of AV solutions from Peerless-AV, including wireless devices, interactive devices, flat panel mounts, projector mounts, carts/stands, furniture, cables, screen cleaners and a full assortment of accessories.

© 2012 Peerless Industries, Inc. All rights reserved. Peerless-AV® is a registered trademark and PeerSound™ is trademark of Peerless Industries, Inc. HD Flow is a trademark of I Do It, LTD. Other parties' marks are the property of their respective owners.



205 Westwood Ave, Long Branch, NJ 07740  
Phone: 866-94 BOARDS (26273) / (732)-222-1511  
Fax: (732)-222-7088 | E-mail: [sales@touchboards.com](mailto:sales@touchboards.com)