

YBFTMU

Universal Fixed Tilt Wall Mount for 23" to 46" Flat Panel Displays

The unique single rail design of the YBFTMU makes it the fastest and easiest mount to install yet. Simply hook the display on to the single-rail wall plate to simultaneously set the tilt angle and secure it. Its patent-pending safety hooks prevent the display from accidentally being dislodged, delivering a peace-of-mind with every installation. Its simplistic design and functionality provide the ultimate in value.



Display size: 23"-46"



Max load: 100lb (45kg)

FEATURES

- Universal mount fits displays with mounting hole patterns up to 453 x 329mm (17.85" x 12.94")
- Integrated tilt feature with fixed angles of 0°, 2°, 5° and 10° for increased functionality and viewing flexibility
- Low-profile design holds display only 1.7" (43mm) from the wall for a clean application
- Easy-glide brackets easily hook onto wall plate for a simple, safe and quick installation
- Safety tabs ensures display is securely attached to wall plate
- Horizontal display adjustment of up to 6" (depending on display model) for perfect display placement
- Mounts to wood studs, concrete, cinder block or metal studs (metal stud accessory required)
- Comes with fastener pack with all necessary display attachment hardware
- UL listed

CLOSE TO THE WALL

Low-profile design keeps display 1.7" (43mm) from the wall

VIEWING FLEXIBILITY

Horizontal display adjustment up to 6" (152mm) for perfect display positioning

EASY INSTALLATION

Universal brackets easily hook onto wall plate for fast installation

PEACE OF MIND

Safety tab ensures display is securely attached to wall plate



TILT ANGLE OPTIONS



Touchboards

205 Westwood Ave, Long Branch, NJ 07740
Phone: 866-94 BOARDS (26273) / (732)-222-1511
Fax: (732)-222-7088 | E-mail: sales@touchboards.com



RoHS



peerless-AV™

Model Numbers

WARRANTY: Limited 5-year

YBFTMU Universal Fixed Tilt Wall Mount for 23" to 46" Flat Panel Displays

Product Specifications

	DIMENSIONS (W x H x D)	PRODUCT WEIGHT	LOAD CAPACITY	FINISH	AVAILABLE COLORS
YBFTMU	19.25" x 13.76" x 1.70"-2.68" (489 x 350 x 43-68mm)	3.40lb (1.54kg)	100lb (45kg)	Powder Coat	Black

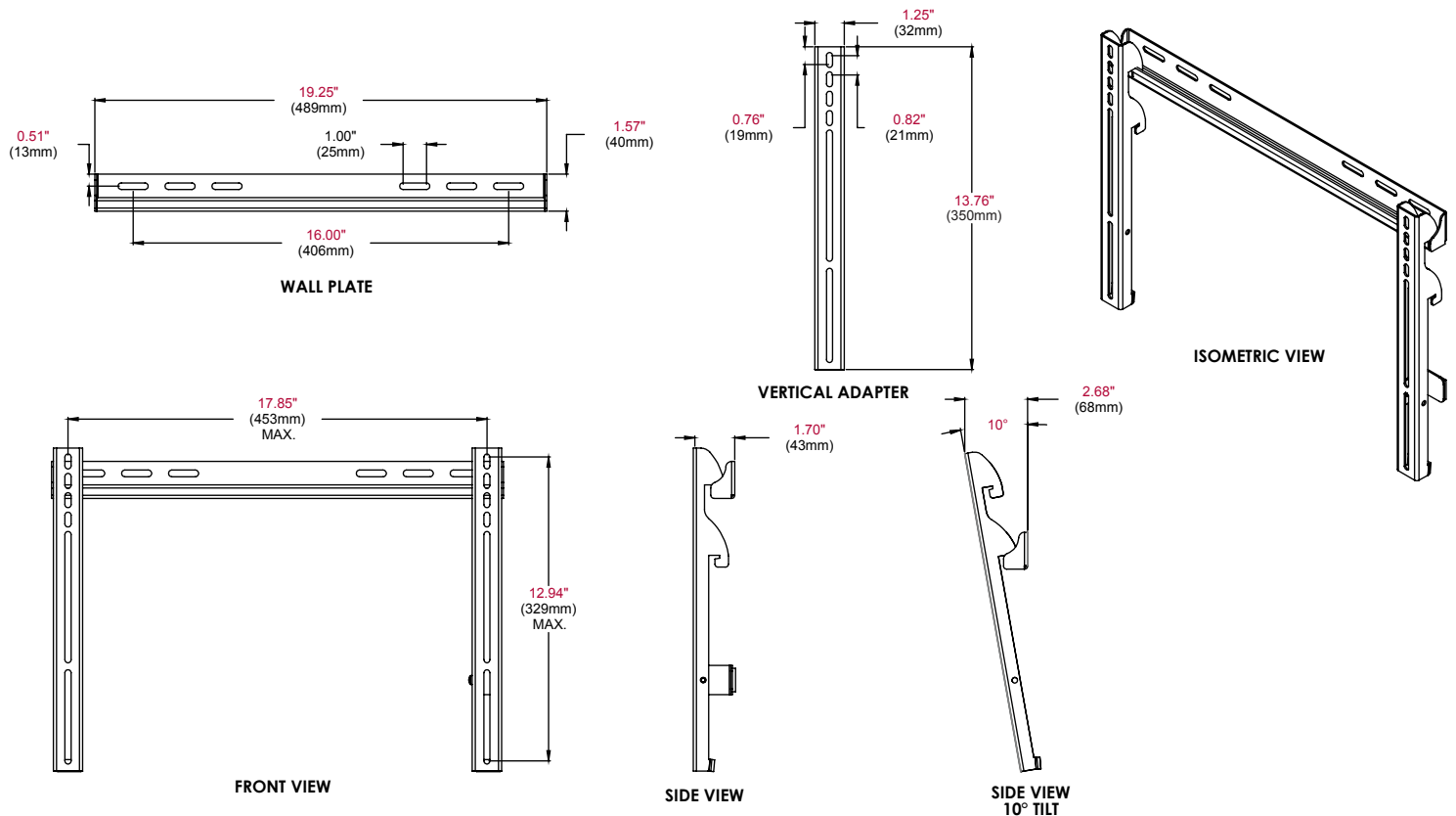
Package Specifications

	PACKAGE SIZE (W x H x D)	PACKAGE SHIP WEIGHT	PACKAGE UPC CODE	PACKAGE CONTENTS	UNITS IN PACKAGE
YBFTMU	4.5" x 2" x 20.5" (114 x 51 x 521mm)	3.80lb (1.72kg)	735029284369	Wall plate, universal brackets, mounting and display attachment hardware	1

Accessories

ACC215: 2-pack Metal Stud Fastener Kit

All dimensions = inch (mm)



ARCHITECTS SPECIFICATIONS

The Universal Fixed Tilt Wall Mount shall be a Peerless-AV model YBFTMU and shall be located where indicated on the plans. Assembly and installation shall be done according to instructions provided by the manufacturer.