

YBP100

VESA® 100mm Pivot Wall Mount for 10"-26" Flat Panel Displays

The YBP100 is simple to swing out and position into the ideal viewing angle and then retract back to the wall to save space. The tilt can effortlessly be adjusted without the use of tools and the roll enables the display to quickly be leveled at any time, even after installation. With integrated cable management, cords and cables are neatly organized and never in the way, even when extending and retracting the display.



FEATURES

- Extends 7.43" (189mm) from the wall
- Retracts to 3.16" (80mm) to save space
- Integrated cable management keeps cables organized and out of the way
- Tilt mechanism offers +15°/-5° of tilt angle adjustment without the use of tools
- ±5 ° of roll for post-installation display leveling
- ±90° of pivot
- VESA® 75 and 100mm compliant
- UL listed



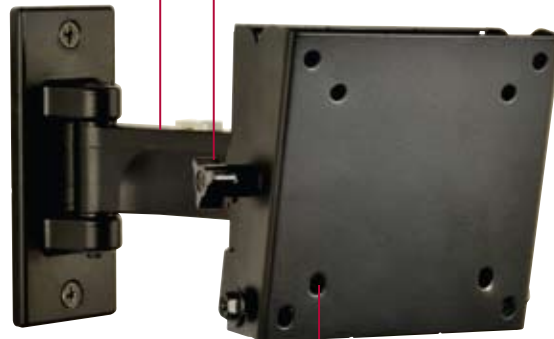
Display size: 10"-26"



Max load: 25lb (11kg)

■ **VIEWING FLEXIBILITY**
Extends up to 7.43" (189mm) from the wall

■ **TOOL-LESS TILT ADJUSTMENT**
Tilt mechanism offers up to +15°/-5° of tilt angle adjustment without the use of tools



■ **STANDARDIZED COMPATIBILITY**
VESA® 75 and 100mm compliant



RoHS
2002/95/EC

MADE IN
USA

Touchboards

205 Westwood Ave, Long Branch, NJ 07740
Phone: 866-94 BOARDS (26273) / (732)-222-1511
Fax: (732)-222-7088 | E-mail: sales@touchboards.com

peerless-AV™

Model Numbers

WARRANTY: Limited 5-year

YBP100	VESA® 75 and 100mm Pivot Wall Mount for 10"-26" Flat Panel Displays
---------------	---

Product Specifications

	DIMENSIONS (W x H x D)	PRODUCT WEIGHT	LOAD CAPACITY	FINISH	AVAILABLE COLORS
YBP100	8.15" x 5.50" x 3.16"-7.43" (207 x 140 x 80-189mm)	2.38lb (1.08kg)	25lb (11kg)	Powder Coat	Black

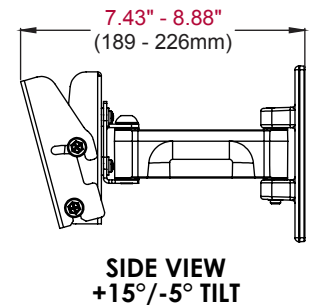
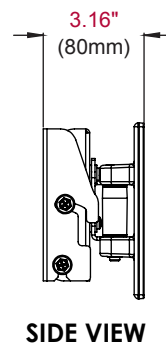
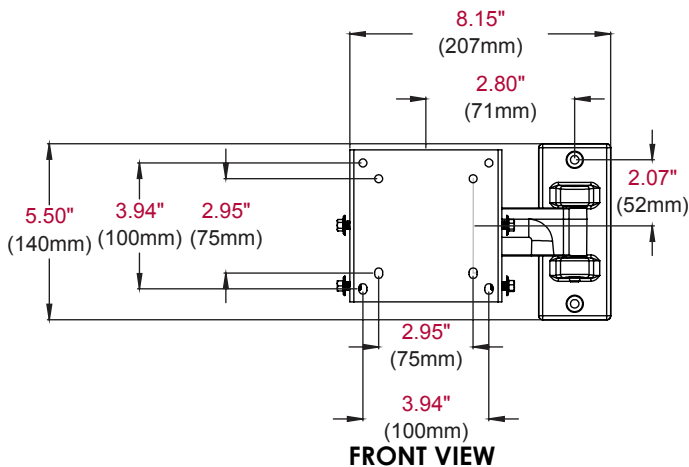
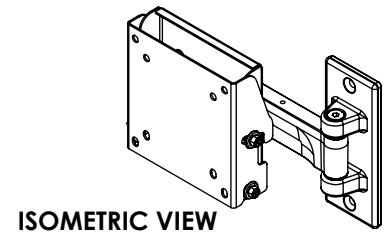
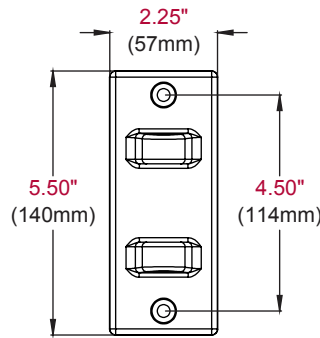
Package Specifications

	PACKAGE SIZE (W x H x D)	PACKAGE SHIP WEIGHT	PACKAGE UPC CODE	PACKAGE CONTENTS	UNITS IN PACKAGE
YBP100	6.5" x 3.25" x 11" (165 x 83 x 279mm)	3.025lb (1.37kg)	735029284291	Wall Mount, Attachment Hardware and Installation Instructions	1

Accessories

YBADP2X1:	VESA® 200 x 100mm Adapter Plates
------------------	----------------------------------

All dimensions = inch (mm)



ARCHITECTS SPECIFICATIONS

The VESA® 75 and 100mm Pivot Wall Mount shall be a Peerless-AV model YBP100 and shall be located where indicated on the plans. Assembly and installation shall be done according to instructions provided by the manufacturer.