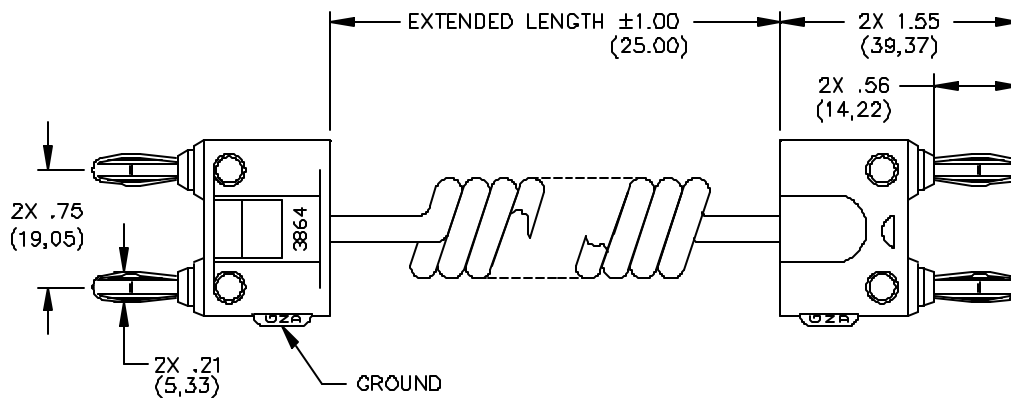


## Model 3864 Double Banana Plug, Each End On Retractable Coiled Cord



### FEATURES:

- Mates to Standard Double Banana Jacks
- Extends to 48, 60 or 72 respectively.

### MATERIALS:

Conn: 1<sup>st</sup> end – Double Banana Plug.

Material: Spring; One piece heat treated Beryllium Copper, Berylco 25 per QQ-C-533.

Plug body; Brass per QQ-B-626, alloy 360, ½ Hard.

Finish: Nickel plated per QQ-N-290, class 2, 200/300 microinches.

Insulation: Polypropylene molded to plug bodies and cable. Color: Black.

Marking: “3864 POMONA ELECTRONICS CO. INC. POMONA CALIFORNIA”.

Wire: Retractable cord; 24 AWG, stranding 45x40 tinned copper, rubber insulation, 4.32 (.170) O.D.

Color: Black.

Conn: 2<sup>nd</sup> end – Same as first end.

### RATINGS: (Entire Assembly)

Operating Temperature.: +50°C. (+122°F.) Max.

Operating Voltage: 270 VDC/90 VAC

### ORDERING INFORMATION: Model 3864-XX

XX=Wire, Standard Lengths: 48” (1219), 60” (1524), 72” (1829)

Ordering Example: 3864-72 is 72” (1829) length fully extended

All dimensions are in inches. Tolerances (except noted): .xx = ±.02” (.51 mm), .xxx = ± .005” (.127 mm).

All specifications are to the latest revisions. Specifications are subject to change without notice.

Registered trademarks are the property of their respective companies. Made in USA