

AM80

Dual Arm Swingout Mount for Flat-Panel Displays up to 80 lb./36 kg

Color:	Black
Weight	24.00 lb. 10.9 kg
Weight Capacity	80 lb. 36.3 kg
Width	24.70 in. 627 mm
Height	17.25 in. 438.2 mm
Depth	4.10 in. 104 mm
Mounting Pattern	75 x 75 (Min) - 600 x 400 (Max) mm
Display Range	37.00 - 47.00 in
Tilt	+15.00° / -15.00°
Rotation	+360°
Swivel	90°

Downloads at Mounts.com



- [Data Sheet](#)
- [Bid Specification Document](#)
- [Installation Manual](#)
- [Dimensional Drawing](#)
- [CAD File](#)
- [High Resolution Image](#)
- BIM FILES**
- [Image file](#)
- [RFA file](#)
- [DGN file](#)
- [DWF file](#)



- 80 lb.
- +17.25
- +15.00°
-15.00°
- 4 in
- 75 x 75 min.
600 x 400 max.
- 37-47 in

DESCRIPTION

The AM80 is a dual arm swingout mount for flat-panel displays up to 80 lb./36 kg. Typically fits displays ranging from 37 - 47 in. or displays with a mounting pattern of 75 x 75mm to 600 x 400mm. It provides 360° degrees of rotation, 90° of swivel, 15° of tilt and extends 17 in. from the wall.

FEATURES

- Extends over 17 in. from the wall
- Universal adapter plate fits patterns up to 600 x 400mm
- 15° of smooth Radial Glide™ tilt
- Cable routing inside arms and through wall plate



Touchboards

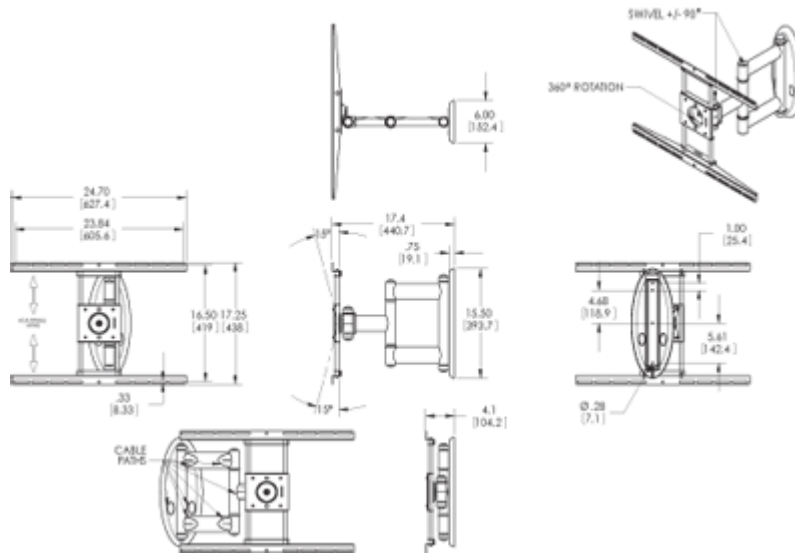
205 Westwood Ave, Long Branch, NJ 07740
Phone: 866-94 BOARDS (26273) / (732)-222-1511
Fax: (732)-222-7088 | E-mail: sales@touchboards.com

PREMIER MOUNTS
CREATING POSITIVE CUSTOMER EXPERIENCES

AM80

Dual Arm Swingout Mount for Flat-Panel Displays up to 80 lb./36 kg

DOWNLOAD FULL SIZE CAD FILES AND DIMENSIONAL DRAWINGS AT MOUNTS.COM



ACCESSORIES FOR AM80



GB-INWAVPB

In-wall A/V and Power GearBox™



INW-AM80

Inwall Box For The AM80 Flat-Panel Mount

MORE AT MOUNTS.COM

SIMILAR PRODUCTS



AM80

Dual Arm Swingout Mount for Flat-Panel Displays up to 80 lb./36 kg



FLIP-B

VESA Swingout Mount for Flat-Panels



LPSA1530

Basic Series Articulating Mount for Flat-Panels up to 50 lb.



AM300

Swingout Mount for Flat-Panels up to 300 lb./136 kg



AM50

Dual Arm Swingout Mount for Flat-Panel Displays up to 50 lb./23 kg



AM300-B

Swingout Mount for Flat-Panels up to 300 lb./136 kg

MORE AT MOUNTS.COM

 **PREMIER MOUNTS**
CREATING POSITIVE CUSTOMER EXPERIENCES

Touchboards

205 Westwood Ave, Long Branch, NJ 07740
Phone: 866-94 BOARDS (26273) / (732)-222-1511
Fax: (732)-222-7088 | E-mail: sales@touchboards.com