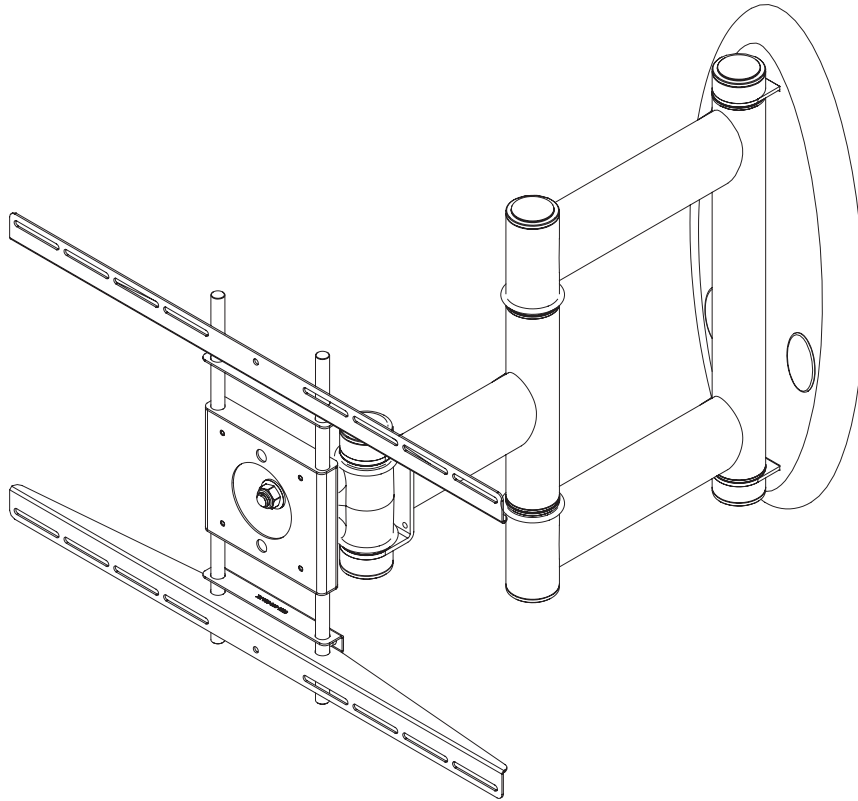


INSTALLATION INSTRUCTIONS



Universal Swingout Arm for 37" to 47" Flat Panels

Model: AM80

Touchboards

205 Westwood Ave, Long Branch, NJ 07740
Phone: 866-94 BOARDS (26273) / (732)-222-1511
Fax: (732)-222-7088 | E-mail: sales@touchboards.com



Contents

| | |
|---|----|
| Weight Limit..... | 2 |
| Warning Statements..... | 2 |
| Installation Tools..... | 3 |
| Parts List..... | 3 |
| Features..... | 5 |
| Installing the Wall Plate..... | 6 |
| Introduction..... | 6 |
| Determining the Mounting Surface..... | 6 |
| Wood Stud Installation..... | 6 |
| Concrete Installation..... | 8 |
| Selecting the Mounting Hardware..... | 9 |
| Selecting the Screws..... | 9 |
| Determining Universal Adapter Usage..... | 9 |
| The Universal Adapter..... | 10 |
| Introduction..... | 10 |
| Assembling the Universal Adapter..... | 10 |
| Universal Washer Installation..... | 11 |
| Attaching the Universal Adapter to the Flat Panel..... | 12 |
| Attaching the Universal Adapter to the Cover Plate..... | 13 |
| Attaching The Flat Panel..... | 14 |
| Finish the Installation..... | 16 |
| Installing the Cover Plate on the Wall Plate..... | 16 |
| Tilt/Pivot Adjustment..... | 16 |
| Tension Adjustment..... | 17 |
| Cable Management..... | 17 |
| Technical Specifications..... | 18 |
| Warranty..... | 19 |

Weight Limit

Maximum Flat Panel Weight: **80 lbs.**

THE WALL STRUCTURE MUST BE CAPABLE OF SUPPORTING AT LEAST FIVE TIMES THE WEIGHT OF THE FLAT PANEL. IF NOT, THE WALL STRUCTURE MUST BE REINFORCED.

Warning Statements



PRIOR TO THE INSTALLATION OF THIS PRODUCT, THE INSTALLATION INSTRUCTIONS MUST BE READ AND COMPLETELY UNDERSTOOD. KEEP THESE INSTALLATION INSTRUCTIONS IN AN EASILY ACCESSIBLE LOCATION FOR FUTURE REFERENCE.



PROPER INSTALLATION PROCEDURE BY A QUALIFIED SERVICE TECHNICIAN MUST BE FOLLOWED, AS OUTLINED IN THESE INSTALLATION INSTRUCTIONS. FAILURE TO DO SO COULD RESULT IN PROPERTY DAMAGE, SERIOUS PERSONAL INJURY, OR EVEN DEATH.



SAFETY MEASURES MUST BE PRACTICED AT ALL TIMES DURING THE ASSEMBLY OF THIS PRODUCT. USE PROPER SAFETY EQUIPMENT AND TOOLS FOR THE ASSEMBLY PROCEDURE TO PREVENT PERSONAL INJURY.



PREMIER MOUNTS DOES NOT WARRANT AGAINST DAMAGE CAUSED BY THE USE OF ANY PREMIER MOUNTS PRODUCT FOR PURPOSES OTHER THAN THOSE FOR WHICH IT WAS DESIGNED OR DAMAGE CAUSED BY UNAUTHORIZED ATTACHMENTS OR MODIFICATIONS, AND IS NOT RESPONSIBLE FOR ANY DAMAGES, CLAIMS, DEMANDS, SUITS, ACTIONS OR CAUSES OF ACTION OF WHATEVER KIND RESULTING FROM, ARISING OUT OF OR IN ANY MANNER RELATING TO ANY SUCH USE, ATTACHMENTS OR MODIFICATIONS.



At least two qualified people should perform the assembly procedure. Personal injury and/or property damage can result from dropping or mishandling the flat panel.



If mounting to wall studs or ceiling studs, make sure that the mounting screws are anchored into the center of the wall studs or ceiling studs. Use of an edge-to-edge stud finder is recommended.



It is recommended that a maximum of 5/8" plaster board be used when mounting to wooden studs.



Be aware of the mounting environment. If drilling and/or cutting into the mounting surface, always make sure that there are no electrical wires in wall. Cutting or drilling into an electrical line may cause serious personal injury.



Make sure there are no water or natural gas lines inside the wall where the mount is to be located. Cutting or drilling into a water or gas line may cause severe property damage or personal injury.



This product is intended for indoor use only. Use of this product outdoors could lead to product failure and/or serious personal injury.



Do not install near sources of high heat. Do not install on a structure that is prone to vibration, movement or chance of impact.


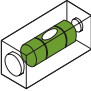
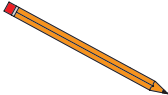






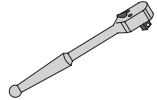


Contact Premier Mounts with any questions:
(800) 368-9700
techsupport@mounts.com



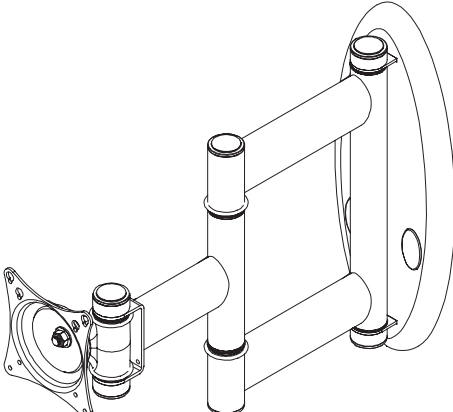

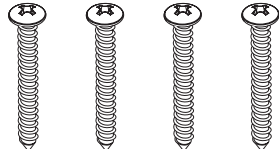
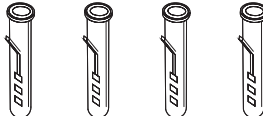
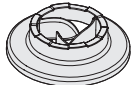

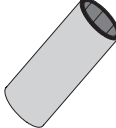
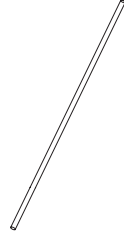
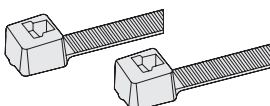

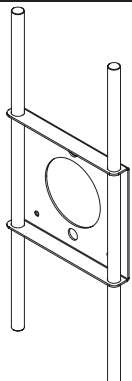
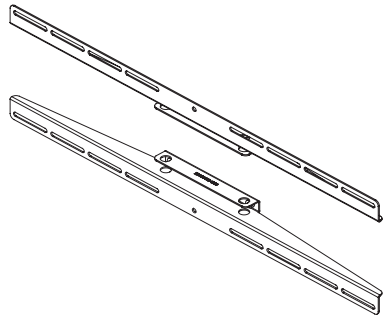
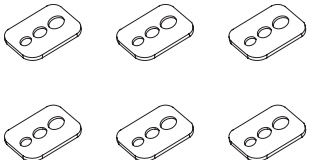
Installation Tools

The following tools may be required, dependent upon your particular installation. These tools are not provided by Premier Mounts, but you can purchase them at your local hardware store.

| | | | | |
|---|--|---|---|--|
|  Electronic Stud Finder |  Level |  Pencil |  Protective Eyewear |  Hand Held Drill |
|  1/8" Drill Bit (Wood) |  5/16" Masonry Drill Bit |  Hammer |  Phillips Head Screwdriver |  Socket Wrench |

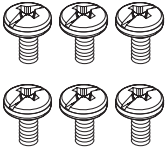
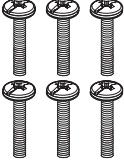
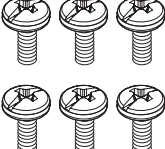
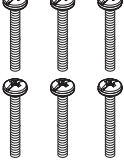
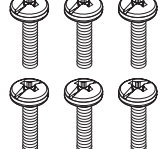

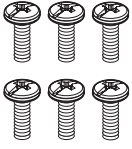
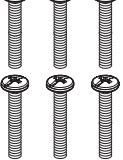
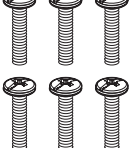

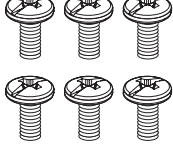
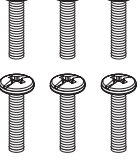
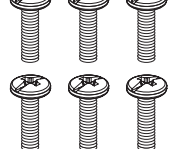

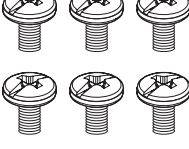
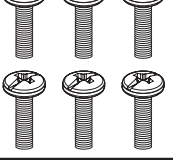
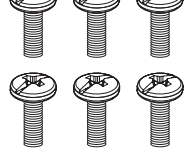
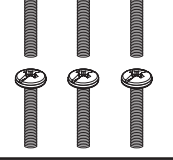
Parts List

Your Premier Mounts product is shipped with all proper installation hardware and components. Make sure that none of these parts are missing and/or damaged before beginning the installation. If there are parts missing and/or damaged, please stop the installation and contact Premier Mounts at 1-800-368-9700.

| AM80 Universal Swingout Arm Assembly Components | | | |
|--|--|---|--|
|  Cover Plate (Qty 1) |  Wall Plate (Qty 1) |  #14 x 2" Wood Screw (Qty 4) | |
| | |  Plastic Wall Anchor (Qty 4) | |
|  Universal Spacer (Qty 30) |  M3 Allen Wrench (Supplied) |  14mm Socket (Supplied) |  Thread Depth Indicator (Supplied) |
|  4" Cable Tie (Qty 2) |  5/32" Allen Wrench (Supplied) | | |
| Universal Adapter Hardware | | | |
|  Adapter Plate (Qty 1) |  Adapter Arm (Qty 2) | |  Universal Washer (Qty 6) |

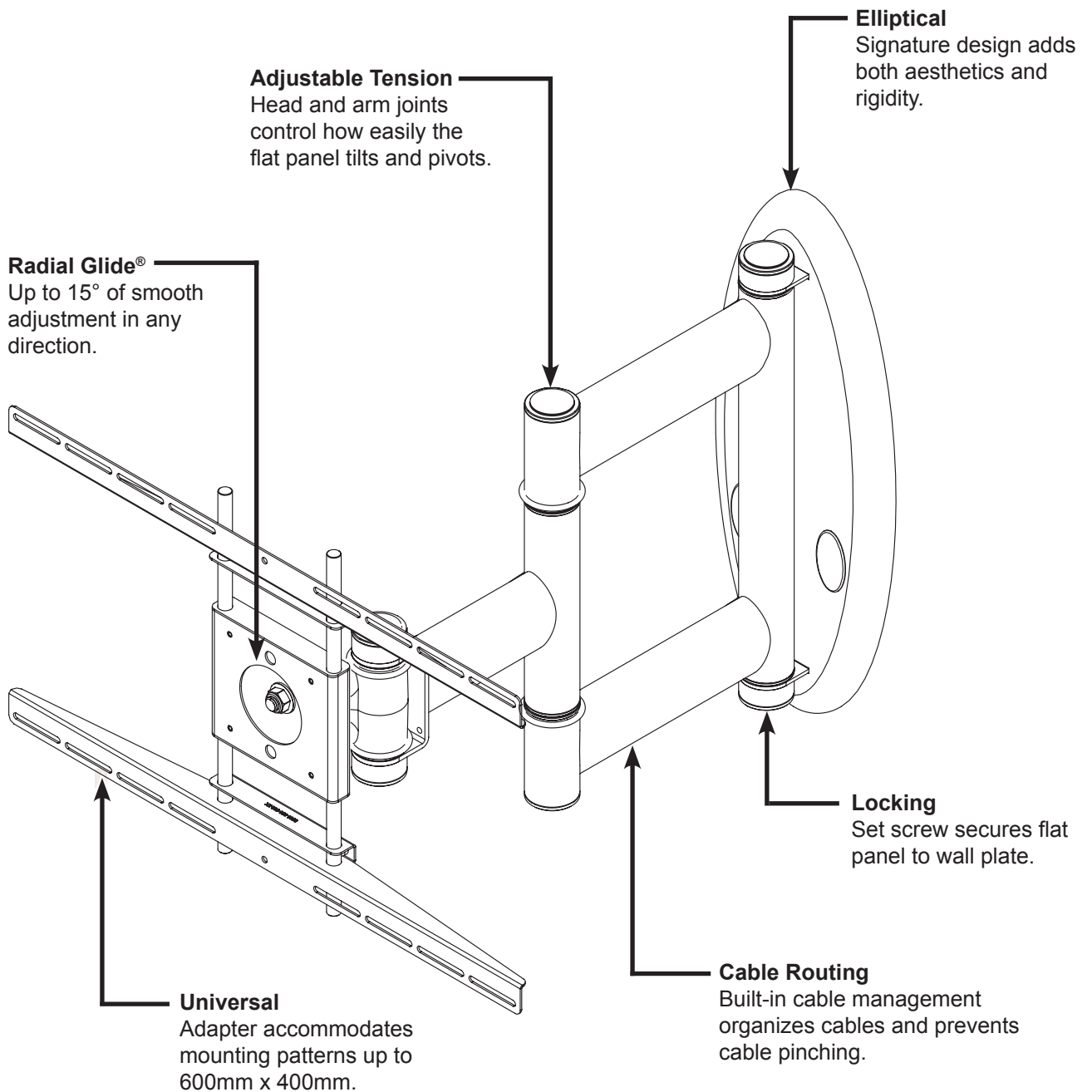


Parts List (cont'd)

| Mounting Hardware | |
|---|---|
| M4 x 8mm Combo Screw (Qty 6)  | M4 x 25mm Combo Screw (Qty 6)  |
| M4 x 10mm Combo Screw (Qty 6)  | M4 x 30mm Combo Screw (Qty 6)  |
| M4 x 16mm Combo Screw (Qty 6)  | M4 x 45mm Combo Screw (Qty 6)  |
| M5 x 16mm Combo Screw (Qty 6)  | M5 x 30mm Combo Screw (Qty 6)  |
| M5 x 25mm Combo Screw (Qty 6)  | M5 x 45mm Combo Screw (Qty 6)  |
| M6 x 16mm Combo Screw (Qty 6)  | M6 x 30mm Combo Screw (Qty 6)  |
| M6 x 25mm Combo Screw (Qty 6)  | M6 x 45mm Combo Screw (Qty 6)  |
| M8 x 16mm Combo Screw (Qty 6)  | M8 x 30mm Combo Screw (Qty 6)  |
| M8 x 25mm Combo Screw (Qty 6)  | M8 x 45mm Combo Screw (Qty 6)  |



Features

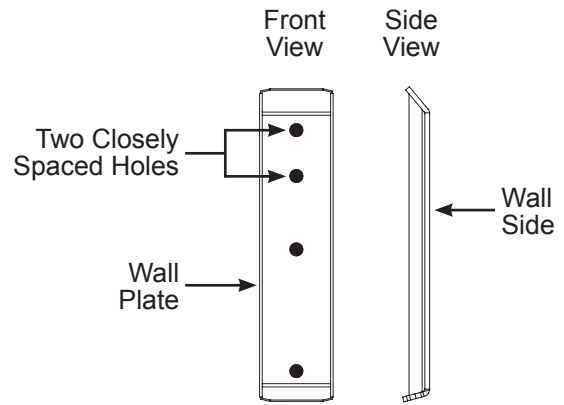




Installing the Wall Plate

Introduction

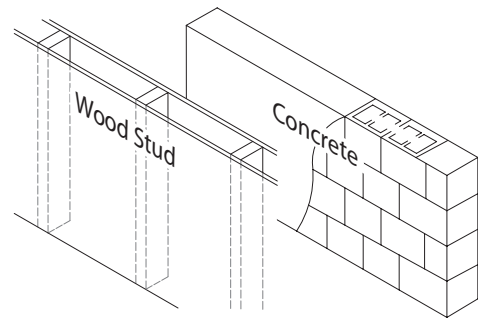
Point the end of the wall plate with the two closely spaced holes up when mounting. The flat side of the wall plate will mount flush to the wall.



Determining the Mounting Surface

? Are you installing the mount to a wood stud?
Proceed to **“Wood Stud Installation”** below.

? Are you installing the mount to a concrete wall?
Proceed to **“Concrete Installation”** on page 8.



Wood Stud Installation

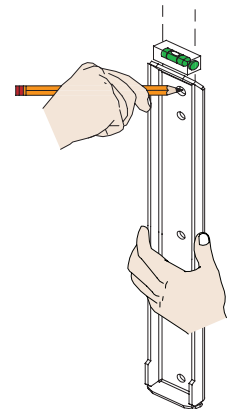
Step 1

Use an electronic stud finder to determine the exact center of the wood stud in the vicinity of where you want to install the wall plate.



Step 2

- 1 Place the wall plate (with the two closely spaced holes on top) against the wall.
- 2 Use a level to level the wall plate along the center of the wood stud.
- 3 Use a pencil to mark the four (4) mounting locations along the center of the wood stud.







Installing the Wall Plate (cont'd)

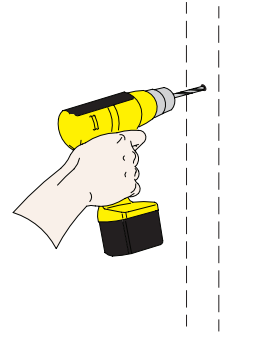
Step 3

- 1 Remove the wall plate from the wall.

 It is recommended that you wear protective eyewear when drilling.

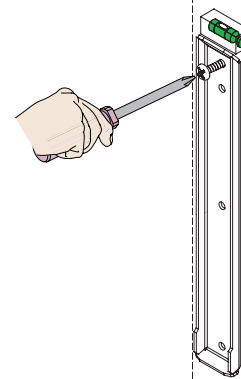
- 2 Drill a “pilot hole” in the center of the upper mark with a power drill and a $\frac{1}{8}$ ” drill bit.

 Only use a $\frac{1}{8}$ ” drill bit when drilling pilot holes.




Step 4

- 1 Place the wall plate (with the two closely spaced holes on top) against the wall and align the upper mounting hole with the pilot hole.
- 2 Use a level to level the wall plate.
- 3 Insert one (1) #14 x 2” screw into the pilot hole.
- 4 Use a Phillips head screwdriver to tighten the screw.



Step 5

Drill a “pilot hole” in the center of the remaining three (3) marks with a power drill and a $\frac{1}{8}$ ” drill bit.

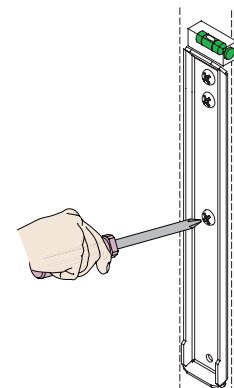
 Only use a $\frac{1}{8}$ ” drill bit when drilling pilot holes.



Step 6

- 1 Insert one (1) #14 x 2” screw into a pilot hole.
- 2 Use a Phillips head screwdriver to tighten the screw.
- 3 Repeat 1 and 2 for the remaining two (2) screws.

Proceed to “Selecting the Mounting Hardware” on page 9.



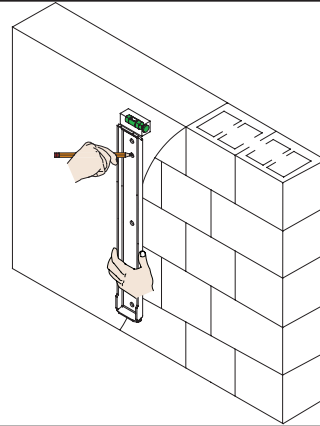


Installing the Wall Plate (cont'd)



Concrete Installation

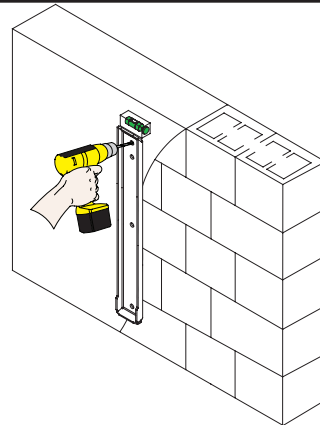
Step 1

- 1 Place the wall plate (with the two closely spaced holes on top) against the concrete wall.
- 2 Use a level to level the wall plate.
- 3 Use a pencil to mark the four (4) mounting locations.




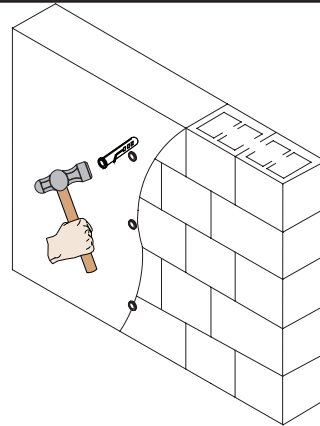
Step 2

- 1 Remove the wall plate from the wall.
-  It is recommended that you wear protective eyewear when drilling.
- 2 Drill a "pilot hole" in the center of each of the marks with a power drill and a $\frac{5}{16}$ " masonry drill bit.
-  Only use a $\frac{5}{16}$ " masonry drill bit when drilling pilot holes.




Step 3

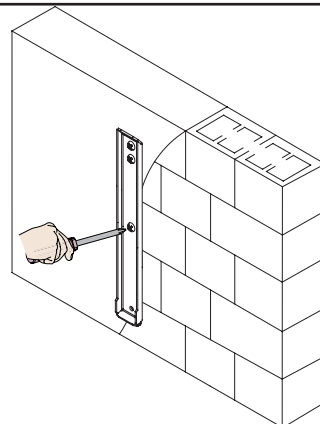
- 1 Insert one (1) plastic wall anchor into a pilot hole.
 - 2 Use a hammer to gently tap it into place.
 - 3 Repeat 1 and 2 for the other three (3) plastic wall anchors.
-  Make sure the mounting surface area is smooth and that the plastic wall anchors do not protrude from the wall.



Step 4

- 1 Place the wall plate (with the two closely spaced holes on top) over the plastic wall anchors.
 - 2 Insert one (1) #14 x 2" screw into a pilot hole.
 - 3 Use a Phillips head screwdriver to tighten the screw.
 - 4 Repeat 2 and 3 for the other three (3) screws.
-  Do not overtighten the screws in the plastic wall anchors.

Proceed to "Selecting the Mounting Hardware" on page 9.






Selecting the Mounting Hardware

Selecting the Screws

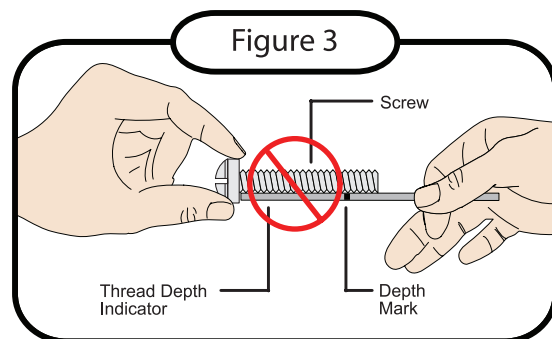
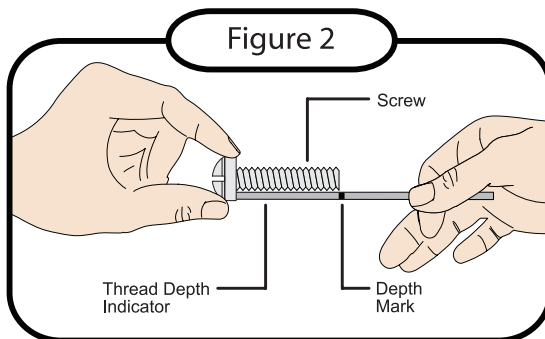
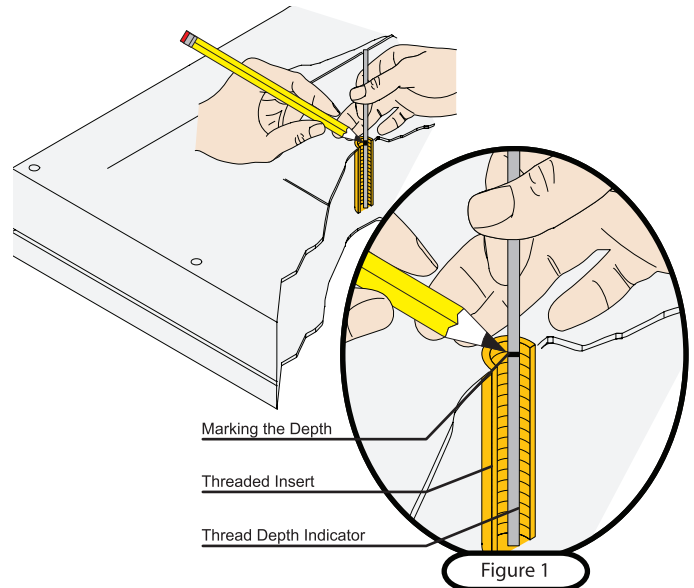
- 1 Insert the Thread Depth Indicator into the thread inserts found on the bottom or top of the flat panel.
- 2 Use a pencil to mark the depth of the thread insert on the Thread Depth Indicator, as shown in Figure 1.
- 3 Insert the Thread Depth Indicator into the remaining thread inserts to compare and verify their depth.
- 4 Locate the correct diameter screw for the thread insert.

The screw length must not bypass the mark, as shown in Figure 2.


-  If the screw you selected is longer than the mark on the Thread Depth Indicator, as shown in Figure 3, do not use this screw.

- 5 Test each size of the screws provided.

The correct screws should thread easily into the mounting point and not pull out when tension is applied.



Determining Universal Adapter Usage

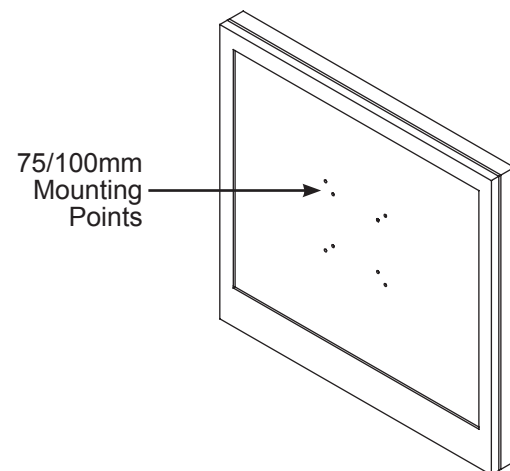
-  Does the flat panel have 75/100mm mounting points?

If yes, you do not need the universal adapter.

Proceed to "Attaching The Flat Panel" on page 14.

If no, you do need the universal adapter.


Proceed to "The Universal Adapter" on page 10.






The Universal Adapter

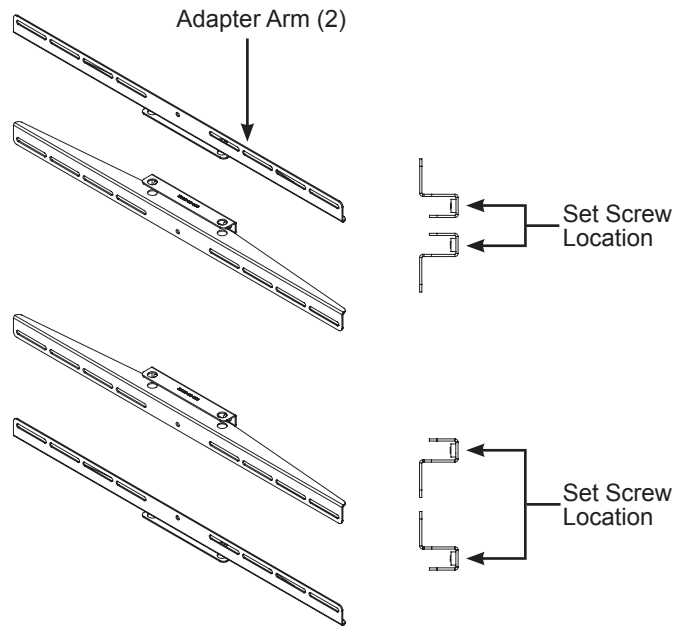
Introduction

 The universal adapter accommodates mounting patterns up to 600mm x 400mm.

This figure shows the two placement positions and the set screw locations of the adapter arms.


Choose the configuration that best fits the flat panel's mounting hole pattern.

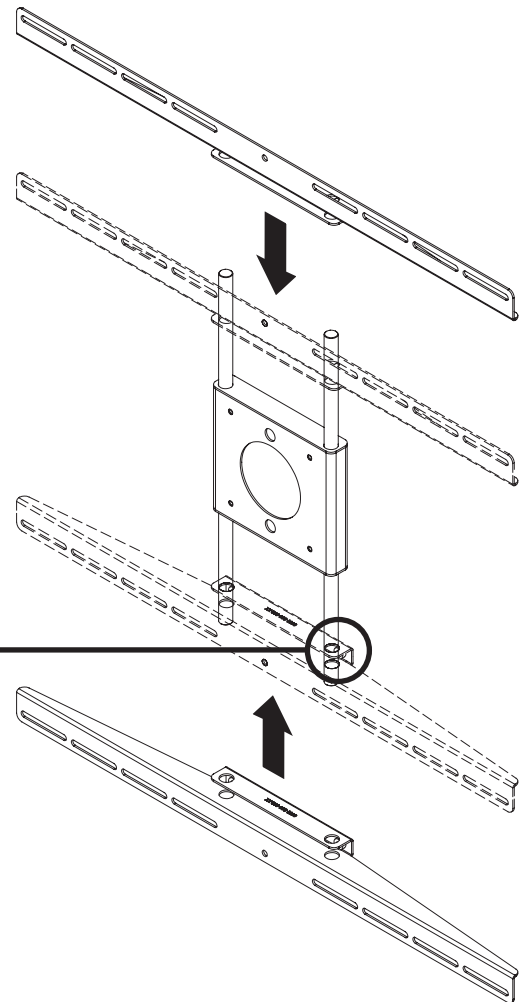
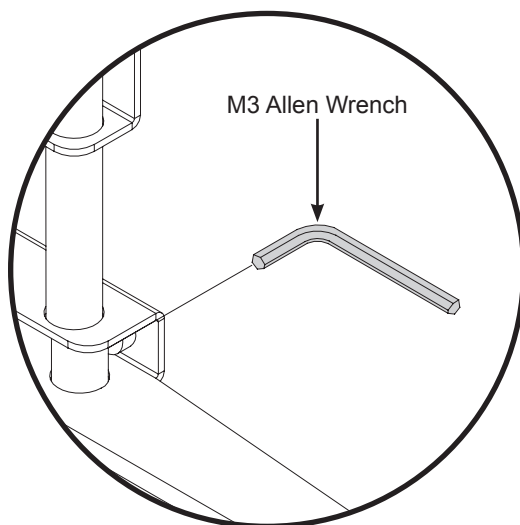
 Do not remove the set screws.



Assembling the Universal Adapter

- 1 Slide each adapter arm onto the adapter plate mounting rods.
- 2 Use the supplied M3 Allen wrench to tighten both set screws on each adapter arm.

 Do not completely tighten these screws at this time.





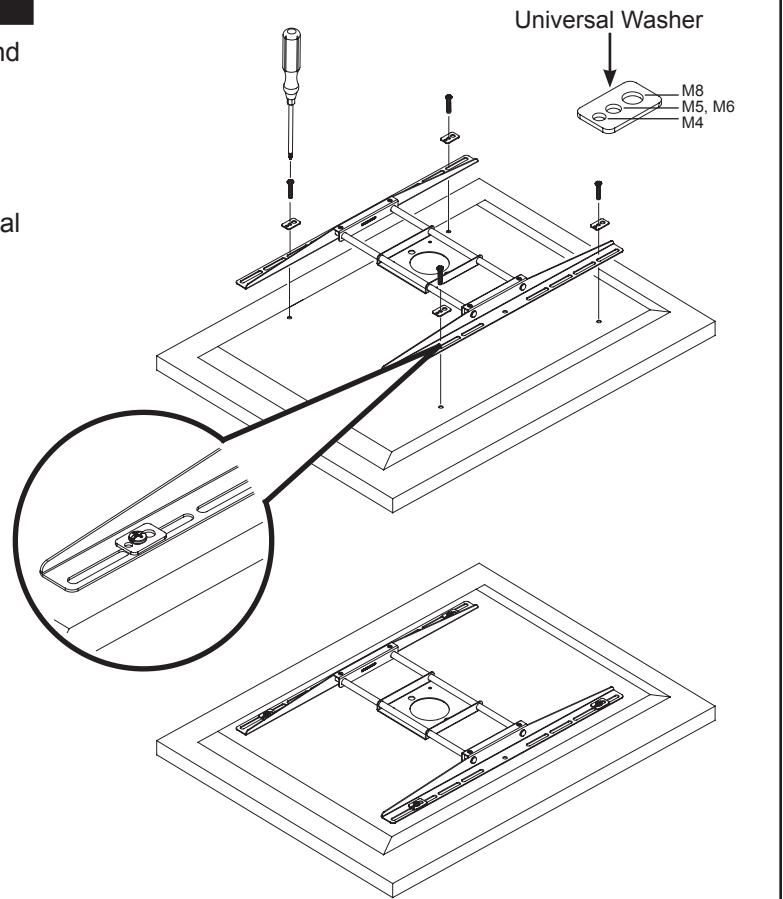


The Universal Adapter (cont'd)

Universal Washer Installation

Premier Mounts' universal washers fit M4, M5, M6, and M8 hole sizes used by flat panels.

-  Do not place excessive pressure on the back of the flat panel, as this may damage it.
-  You must install the universal washer between the head of the mounting screw and the universal adapter as shown.





The Universal Adapter (cont'd)

Attaching the Universal Adapter to the Flat Panel

Step 1

- ?** Does the flat panel have:
- Recessed mounting points?
 - Uneven mounting points?
 - A curved back?
 - Any obstruction near the mounting point?

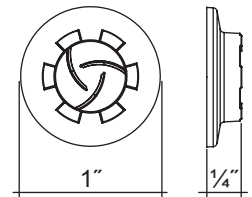
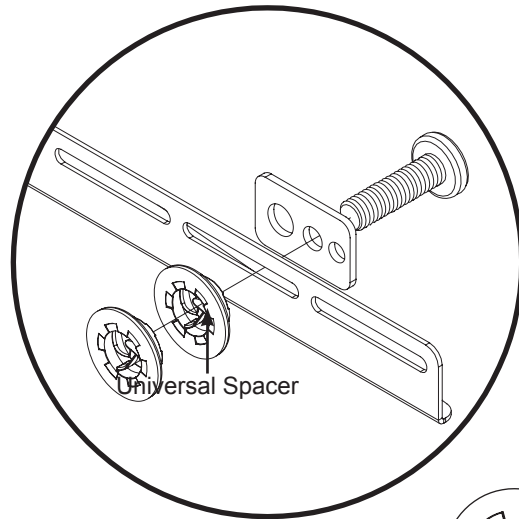
If yes, then you must install universal spacers.

Premier Mounts' universal spacers allow you to attach the universal adapter to flat panels that have recessed or uneven mount points. Each universal spacer adds $\frac{1}{4}$ " to the distance between the universal adapter and the flat panel.

! Stack and orient the universal spacers as shown.

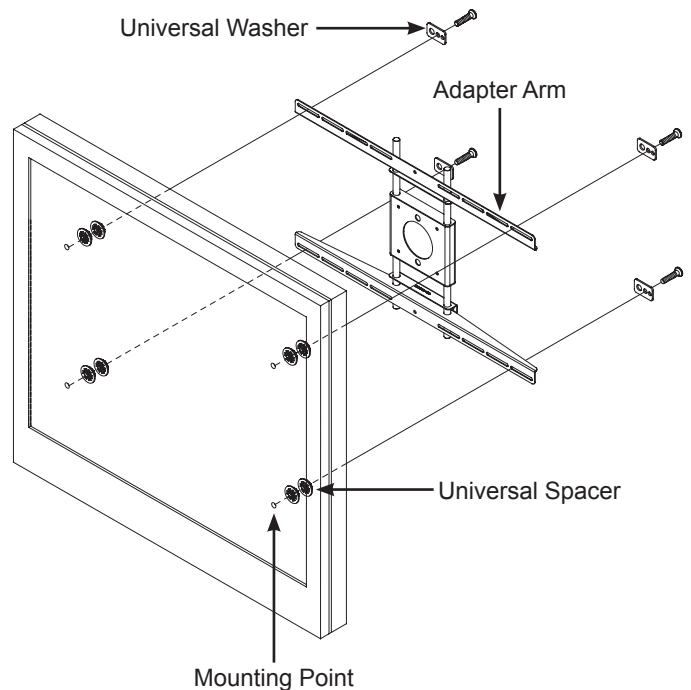
! Install the universal spacers between the universal adapter and the flat panel.

The universal spacers fit M4, M5, M6, and M8 screw sizes.



Step 2

- 1 Place the flat panel screen-side down on a soft, flat surface.
- 2 Locate the mounting holes on the back of the flat panel.
- 3 Place the adapter arms over the mounting points.
 - !** If your flat panel has recessed or uneven mounting points, use the universal spacers.
- 4 Insert and tighten the mounting hardware using a Phillips head screwdriver.
- 5 Use the M3 Allen wrench to tighten both set screws on each adapter arm (four total).





The Universal Adapter (cont'd)

Attaching the Universal Adapter to the Cover Plate

Step 1



Mounting Safety

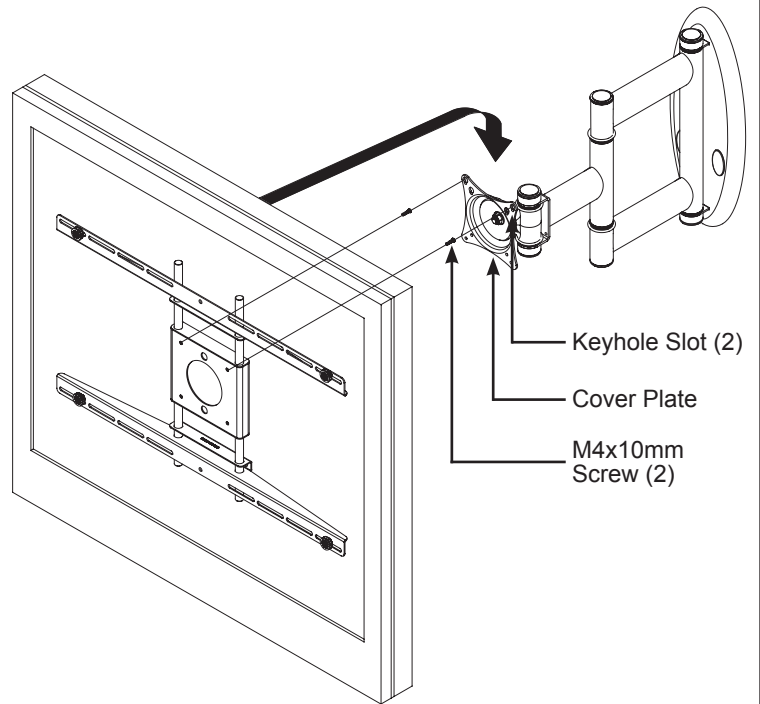
Two people are recommended to attach the flat panel.

- 1 Place the flat panel screen-side down on a soft, flat surface.
- 2 Insert and fasten, to half the depth of the screws, two (2) M4x10mm screws to the top two (2) mounting points on the universal adapter.



Do not completely tighten these screws at this time.

- 3 Insert the heads of the two (2) screws through the two (2) keyhole slots on the cover plate.



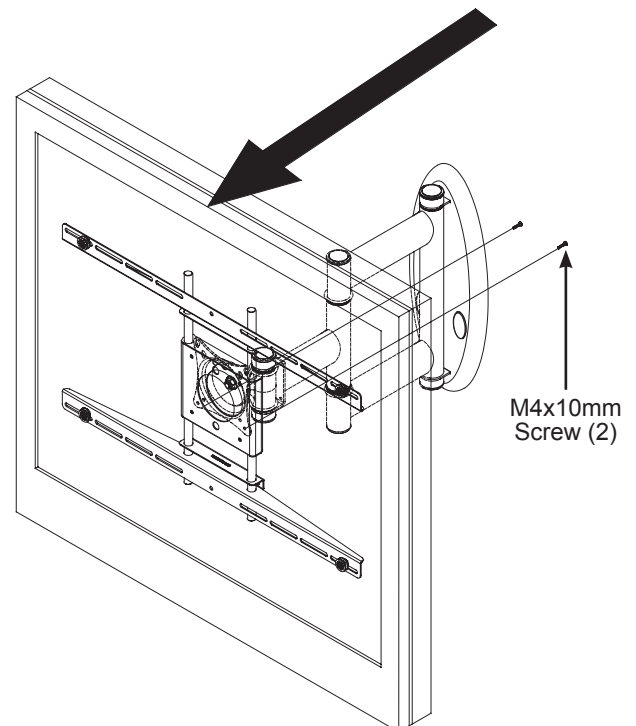
Step 2

Insert and tighten the bottom two (2) M4x10mm screws to secure the universal adapter to the cover plate.



Do not overtighten the screws.

Proceed to "Finish the Installation" on page 16.





Attaching The Flat Panel

Step 1



Does the flat panel have:

- Recessed mounting points?
- Uneven mounting points?
- A curved back?
- Any obstruction near the mounting point?

If yes, then you must install universal spacers.

Premier Mounts' universal spacers allow you to attach the cover plate to flat panels that have recessed or uneven mount points. Each universal spacer adds $\frac{1}{4}$ " to the distance between the cover plate and the flat panel.

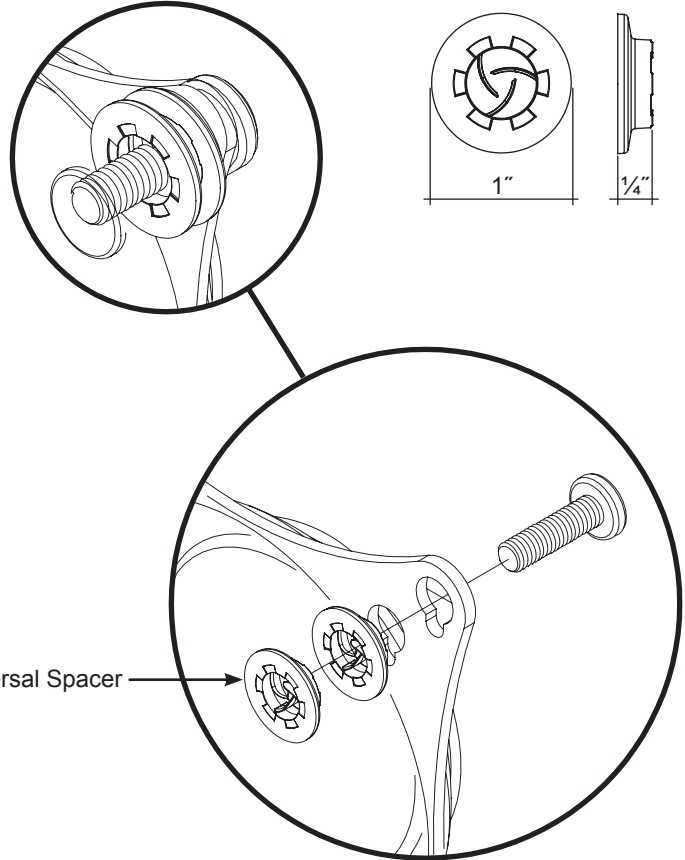


Stack and orient the universal spacers as shown.



Install the universal spacers between the cover plate and the flat panel.

The universal spacers fit M4, M5, M6, and M8 screws sizes.





Attaching The Flat Panel (cont'd)

Step 2

Mounting Safety

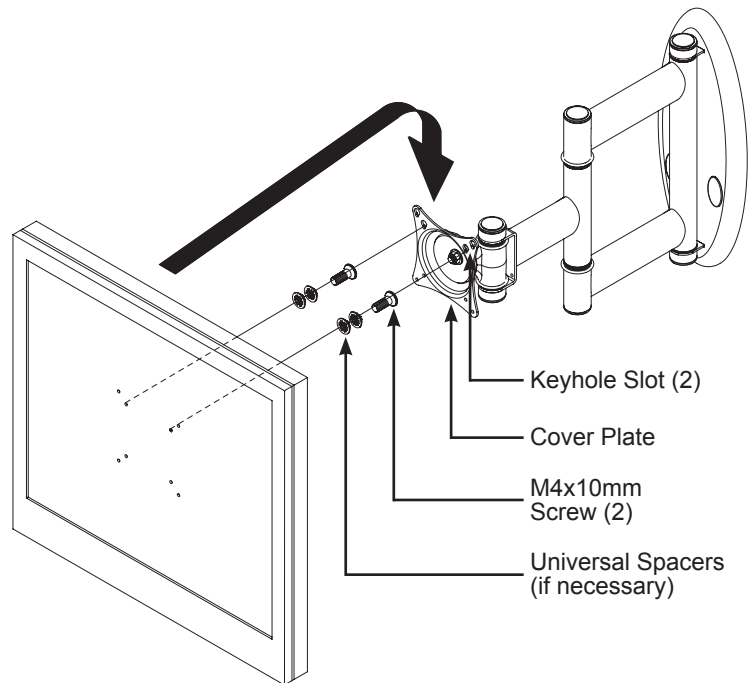
Two people are recommended to attach the flat panel.

- 1 Place the flat panel screen-side down on a soft, flat surface.
- 2 Insert and fasten, to half the depth of the screws, two (2) M4x10mm screws and universal spacers (if necessary) to the top two (2) mounting points on the flat panel.



Do not completely tighten these screws at this time.

- 3 Insert the heads of the two (2) screws through the two (2) keyhole slots on the cover plate.



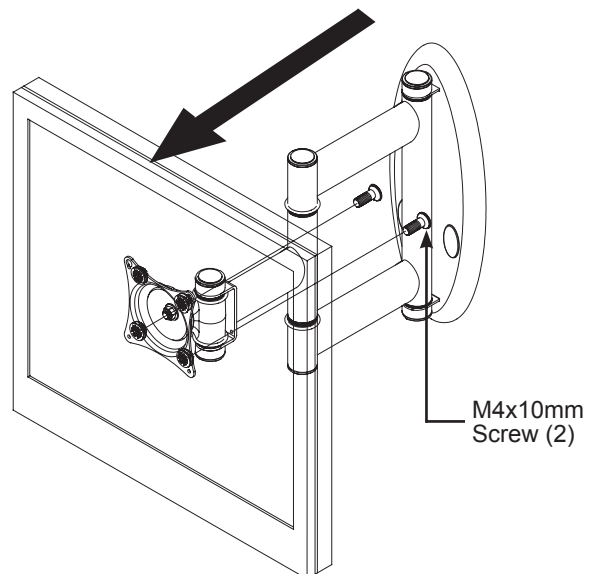
Step 3

Insert and tighten the bottom two (2) M4x10mm screws to secure the flat panel to the cover plate.



Do not overtighten the screws.

Proceed to “Finish the Installation” on page 16.






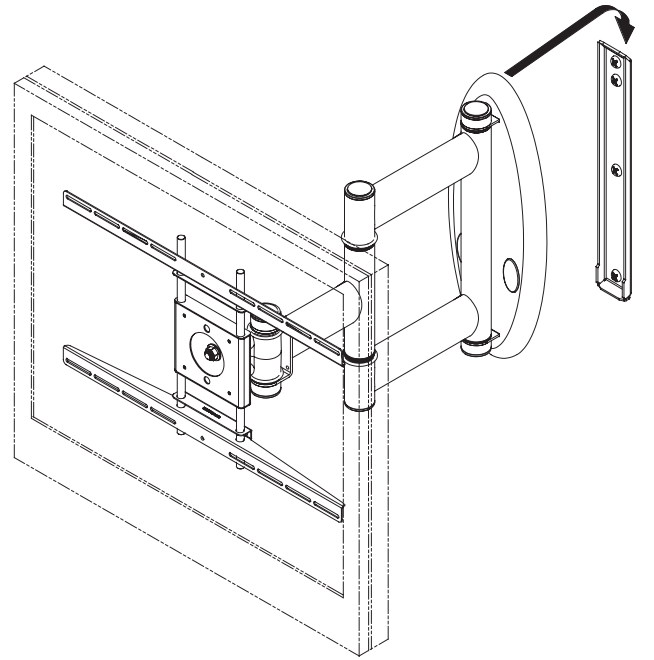
Finish the Installation

Installing the Cover Plate on the Wall Plate


Step 1

 Whether or not you use the universal adapter, the installation procedure is the same.


Place the wall plate receptacle area of the cover plate over the top of the wall plate as shown, so that the entire assembly hangs on the wall plate.

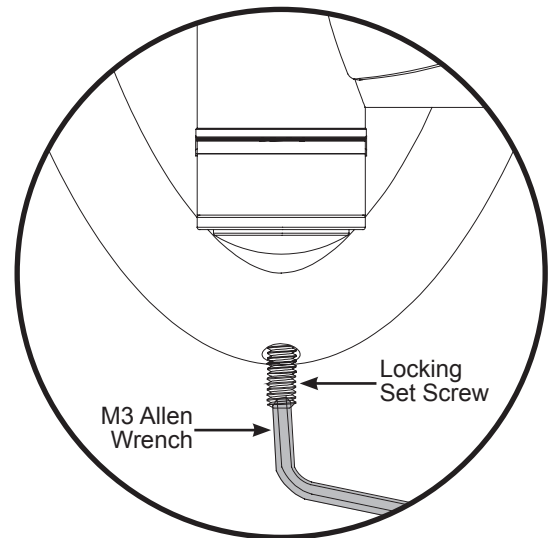


Step 2


 The locking set screw prevents the cover plate and flat panel from being lifted off the wall plate.

Use the M3 Allen wrench to tighten the locking set screw located on the bottom of the wall plate receptacle area of the cover plate.

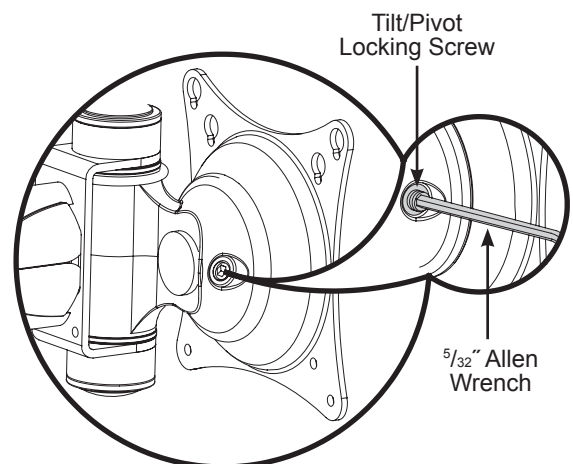
 Failure to fully tighten the locking set screw may result in damage to the flat panel.



Tilt/Pivot Adjustment

 The tilt/pivot locking screw comes pre-installed, allowing you to lock the tilt/pivot viewing angle.

- 1 Make any tilt/pivot adjustments to the flat panel to determine the final viewing angle.
- 2 Use the $\frac{5}{32}$ " Allen wrench to tighten the tilt/pivot locking screw.





Finish the Installation (cont'd)

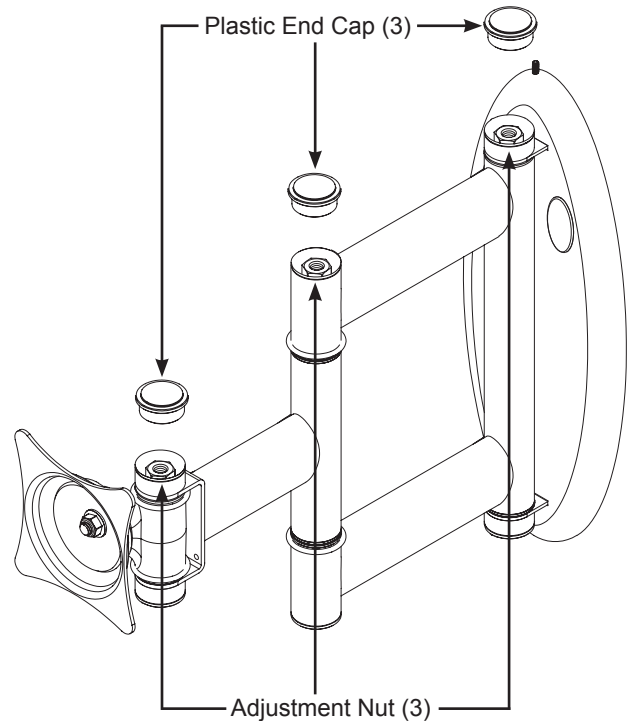
Tension Adjustment



The mount is shown upside down to demonstrate how to access the adjustment nuts.

The mount comes pre-tensioned from the factory. To adjust the swingout arm tension:

- ❶ Remove the three (3) plastic end caps.
- ❷ Use a socket wrench with the supplied 14mm socket to tighten/loosen the three (3) adjustment nuts to the desired tension.
- ❸ Reinstall the three (3) plastic end caps.



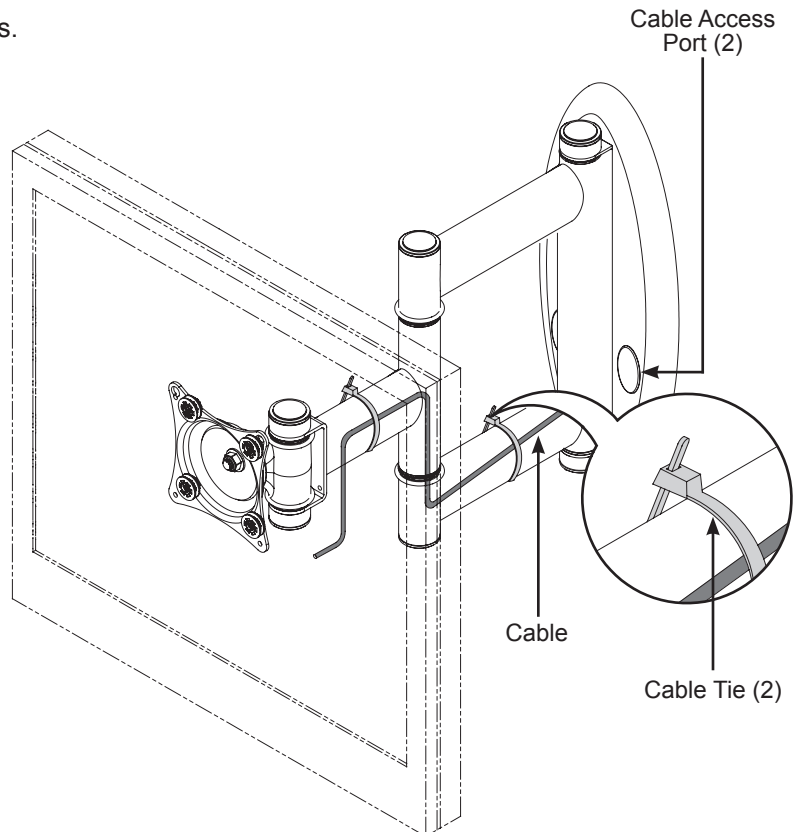
Cable Management

- ❶ Fully extend the swingout arm away from the wall.
- ❷ If necessary, remove the plastic cap(s) to access one or both of the cable access ports.



The cable access ports allow you to route the cables through the base of the mount and into the wall.

- ❸ Route all cables along the mount.
- ❹ Use the two (2) supplied cable ties to attach the cables to the mount as shown.
- ❺ Cut off any excess cable tie.

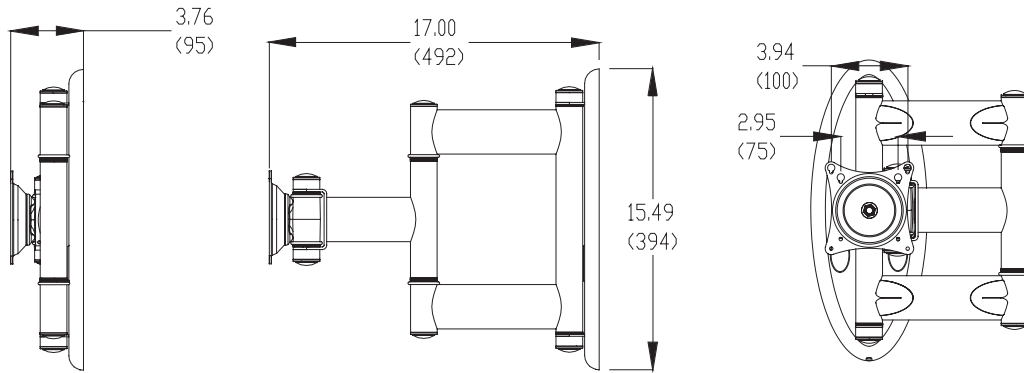




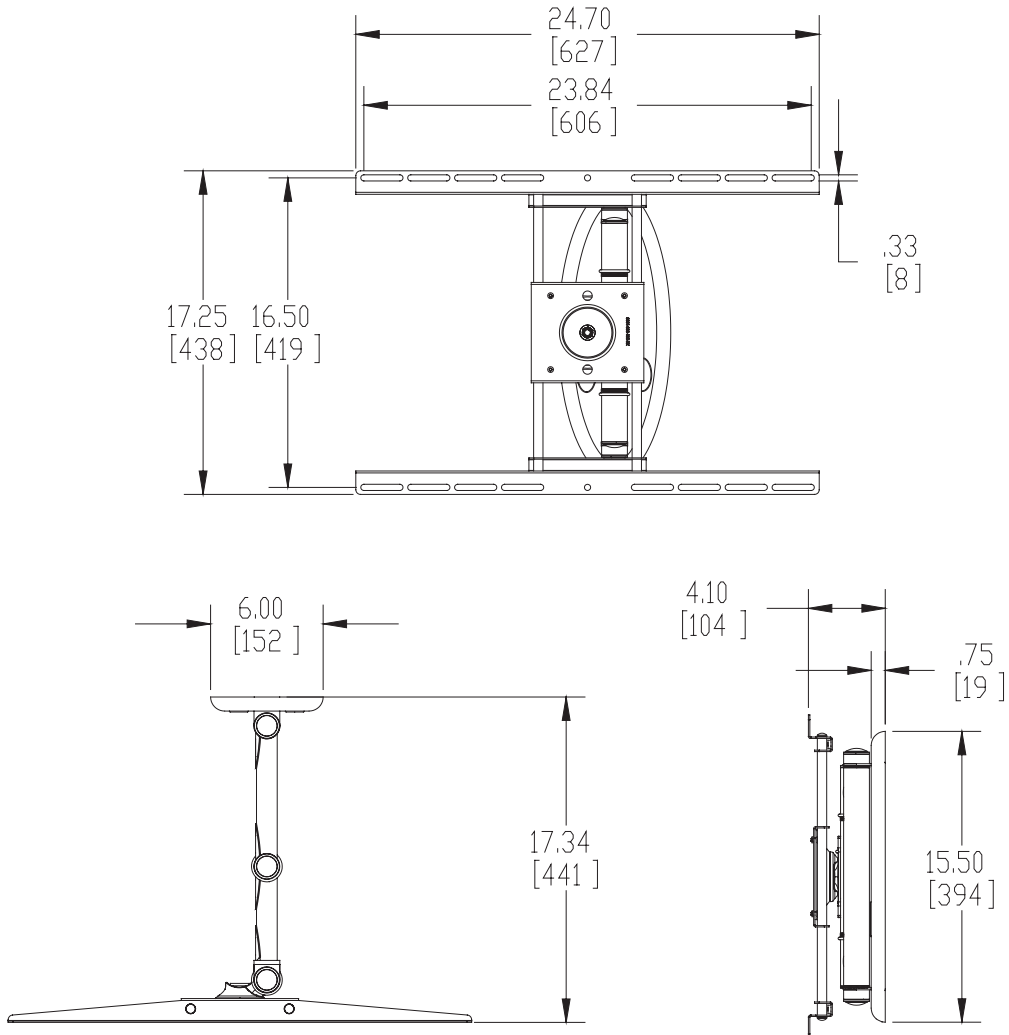
Technical Specifications

All measurements are in inches [millimeters].

Without Universal Adapter



With Universal Adapter





Warranty

PREMIER MOUNTS LIMITED LIFETIME WARRANTY

What and Who is Covered by this Limited Warranty and for How Long

Premier Mounts warrants this product to be free from defects in material and workmanship for the lifetime of the original owner of this product. The limited warranty is valid only for the original purchaser of the product.

What Premier Mounts Will Do

At the sole option of Premier Mounts, Premier Mounts will repair or replace any product or product part that is defective. If Premier Mounts chooses to replace a defective product or part, a replacement product or part will be shipped to you at no charge, but you must pay any labor costs.

What is Not Covered; Limitations

PREMIER MOUNTS DISCLAIMS ANY LIABILITY FOR DAMAGE TO MOUNTS, ADAPTERS, DISPLAYS, PROJECTORS, OTHER PROPERTY, OR PERSONAL INJURY RESULTING, IN WHOLE OR IN PART, FROM IMPROPER INSTALLATION, MODIFICATION, USE OR MISUSE OF ITS PRODUCTS.

PREMIER MOUNTS DISCLAIMS ALL OTHER WARRANTIES, EXPRESS OR IMPLIED, INCLUDING WARRANTIES OF MERCHANTABILITY AND FITNESS FOR A PARTICULAR PURPOSE. PREMIER MOUNTS IS NOT RESPONSIBLE FOR INCIDENTAL OR CONSEQUENTIAL DAMAGES, INCLUDING BUT NOT LIMITED TO, INABILITY TO USE ITS PRODUCTS OR LABOR COSTS FOR REMOVING AND REPLACING DEFECTIVE PRODUCTS OR PARTS. SOME STATES DO NOT ALLOW THE EXCLUSION OR LIMITATION OF INCIDENTAL OR CONSEQUENTIAL DAMAGES, SO THE ABOVE LIMITATION OR EXCLUSION MAY NOT APPLY TO YOU.

What Customers Must Do for Limited Warranty Service

If you discover a problem that you think may be covered by the warranty you MUST REPORT it in writing to the address below within thirty (30) days. Proof of purchase (an original sales receipt) from the original consumer purchaser must accompany all warranty claims. Warranty claims must also include a description of the problem, the purchaser's name, address, and telephone number. General inquiries can be addressed to Premier Mounts Customer Service at 1-800-368-9700. Warranty claims will not be accepted over the phone or by fax.

Premier Mounts
Attn: Warranty Claim
3130 East Miraloma Ave.
Anaheim, CA 92806

How State Law Applies

THIS WARRANTY GIVES YOU SPECIFIC LEGAL RIGHTS, AND YOU MAY ALSO HAVE OTHER RIGHTS WHICH VARY FROM STATE TO STATE.

Disclaimer

Premier Mounts intends to make this manual accurate and complete. However, Premier Mounts makes no claim that the information contained herein covers all details, conditions or variations, nor does it provide for every possible contingency in connection with the installation or use of this product. The information contained in this document is subject to change without notice or obligation of any kind. Premier Mounts makes no representation of warranty, expressed or implied, regarding the information contained herein. Premier Mounts assumes no responsibility for accuracy, completeness or sufficiency of the information contained in this document.



205 Westwood Ave, Long Branch, NJ 07740
Phone: 866-94 BOARDS (26273) / (732)-222-1511
Fax: (732)-222-7088 | E-mail: sales@touchboards.com