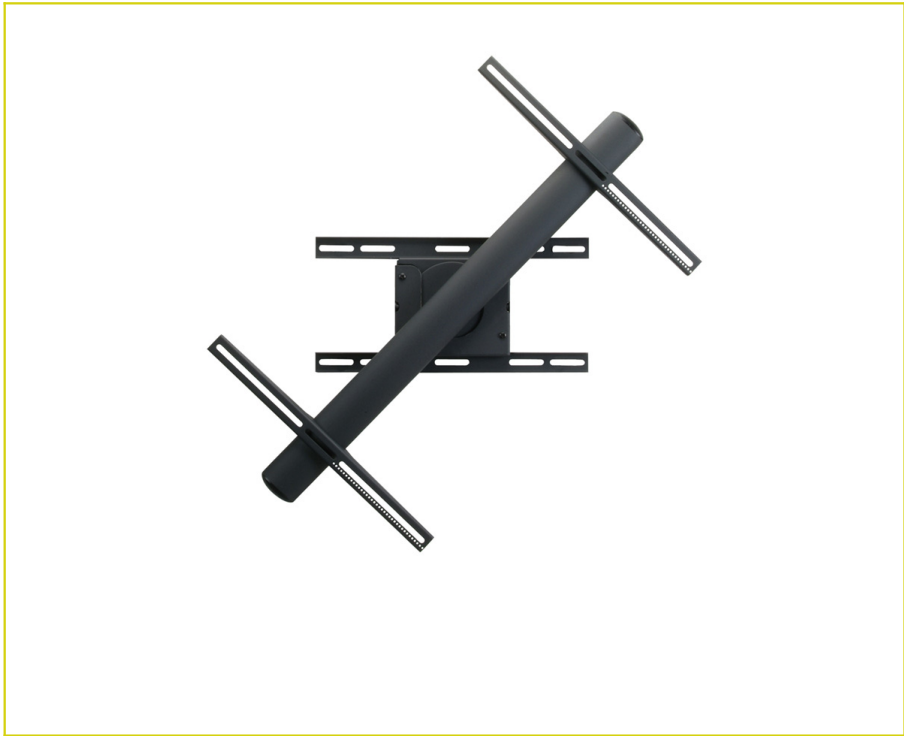




205 Westwood Ave, Long Branch, NJ 07740
 Phone: 866-94 BOARDS (26273) / (732)-222-1511
 Fax: (732)-222-7088 | E-mail: sales@touchboards.com

Color:	Black
Weight	28.00 lb. 12.7 kg
Weight Capacity	160 lb. 72.6 kg
Width	37.20 in. 945 mm
Height	21.00 in. 533.4 mm
Depth	3.73 in. 95 mm
Mounting Pattern	200 x 200 (Min) - 870 x 505 (Max) mm
Display Range	37.00 - 63.00 in
Rotation	+360°



-  160 lb.
-  +21.00
-  4 in
-  200 x 200 min.
-  870 x 505 max.
-  37-63 in

DESCRIPTION

This rotating, universal flat-panel mount holds displays up to 160 lb. It typically fits displays 37 - 63 in. With 360° of continuous rotation, the flat-panel can be displayed in landscape or portrait positions. The two-piece design mounts a mere 3.75 in. from the wall.

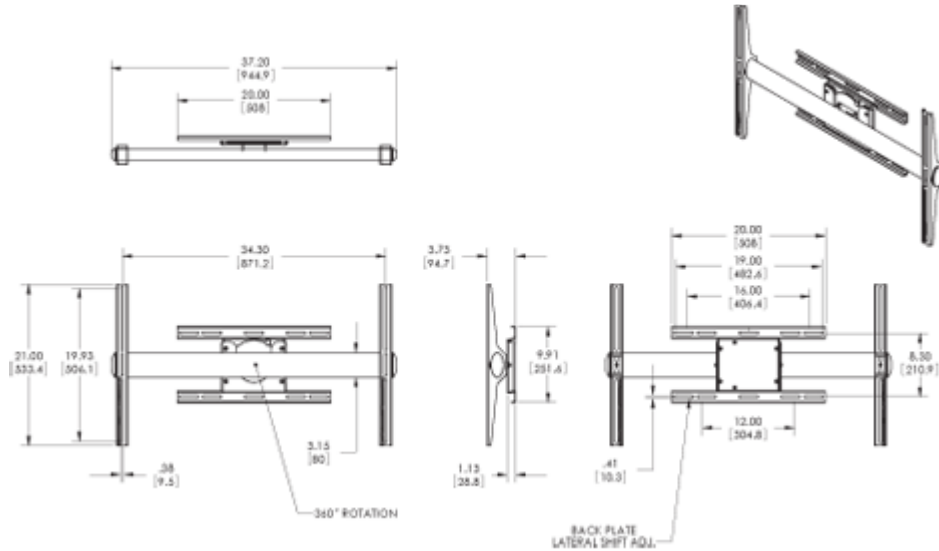
FEATURES

- Rotates 360° so display can be locked in any position
- Patented Griplates™ (US Patent number 8,035,757 B2) support flat-panel displays and hold the display tight on the mounting brackets
- Elliptical back plate design adds strength and stability
- Lock-It™ security hardware keeps flat-panels secure
- Two-piece design for fast assembly
- Mounts 3.75 in. from the wall



RFM

Rotating Mount for Flat-Panels up to 160 lb./73 kg



ACCESSORIES FOR RFM



GB-INWAVP

In-wall A/V and Power GearBox™



GB-INWAVPB

In-wall A/V and Power GearBox™

SIMILAR PRODUCTS



RFM

Rotating Mount for Flat-Panels up to 160 lb./73 kg



RTM-L

Rotating Mount for Flat-Panels up to 160 lb./73 kg



RTM-S

Rotating Mount for Flat-Panels up to 40 inch



RTM-C

Ceiling Adapter for RTM Series



205 Westwood Ave, Long Branch, NJ 07740
Phone: 866-94 BOARDS (26273) / (732)-222-1511
Fax: (732)-222-7088 | E-mail: sales@touchboards.com