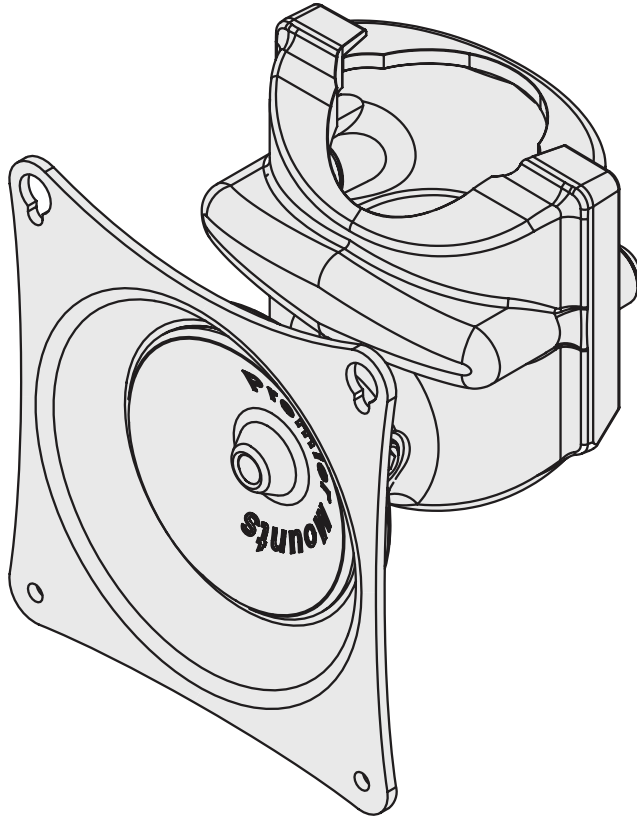


INSTALLATION INSTRUCTIONS



VPM
VESA Pole Mount

Touchboards

205 Westwood Ave, Long Branch, NJ 07740
Phone: 866-94 BOARDS (26273) / (732)-222-1511
Fax: (732)-222-7088 | E-mail: sales@touchboards.com



Contents

Weight Limit..... 2

Warning Statements..... 2

Installation Tools..... 3

Parts List..... 3

Features..... 5

Opening the Collar Clasp..... 6

Installing the Fixed Tilt Adapters (Optional)..... 6

Selecting the Mounting Hardware..... 7

Universal Spacer Installation (Optional)..... 7

Installing the Adapter Plate (Optional)..... 8

Attaching the Flat-Panel to the VPM Mount..... 10

Attaching the VPM Mount to a Pole..... 11

Adjusting the VPM Mount Tension..... 12

Installing Multiple VPM (Optional)..... 12

Technical Specifications..... 13

Warranty..... 14

Weight Limit

Maximum Flat Panel Weight: **50 lbs.**

Warning Statements



PRIOR TO THE INSTALLATION OF THIS PRODUCT, THE INSTALLATION INSTRUCTIONS MUST BE READ AND COMPLETELY UNDERSTOOD. KEEP THESE INSTALLATION INSTRUCTIONS IN AN EASILY ACCESSIBLE LOCATION FOR FUTURE REFERENCE.



PROPER INSTALLATION PROCEDURE BY A QUALIFIED SERVICE TECHNICIAN MUST BE FOLLOWED, AS OUTLINED IN THESE INSTALLATION INSTRUCTIONS. FAILURE TO DO SO COULD RESULT IN PROPERTY DAMAGE, SERIOUS PERSONAL INJURY, OR EVEN DEATH.



SAFETY MEASURES MUST BE PRACTICED AT ALL TIMES DURING THE ASSEMBLY OF THIS PRODUCT. USE PROPER SAFETY EQUIPMENT AND TOOLS FOR THE ASSEMBLY PROCEDURE TO PREVENT PERSONAL INJURY.



PREMIER MOUNTS DOES NOT WARRANT AGAINST DAMAGE CAUSED BY THE USE OF ANY PREMIER MOUNTS PRODUCT FOR PURPOSES OTHER THAN THOSE FOR WHICH IT WAS DESIGNED OR DAMAGE CAUSED BY UNAUTHORIZED ATTACHMENTS OR MODIFICATIONS, AND IS NOT RESPONSIBLE FOR ANY DAMAGES, CLAIMS, DEMANDS, SUITS, ACTIONS OR CAUSES OF ACTION OF WHATEVER KIND RESULTING FROM, ARISING OUT OF OR IN ANY MANNER RELATING TO ANY SUCH USE, ATTACHMENTS OR MODIFICATIONS.



At least two qualified people should perform the assembly procedure. Personal injury and/or property damage can result from dropping or mishandling the flat panel.



Be aware of the mounting environment. If drilling and/or cutting into the mounting surface, always make sure that there are no electrical wires in wall. Cutting or drilling into an electrical line may cause serious personal injury.



Make sure there are no water or natural gas lines inside the wall where the mount is to be located. Cutting or drilling into a water or gas line may cause severe property damage or personal injury.



This product is intended for indoor use only. Use of this product outdoors could lead to product failure and/or serious personal injury.



Do not install near sources of high heat. Do not install on a structure that is prone to vibration, movement or chance of impact.

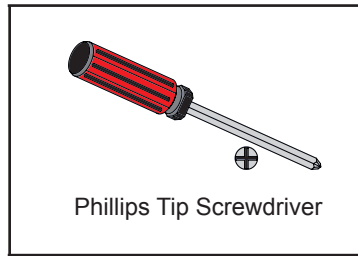


Contact Premier Mounts with any questions:
(800) 368-9700
mounts@mounts.com



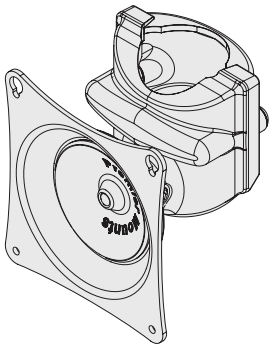
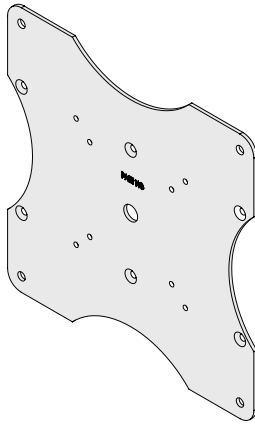
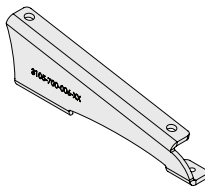
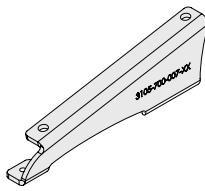
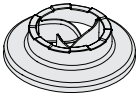
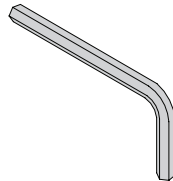

Installation Tools

The following tool may be required depending on your installation.



Parts List

Make sure none of the Premier Mounts parts are missing and/or damaged before beginning installation. If there are, stop the installation and call Premier Mounts at (800) 368-9700.

| VPM Components | | | |
|---|--|--|--|
|  <p>VESA Pole Mount (Qty 1)</p> |  <p>Adapter Plate (Qty 1)</p> |  <p>Fixed Tilt Adapter - Left (Qty 1)</p> |  <p>Fixed Tilt Adapter - Right (Qty 1)</p> |
|  <p>Universal Spacer (Qty 8)</p> |  <p>M5 Allen Wrench (Qty 1)</p> |  <p>Thread Depth Indicator (Qty 1)</p> | |



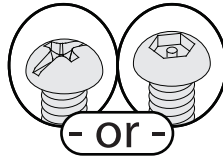
Parts List (cont'd)







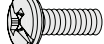




Mounting Hardware

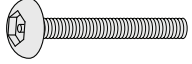

Lock-It™ Security Hardware Pack

Your mount comes with the option of using Lock-It™ Security Screws. Simply replace any of the Phillips head screws with the corresponding sized Lock-It™ Security Screws and tighten using the included Allen wrench.

When you see the graphics below associated with a step, you have the option of using the standard mounting hardware or the Lock-It Security hardware.



| Standard Hardware | |
|--------------------------------------|---|
| M4 x 10mm Flat Screw (Qty 6) |  |
| M4 x 16mm Flat Screw (Qty 6) |  |
| M4 x 5mm Pan Combo Screw (Qty 4) |  |
| M4 x 6mm Pan Combo Screw (Qty 4) |  |
| M4 x 10mm Pan Combo Screw (Qty 4) |  |
| M5 x 10mm Pan Combo Screw (Qty 4) |  |
| M5 x 16mm Pan Combo Screw (Qty 4) |  |
| M6 x 10mm Pan Combo Screw (Qty 4) |  |
| M6 x 16mm Pan Combo Screw (Qty 4) |  |
| M8 x 12mm Pan Combo Screw (Qty 4) |  |
| M8 x 16mm Pan Combo Screw (Qty 4) |  |

| Lock-It™ Security Hardware | |
|-------------------------------------|---|
| M8 x 40mm Security Screw (Qty 2) |  |
| M8 x 60mm Security Screw (Qty 2) |  |



Features

The VPM VESA Pole Mount packs many features that make it one of the best mounts for flat-panels up to 32". Its attachment head uses a 100 x 100mm VESA mounting pattern to fit a majority of flat-panels (from 75 x 75mm to 200 x 200mm when combined with the optional adapter plate). For the optimal viewing angle, adjust the mount using its Radial Glide® feature, which offers up to 12° (22° with optional tilt adapters) of smooth adjustment in any direction.

The VPM fits 1-1/2" and 2" tubing, as well as Premier Mounts' own elliptical tubing, for carts, stands and ceiling poles. The mount's unique collar clasp design allows you to combine VPMs on a pole for back-to-back flat-panel installations.

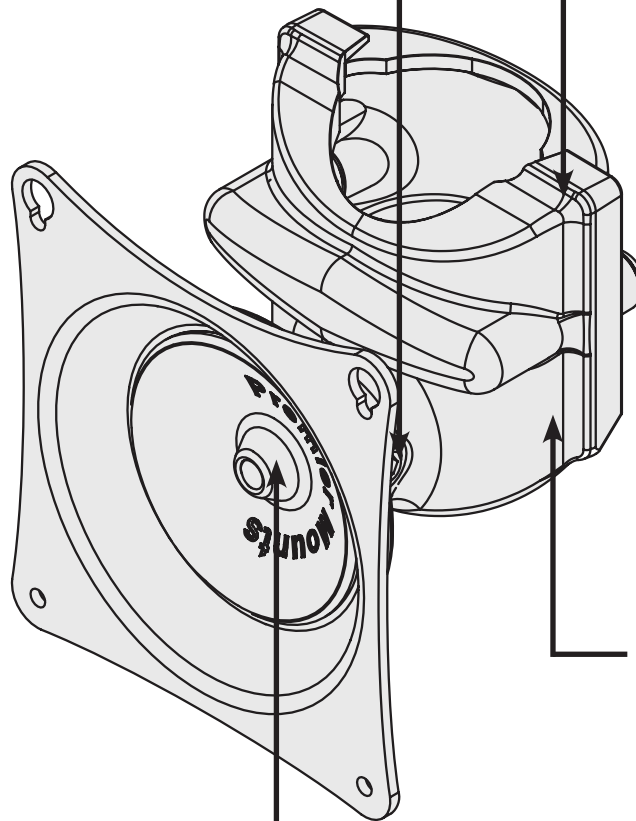
The VPM also includes both traditional screws and Lock-It™ security hardware for every installation scenario.

Adjustable Tension

Your flat panel stays at the angle you choose even when using a heavy display by tightening the integrated set screws.

Fits Many Pipes

The collar clasp can be adjusted to fit 1-1/2" and 2" tubing, as well as Premier Mounts' own elliptical tubing.



Stylish Design

Sleek and unobtrusive, yet sturdy.

Radial Glide Technology™

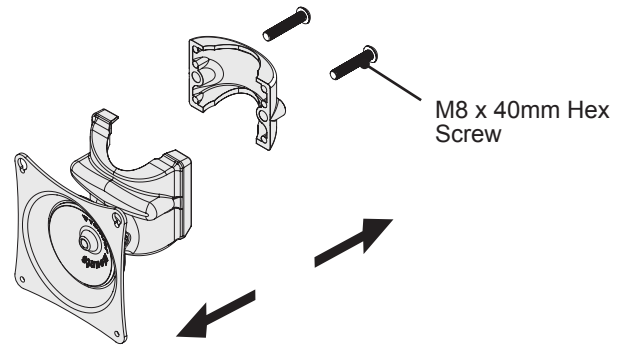
360° rotation and 12° of pivot allows for superior viewing of your flat-panel.



Opening the Collar Clasp

Remove the M8 x 40mm hex screws from the sides of the VPM to open the collar clasp and begin installation.

Proceed to the “Installing the Fixed Tilt Adapters (Optional)” section.



Installing the Fixed Tilt Adapters (Optional)

? Are you using fixed tilt adapters for an additional 10° of tilt?

If **Yes**, choose an option:

- If **mounting directly to the flat-panel**, insert four (4) M4 x 10mm screws from behind the front holes of the fixed tilt adapters and into the 100 x 100mm pattern of the flat-panel (see page 14).
- If **using an adapter plate**, insert four (4) M4 x 5mm screws from behind the front holes of the fixed tilt adapters and into the 100 x 100mm pattern of the adapter plate (see page 14).

If **No**, go to the “Selecting the Mounting Hardware” section.

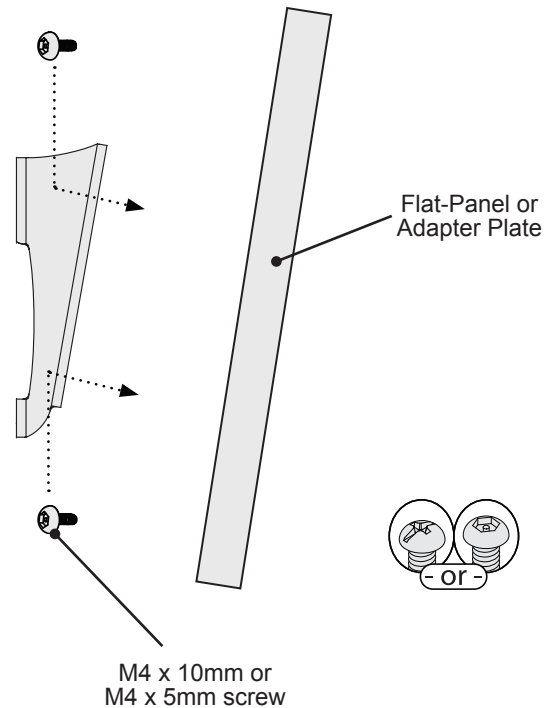


Do not overtighten the mounting hardware.



You can also attach the fixed tilt adapters upside down, i.e., for an upward tilt on a floor stage monitor stand.

Proceed to the “Selecting the Mounting Hardware” section.





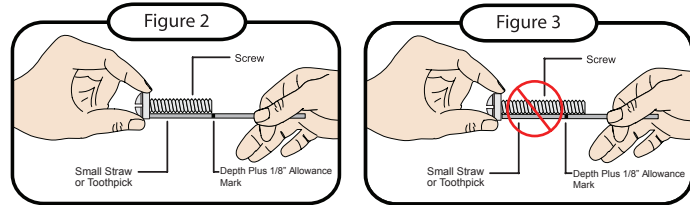
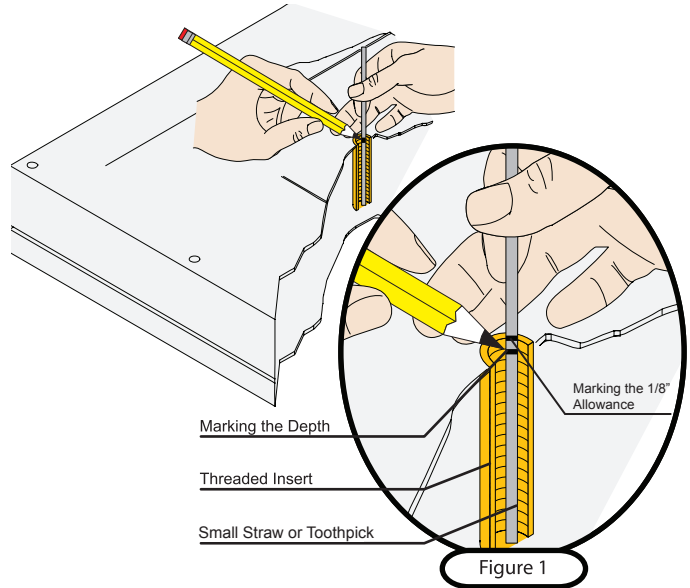
Selecting the Mounting Hardware

- 1) Insert a small straw or toothpick into the threaded inserts found on the back of the flat-panel.
- 2) Use a pencil to mark the depth of the threaded insert on the small straw or toothpick.
- 3) Mark the straw or toothpick 1/8" above the depth of the threaded insert, as shown in Figure 1.
- 4) Insert the small straw or toothpick into the remaining threaded inserts to compare and verify their depth using the straw or toothpick's 1/8" allowance mark.
- 5) Locate the correct diameter screw for the threaded insert.

! If the screw you selected is longer than the 1/8" allowance mark on the small straw or toothpick, as shown in Figure 2 and Figure 3, do not use this screw. The screw length must not bypass the mark.

- 6) Test each size of the screws provided.

The correct screws should thread easily into the mounting point and not pull out when tension is applied.



Proceed to the **“Universal Spacer Installation (Optional)”** section.

Universal Spacer Installation (Optional)

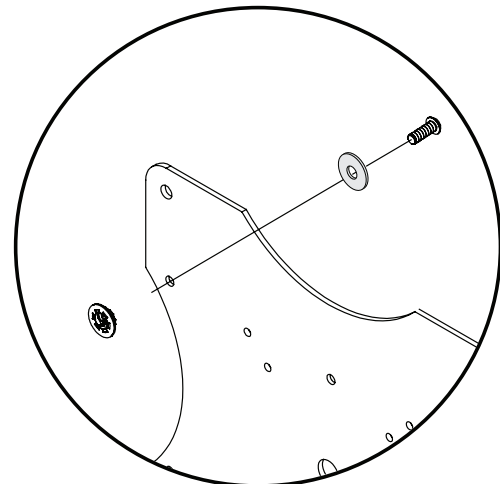
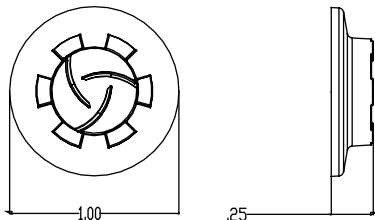
! If your flat-panel has uneven mounting points, or recessed mounting points, please use the provided universal spacers.

The universal spacer may be stacked six (1) high. It will fit M4, M5, M6 and M8 screws sizes.

The universal spacers must be placed between the attachment head/adapter plate and the flat-panel.

The universal spacers must be stacked in the direction shown to the right.

Proceed to the **“Installing the Adapter Plate (Optional)”** section.





Installing the Adapter Plate (Optional)

? What is the VESA pattern on your flat-panel?

- If **75 x 75mm** or **200 x 200mm**, proceed to the **75 x 75mm** or **200 x 200mm** section.
- If **200 x 100mm**, go to the **200 x 100mm** section on page 9.
- If **100 x 100mm**, go to the “Attaching the Flat-Panel to the VPM Mount” section on page 10.

The adapter plate has a 100mm x 100mm VESA pattern, but that is only for attaching the plate to the attachment head of the VPM.

75 x 75mm or 200 x 200mm

If you have a recessed mounting pattern, use the universal spacers to compensate for the indentation.

Attach the Adapter Plate to the back of the flat panel using the appropriate mounting hardware.

If you are using M4 or M5 screws, you must also use M4 or M5 washers.

Figure 1 shows a flat-panel using the 200mm x 200mm pattern. See Figure 2 for the 75mm x 75mm pattern (marked **E**).

Go to the “Attaching the Flat-Panel to the VPM Mount” section.

Optional fixed tilt adapters not shown.

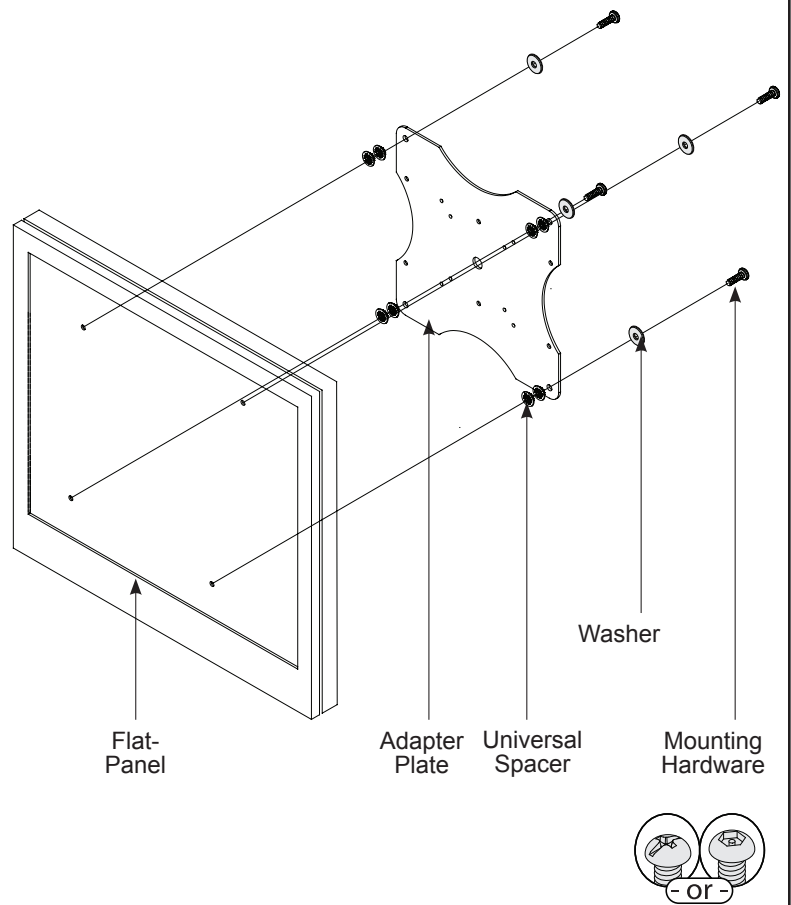


Figure 1

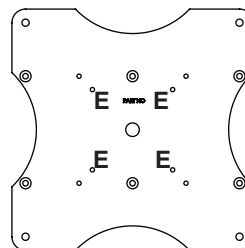


Figure 2



Installing the Adapter Plate (cont'd)

200 x 100mm

! If you have a recessed mounting pattern, use the universal spacers to compensate for the indentation.

Attach the VESA Adapter Plate to the back of the flat panel using six (6) M4 flat head screws (Figure 1).

See Figure 2 for a clearer view of the 200mm x 100mm pattern (marked **B**).

! **200mm x 100mm Mounting Pattern Installation**
 If using a 200 x 100mm mounting pattern to attach the VPM to your flat panel, you must use six (6) M4 flat head screws. Using pan combo screws for the 200mm x 100mm VESA plate may damage your flat panel.

Proceed to the “Attaching the Flat-Panel to the VPM Mount” section.

Optional fixed tilt adapters not shown.

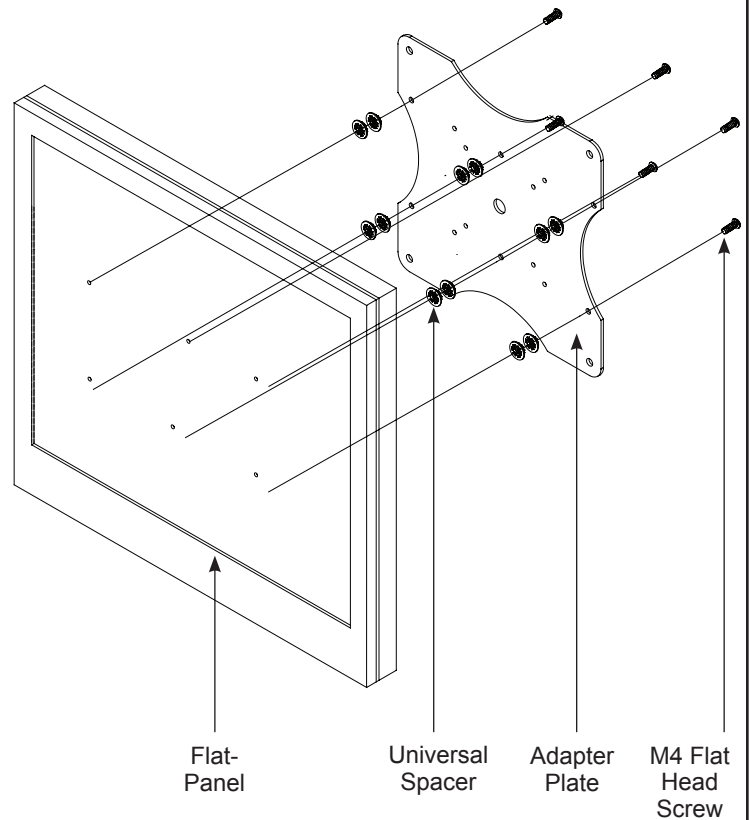


Figure 1

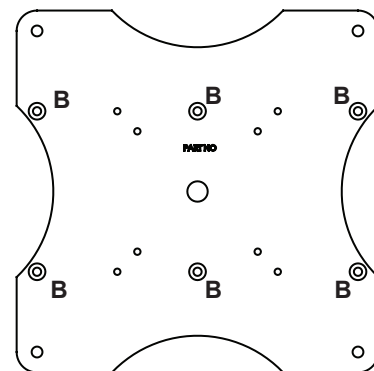


Figure 2



Attaching the Flat-Panel to the VPM Mount

Choose one of the following options.

Drawings not to scale.
Optional fixed tilt adapters not shown.

No Fixed Tilt Adapters

Are you attaching the VPM directly to the flat-panel, or are you using an adapter plate?

- If **directly to the flat-panel**, insert four (4) M4 x 10mm screws through the VPM attachment head and 100 x 100mm pattern of the flat-panel (see page 14) (Figure 1).
- If **using an adapter plate**, insert four (4) M4 x 5mm screws through the VPM attachment head and 100 x 100mm pattern of the adapter plate (see page 14) (Figure 1).



Do not overtighten the mounting hardware.

Proceed to the “Attaching the VPM Mount to a Pole” section.

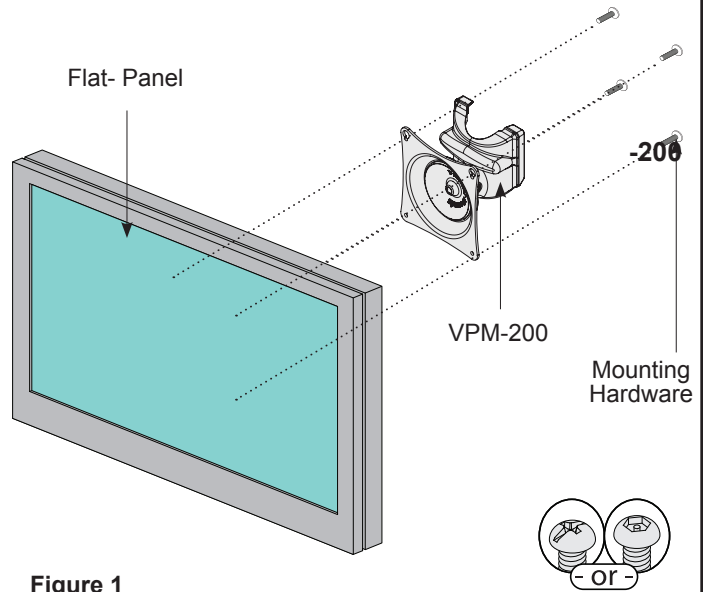


Figure 1

Using Fixed Tilt Adapters

Use four (4) M4 x 6mm pan combo screws to attach the VPM attachment head to the fixed tilt adapters (Figure 2).

Proceed to the “Attaching the VPM Mount to a Pole” section.

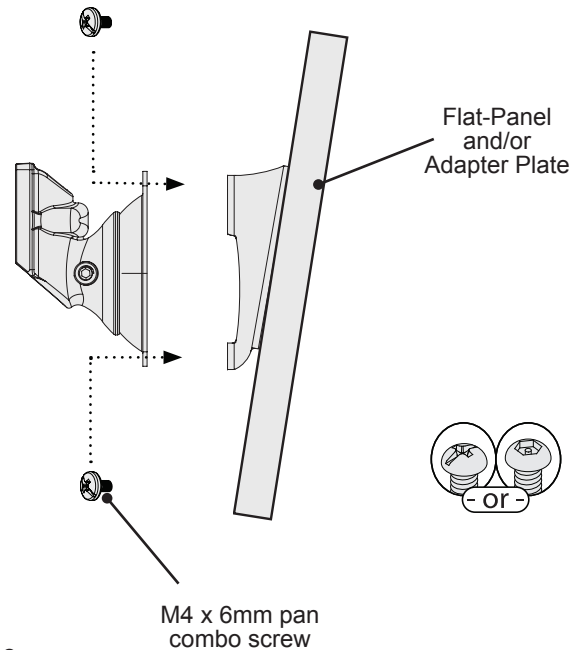


Figure 2



Attaching the VPM Mount to a Pole

Re-insert the M8 x 40mm hex screws or insert M8 x 40mm security screws into the two halves of the VPM to clasp them around the pole at the desired position (Figure 1).

Drawings not to scale.
Mounting hardware not shown.

- At least two qualified people are needed to attach the flat-panel and VPM to a pole.
- If you are using a 2" pipe, replace the M8 x 40mm hex screws with M8 x 60mm security screws (Figure 2).

Proceed to the "Adjusting the VPM Mount Tension" section.

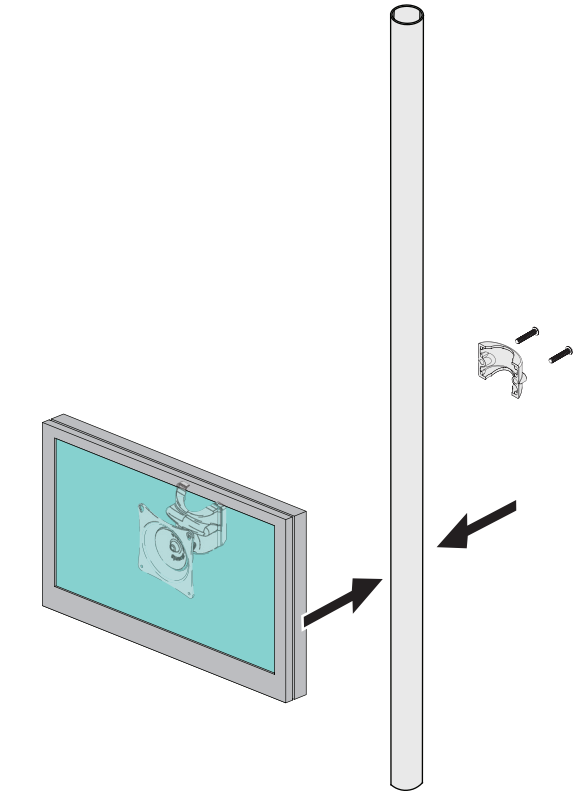
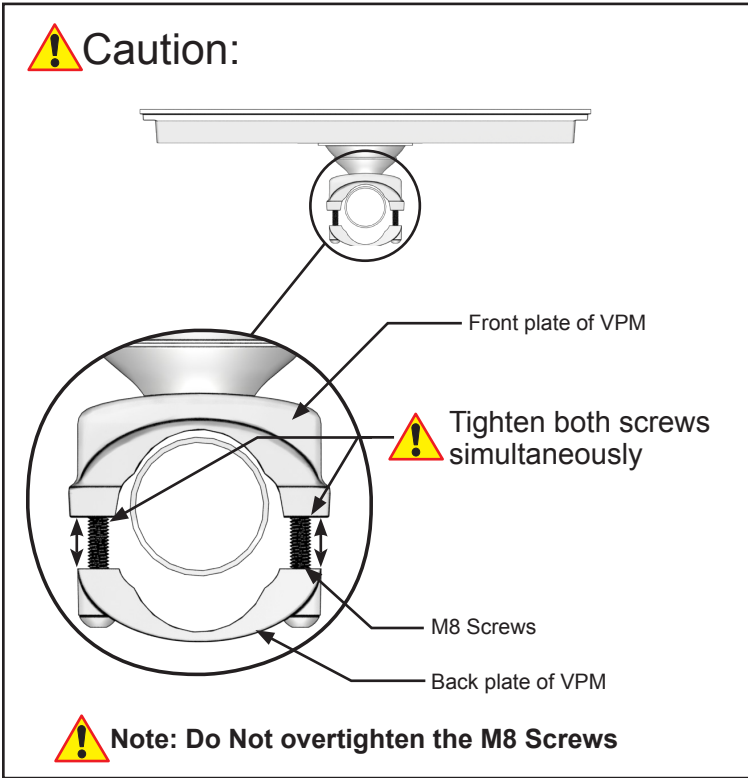


Figure 1

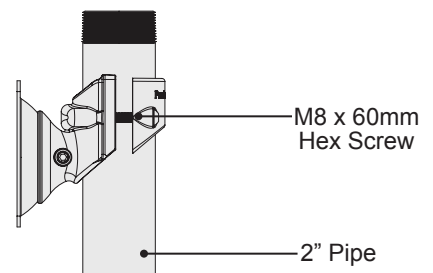



Figure 2

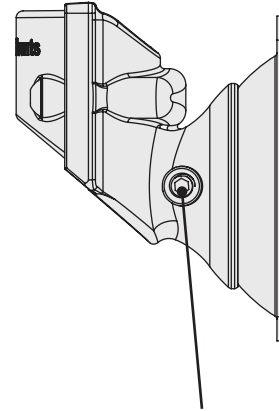


Adjusting the VPM Mount Tension

Your VPM ships from the factory pre-tensioned. However, you can fine-tune adjust the amount of pressure required to move the attachment head of the VPM.

Use the enclosed Allen wrench to adjust the tension by loosening or tightening the M10 set screws on each side of the VPM.

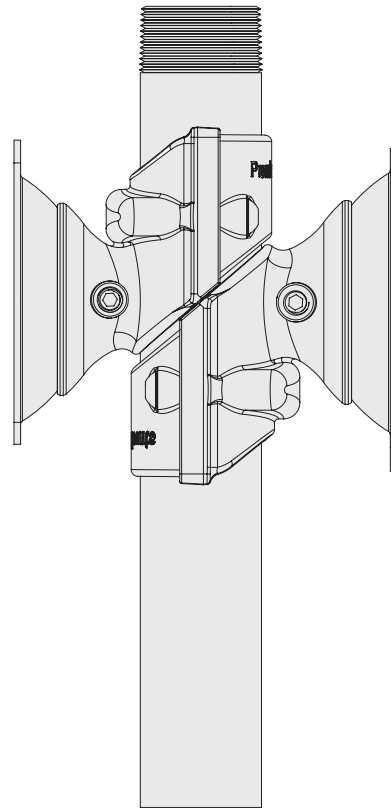
 **Do not overtighten or remove the set screws.**



M10 Set Screw

Installing Multiple VPMs (Optional)

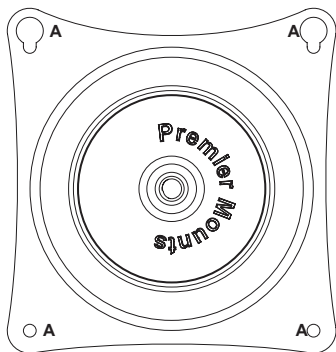
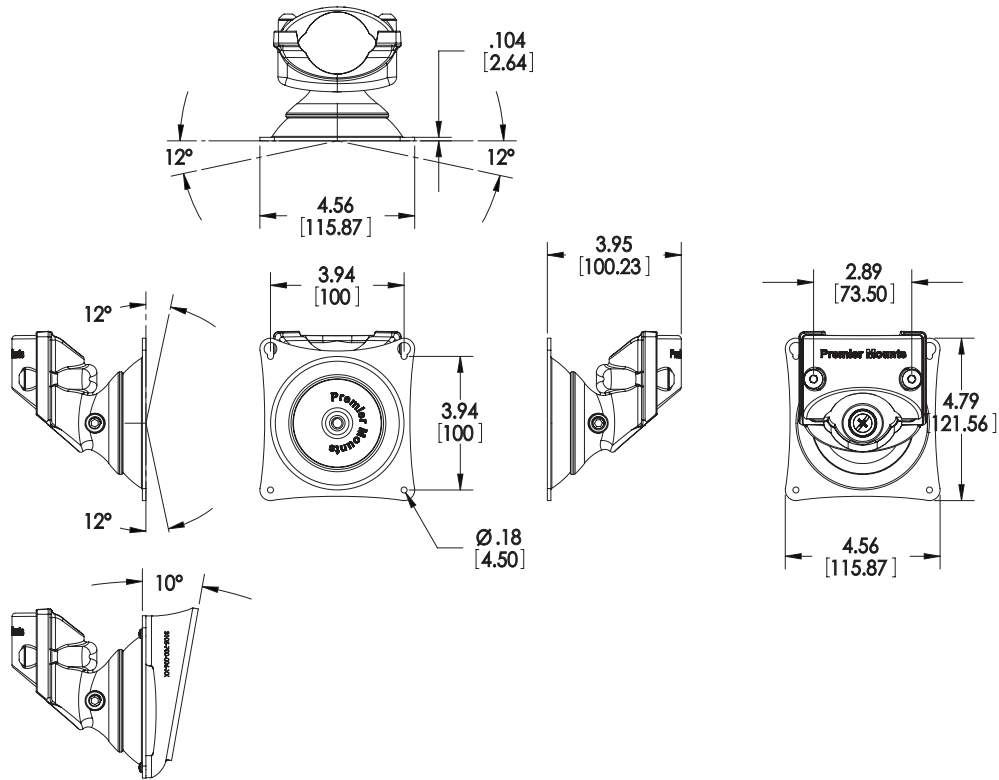
You can attach multiple VPM mounts to a pole, such as for back-to-back flat-panel installations.





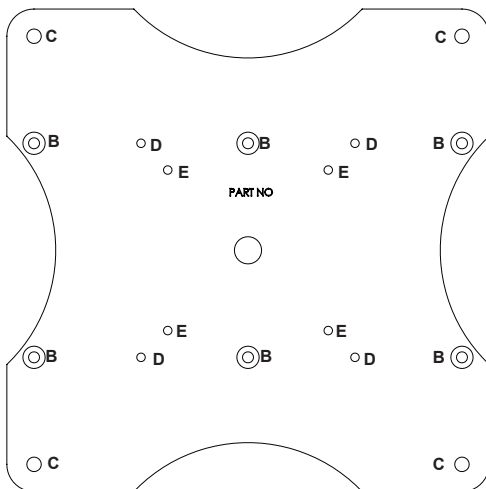
Technical Specifications

All measurements are in inches [millimeters].



Attachment Head Mounting Pattern

A: 100 x 100mm VESA pattern



Adapter Plate Mounting Patterns

- B. 200 x 100mm VESA pattern (M4 Phillips flat head screws only)
- C. 200 x 200mm VESA pattern
If an M4 or M5 is to be used, a M4 or M5 washer must also be used.
- D. 100 x 100mm VESA pattern
- E. 75 x 75mm VESA pattern



**PREMIER MOUNTS
LIMITED LIFETIME WARRANTY**

What and Who is Covered by this Limited Warranty and for How Long

Premier Mounts warrants this product to be free from defects in material and workmanship for the lifetime of the original owner of this product. The limited warranty is valid only for the original purchaser of the product.

What Premier Mounts Will Do

At the sole option of Premier Mounts, Premier Mounts will repair or replace any product or product part that is defective. If Premier Mounts chooses to replace a defective product or part, a replacement product or part will be shipped to you at no charge, but you must pay any labor costs.

What is Not Covered; Limitations

PREMIER MOUNTS DISCLAIMS ANY LIABILITY FOR DAMAGE TO MOUNTS, ADAPTERS, DISPLAYS, PROJECTORS, OTHER PROPERTY, OR PERSONAL INJURY RESULTING, IN WHOLE OR IN PART, FROM IMPROPER INSTALLATION, MODIFICATION, USE OR MISUSE OF ITS PRODUCTS.

PREMIER MOUNTS DISCLAIMS ALL OTHER WARRANTIES, EXPRESS OR IMPLIED, INCLUDING WARRANTIES OF MERCHANTABILITY AND FITNESS FOR A PARTICULAR PURPOSE. PREMIER MOUNTS IS NOT RESPONSIBLE FOR INCIDENTAL OR CONSEQUENTIAL DAMAGES, INCLUDING BUT NOT LIMITED TO, INABILITY TO USE ITS PRODUCTS OR LABOR COSTS FOR REMOVING AND REPLACING DEFECTIVE PRODUCTS OR PARTS. SOME STATES DO NOT ALLOW THE EXCLUSION OR LIMITATION OF INCIDENTAL OR CONSEQUENTIAL DAMAGES, SO THE ABOVE LIMITATION OR EXCLUSION MAY NOT APPLY TO YOU.

What Customers Must Do for Limited Warranty Service

If you discover a problem that you think may be covered by the warranty you MUST REPORT it in writing to the address below within thirty (30) days. Proof of purchase (an original sales receipt) from the original consumer purchaser must accompany all warranty claims. Warranty claims must also include a description of the problem, the purchaser's name, address, and telephone number. General inquiries can be addressed to Premier Mounts Customer Service at 1-800-368-9700. Warranty claims will not be accepted over the phone or by fax.

Premier Mounts
Attn: Warranty Claim
1321 S. State College Blvd.
Fullerton, CA 92831

How State Law Applies

THIS WARRANTY GIVES YOU SPECIFIC LEGAL RIGHTS, AND YOU MAY ALSO HAVE OTHER RIGHTS WHICH VARY FROM STATE TO STATE.

Disclaimer

Premier Mounts intends to make this manual accurate and complete. However, Premier Mounts makes no claim that the information contained herein covers all details, conditions or variations, nor does it provide for every possible contingency in connection with the installation or use of this product. The information contained in this document is subject to change without notice or obligation of any kind. Premier Mounts makes no representation of warranty, expressed or implied, regarding the information contained herein. Premier Mounts assumes no responsibility for accuracy, completeness or sufficiency of the information contained in this document.



205 Westwood Ave, Long Branch, NJ 07740
Phone: 866-94 BOARDS (26273) / (732)-222-1511
Fax: (732)-222-7088 | E-mail: sales@touchboards.com