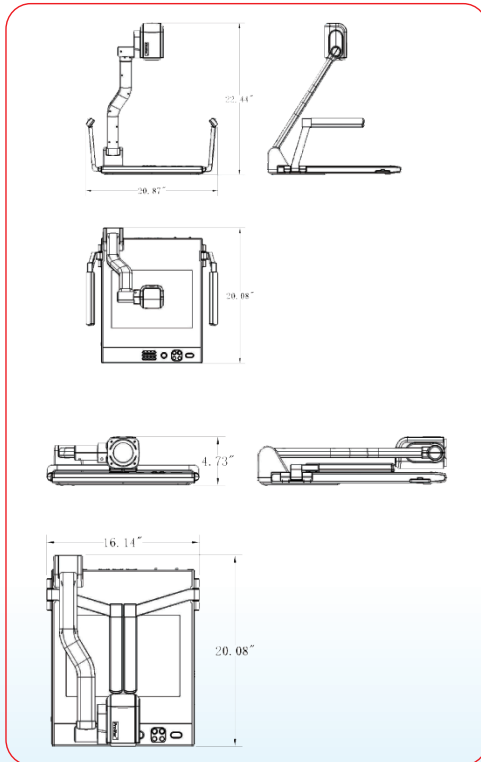


Specifications

| Features | QD3700 |
|---------------------------|--|
| Camera | |
| Image Sensor | 2.0M CMOS |
| Output Resolution | XGA, SXGA, WXGA, 720p |
| Optical Zoom | 12X |
| Digital Zoom | 10X |
| Input/Output | |
| Video Input - S-Video | 1 |
| Video Input - C-Video | RCA x 1 (can pass through to VGA output) |
| Video Input - VGA | 2 |
| Video Output - S-Video | 1 |
| Video Output - C-Video | 1 |
| Video Output - VGA | 2 |
| Video Scalar | Yes |
| Video Format | NTSC, PAL |
| Audio Input | 4 |
| MIC Input | 1/4" Jack |
| Audio Output | with VGA, C-Video, S-Video (Follow video input) |
| Imaging Features | |
| Negative | Yes |
| Freeze | Yes |
| Split | Yes |
| Title | Yes |
| Mirror | Yes |
| Rotation | 0, 90, 180, 270 |
| Image Scroll | Motorized Camera Head |
| White Balance | Full Size |
| Image Storage | 128 |
| PC Connectivity | |
| Driver | Plug-n-Play |
| Frame Rate | 15 fps |
| Connectivity | USB |
| OS Support | PC, MAC |
| Lighting | |
| Lighting | 2 x 1.5w LED Arm Lights |
| Light Box | 8x1/2" x 11" LED light B |
| Control | |
| RS232 Control | Yes |
| Remote Control | Yes |
| Color Adjustment | Yes |
| Brightness Adjustment | Yes |
| Video Scalar | Yes Built-in (converts S and C video input to VGA out) |
| Input Switching | Yes (Switches all video and audio inputs to VGA Out) |
| Focus Adjustment | Yes |
| Projector Power On/Off | Through RS232 to Projector |
| Projector Input Selection | Through RS232 to Projector |
| Others | |
| Operating Temperature | 32F - 104F |
| Instructional Sheet | Attached |
| Remote Control | Included |
| Form factor | Full Size |
| Dimensions | "Setup: 20.1"x20.9x22.4" Folded: 20.1"x16.1"x4.7" |
| Net Weight | 12 lbs |
| Power Input | 12V /4A AC/DC adaptor |
| Remote Control Battery | CR2032 Lithium |

Dimensions



Presentation System



QD 3700 Visualizer

Presentation power at your fingertips!



Functionality & Affordability

*Design and specifications are subject to change without notice.



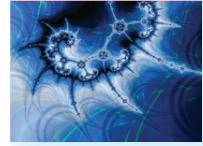
Touchboards 1-866-942-6273

205 Westwood Ave, Long Branch, NJ 07740

The QD3700 is the new standard for instructional presentations! Designed for the professional teacher, instructor, and presenter, the QD3700 offers a full set of features and capabilities that takes Document Cameras to a new level.

Standard Presentation Features

Sensing Element



The 2.0 Megapixel CMOS sensor is the heart of this new visualizer providing an unsurpassed high quality image.

Optical Zoom



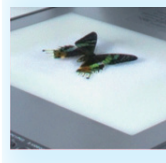
The lens of the camera provides a 12X optical zoom and a 10X digital zoom. Unlike its CCD counterpart, CMOS technology offers exceptional clarity without having to zoom as close as before. The result is pure clarity in your images.

Motorized Text Scrolling



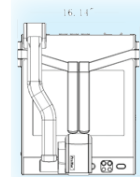
The QD3700 continues using QOMO's exclusive motorized camera head, allowing viewers to stay focused on the presentation rather than becoming disoriented from trying to find the right spot on the page.

Light Box



The full size A-4 backlit stage allows the use of full size transparencies, X-rays, and photographic negatives without running out of room.

Full Size Platform



The QOMO's unique full size platform offers a large work surface with a low profile design. This allows various presentation materials to be placed together along with providing easy handwriting access.

RS232 Control

RS232 controls are available to allow the users to conveniently control an external device such as a projector with push of a button. Users can also perform most of the built-in visualizer functionalities via an RS232 cable. This offers unlimited possibilities for integration.

Highlighted Features

Negative

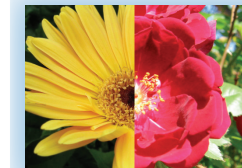


When working with the built-in light box, the negative feature can turn negative films, X-rays, transparencies, and slides into positive images.

Mirror

Mirror allows users to demonstrate objects that are mirrored or rotated along a vertical axis making an otherwise difficult task a breeze. Math and Physics teachers love it!

Split



Use the split function to create a side-by-side comparison with previously stored image through "Freeze" function. This precise way of comparison offers strong visual contrast for any differences between the images.

Freeze

Users can leave a still image on the projector without having to worry about how fast and neatly they can make the transition to the next object. This is a perfect way to change presentation materials and to avoid disorientating the audience. This also provides a great A-B comparison coupled with the Split function.

Title



The Title function allows users the ability to freeze the top 1/8 of the screen as a title. The subsequent images will be more organized.

Rotation

This feature digitally changes the orientation the image without physically realigning the object

Capture the Magic!

Using the USB connection, you can capture your images as .JPG images and record your work as an .AVI movie! The Plug-n-play connectivity allows you to use the QD3700 with any interactive products you may have already.



Affordable Integration!

The QD3700 Visualizer is its own integrated system. It features 2 RGB inputs with audio, 2 video inputs with audio, and the ability to switch between these inputs through a single cable. This allows the presenter to focus on the business of presenting. The QD3700 also has RS232 connectivity, allowing you to control this Visualizer as part of a system or allowing you to control your projector from the Visualizer itself!

